

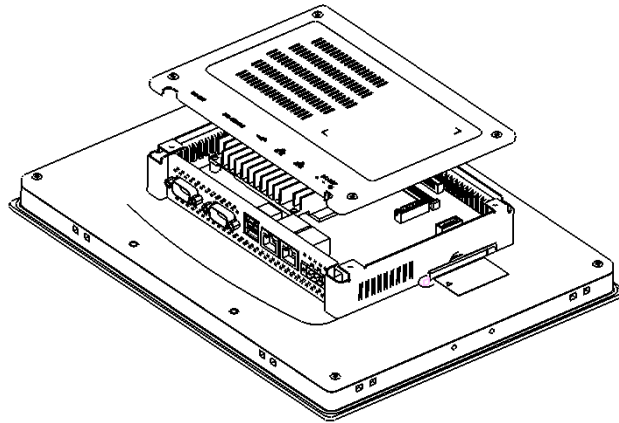
## **TPC-651H-EHKE HDD Bracket Installation Guide**

Below are instructions for assembling standard Hard Drive to Advantech's HDD bracket in TPC-1250H/1550H/1750H (applied in B version only) & TPC-651H/1251H/1551H series products.

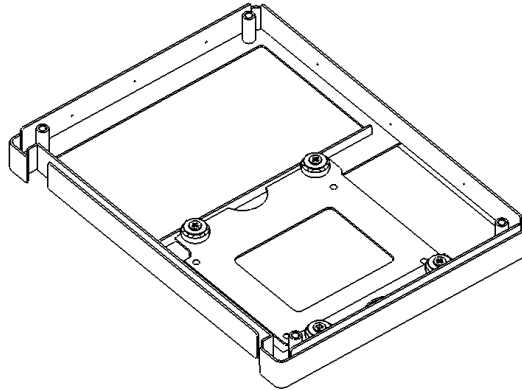
**Notes: Extended temperature HDD recommended when the ambient temperature > 45 degree C.**

This example is from TPC-1251H.

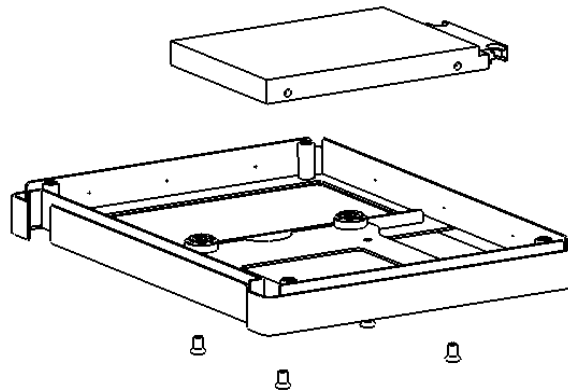
1. Remove the rear cover of the TPC-1251H.



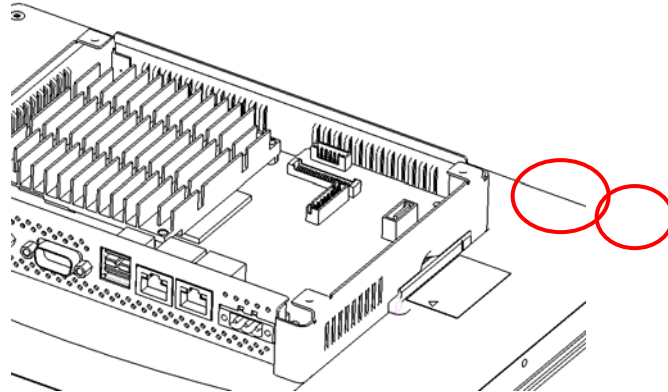
2. Take the HDD bracket holder from the product assembly box.



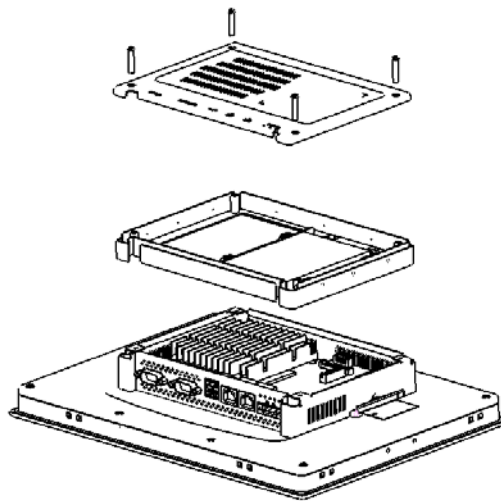
3. Connect the HDD cable, power cable and insert the HDD to the holder. And then lock the screws.



4. Connect the HDD cable and power cable to the motherboard.



5. Place the HDD holder on the rear cover on the TPC-1251H and lock the four screws.



6. After locking the screws, installation is complete.

