

## IPPC-9151&9171 Series Mounting Installation Guide

### Panel Mounting Setup Guide

Follow these procedures to set up the panel mounting bracket:

1. Take the four mounting brackets out of the accessory box.
2. Attach the four mounting brackets by inserting the screws into the keyhole slots on the cover of the monitor.
3. Use the screws to secure the brackets to the cover. Tighten the screws to secure the monitor to the back panel.



**Note!** Panel's maximum thickness is 5 mm.

### Rack Mounting Setup Guide

The custom rack mounting package of IPPC-9000 series is designed to help users install the computer on the mounting bracket perfectly.

#### Order Information

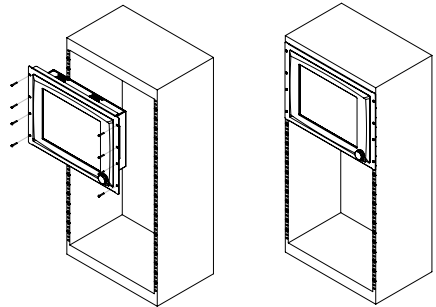
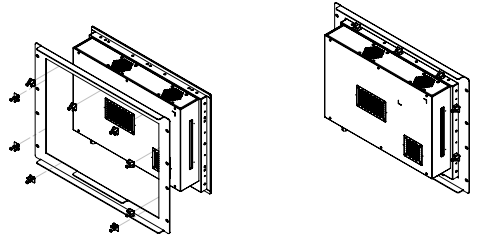
Description	Ordering Part Number
IPPC-9000 Rack mount Kit	IPPC-9151G-RMKE

**Note** Only the IPPC-9151 series need rack mount kits.

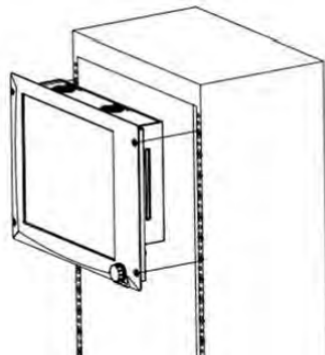
### Rack Mounting Setup Guide

Follow these instructions to set up the rack mounting bracket

1. Attach the IPPC-9151G-RMKE rack mounting bracket to the computer from rear to front.
2. Fasten the bracket to the computer with 9 panel bracket-clamps included in the accessory box.
3. Secure the mount to the rack with the included screws.



The IPPC-9171G can be directly mounted to a 19" industrial rack. To do this, remove the rubber on the panel.



For more information on this and other Advantech products, please visit our website at:

<http://www.advantech.com>

For technical support and service, please visit our support website at:

<http://www.advantech.com/support>

This manual is for the IPPC-9151G/9171G Series..

Part No. 2003915150  
Printed in China

1st Edition,  
July 2013

## IPPC-9151&9171系列 安装指南

### 面板安装指南

请按照以下步骤安装面板支架：

1. 从附件盒中取出4个安装支架。
2. 将螺丝插入显示器盖的孔位中，从而将4个安装支架放置好。
3. 用螺丝将支架固定在显示器盖上，然后旋紧逻辑将显示器固定在面板上。



注！ 面板的最大厚度为5 mm.

### 机架安装指南

IPPC-9000系列的定制化机架安装包旨在帮助用户将计算机与机架进行完美安装。

订购信息

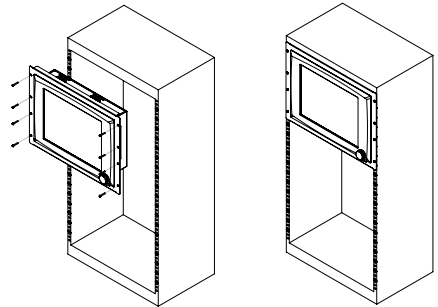
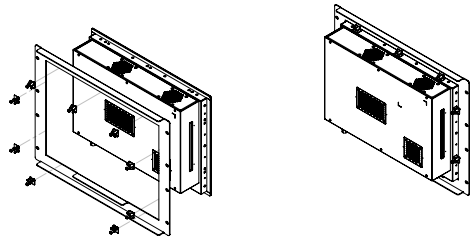
说明	订购产品型号
IPPC-9000 Rack mount Kit	IPPC-9151G-RMKE

注 仅IPPC-9151系列需要机架安装套件。

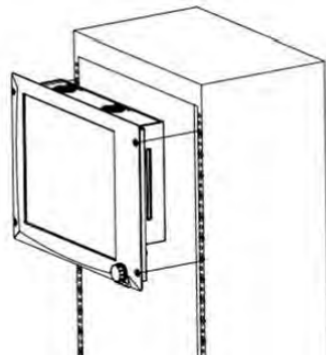
### 机架安装指南

请按照以下步骤进行安装：

1. 将IPPC-9151G-RMKE机器固定支架从机器的后面方向套在前面框上，
2. 用附件盒中的9 pcs面板支架定位器将机器固定支架与机器锁附固定，
3. 用螺丝将整个机器固定支架锁附在机架上。



IPPC-9171G可以直接安装至19"工业机架上。移除面板上的机架锁孔位的橡胶盖，然后，直接将机器用螺丝锁附在机架上。



有关本产品及研华公司其它产品的信息，请访问我们的网站：

<http://www.advantech.com>

如需技术支持与服务，请访问我们的技术服务网站：

<http://www.advantech.com/support>

本手册适用于IPPC-9151G/9171G系列产品。

料号：2003915150  
中国印刷

第一版，  
2013年7月