

# FPM-715 FPM-717 FPM-719

## 15" XGA/17" SXGA/19" SXGA Industrial Monitors with Resistive Touch Control, Direct HDMI, DP, and VGA Ports



### Features

- 17" SXGA TFT LED LCD with 50,000 backlight lifetime
- 15" XGA/19" SXGA TFT LED LCD with 70,000 backlight lifetime
- Direct HDMI, DP and VGA input interfaces
- Anti-glare screen with tempered glass
- Robust system with Die-casting aluminum chassis and IP66-rated aluminum alloy front bezel
- Lockable I/O connectors
- Slim design enables easy installation
- OSD control buttons with 2 user-defined contrast/brightness controls
- Combo RS-232 & USB interface for touchscreen functionality
- Supports various mount options: panel, wall, desktop, rack or VESA arm mounting

### Introduction

In IIoT and Industry 4.0, more and more customers need data to be visualized to help process management and decision making. The FPM-700 series comprises 15", 17" and 19" industrial-grade monitors with sleek, simple lines and a true-flat touchscreen. Equipped with durable 5-wire resistive touchscreen and an IP66-rated front bezel, FPM-700 series is specifically designed for industrial applications. Moreover, FPM-700 series support a wide operating temperature range (-20 ~ 60 °C/-4 ~ 140 °F) and various mount options to make these monitors ideal for factory and machine automation display applications.

### Specifications

#### General

- **Certification** BSMI, CCC, CE, FCC Class A, UL
- **Dimensions (W x H x D)**
  - FPM-715: 383.2 x 307.3 x 50 mm (15.08 x 12 x 1.96 in)
  - FPM-717: 410.4 x 343.4 x 51 mm (16.15 x 13.5 x 2 in)
  - FPM-719: 454 x 379.8 x 48.5 mm (17.87 x 14.9 x 1.9 in)
- **Enclosure** Front panel: Die cast magnesium alloy  
Rear cover: Die-casting aluminum
- **Mount Options** Stand, Wall, Panel and VESA arm (75 x 75mm)
- **Power Input** Terminal Block: 24 V<sub>DC</sub> input
- **Video Port** HDMI, DP, and VGA
- **USB** Rear I/O USB 2.0 type A
- **Weight (Net)** 4.6 kg / 5.4 kg / 6.2 kg

#### Power Consumption

- **FPM-715-R9AE** 1.03 (Standby), 9.88 (Max)
- **FPM-717-R9AE** 1.05 (Standby), 14.55 (Max)
- **FPM-719-R9AE** 1.04 (Standby), 15.44 (Max)

#### LCD Display

- **Display Type** XGA/SXGA/SXGA TFT LCD
- **Display Size** 15"/17"/19"
- **Max. Resolution** 1024 x 768/1280 x 1024/1280 x 1024
- **Max. Color** 16.2M/16.7M/16.7M
- **Viewing Angle (H/V °)** 176/176, 170/160, 170/160
- **Luminance (cd/m<sup>2</sup>)** 300/350/350
- **Backlight Life** 70,000/50,000/70,000 hr
- **Contrast Ratio** 2000:1/1000:1/1000:1

#### Touchscreen

- **Type** 5-wire analog resistive
- **Interface** USB/RS232
- **Light Transmission** Above 75%
- **OS Support** Windows XP, Vista, 7, 8, 10, 11, XPe and Linux
- **Surface Hardness** 3H/3H/4H

#### Environment

- **Operating Temperature** -20 ~ 60 °C (-4 ~ 140 °F)
- **Storage Temperature** -30 ~ 70 °C (-22 ~ 158 °F)
- **Relative Humidity** Operating, 95% RH @ 40 °C, Non-Condensing  
Non-Operating, Operating, 95% RH @ 60 °C, Non-Condensing
- **IP Rating** IP-66 graded front panel
- **Vibration** 5 ~ 500 Hz, 1 Grms (Operating, Random)

### Ordering Information

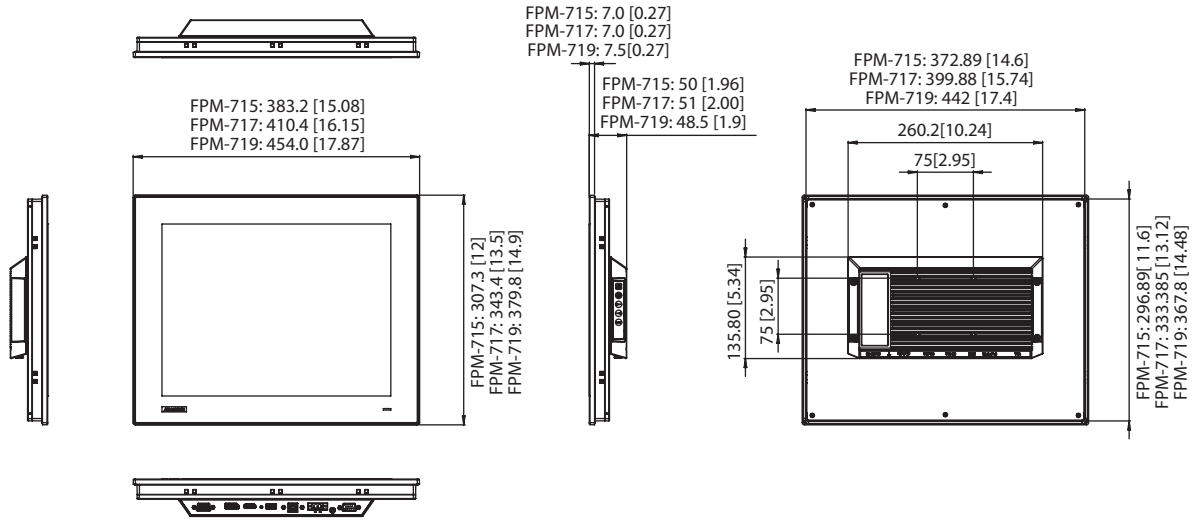
- **FPM-715-R9AE** 15" XGA Ind. Monitor,w/Resistive TS (24 V<sub>DC</sub>)
- **FPM-717-R9AE** 17" SXGA Ind. Monitor,w/Resistive TS (24 V<sub>DC</sub>)
- **FPM-719-R9AE** 19" SXGA Ind. Monitor,w/Resistive TS (24 V<sub>DC</sub>)

### Optional Accessories

- **1702002600** Power Cable US Plug 1.8 M
- **1702002605** Power Cable EU Plug 1.8 M
- **1702031801** Power Cable UK Plug 1.8 M
- **1700000596-11** Power Cable China/Australia Plug 1.8 M
- **PWR-247-DE** Adapter 100-240V 60W 24V 2.5A
- **FPM-1000T-SMKE** Desktop/Wall Mounting kit for FPM series
- **FPM-715-RMKE** FPM-715 Rack-Mount Kit
- **FPM-717-RMKE** FPM-717 Rack-Mount Kit
- **FPM-719-RMKE** FPM-719 Rack-Mount Kit
- **FPM-7000G-ADKE** Mounting bracket of adapter for FPM-7000 (Note: Only 17" and 19" supported)

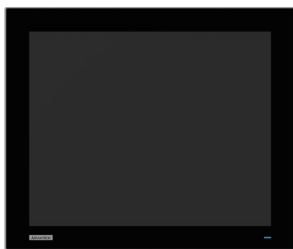
**Dimensions**

Unit: mm [inch]



**Panel Cutout Dimensions:** FPM-715: 374.5 x 298.5 mm (14.74 x 11.75 in)  
 FPM-717: 401.3 x 334.8 mm (15.8 x 13.18 in)  
 FPM-719: 443.5 x 369.3 mm (17.46 x 14.53 in)

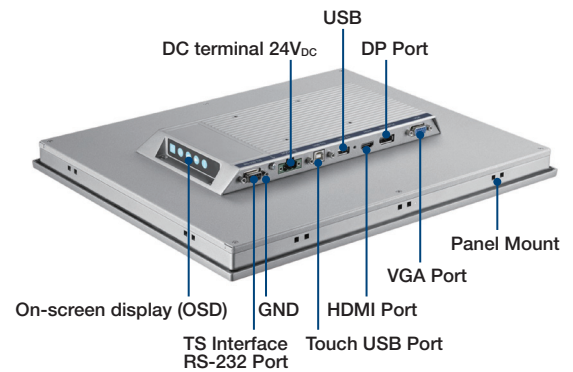
**Front View**



**Rear View**



**Side View**



**Packing List**

Item	Part No.	Description	Qty	Note
Terminal Block	1652007930-01	Plug-In Block 1x3P/5.08mm/PA66/F/VA/Sn/GR/H15.0	1	
Clamper	1962055040	CLAMPER PPC-55 M1632611 A2	10	19": 12pcs
Clamper screw	1935042520	Screw M4x25L R/S D=8.3 H=2.5 (2+) ST BZn	8	
GND cable	1703011001-11	A Cable G-TEM 4.3 100CM C=GR/Y	1	
USB touch Cable	1700017851-01	M Cable USB-A 4P(M)/USB-B 4P(M) 169CM (BK)	1	
VGA Cable	1700021332-11	M CABLE D-SUB 15P(M)/D-SUB 15P(M) 180CM VESA B1	1	
HDMI and DP lockable kit	1920002225-01	Nut M3 D=6.5 H=2.5 ST lockable for UNO-2271G	4	
HDMI and DP lockable kit	1930007462-01	Screw M3*55.2L - H=6.8 lockable for UNO-2271G	1	
HDMI and DP lockable kit	1990028810S000	Lock stopper (FWI-8CM-N2B)for UNO-2271G	2	