

Chapter 2

Mounting Methods

Sections include:

- Panel Mounting
- Wall Mounting
- Desktop Stand Mounting
- VESA Mounting
- Power Adapter Bracket Mounting (Optional)

2.1 Mounting the Monitor / Monter le Moniteur

The FPM-200 series can be mounted in many different ways. The versatility of the FPM-200 enables it to be mounted on your desk or anywhere else.

La série FPM-200 peut être montée de différentes manières. La polyvalence du FPM-200 lui permet d'être monté sur votre bureau ou ailleurs.

2.1.1 Panel Mounting / Montage Sur Panneau

If you need to install the FPM-212/215/217/219 series in a panel, release the mounting brackets by detaching 4 screws on rear side and fix them on the top and bottom with screws. To implement the panel mount completely, it requires 10 clampers with M4 * 25mm screws.

Si vous devez installer la série FPM-212/215/217/219 dans un panneau, libérez les supports de fixation en détachant 4 vis situées à l'arrière et fixez-les en haut et en bas à l'aide de vis. Pour réaliser complètement le montage sur panneau, il faut 10 pinces avec M6 * 21mm des vis.

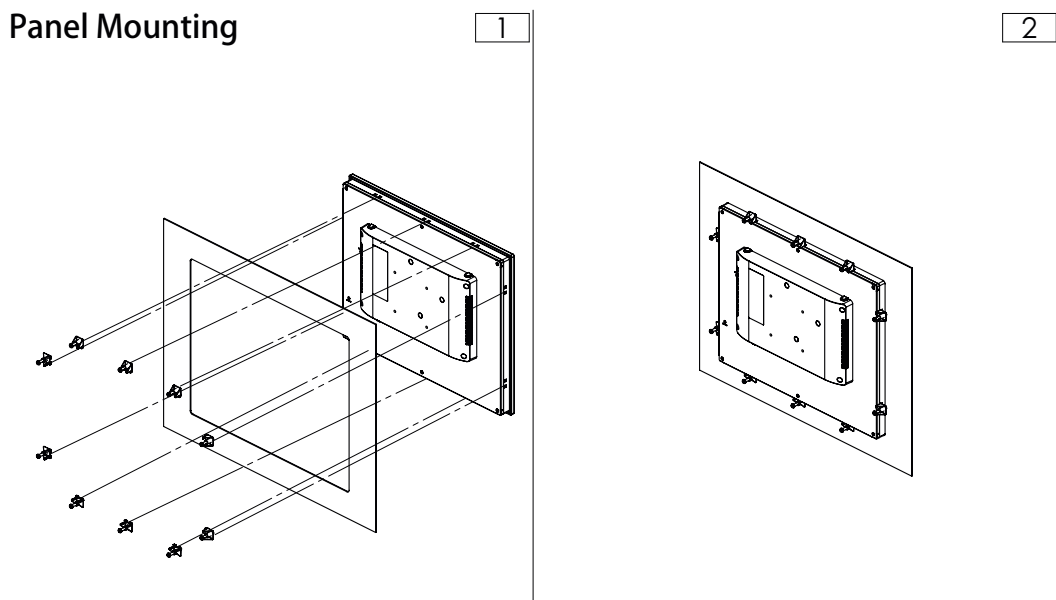


Figure 2.1 Panel Mounting

Panel Mounting

10 clampers with M4 * 25mm screws.

Diameter of screw = M4 min.

Length of screw = 25.0 min.

Montage sur panneau

10 pinces avec vis M4 * 25 mm.

Diamètre de la vis = M4 min.

Longueur de la vis = 25.0 min.

2.1.2 Wall Mounting / Montage mural

If you need to install the FPM-212/215/217/219 in the wall, you can use FPM-1000T mounting kit which is offered as an optional accessory for FPM-212/215/217/219. You need to secure this metal bracket to the wall first then fasten the FPM-212/215/217/219 with the included screws. The metal bracket holds the FPM-212/215/217/219 to the wall to complete the wall mounting.

Please refer to Figure 2.2 and follow the following steps to mount FPM-212/215/217/219 on a wall:

Si vous devez installer la série FPM-212/215/217/219 dans le mur, vous pouvez utiliser le kit de montage FPM-1000T qui est proposé comme accessoire optionnel pour FPM-212/215/217/219. Vous devez d'abord fixer ce support métallique au mur, puis fixer le FPM-212/215/217/219 avec les vis incluses. Le support métallique maintient le FPM-212/215/217/219 au mur pour terminer le montage mural.

Veillez vous référer à la figure 2.2 et suivre les étapes suivantes pour monter le FPM-212/215/217/219 sur un mur:

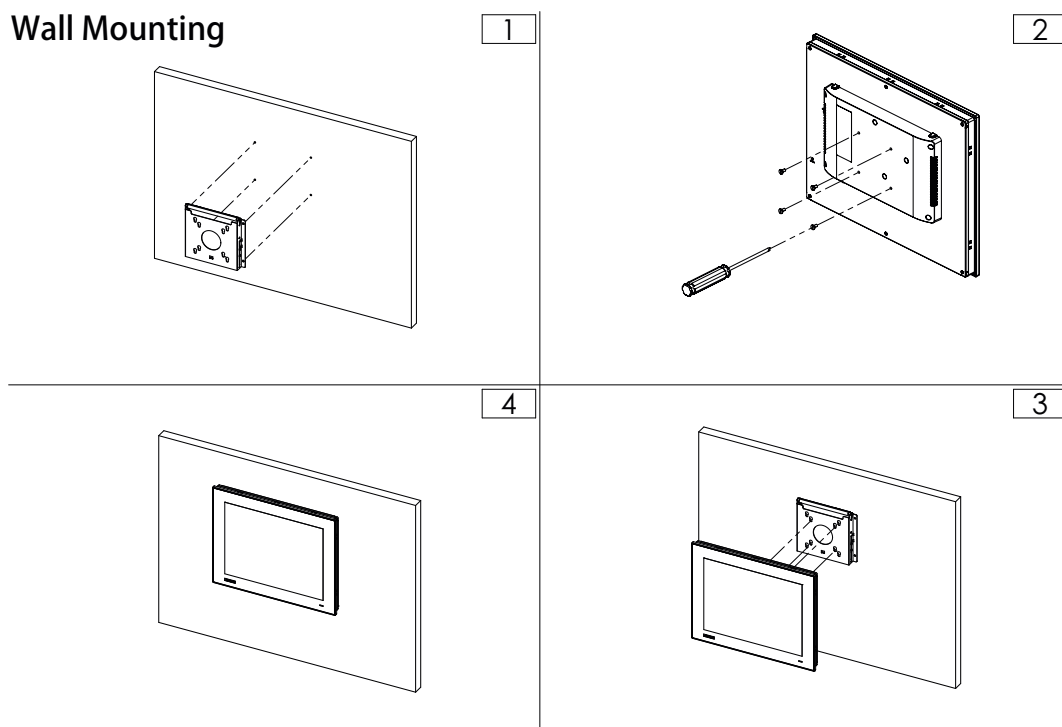


Figure 2.2 Wall Mounting

Wall Mounting

Screw to fix mounting kit

Diameter of screw = M4.

Length of screw = 6-10 mm

Montage mural

Vis pour fixer le kit de montage

Diamètre de vis = M4.

Longueur de vis = 6-10 mm

2.1.3 Desktop Stand Mounting / Montage du support de bureau

If you have to opted for the desk mount stand, you can use FPM-1000T mounting kit and secure the stand with 2 x M4 screws to the desk for attachment of the mount to the FPM-212/215/217/219.

(Note: FPM-1000T Mounting kit is offered as an optional accessory for FPM-212/215/217/219.)

Si vous devez opter pour le support de montage sur bureau, vous pouvez également utiliser le montage FPM-1000T kit et fixer le support avec 2 vis M4 au bureau pour la fixation du support au FPM-212/215/217/219.

(Note: Le kit de montage FPM-1000T est proposé comme accessoire optionnel pour le FPM-212/215/217/219.)

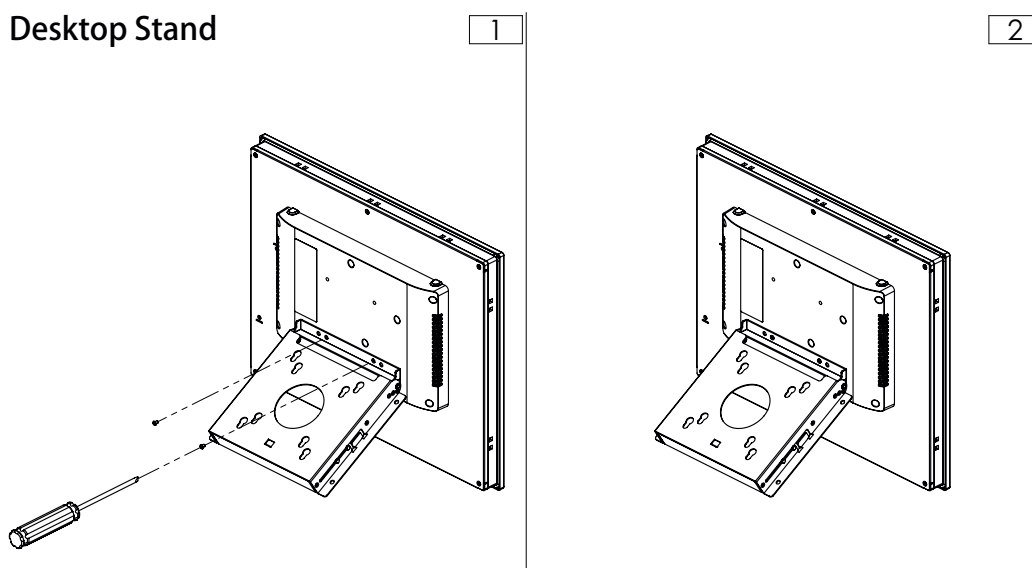


Figure 2.3 Desktop Stand Mounting

Desktop Stand Mounting
Screw to fix mounting kit (2 pcs)
Diameter of screw = M4.
Length of screw = 6-10 mm

Montage du support de bureau
Vis pour fixer le kit de montage (2 pièces)
Diamètre de vis = M4.
Longueur de vis = 6-10 mm

2.1.4 VESA Mounting / Montage VESA

If VESA mounting is preferred, FPM-212/215/217/219 is a VESA MIS-D, 75, C compliant display equipped with 75 x 75 mm square hole pattern, use M4 screws for attachment of the mount to the FPM-212/215/217/219.

Si le montage VESA est préférable, le FPM-212/215/217/219 est un écran conforme à la norme VESA MIS-D, 75, équipé de perforations carrées de 75 x 75 mm. Utilisez des vis M4 pour fixer le support au FPM-212/215/217/219.

VESA Mounting

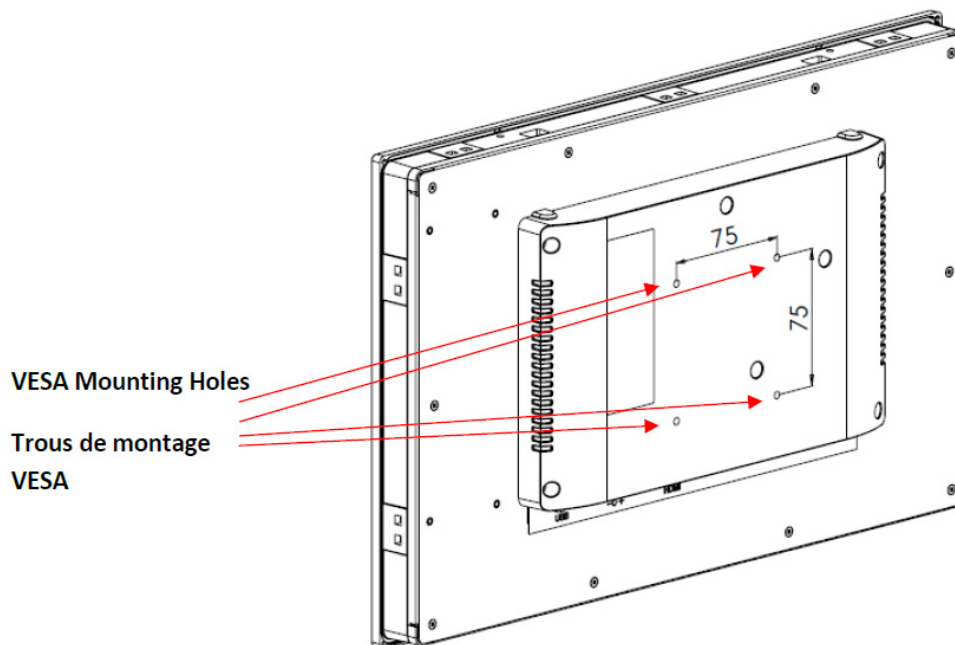


Figure 2.4 VESA Mounting

Warning! Use suitable mounting apparatus to avoid risk of injury.



Remarque! Utiliser un appareil de montage approprié pour éviter tout risque de blessure.



Warning! VESA screw mounting specifications: M4. Depth of the screw hole: 6 mm(Max.).



Remarque! Spécifications de montage de la vis VESA: M4. Profondeur du trou de vis: 6 mm (max.).

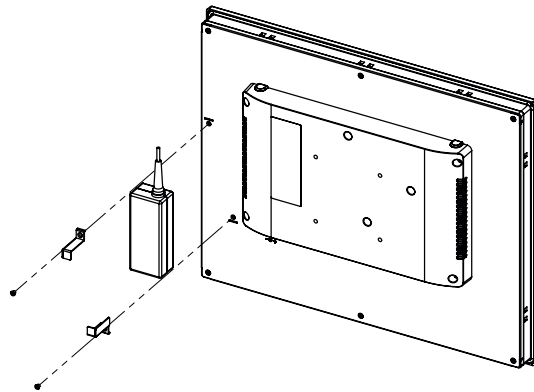


2.1.5 Power Adapter Bracket Mounting (Optional)

To secure and avoid the power adaptor from hanging, a metal bracket is offered as an optional accessory for FPM-215 and FPM-217. This metal bracket can be mounted on the back of the monitor in 2 simple steps:

Adaptor bracket Installation guide

1



2

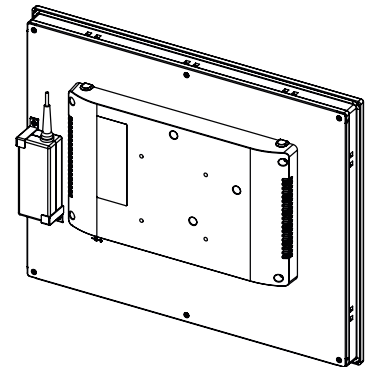


Figure 2.5 Power Adapter Bracket Mounting

1. Place the metal bracket on top of the power adapter and position it against the dedicated holes
2. Secure the metal bracket with the included screws and metal bracket installation is complete

Never open the equipment. This equipment must be installed and removed by a trained skilled person.

Recommendations for maximum cable distance and wire:

Single copper or multi-core copper wire, at 80° C.

Wire range 12-24 AWG.

Wire strip length: 4-5 mm.

Screw torque 7.0 lb-inch.

Appendix **A**

Touchscreen

A.1 Introduction

The FPM-212/215/217/219 touchscreen uses advanced 5-wire resistive technology. It provides more accurate sensing capacity than other technologies. The touchscreen is specially designed for tough industrial environments, and has been approved to FCC Class A standards.

A.2 Touchscreen Specifications (12"/15"/17"/19")

A.2.1 Typical Optical Features

Specification	12"	15"	17"	19"
Light Transmission			Above 75%	
Haze			< 1%	

A.2.2 Electrical Specifications

Specification	12"	15"	17"	19"
Operation Voltage			5.5 V or below	
Contact Current			70 mA (Maximum)	

A.2.3 Environment Specifications

Specification	12"	15"	17"	19"
Operating Temperature			0 ~ +50°C	
Storage Temperature			-20 ~ +60°C	
Humidity			10%~95%, non-condensing	

A.3 Installing Driver for Windows OS

The touchscreen has drivers for Windows 7/8/10 and ADV Linux users. The FPM-212/215/217/219 series need to install Penmount 6000 driver. Please go to below website to download the Penmount 6000 driver then install the driver onto your system.

https://support.advantech.com/support/new_default.aspx

A.4 LED Function

Table A.1: LED Function

ON	Blue
StandBy	Orange
No Signals	Orange

www.advantech.com

Please verify specifications before quoting. This guide is intended for reference purposes only.

All product specifications are subject to change without notice.

No part of this publication may be reproduced in any form or by any means, electronic, photocopying, recording or otherwise, without prior written permission of the publisher.

All brand and product names are trademarks or registered trademarks of their respective companies.

© Advantech Co., Ltd. 2021