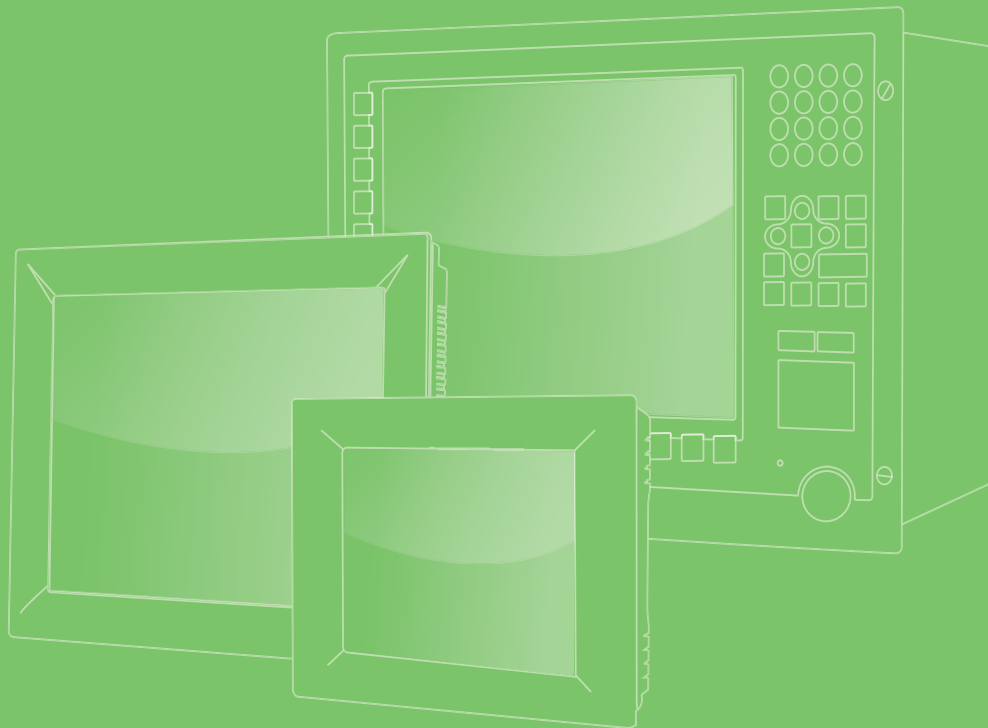


User Manual



FPM-800S Series

Industrial Monitor with Resistive
Touch Control, Direct VGA, DP
Ports and 304 Stainless Steel
Front Bezel

顯示器

ADVANTECH

Enabling an Intelligent Planet

VICPAS
HMI Parts Center

限用物質含有情況標示聲明書

Declaration of the Presence Condition of the Restricted Substances Marking

設備名稱： Equipment name		型號（型式）：FPM-815S-R6AE Type designation (Type)				
單元 Unit	限用物質及其化學符號 Restricted substances and its chemical symbols					
	鉛 Lead (Pb)	汞 Mercury (Hg)	鎘 Cadmium (Cd)	六價鉻 Hexavalent chromium (Cr ⁺⁶)	多溴聯苯 Polybrominated biphenyls (PBB)	多溴二苯醚 Polybrominated diphenyl ethers (PBDE)
電路板	—	○	○	○	○	○
液晶面板	—	○	○	○	○	○
內外殼 (外殼、內部 框架…等)	○	○	○	○	○	○
其它固定組件 (螺絲、夾 具、卡榫)	—	○	○	○	○	○
線材	—	○	○	○	○	○
觸控模組	—	○	○	○	○	○
<p>備考 1. “超出 0.1 wt %” 及 “超出 0.01 wt %” 係指限用物質之百分比含量超出百分比含量基準值。 Note 1: “Exceeding 0.1 wt %” and “exceeding 0.01 wt %” indicate that the percentage content of the restricted substance exceeds the reference percentage value of presence condition.</p> <p>備考 2. “○” 係指該項限用物質之百分比含量未超出百分比含量基準值。 Note 2: “○” indicates that the percentage content of the restricted substance does not exceed the percentage of reference value of presence.</p> <p>備考 3. “—” 係指該項限用物質為排除項目。 Note 3: The “?” indicates that the restricted substance corresponds to the exemption.</p>						

設備名稱:		型號 (型式): FPM-817S-R6AE				
Equipment name		Type designation (Type)				
單元 Unit	限用物質及其化學符號 Restricted substances and its chemical symbols					
	鉛 Lead (Pb)	汞 Mercury (Hg)	鎘 Cadmium (Cd)	六價鉻 Hexavalent chromium (Cr ⁺⁶)	多溴聯苯 Polybrominated biphenyls (PBB)	多溴二苯醚 Polybrominated diphenyl ethers (PBDE)
電路板	—	○	○	○	○	○
液晶面板	—	○	○	○	○	○
內外殼 (外殼、內部 框架…等)	○	○	○	○	○	○
其它固定組件 (螺絲、夾 具、卡榫)	—	○	○	○	○	○
線材	—	○	○	○	○	○
觸控模組	—	○	○	○	○	○
<p>備考 1. “超出 0.1 wt %” 及 “超出 0.01 wt %” 係指限用物質之百分比含量超出百分比含量基準值。 Note 1: “Exceeding 0.1 wt %” and “exceeding 0.01 wt %” indicate that the percentage content of the restricted substance exceeds the reference percentage value of presence condition.</p> <p>備考 2. “○” 係指該項限用物質之百分比含量未超出百分比含量基準值。 Note 2: “○” indicates that the percentage content of the restricted substance does not exceed the percentage of reference value of presence.</p> <p>備考 3. “—” 係指該項限用物質為排除項目。 Note 3: The “?” indicates that the restricted substance corresponds to the exemption.</p>						

Copyright

The documentation and the software included with this product are copyrighted 2020 by Advantech Co., Ltd. All rights are reserved. Advantech Co., Ltd. reserves the right to make improvements in the products described in this manual at any time without notice. No part of this manual may be reproduced, copied, translated or transmitted in any form or by any means without the prior written permission of Advantech Co., Ltd. Information provided in this manual is intended to be accurate and reliable. However, Advantech Co., Ltd. assumes no responsibility for its use, nor for any infringements of the rights of third parties, which may result from its use.

Acknowledgements

Intel and Pentium are trademarks of Intel Corporation.

Microsoft Windows and MS-DOS are registered trademarks of Microsoft Corp.

All other product names or trademarks are properties of their respective owners.

This manual includes the following products:

FPM-815S, FPM815S, FPM-815S-R6AE
FPM815SR6A2001-T, FPM815SR6A2002-T, FPM815SR6A2003-T
FPM815SR6A2004-T, FPM815SR6A2005-T, FPM815SR6A2006-T
FPM815SR6A2101-T, FPM815SR6A2102-T, FPM815SR6A2103-T
FPM815SR6A2104-T, FPM815SR6A2105-T, FPM815SR6A2106-T
FPM815SR6A2201-T, FPM815SR6A2202-T, FPM815SR6A2203-T
FPM815SR6A2204-T, FPM815SR6A2205-T, FPM815SR6A2206-T
FPM815SR6A2301-T, FPM815SR6A2302-T, FPM815SR6A2303-T
FPM815SR6A2304-T, FPM815SR6A2305-T, FPM815SR6A2306-T
FPM815SR6A2401-T, FPM815SR6A2402-T, FPM815SR6A2403-T
FPM815SR6A2404-T, FPM815SR6A2405-T, FPM815SR6A2406-T
FPM815SR6A2501-T, FPM815SR6A2502-T, FPM815SR6A2503-T
FPM815SR6A2504-T, FPM815SR6A2505-T, FPM815SR6A2506-T
FPM815SR6A2601-T, FPM815SR6A2602-T, FPM815SR6A2603-T
FPM815SR6A2604-T, FPM815SR6A2605-T, FPM815SR6A2606-T
FPM-817S, FPM817S, FPM-817S-R6AE
FPM817SR6A2001-T, FPM817SR6A2002-T, FPM817SR6A2003-T
FPM817SR6A2004-T, FPM817SR6A2005-T, FPM817SR6A2006-T
FPM817SR6A2101-T, FPM817SR6A2102-T, FPM817SR6A2103-T
FPM817SR6A2104-T, FPM817SR6A2105-T, FPM817SR6A2106-T
FPM817SR6A2201-T, FPM817SR6A2202-T, FPM817SR6A2203-T
FPM817SR6A2204-T, FPM817SR6A2205-T, FPM817SR6A2206-T
FPM817SR6A2301-T, FPM817SR6A2302-T, FPM817SR6A2303-T
FPM817SR6A2304-T, FPM817SR6A2305-T, FPM817SR6A2306-T
FPM817SR6A2401-T, FPM817SR6A2402-T, FPM817SR6A2403-T
FPM817SR6A2404-T, FPM817SR6A2405-T, FPM817SR6A2406-T
FPM817SR6A2501-T, FPM817SR6A2502-T, FPM817SR6A2503-T
FPM817SR6A2504-T, FPM817SR6A2505-T, FPM817SR6A2506-T
FPM817SR6A2601-T, FPM817SR6A2602-T, FPM817SR6A2603-T
FPM817SR6A2604-T, FPM817SR6A2605-T, FPM817SR6A2606-T

Part No. 2003815S00

Printed in Taiwan

Edition 1

June 2020

Product Warranty (2 years)

Advantech warrants to you, the original purchaser, that each of its products will be free from defects in materials and workmanship for two years from the date of purchase.

This warranty does not apply to any products which have been repaired or altered by persons other than repair personnel authorized by Advantech, or which have been subject to misuse, abuse, accident or improper installation. Advantech assumes no liability under the terms of this warranty as a consequence of such events.

Because of Advantech's high quality-control standards and rigorous testing, most of our customers never need to use our repair service. If an Advantech product is defective, it will be repaired or replaced at no charge during the warranty period. For out-of-warranty repairs, you will be billed according to the cost of replacement materials, service time and freight. Please consult your dealer for more details.

If you think you have a defective product, follow these steps:

1. Collect all the information about the problem encountered. (For example, CPU speed, Advantech products used, other hardware and software used, etc.) Note anything abnormal and list any onscreen messages you get when the problem occurs.
2. Call your dealer and describe the problem. Please have your manual, product, and any helpful information readily available.
3. If your product is diagnosed as defective, obtain an RMA (return merchandise authorization) number from your dealer. This allows us to process your return more quickly.
4. Carefully pack the defective product, a fully-completed Repair and Replacement Order Card and a photocopy proof of purchase date (such as your sales receipt) in a shippable container. A product returned without proof of the purchase date is not eligible for warranty service.
5. Write the RMA number visibly on the outside of the package and ship it prepaid to your dealer.

Declaration of Conformity

FCC Class A

Note: This equipment has been tested and found to comply with the limits for a Class A digital device, pursuant to part 15 of the FCC Rules. These limits are designed to provide reasonable protection against harmful interference when the equipment is operated in a commercial environment. This equipment generates, uses, and can radiate radio frequency energy and, if not installed and used in accordance with the instruction manual, may cause harmful interference to radio communications. Operation of this equipment in a residential area is likely to cause harmful interference in which case the user will be required to correct the interference at his own expense.

Technical Support and Assistance

1. Visit the Advantech web site at www.advantech.com/support where you can find the latest information about the product.
2. Contact your distributor, sales representative, or Advantech's customer service center for technical support if you need additional assistance. Please have the following information ready before you call:
 - Product name and serial number
 - Description of your peripheral attachments
 - Description of your software (operating system, version, application software, etc.)
 - A complete description of the problem
 - The exact wording of any error messages

Safety Instructions

1. Read these safety instructions carefully.
2. Keep this User Manual for later reference.
3. Disconnect this equipment from any AC outlet before cleaning. Use a damp cloth. Do not use liquid or spray detergents for cleaning.
4. For plug-in equipment, the power outlet socket must be located near the equipment and must be easily accessible.
5. Keep this equipment away from humidity.
6. Put this equipment on a reliable surface during installation. Dropping it or letting it fall may cause damage.
7. The openings on the enclosure are for air convection. Protect the equipment from overheating. **DO NOT COVER THE OPENINGS.**
8. Make sure the voltage of the power source is correct before connecting the equipment to the power outlet.
9. Position the power cord so that people cannot step on it. Do not place anything over the power cord.
10. All cautions and warnings on the equipment should be noted.
11. If the equipment is not used for a long time, disconnect it from the power source to avoid damage by transient overvoltage.
12. Never pour any liquid into an opening. This may cause fire or electrical shock.
13. Never open the equipment. For safety reasons, the equipment should be opened only by qualified service personnel.
14. If one of the following situations arises, get the equipment checked by service personnel:
 - The power cord or plug is damaged.
 - Liquid has penetrated into the equipment.
 - The equipment has been exposed to moisture.
 - The equipment does not work well, or you cannot get it to work according to the user's manual.
 - The equipment has been dropped and damaged.
 - The equipment has obvious signs of breakage.
15. **DO NOT LEAVE THIS EQUIPMENT IN AN ENVIRONMENT WHERE THE STORAGE TEMPERATURE MAY GO BELOW -20° C (-4° F) OR ABOVE 60° C (140° F). THIS COULD DAMAGE THE EQUIPMENT. THE EQUIPMENT SHOULD BE IN A CONTROLLED ENVIRONMENT.**

16. The sound pressure level at the operator's position according to IEC 704-1:1982 is no more than 70 dB (A).
17. By means of a power cord connected to a socket-outlet with earthing connection.

DISCLAIMER: This set of instructions is given according to IEC 704-1. Advantech disclaims all responsibility for the accuracy of any statements contained herein.

Note! *This product is intended to be supplied by an UL certified power supply or dc source suitable for use at minimum Tma 60 degree °C whose output meets SELV or ES1, LPS or PS2 and is rated 24Vdc, 2A min., if need further assistance, please contact Advantech for further information.*



Warning! *If the customer user DC power by oneself for this product may cause the radio interference in which case, the customer must be to take adequate measures.*



Warning! *If the customer needs to use power adapter, please use the power adapter listed on the product datasheet. If the customer use the power adapter not listed on the product datasheet, it may cause the radio interference in which case, the customer must be to take adequate measures*



Consignes de Sécurité

1. Lire attentivement les instructions de sécurité
2. Conserver ce manuel pour utilisation ultérieure
3. Débranchez cet équipement de toute prise secteur avant de le nettoyer. Utilisez seulement un chiffon humide. N'utilisez pas de détergent liquide ou pulvérisé pour le nettoyage.
4. Gardez cet équipement à l'abri de l'humidité.
5. Placez cet équipement sur une surface fiable pendant l'installation. Le faire ou bien le laisser tomber peut causer des dégâts.
6. Les ouvertures sur l'enceinte servent à la convection de l'air. Protégez l'équipement contre la surchauffe. **NE COUVREZ PAS LES OUVERTURES.**
7. Assurez-vous que la tension de la source d'alimentation est correcte avant de connecter l'équipement à l'alimentation.
8. Placez le câble d'alimentation de manière à ce que personne ne puisse marcher dessus. Ne placez rien sur le câble d'alimentation.
9. Toutes les mises en garde et tous les avertissements sur l'équipement doivent être notés.
10. Si l'équipement n'est pas utilisé pendant une longue période, débranchez-le de la source d'alimentation pour éviter tout endommagement dû à une surtension transitoire.
11. Ne jamais verser de liquide dans une ouverture. Cela pourrait provoquer un incendie ou un choc électrique.
12. N'ouvrez jamais l'équipement. Pour des raisons de sécurité, l'équipement doit être ouvert uniquement par du personnel qualifié.
13. Si l'une des situations suivantes se présente, faites vérifier l'équipement par le personnel de service:
 - Un liquide a pénétré dans l'équipement.

- L'équipement a été exposé à l'humidité.
 - L'équipement ne fonctionne pas bien, ou vous ne pouvez pas le faire fonctionner selon le manuel de l'utilisateur.
 - L'équipement est tombé et endommagé.
 - L'équipement présente des signes évidents de rupture.
14. NE LAISSEZ PAS CET ÉQUIPEMENT DANS UN ENVIRONNEMENT OU LA TEMPÉRATURE DE STOCKAGE PEUT ÊTRE INFÉRIEURE À -20 ° C (-4 ° F) OU BIEN SUPÉRIEURE À 60 ° C (140 ° F). CECI POURRAIT ENDOMMAGER L'EQUIPEMENT. L'ÉQUIPEMENT DEVRAIT ÊTRE DANS UN ENVIRONNEMENT CONTRÔLÉ.
 15. ATTENTION: DANGER D'EXPLOSION SI LA BATTERIE EST INCORRECTEMENT REMPLACÉE. REMPLACER SEULEMENT AVEC LE MÊME TYPE OU ÉQUIVALENT RECOMMANDÉ PAR LE FABRICANT, JETER LES BATTERIES USÉES SELON LES INSTRUCTIONS DU FABRICANT. VEUILLEZ CONTACTER LE FABRICANT, ADVANTECH, POUR LE REMPLACER.
 16. Le personnel concerné doit savoir qu'il ne faut pas heurter la section d'angle de l'appareil afin d'éviter tout risque de blessure.
 17. Au moyen d'un cordon d'alimentation connecté à une prise de courant avec mise à la terre.

Remarque! *Ce produit est destiné à être alimenté par une source d'alimentation certifiée UL ou par une source de courant continu adaptée à une utilisation à une température minimale de 60 degrés Celsius (T_{ma} 60 ° C) et dont la sortie est conforme à la norme SELV ou ES1, LPS ou PS2 et à une tension nominale de 24Vcc, 2A min. assistance, veuillez contacter Advantech pour plus d'informations.*



Attention! *Si l'utilisateur client utilise exclusivement l'alimentation en courant continu pour ce produit, il peut provoquer des interférences radio, auquel cas, le client doit prendre les mesures appropriées.*



Attention! *Si le client doit utiliser un adaptateur secteur, veuillez utiliser l'adaptateur secteur figurant sur la fiche technique du produit. Si le client utilise un adaptateur secteur non répertorié dans la fiche technique du produit, il peut provoquer des interférences radio, auquel cas il doit prendre les mesures appropriées.*



安全指示

1. 請仔細閱讀此安全操作說明。
2. 請妥善保存此用戶手冊供日後參考。
3. 用濕抹布清洗設備前，請從插座拔下電源線。請不要使用液體或去汙噴霧劑清洗設備。
4. 對於使用電源線的設備，設備周圍必須有容易接觸到的電源插座。
5. 請不要在潮濕環境中使用設備。
6. 請在安裝前確保設備放置在可靠的平面上，意外跌落可能會導致設備損壞。
7. 設備外殼的開口是用於空氣對流，從而防止設備過熱。**請勿覆蓋開孔。**
8. 當您連接設備到電源插座上前，請確認電源插座的電壓是否符合要求。
9. 請將電源線佈置在人們不易絆到的位置，並不要在電源線上覆蓋任何雜物。
10. 請注意設備上的所有警告和注意標語。
11. 如果長時間不使用設備，請將其同電源插座斷開，避免設備被超標的電壓波動損壞。
12. 請不要讓任何液體流入通風口，以免引起火災或者短路。
13. 請不要自行打開設備。為了確保您的安全，請由經過認證的工程師來打開設備。
14. 如遇下列情況，請由專業人員來維修：
 - 電源線或者插頭損壞；
 - 設備內部有液體流入；
 - 設備曾暴露在過於潮濕的環境中使用；
 - 設備無法正常工作，或您無法通過用戶手冊來使其正常工作；
 - 設備跌落或者損壞；
 - 設備有明顯的外觀破損。
15. 請不要把設備放置在超出我們建議的溫度範圍的環境，即不要低於 -20°C (-4°F) 或高於 60°C (140°F)，否則可能會損壞設備。
16. **注意：**若電池更換不正確，將有爆炸的危險。因此，只可以使用製造商推薦的同一種或者同等型號的電池進行替換。請按照製造商的指示處理舊電池。
17. 根據 IEC 704-1:1982 的規定，操作員所在位置的聲壓級不可高於 70dB(A)。
18. **限制區域：**請勿將設備安裝於限制區域使用。
19. **免責聲明：**該安全指示符合 IEC 704-1 的要求。研華公司對其內容的準確性不承擔任何法律責任。

警告使用者：

1. 使用過度恐傷害視力
2. 使用 30 分鐘請休息 10 分鐘
3. 未滿 2 歲幼兒不看螢幕，2 歲以上每天看螢幕不要超過 1 小時
4. 這是甲類資訊產品，在居住的環境中使用時，可能會造成射頻干擾，在這種情況下，使用者會被要求採取某些適當對策

警告！ 如果客戶自行為本產品用戶直流電源可能會造成無線電干擾，在這種情況下，客戶必須採取適當的措施。



警告！ 如果客戶需要使用電源適配器，請使用產品數據表中列出的電源適配器。如果客戶使用產品數據表中未列出的電源適配器，可能會造成無線電干擾，在這種情況下，客戶必須採取適當的措施。



本產品於國內裝置使用時，其電源僅限使用機架電源模組所提供直流電源輸入，不得使用交流電源及附加其他電源轉換裝置提供電源，其電源輸入電壓及電流請依說明書規定使用。

Contents

Chapter 1	General Information	1
1.1	Introduction	2
1.2	Specifications	2
	1.2.1 General	2
	1.2.2 Touchscreen	2
1.3	LCD Specification	3
1.4	Connectors	3
1.5	Interface	4
	Figure 1.1 FPM-800S - I/O Port Arrangement	4
1.6	Dimensions	4
	1.6.1 FPM-815S	4
	Figure 1.2 FPM-815S Dimensions	4
	1.6.2 FPM-817S	5
	Figure 1.3 FPM-817S Dimensions	5
Chapter 2	Mounting Methods	7
2.1	Mounting the Monitor	8
	2.1.1 Panel Mounting	8
	Figure 2.1 Panel Mounting	8
	2.1.2 Wall Mounting	9
	Figure 2.2 Wall Mounting	9
	2.1.3 Desktop Stand Mounting	10
	Figure 2.3 Desktop Stand Mounting	10
	2.1.4 VESA Mounting	11
	Figure 2.4 VESA Mounting	11
Appendix A	Touchscreen	13
A.1	Introduction	14
A.2	Touchscreen Specifications (15"/17")	14
	A.2.1 Typical Optical Features	14
	A.2.2 Electrical Specifications	14
	A.2.3 Environment Specifications	14
A.3	Installing Driver for Windows OS	14
Appendix B	OSD Operation Keypad	15
B.1	OSD Board Overview	16
B.2	OSD Button Description	16
	Table B.1: OSD Button Description	16
B.3	LED Function	17
	Table B.2: LED Function	17

Chapter 1

General Information

Sections include:

- Introduction
- Specifications
- LCD Specification
- Power Consumption
- Connectors
- Dimensions

1.1 Introduction

FPM-800S series is a rugged and reliable industrial monitor, which supports wide-temperature operation that make it suitable for many applications. True flat IP66-rated front gives it an elegant outlook and it also provides protection from water and dust intrusion making daily cleaning easier. With support for wide temperature operation ranges (-20 ~ 60°C /-4 ~ 140°F) and 304 grade stainless steel front bezel, FPM-800S is especially suitable in hygiene-demanding and hazardous environments.

1.2 Specifications

1.2.1 General

Specifications	FPM-815S
Construction	304 Stainless Steel front and anti-rust coated rear cover
Front panel	304 stainless steel bezel
OSD Control	OSD control pad on rear panel
Mounting Panel	Panel, wall, desktop, VESA arm
Dimensions (W x H x D)	405.3 x 329.4 x 59.3 (15.96 x 12.97 x 2.33 in)

Specifications	FPM-817S
Construction	304 Stainless Steel front and anti-rust coated rear cover
Front panel	304 stainless steel bezel
OSD Control	OSD control pad on rear panel
Mounting Panel	Panel, wall, desktop, VESA arm
Dimensions (W x H x D)	432.5 x 365.5 x 59.3 (17.03 x 14.39 x 2.33 in)

1.2.2 Touchscreen

Specifications	FPM-815S
Type	5 wire, analog resistive with enhanced ITO film
Resolution	1024*768
Light Transmission	>80%
Controller	USB interface

Specifications	FPM-817S
Type	5 wire, analog resistive with enhanced ITO film
Resolution	1280*1024
Light Transmission	>80%
Controller	USB interface

1.3 LCD Specification

Specifications	15"	17"
Display Type	XGA TFT LCD	SXGA TFT LCD
Display Size	15"	17"
Max. Colors	16.7M Max	16.7M Max
Resolution	1024 x 768	1280 x 1024
View Angle (H/V°)	160°(V), 160°(H)	178°(V), 178°(H)
Luminance	300 cd/m2	250 cd/m2
Storage Temperature	-20 ~ 60°C	-20 ~ 60°C
Operating Temperature	0 ~ 50°C	0 ~ 50°C
Contrast Ratio	500:1	1000:1
Lamp Life Time (MTBF)	50,000 hrs.	50,000 hrs.

Warning! *Avoid exposing FPM-800S to direct sunlight for long periods of time. Direct sunlight falling onto an LCD screen can cause it to become very hot and physically damage the LCD as the components are not designed to tolerate high heat - therefore shortening the life of the LCD.*



1.4 Connectors

The following connectors are situated on the bottom side of the FPM-800S series:

- **VGA Port (DB-15)**
DB-15 connector can be connected to the system via the external 15-pin DB-15 connector located on the left side of the system unit.
- **Touchscreen Connector (USB)**
This connector will be present only if a touchscreen is installed. It must be connected to the USB port of the PC. The touchscreen cable is included with all orders.
- **DC 24V Power Input Connector**
This connector must be connected to DC 24V power switch.

Please note before connecting the monitor and PC with a VGA cable:

1. *If your PC has an OS installed, please confirm its refresh frequency is within the acceptable range.*

1.5 Interface

The arrangement of the I/O ports is shown in Figure 1.1.

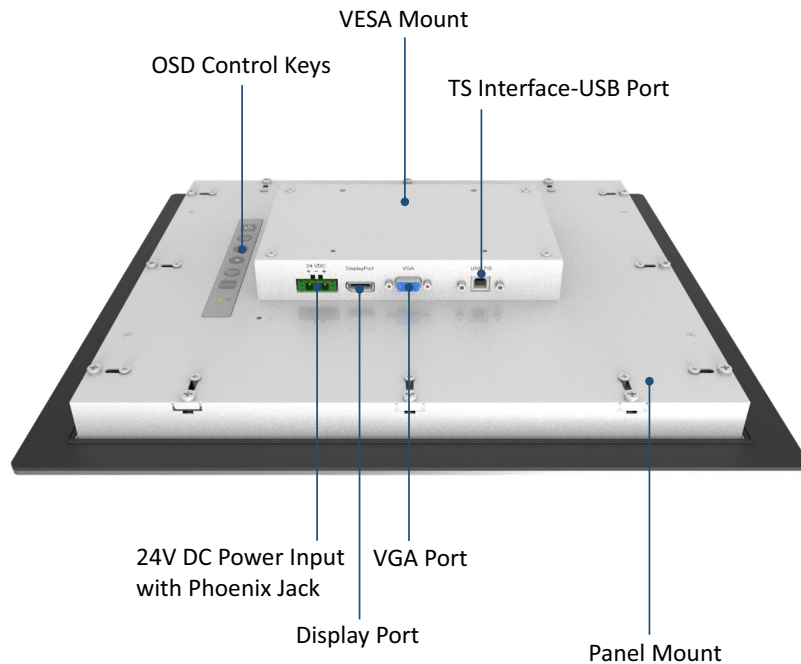
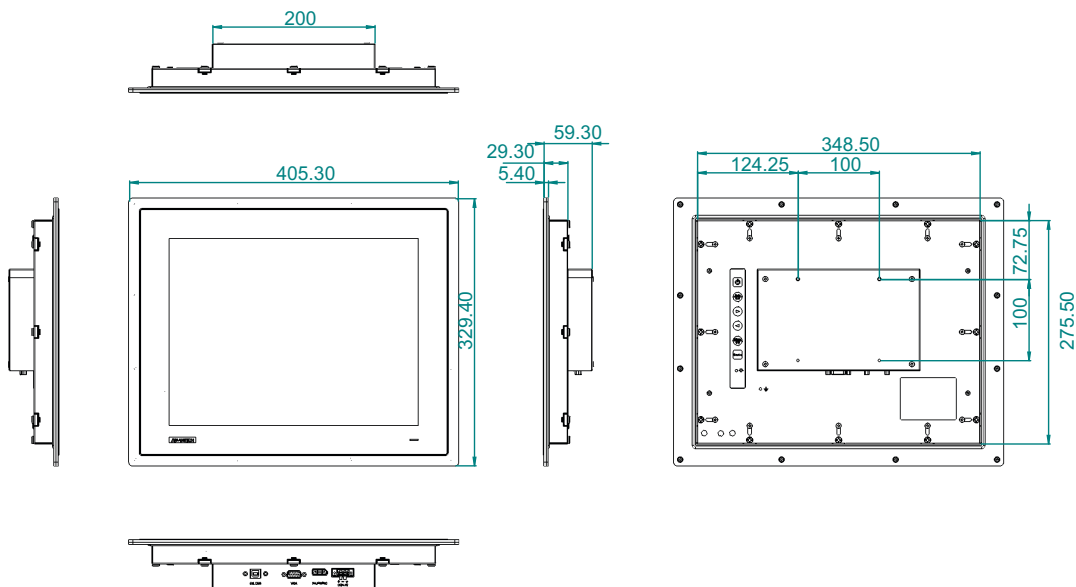


Figure 1.1 FPM-800S - I/O Port Arrangement

1.6 Dimensions

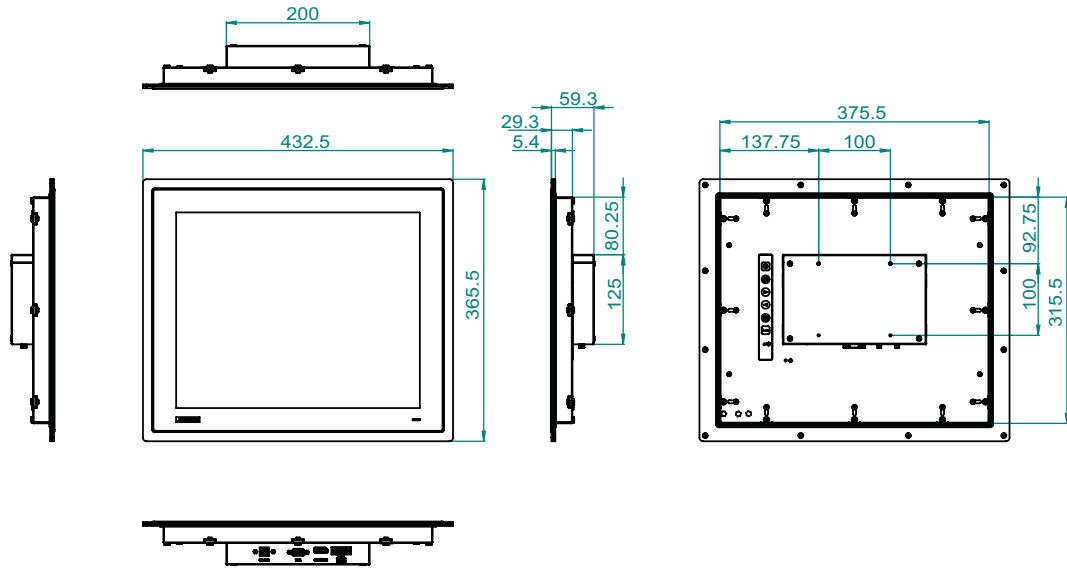
1.6.1 FPM-815S



Cut-out Dimensions: 350 x 277 mm (13.78 x 10.91 inch)

Figure 1.2 FPM-815S Dimensions

1.6.2 FPM-817S



Cut-out Dimensions: 382 x 320 mm (15.04 x 12.6 inch)

Figure 1.3 FPM-817S Dimensions

Chapter 2

Mounting Methods

Sections include:

- Wall Mounting
- Panel Mounting
- Desktop Stand Mounting
- VESA Mounting

2.1 Mounting the Monitor

The FPM-800S series can be mounted for Panel, wall, desktop, VESA arm.

2.1.1 Panel Mounting

If you need to install the FPM-800S series in a panel, please put the monitor into the cabinet then roll out the clampers and fix them with screws. To implement the panel mount completely, it required 12 clampers with M4 * 25mm screws.

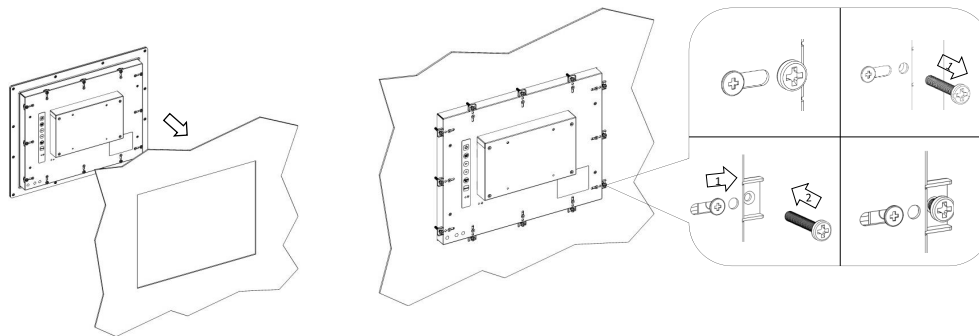


Figure 2.1 Panel Mounting

Panel Mounting

12 clampers with M4 * 25mm screws.

Diameter of screw = M4 min.

Length of screw = 25.0 min.

Montage sur panneau

12 pinces avec vis M4 * 25 mm.

Diamètre de la vis = M4 min.

Longueur de la vis = 25.0 min.

2.1.2 Wall Mounting

If you need to install the FPM-800S series in the wall, you can use FPM-1000T mounting kit which is offered as an optional accessory for FPM-800S. You need to secure this metal bracket to the wall first then fasten the FPM-800S with the included screws. The metal bracket holds the FPM-800S to the wall to complete the wall mounting.

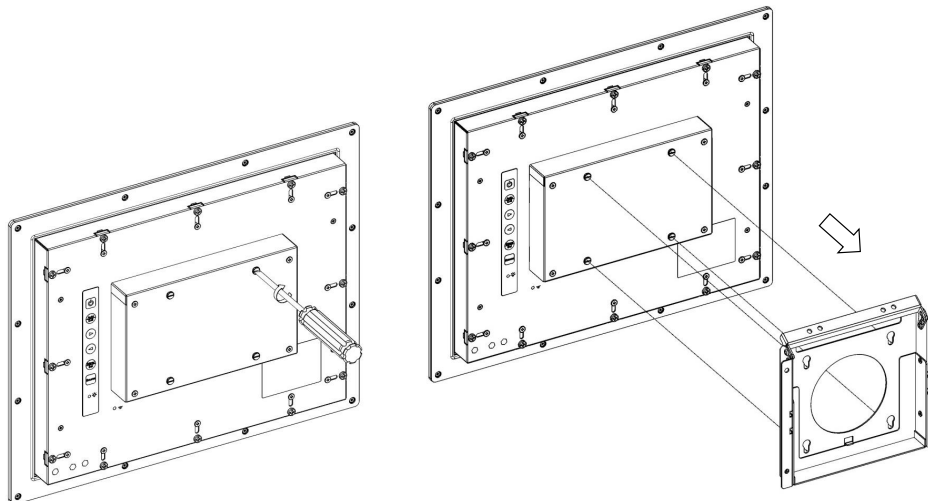


Figure 2.2 Wall Mounting

Wall Mounting

Screw to fix mounting kit

Diameter of screw = M4.

Length of screw = 6-8 mm

Montage mural

Vis pour fixer le kit de montage

Diamètre de vis = M4.

Longueur de vis = 6-8 mm

2.1.3 Desktop Stand Mounting

If you have to opt for the desk mount stand, you also can use FPM-1000T mounting kit and secure the stand with 2pcs M4 screws to the desk for attachment of the mount to the FPM-800S.

(p.s FPM-1000T Mounting kit is offered as an optional accessory for FPM-800S.)

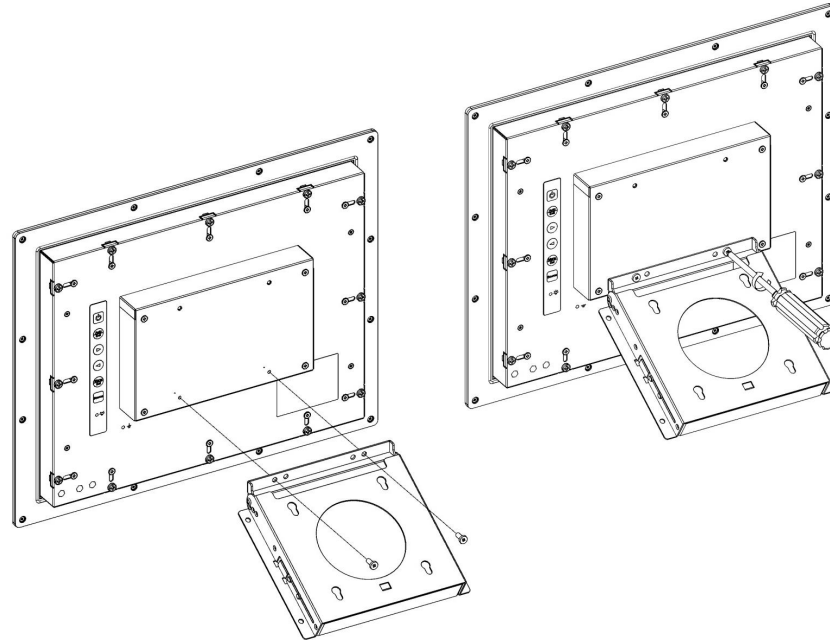


Figure 2.3 Desktop Stand Mounting

Desktop Stand Mounting

Screw to fix mounting kit (2 pcs)

Diameter of screw = M4.

Length of screw = 6-8 mm

Montage du support de bureau

Vis pour fixer le kit de montage (2 pièces)

Diamètre de vis = M4.

Longueur de vis = 6-8 mm

2.1.4 VESA Mounting

If VESA mounting is preferred, you need to fasten the VESA mounting kit on the rear side of the FPM-800S. FPM-800S is a VESA MIS-D with 100 x 100 mm square hole pattern and use 4pcs M4 screws for attachment.

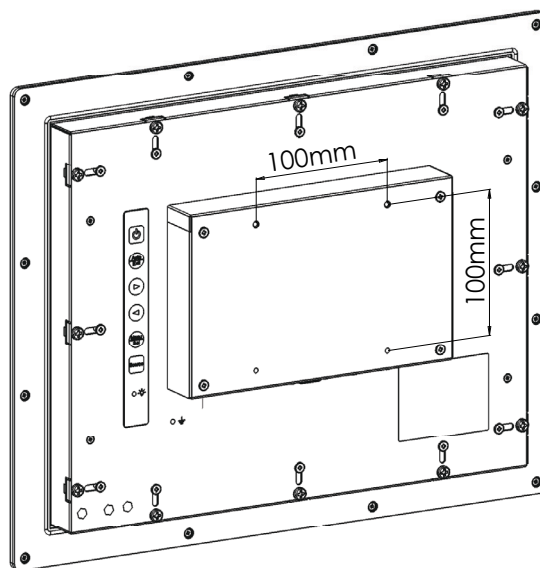


Figure 2.4 VESA Mounting

VESA Mounting

Screw to fix mounting kit

Diameter of screw = M4 min.

Length of screw = 8-10 mm

Montage VESA

Vis pour fixer le kit de montage

Diamètre de vis = M4 min.

Longueur de vis = 8-10 mm

Appendix **A**

Touchscreen

A.1 Introduction

The FPM-800S Series touchscreen uses advanced 5-wire resistive technology. It provides more accurate sensing capacity than other technologies. The touchscreen is specially designed for tough industrial environments, and has been approved to FCC Class A standards.

A.2 Touchscreen Specifications (15"/17")

A.2.1 Typical Optical Features

Specification	15"	17 "
Light Transmission	≥80%	≥80%
Haze	< 1%	< 1%

A.2.2 Electrical Specifications

Specification	15"	17"
Operation Voltage	5.5V or below	5.5V or below
Contact Current	70 mA (Maximum)	70 mA (Maximum)

A.2.3 Environment Specifications

Specification	15"	17 "
Operating Temperature	-20 ~ +60°C	-20 ~ +60°C
Storage Temperature	-30 ~ +80°C	-30 ~ +80°C
Humidity	10%~95%, non-condensing	10%~95%, non-condensing

A.3 Installing Driver for Windows OS

The touchscreen has drivers for Windows 7/8/10 and ADV Linux users. The FPM-800S series need to install Penmount 6000 driver. Please go to below website to download Penmount 6000 driver then install the driver into your system.

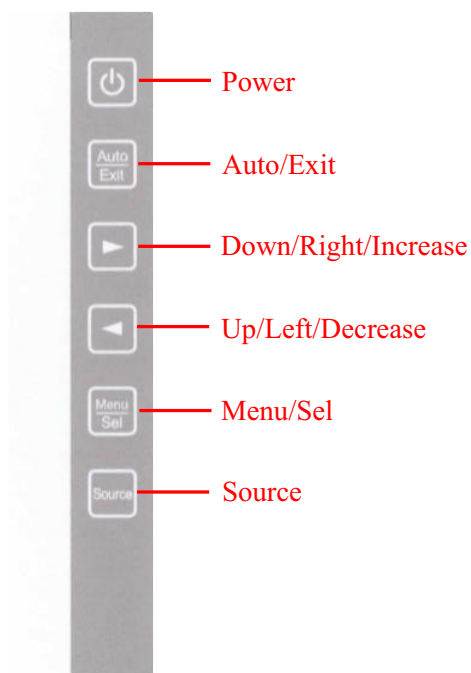
https://support.advantech.com/support/new_default.aspx

Appendix **B**

OSD Operation
Keypad

B.1 OSD Board Overview

The OSD keypad, including six keys and a two colour indicator, is designed as the OSD operation interface.



B.2 OSD Button Description

Table B.1: OSD Button Description

Power	Turn the monitor power ON or OFF.
Auto/Exit	Automatically adjust the clock, phase, H-position and V-position. Exit menu.
Down/Right/Increase	Increase the brightness. Move the selector to the next option. Increase the gauge value of the selected option.
Up/Left/Decrease	Decrease the brightness. Move the selector to the previous option. Decrease the gauge value of the selected option.
Menu/Sel	Activate the OSD menu. Enter/confirm the selected option.
Source	Changes Input video source

B.3 LED Function

Table B.2: LED Function	
ON	Green
StandBy/OFF	Green Blinking
無信號	Orange

Warning! Please note that if you turned off FPM-800S via the OSD power button or power off, the touch function will not be closed due to the fact that touch is powered by the video source independently.



www.advantech.com

Please verify specifications before quoting. This guide is intended for reference purposes only.

All product specifications are subject to change without notice.

No part of this publication may be reproduced in any form or by any means, electronic, photocopying, recording or otherwise, without prior written permission of the publisher.

All brand and product names are trademarks or registered trademarks of their respective companies.

© Advantech Co., Ltd. 2020