

# FPM-3150

## Industrial 15" Flat Panel Monitor with Direct-VGA Port



### Features

- 15" XGA TFT LCD with resolution up to 1024 X 768
- Stainless steel chassis with NEMA4/IP65-compliant aluminum front panel
- High luminance up to 350 cd/m<sup>2</sup>
- Auto-recognition of input signal
- Rack, panel or wallmount
- Supports VESA arm, desktop stand
- VGA Cable transmission up to 50 m (option)

### Introduction

The FPM-3150 is a 15-inch color TFT LCD flat panel monitor specifically designed for industrial applications. With a viewing size as large as 15", it presents an ample display area as well as vivid and sharp images for your HMI. The FPM-3150 features Direct-VGA signal transmission, which allows a regular VGA control card to be used on your system. Users can thus upgrade the display without making changes to the existing system. Its on screen display function also allows users to adjust the images on screen with ease. The whole chassis is stainless steel and the front panel is made of aluminum with NEMA4/IP65 compliance.

### Specification

- **Front Panel:** aluminum, NEMA4/IP65 compliant
- **Mounting:** panel mount, wallmount, desktop, VESA arm, or 19" rackmount with optional mounting kit
- **Dimensions (W x H x D):** 428 x 310 x 86 mm (16.9" x 12.2" x 3.4")
- **Gross Weight:** 7 kgs (15.4 lbs)
- **I/O Port:** VGA, DC power input, power switch, and RS-232 port (Touchscreen version only)
- **Control:** OSD (on screen display) Control Pads on the front panel
- **Power:** external 48 W power adapter, with AC 100 V ~ 230 V input and DC +12 V @ 4 A output
- **Operating Temperature:** 0° ~ 50° C (32° ~ 122° F)
- **Storage Temp:** -20° ~ 60° C (-4° ~ 140° F)
- **Storage Humidity:** 5 ~ 95% non-condensing
- **Vibration (operating):** 5 ~ 17 Hz, double-amplitude displacement 17 ~ 500 Hz, 1.0 G peak to peak
- **CE, FCC, BSMI, CCIB compliant**

### LCD Display

Display type	XGA TFT LCD
Display size	15"
Max. colors	Full color (16.7 million)
Max. resolution	1024 X 768
View angle	130° (H), 110° (V)
Luminance	350 cd/m <sup>2</sup> 4 CCFL
Storage temperature	-20° ~ 60° C (-4° ~ 140° F)
Operating temperature	0° ~ 50° C (32° ~ 122° F)
Backlight lifetime	50,000 hrs
Contrast ratio	350 : 1

### Touchscreen (optional)

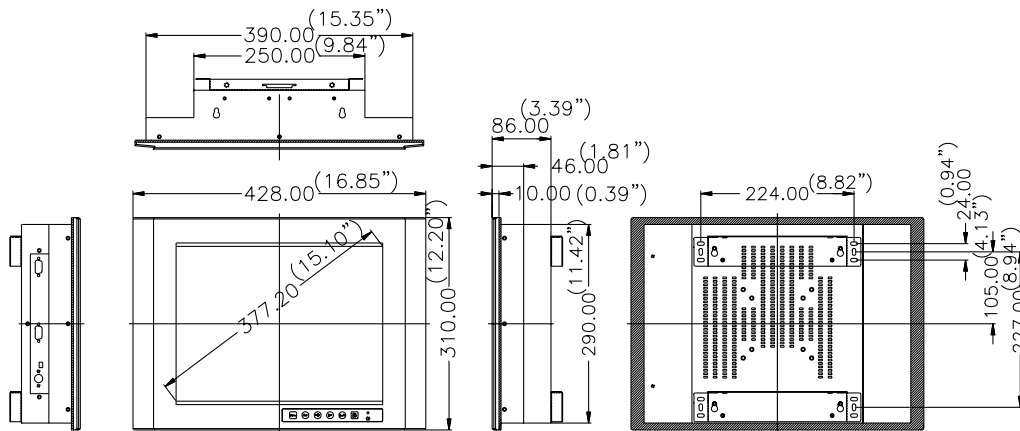
- **Type:** 8 wire, analog resistive or capacitive sensor
- **Resolution:** continuous
- **Light Transmission:** 75% (resistive)  
88% (capacitive)
- **Operating Pressure:** 30 ~ 45 gram for stylus pen, contact bounce < 10 ms
- **Controller:** RS-232 interface
- **Power Consumption:** +5 V @ 200 mA
- **OS Support:** MS-DOS, Windows 3.1/95/98/NT/2000/XP
- **Lifespan:** 100 million touches (resistive)  
220 million touches (capacitive)



# Industrial 15" Flat Panel Monitor with Direct-VGA Port

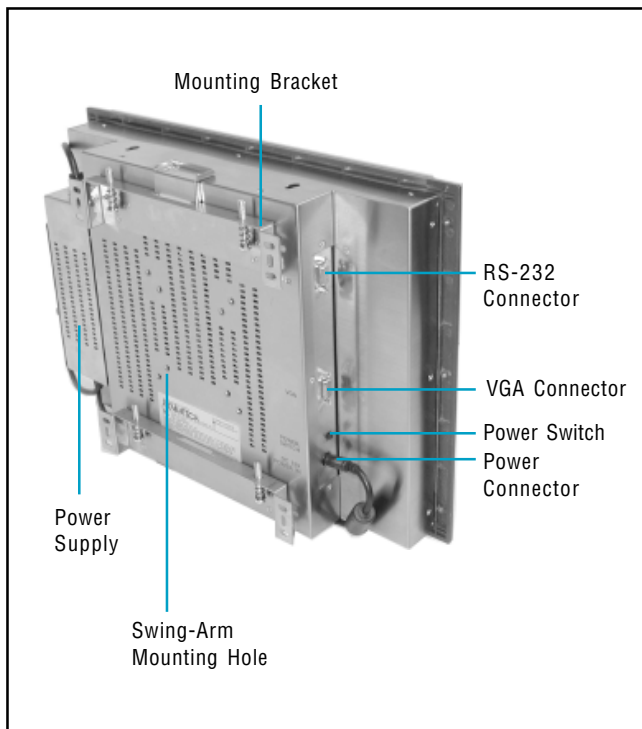
## Dimensions

Unit: mm (inch)



Cut-out dimension: 396 x 296 mm (15.6" x 11.6")

## Rear View



## Ordering Information

- FPM-3150TVE**  
Industrial flat panel monitor, VGA interface 15" LCD display and AC 100~230 V input 48W power adapter
- FPM-3150TVE-T**  
FPM-3150TVE with analog resistive touchscreen (RS-232 interface)
- FPM-3150TVE-TC**  
FPM-3150TVE with capacitive touchscreen (RS-232 interface)
- FPM-3150 Rack-MT**  
Mounting kit for 19" industrial rack

## Accessories

- 1700155001** 50 M VGA cable for FPM-series
- 1700153000** 30 M VGA cable for FPM-series
- 1700152000** 20 M VGA cable for FPM-series
- 1700151000** 10 M VGA cable for FPM-series
- 1700155000** 5 M VGA cable for FPM-series
- 9689000355** RS-232/485 converter for T/S (USA)
- 9689000356** RS-232/485 converter for T/S (UK)
- 9689000357** RS-232/485 converter for T/S (FR)
- 1700090000** 10 M cable for T/S
- 1700090001** 4.5 M cable for T/S
- 1700090002** 3 M cable for T/S

## Option

- 4 mm standless front panel support by request

WebLink  
WebOT 1

IPPC &  
AWS 2

TPC 3

FPM 4

IPC 5

UNO-  
2000 6

DA&C 7

PCI 8

MIC 9

ADAM-  
3000 10

ADAM-  
4000 11

ADAM-  
5000 12

ADAM-  
6000 13

ADAM-  
8000 14

Industrial  
Converters 15

VBOX 16

Software 17

Index