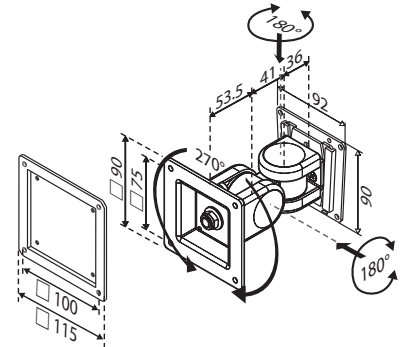
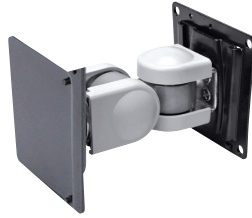


UTC-Wall-Mount Installation Guide

UTC-WALL-MOUNT1E

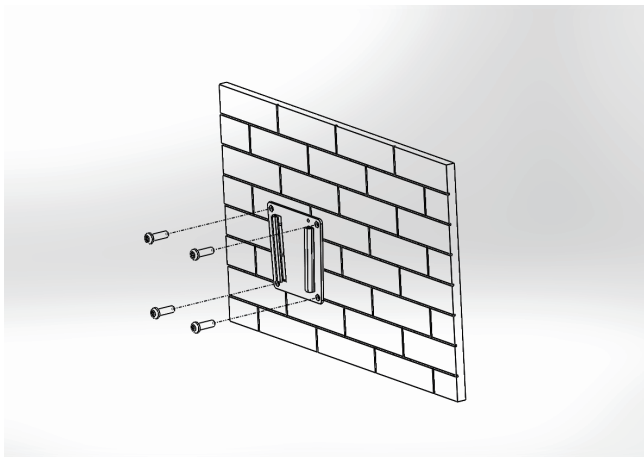
VESA 75/100 mm

- Firmly fix to a solid wall
- Weight capacity up to 14 kg
- Material: Steel
- Tilt: 180° up and down
- Rotation: 270° for portrait or landscape viewing
- Lift: 130.5 mm
- For UTC-510/515/520/307/310/315



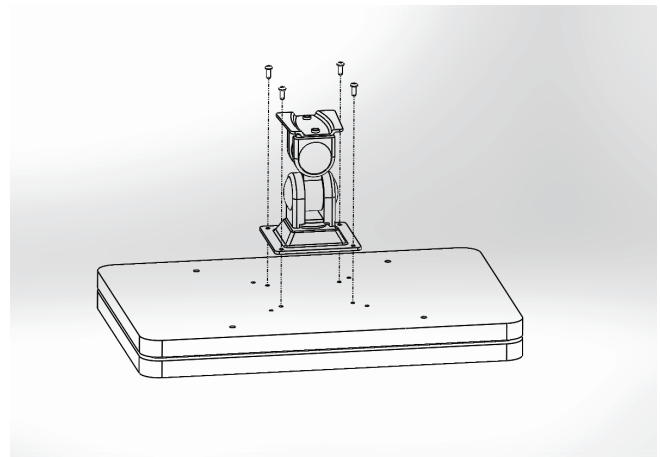
Step 1

Tighten the wall plate on the wall by using four screws.



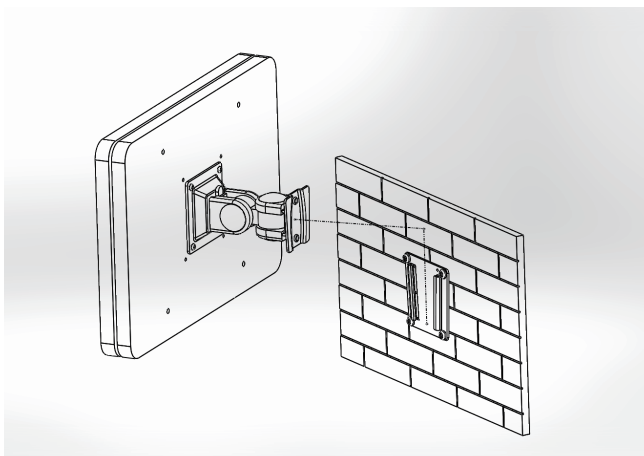
Step 2

Tighten the wall mount device plate on the rear cover of UTC unit by using four screws into VESA holes.



Step 3

Take the UTC unit with wall mount device plate to slide into wall mount plate on the wall.

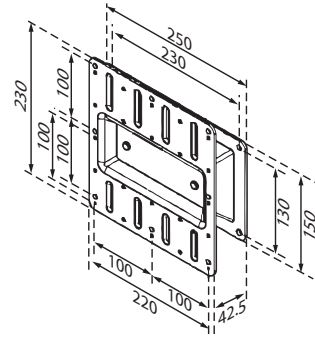


UTC-Wall-Mount Installation Guide

UTC-WALL-MOUNT2E

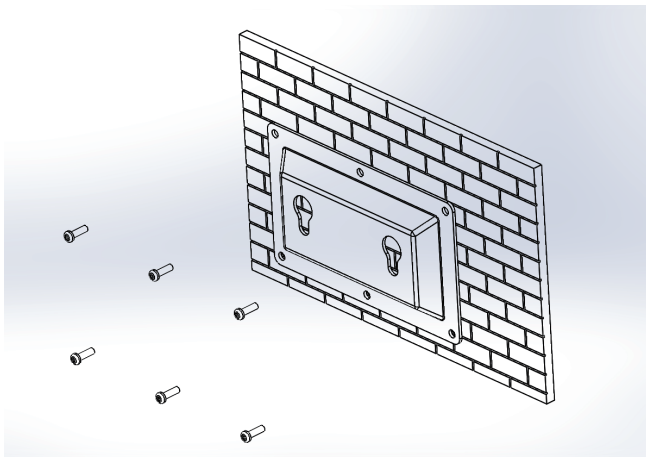
VESA 100/200 mm

- Flush fit without movement
- Weight capacity up to 35 kg
- Material: Steel
- Sits: 42.5 mm from the wall
- For UTC-532 only



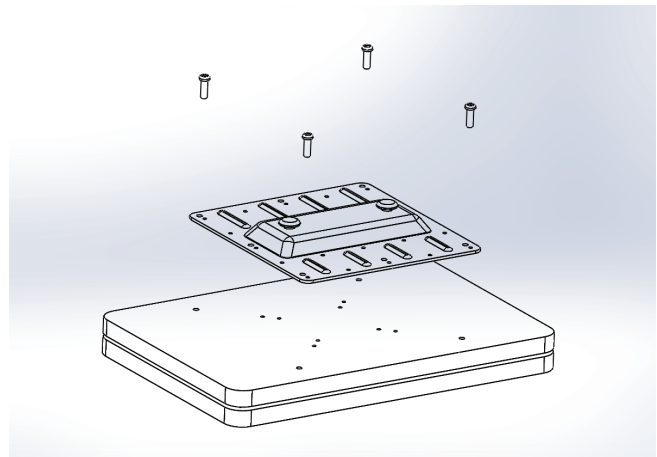
Step 1

Tighten the wall plate on the wall by using six screws.



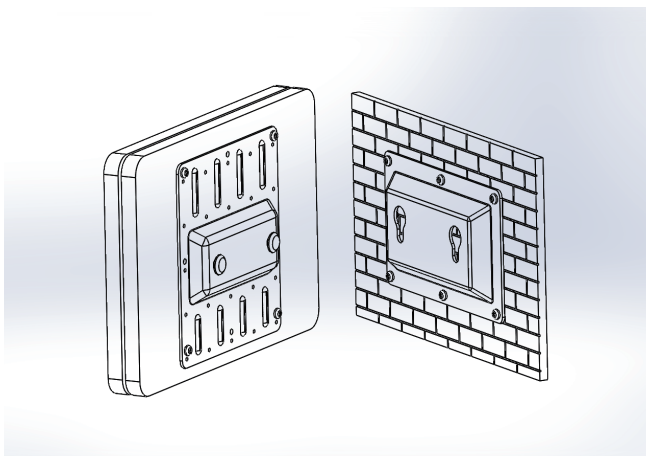
Step 2

Tighten the wall mount device plate on the rear cover of UTC unit by using four screws into VESA holes.



Step 3

Take the UTC unit with wall mount device plate to hang into wall mount plate on the wall.

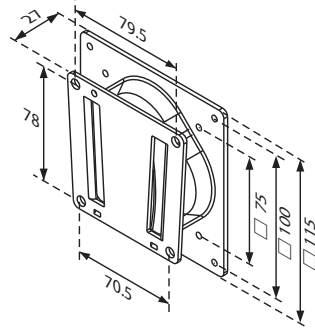


UTC-Wall-Mount Installation Guide

UTC-WALL-MOUNT3E

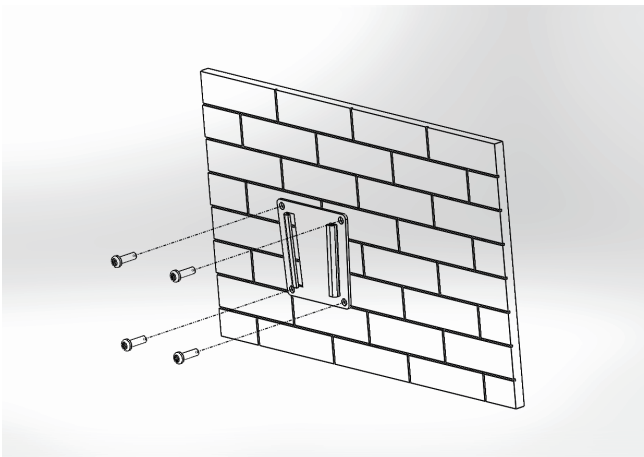
VESA 75/100 mm

- Firmly fix to a solid wall
- Weight capacity up to 20 kg
- Material: Steel
- Sits: 27 mm from the wall
- For UTC-515/520/307/310/315/318/320



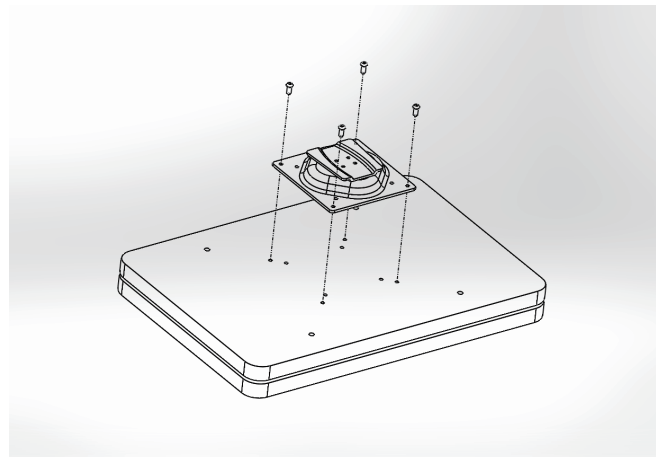
Step 1

Tighten the wall plate on the wall by using four screws.



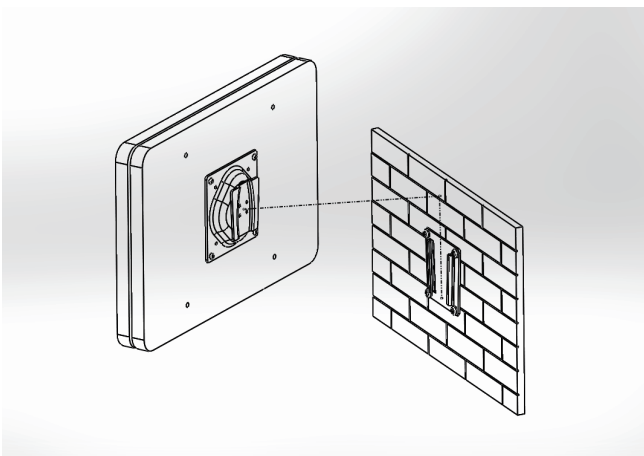
Step 2

Tighten the wall mount device plate on the rear cover of UTC unit by using four screws into VESA holes.



Step 3

Take the UTC unit with wall mount device plate to slide into wall mount plate on the wall.

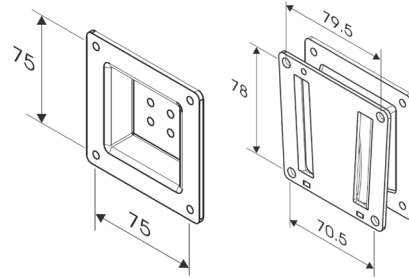
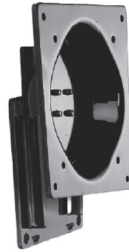


UTC-Wall-Mount Installation Guide

UTC-WALL-MOUNT4E

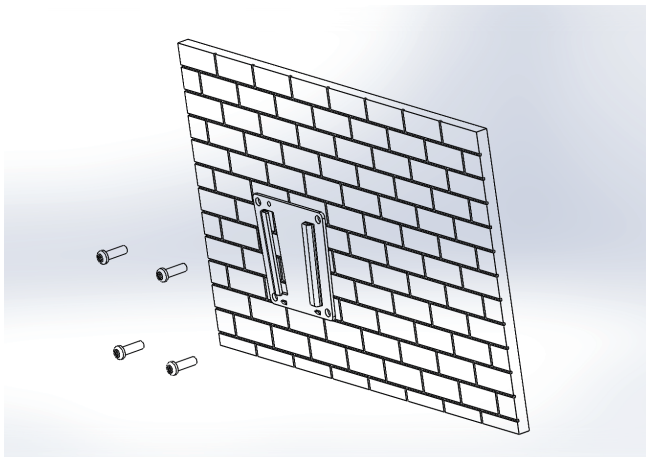
VESA 75 mm

- Handy and Convenient supporter
- Firmly fix to solid wall
- Material: Steel
- Weight capacity up to 20 kg
- For UTC-510/307/310



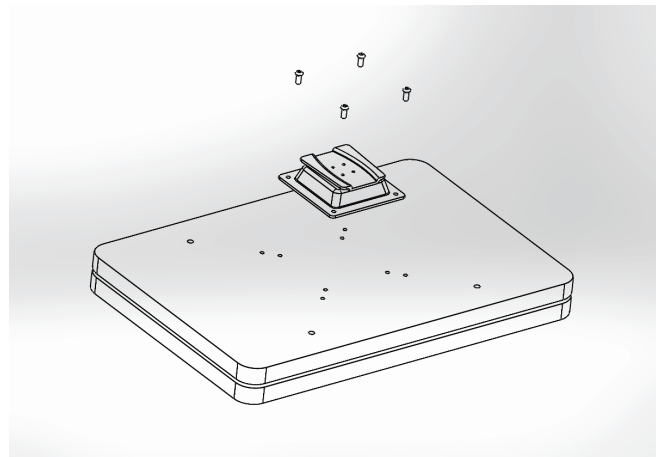
Step 1

Tighten the wall plate on the wall by using four screws.



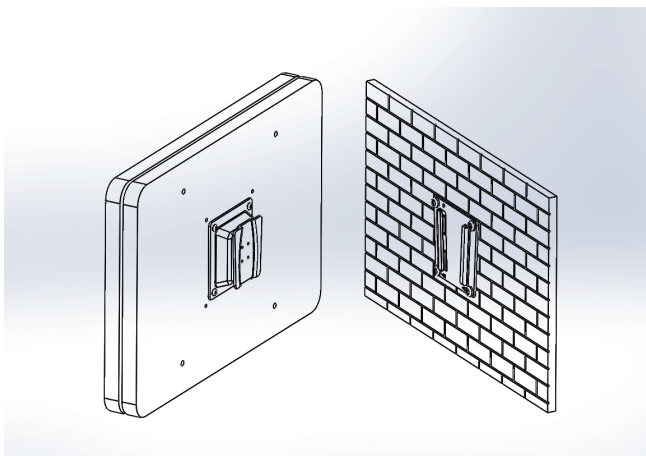
Step 2

Tighten the wall mount device plate on the rear cover of UTC unit by using four screws into VESA holes.



Step 3

Take the UTC unit with wall mount device plate to slide into wall mount plate on the wall.

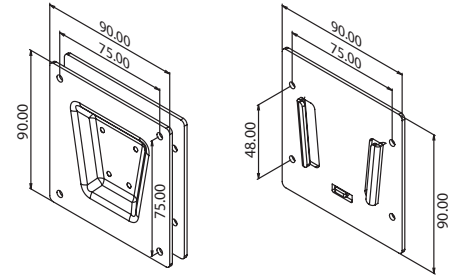


UTC-Wall-Mount Installation Guide

UTC-WALL-MOUNT5E

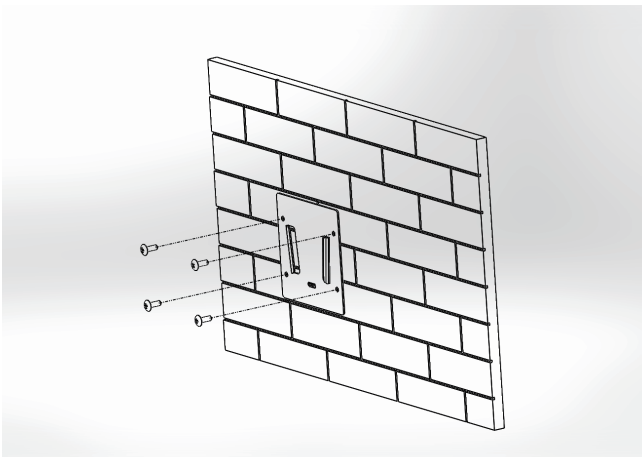
VESA 75 mm

- Firmly fix to a solid wall
- Weight capacity up to 20 kg
- Material: Steel
- Sits: 8 mm from the wall
- For UTC-510/307/310



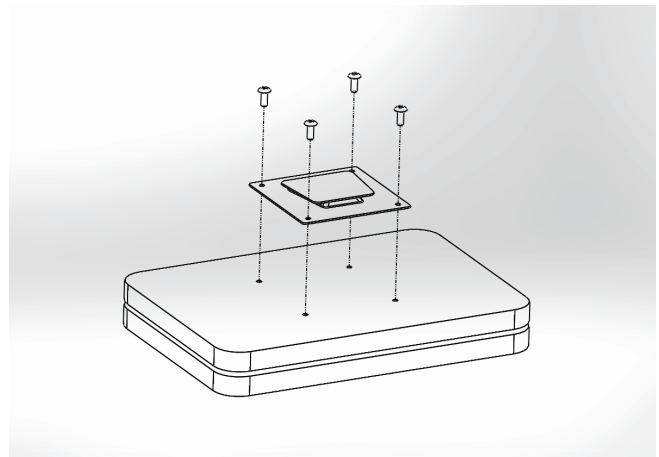
Step 1

Tighten the wall plate on the wall by using four screws.



Step 2

Tighten the wall mount device plate on the rear cover of UTC unit by using four screws into VESA holes.



Step 3

Take the UTC unit with wall mount device plate to slide into wall mount plate on the wall.

