

# UTC-242

## 42.5" Open-frame panel PC UTC-242F with Intel® Core™ i5-6300U UTC-242G with Intel® Pentium® N4200

**NEW**



### Features

- Available for embedded into kiosk chassis and wall mount type
- Built-in Intel® Core™ i5-6300U (UTC-542F)
- Built-in Intel® Pentium® N4200 (UTC-542G)
- 42.5" monitor with 16:9 widescreen display
- Supports both landscape and portrait screen orientations

### Introduction

UTC-242 features one-piece solution and fan-less design that easy to embedded into kiosk chassis or wall mount type. It is easy to integrate key peripherals for diversified self-service and interactive signage deploy in different application areas. The systems deliver updated information with well-designed interactive interfaces, fully ensure relevant content and targeted promotions are delivered. UTC series touch panel computers are the best investments to enhance user satisfaction, further brand equity, and maximize business profits.

### Specifications

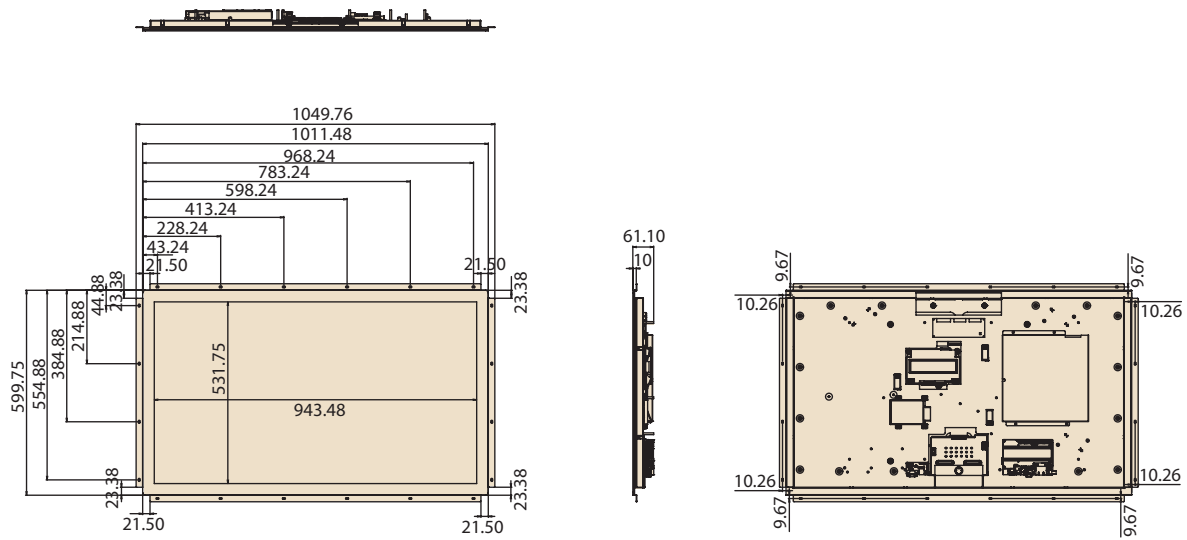
Processor System	CPU	Intel® Core™ i7-6600U (Available)* Intel® Core™ i5-6300U (UTC-242F) Intel® Core™ i3-6100U (Available)*	Intel® Pentium® N4200 (UTC-242G) Intel® Atom® E3950 (Available)*
	Base Frequency	2.4 GHz (Dual-Core)	1.1 GHz (N4200/Quad-Core) 1.6 GHz (E3950/Quad-Core)
	Cache	3 MB	L2 Cache 2MB
	Memory	2 x SO-DIMM DDR3L 1600MHz up to 16G	1 x SO-DIMM DDR3L 1867 MHz
	HDD/SSD	Dual hot-swappable HDD/SSD slots with RAID 0,1 support	
	Network (LAN)	2 x Gigabit Ethernet ports	
	I/O Ports	2 x RS-232 COM (RS-422/485)* 3 x USB 2.0 / 2 x USB 3.0 2 x Gigabit Ethernet (RJ-45) 1 x VGA 1 x HDMI	
	Stereo Speaker	10W x 2 (Optional)	
	Bus expansion	Full-size MiniPCIe/mSATA	Full-size MiniPCIe / M.2
	Dimensions (W x H x D)	990.6 x 578.8 x 60.2mm (Mirror Glass) 1016.9 x 605.2 x 60.5mm (Pcap / Mirror Pcap*)	
Weight	24.6 kg		
OS Support	Windows Pro Embedded 7 SP1 64bit Win 10 IoT Enterprise Linux	Win 10 IoT Enterprise Android 6.0/8.1/10 Linux	
Environmental Specifications	Operating Temperature	0 ~ 40° C (32 ~ 104° F)	
	Relative Humidity	10 ~ 95% @ 40° C non-condensing	
	Vibration	0.5G	
	Shock	5 G peak acceleration (11 msec. duration)	
Power	Input Rating	100-240V <sub>AC</sub> ~ 50/60Hz 3.7A	
	Size/Type	42.5" TFT LCD with LED backlight	
LCD Display	Max.Resolution	1920 x 1080	
	Pixel Pitch (mm)	0.49 (H) x 0.49 (W)	
	Brightness (cd/m <sup>2</sup> )	450 nits	
	View Angle	Horizontal: ±89° or 178° total / Vertical: ±89° or 178° total	
Touch Screen Option (PE/GE)	Type	Projected Capacitive Touch Panel / Mirror Glass Panel (No touch function) / Mirror Projected Capacitive Touch Panel*	
	Light Transmission	>90% (Pure Glass); >25% (Mirror Coating)	
	Controller	USB Interface	

\* Mirror PCap by project request.

\*\* Only UTC-542D to support Android OS.

## Dimensions

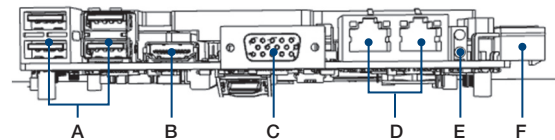
Unit: mm



## Ordering Information

Part No.	Description
UTC-242GP-AT00E	42.5", Intel® Pentium® N4200, Pcap Touch, 4GB RAM, Open Frame
UTC-242FP-AT00E	42.5", Intel® Core™ i5-6300U, Pcap Touch, 4GB RAM, Open Frame
1702002605	Power Cord 2P FRANCE 10A/16A 220V 1.83M 90D
1702002600	Power Cord 3P UL/CSA(USA) 125V 10A 1.83M 180D
1700000596	Power Cord (China) CCC, 10A 250V, 3P 1830mm
1700018704	Power Cord UK BSI 2P 10A 250V 180cm 18AWG

## I/O View



- A. USB
- B. HDMI
- C. VGA
- D. LAN
- E. PWR & HDD LED
- F. PWR Input