



**ST-6700WA**

Model: PFXST6700WAD  
Model: PFXST6700WADE



**ST-6600WA**

Model: PFXST6600WAD  
Model: PFXST6600WADE



**ST-6500WA**

Model: PFXST6500WAD  
Model: PFXST6500WADE



**ST-6400WA**

Model: PFXST6400WAD  
Model: PFXST6400WADE



**ST-6200WA**

Model: PFXST6200WAD  
Model: PFXST6200WADE

## Model Number Configuration

Display Module	(1) Size	(2) Type	(3) Resolution	(4) Touch Panel	(5) Power Supply / available software and others
<b>PFXST6 * 00 W A DE</b> (1) (2) (3) (4) (5)	7 15"	00 Reserved	W Wide TFT	A Analog	D DC / BLUE
	6 12"				DE DC / GP-ProEX
	5 10"				
	4 7"				
	2 4"				

## Display Specifications

	ST-6700WA	ST-6600WA	ST-6500WA	ST-6400WA	ST-6200WA
Model No.	PFXST6700WAD (BLUE) PFXST6700WADE (GP-Pro EX)	PFXST6600WAD (BLUE) PFXST6600WADE (GP-Pro EX)	PFXST6500WAD (BLUE) PFXST6500WADE (GP-Pro EX)	PFXST6400WAD (BLUE) PFXST6400WADE (GP-Pro EX)	PFXST6200WAD (BLUE) PFXST6200WADE (GP-Pro EX)
Display Type	TFT Color LCD				
Display Size	15.6" wide	12.1" wide	10.1" wide	7.0" wide	4.3" wide
Resolution	1,366 x 768 pixels (FWXGA)	1,280 x 800 pixels (WXGA)	1,024 x 600 pixels (WSVGA)	800 x 480 pixels (WVGA)	480 x 272 pixels
Effective Display Area	344.23 x 193.54 mm (13.55 x 7.62 in)	261.12 x 163.2 mm (10.28 x 6.43 in)	222.72 x 125.28 mm (8.77 x 4.93 in)	154.08 x 85.92 mm (6.07 x 3.38 in)	95.04 x 53.86 mm (3.74 x 2.12 in)
Display Colors	16 million colors For details about display colors, refer to the manual of your screen editing software.				
Backlight	White LED (Not user replaceable. When replacement is required, contact customer support.)				
Backlight Service Life	50,000 hours or more (continuous operation at 25 °C [77 °F] before backlight brightness decreases to 25%)				
Brightness Control	16 levels (Adjusted with touch panel or software)				
Touch Panel Type	Resistive film (analog, single touch)				
Touch Panel Resolution	1,024 x 1,024				
Touch Panel lifetime	1,000,000 times or more				

## Electrical Specifications

	ST-6700WA	ST-6600WA	ST-6500WA	ST-6400WA	ST-6200WA		
Model No.	PFXST6700WAD (BLUE) PFXST6700WADE (GP-Pro EX)	PFXST6600WAD (BLUE) PFXST6600WADE (GP-Pro EX)	PFXST6500WAD (BLUE) PFXST6500WADE (GP-Pro EX)	PFXST6400WAD (BLUE) PFXST6400WADE (GP-Pro EX)	PFXST6200WAD (BLUE) PFXST6200WADE (GP-Pro EX)		
Rated Input Voltage	24 Vdc						
Input Voltage Limits	19.2 to 28.8 Vdc						
Voltage Drop	10 ms or less			5 ms or less	2 ms or less		
Power Consumption	Max	18.5 W	18.4 W	12.6 W	9 W	6.9 W	
	When power is not supplied to external devices	15 W or less			9.6 W or less	5.5 W or less	3.6 W or less
	When screen turns off the backlight (Standby Mode)	5.4 W or less	5.9 W or less	4.6 W or less	3.6 W or less	2.8 W or less	
	In-Rush Current	30 A or less					
Noise immunity	Noise voltage: 1,000 Vp-p, pulse duration: 1 μs, rise time: 1 ns (via noise simulator)						
Voltage Endurance	1,000 Vac, 20 mA for 1 minute (between charging and FG terminals)						
Insulation Resistance	500 Vdc, 10 MΩ or more						

## ■ Environmental Specification

	ST-6700WA	ST-6600WA	ST-6500WA	ST-6400WA	ST-6200WA
Model No.	PFXST6700WAD (BLUE) PFXST6700WADE (GP-Pro EX)	PFXST6600WAD (BLUE) PFXST6600WADE (GP-Pro EX)	PFXST6500WAD (BLUE) PFXST6500WADE (GP-Pro EX)	PFXST6400WAD (BLUE) PFXST6400WADE (GP-Pro EX)	PFXST6200WAD (BLUE) PFXST6200WADE (GP-Pro EX)
Ambient air temperature	0 to 50 °C (32 to 122 °F)				
Storage Temperature	-20 to 60 °C (-4 to 140 °F)				
Ambient air and storage humidity	10%...90% RH (Non condensing, wet bulb temperature 39 °C [102.2 °F] or less)				
Dust	0.1 mg/m3 (10-7 oz/ft3) or less (non-conductive levels)				
Pollution Degree	For use in Pollution Degree 2 environment				
Corrosive Gases	Free of corrosive gases				
Air pressure (altitude range)	800 to 1,114 hPa (2,000 m [6,561 ft.] above sea level or less)				
Vibration Resistance	IEC/EN 61131-2 compliant 5 to 9 Hz single amplitude 3.5 mm [0.14 in.] 9 to 150 Hz fixed acceleration: 9.8 m/s <sup>2</sup> X, Y, Z directions for 10 cycles (approx. 100 min.)				
Shock Resistance	IEC/EN 61131-2 compliant 147 m/s <sup>2</sup> , X, Y, Z directions for 3 times				
Electrical fast transient/burst	IEC 61000-4-4 2 kV: Power port (display unit) 1 kV: Signal ports				
Electrostatic Discharge Immunity	Contact Discharge Method: 6 kV Air Discharge Method: 8 kV (IEC/EN61000-4-2 Level 3)				

## ■ Interface Specification

	ST-6700WA	ST-6600WA	ST-6500WA	ST-6400WA	ST-6200WA
Model No.	PFXST6700WAD (BLUE) PFXST6700WADE (GP-Pro EX)	PFXST6600WAD (BLUE) PFXST6600WADE (GP-Pro EX)	PFXST6500WAD (BLUE) PFXST6500WADE (GP-Pro EX)	PFXST6400WAD (BLUE) PFXST6400WADE (GP-Pro EX)	PFXST6200WAD (BLUE) PFXST6200WADE (GP-Pro EX)
Serial (COM1)	Asynchronous Transmission: RS-232C, Data Length: 7 or 8 bits, Stop Bit: 1 or 2 bits, Parity: None, Even or Odd, Data Transmission Speed: 2,400 to 115,200 bps, Connector: D-Sub 9 (plug)				Asynchronous Transmission: RS-232C/422/485*1, Data Length: 7 or 8 bits, Stop Bit: 1 or 2 bits, Parity: None, Even or Odd, Data Transmission Speed: 2,400 to 115,200 bps, Connector: D-Sub 9 (plug)
Serial (COM2)	Asynchronous Transmission: RS-422/485, Data Length: 7 or 8 bits, Stop Bit: 1 or 2 bits, Parity: None, Even or Odd, Data Transmission Speed: 2,400 to 115,200 bps, Connector: D-Sub 9 (plug)				-
USB (Type A)	Conforms to USB 2.0 (Type A) x 1 Power supply voltage: 5 Vdc ±5 % Output Current: 500 mA/port Maximum transmission distance : 5 m [16.4 ft.]				
USB (micro-B)	Conforms to USB 2.0 (micro-B) x 1, Maximum transmission distance : 5 m [16.4 ft.]				
Ethernet	IEEE802.3i/IEEE802.3u, 10BASE-T/100BASE-TX, Connector: Modular jack (RJ-45) x 2				IEEE802.3i/IEEE802.3u, 10BASE-T/100BASE-TX, Connector: Modular jack (RJ-45) x 1

\*1 COM port supports RS-232C only. RS-422/485 will be available in 2021.

## ■ Structural Specification

	ST-6700WA	ST-6600WA	ST-6500WA	ST-6400WA	ST-6200WA
Model No.	PFXST6700WAD (BLUE) PFXST6700WADE (GP-Pro EX)	PFXST6600WAD (BLUE) PFXST6600WADE (GP-Pro EX)	PFXST6500WAD (BLUE) PFXST6500WADE (GP-Pro EX)	PFXST6400WAD (BLUE) PFXST6400WADE (GP-Pro EX)	PFXST6200WAD (BLUE) PFXST6200WADE (GP-Pro EX)
Grounding	Functional grounding: Grounding resistance of 100 Ω, 2 mm <sup>2</sup> (AWG 14) or thicker wire, or your country's applicable standard.				
Cooling Method	Natural air circulation				
Structure	IP65F, Type 1, Type 4X (indoor use only), Type 13 (on the front panel when properly installed in an enclosure)				
External Dimensions	412 x 268 x 50 mm (16.22 x 10.55 x 1.97 in)	313 x 235 x 50 mm (12.32 x 9.25 x 1.97 in)	273 x 203 x 47 mm (10.75 x 7.99 x 1.85 in)	208 x 153 x 45 mm (8.19 x 6.02 x 1.77 in)	134.5 x 108.5 x 43 mm (5.3 x 4.27 x 1.69 in)
Panel Cut Dimensions	394 x 250 mm (15.51 x 9.84 in)*1 Panel thickness area: 1.6...5 mm (0.06...0.2 in)*2	295 x 217 mm (11.61 x 8.54 in)*1 Panel thickness area: 1.6...5 mm (0.06...0.2 in)*2	255 x 185 mm (10.04 x 7.28 in)*1 Panel thickness area: 1.6...5 mm (0.06...0.2 in)*2	190 x 135 mm (7.48 x 5.31 in)*1 Panel thickness area: 1.6 to 5 mm(0.06 to 0.2 in)*2	118.5 x 92.5 mm (4.67 x 3.64 in)*1 Panel thickness area*2: 1.6 to 5 mm (0.06 to 0.2 in) When using spring clips: Position 1: 1.5 to 4 mm (0.06 to 0.16 in) Position 2: 4 to 6 mm (0.16 to 0.24 in)
Weight	2.7 kg (5.95 lb) or less	1.8 kg (3.97 lb) or less	1.3 kg (2.87 lb) or less	0.8 kg (1.76 lb) or less	0.4 kg (0.88 lb) or less

\*2 For dimensional tolerance, everything +1/-0 mm (+0.04/-0 in) and R in angle are below R3 (R0.12 in)

\*3 Even if the installation wall thickness is within the recommended range for the "Panel Cut Dimensions", depending on wall's material, size, and installation location of this product and other...

## ■ Memory (Editor : BLUE)

		ST-6700WA	ST-6600WA	ST-6500WA	ST-6400WA	ST-6200WA
Model No.		PFXST6700WAD	PFXST6600WAD	PFXST6500WAD	PFXST6400WAD	PFXST6200WAD
Application Memory	Editor : BLUE	FLASH EPROM				
	Removable system	128MB				
Backup Memory	Editor : BLUE	NVRAM 500KB				
	Battery	Replaceable battery / Primary battery for clock data backup				

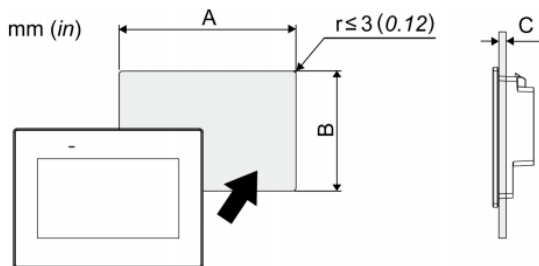
## ■ Memory (Editor : GP-Pro EX)

		ST-6700WA	ST-6600WA	ST-6500WA	ST-6400WA	ST-6200WA
Model No.		PFXST6700WADE	PFXST6600WADE	PFXST6500WADE	PFXST6400WADE	PFXST6200WADE
Application memory	Editor : GP-Pro EX	Media	FLASH EPROM			
		Screen area*1	64 MB			
		User font area	8 MB			
		Logic program area	132KB (Equivalent to 15,000 steps)			
		Free space	-			
Removable system		No				
Backup memory	Editor : GP-Pro EX	Screen area	SRAM 320 KB			
		Variable area	SRAM 64 KB			
	Battery	Replaceable battery / Primary battery for clock data backup				

\*1 Use the screen area when the user font area's capacity is exceeded – for example, when an image font or a picture font is used –.

## ■ Panel Cut Dimensions

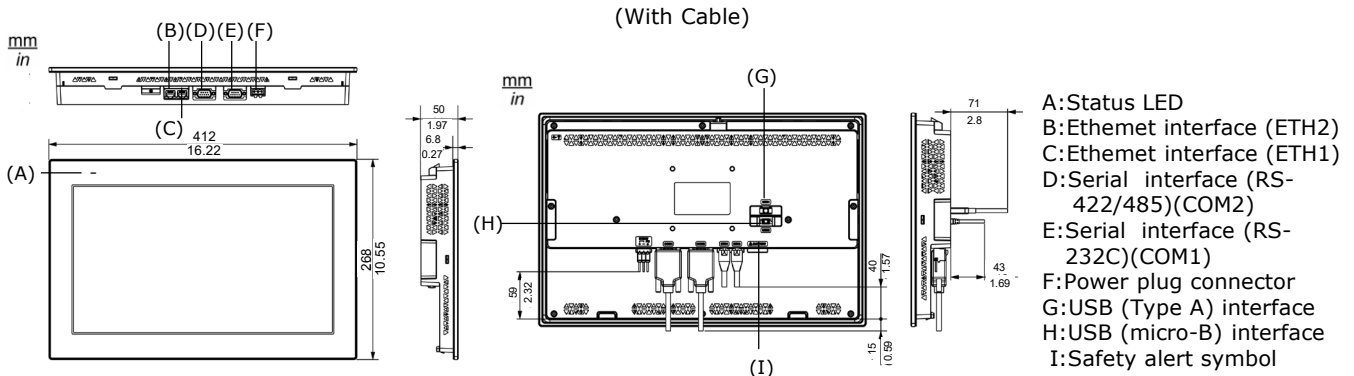
Based on the panel cut dimensions, open a mount hole on the panel.



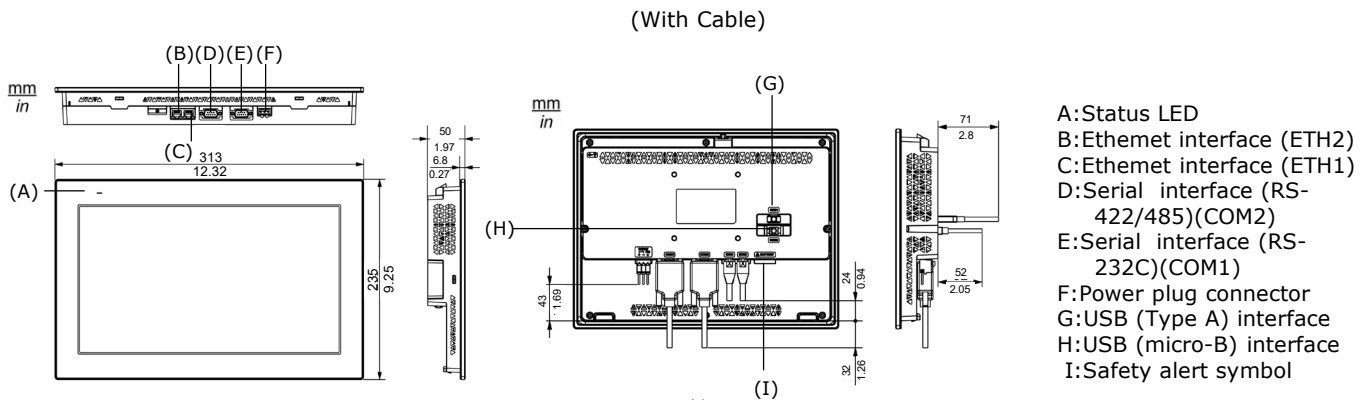
Model name	A	B	C
ST-6700WA	394 mm (+1/-0 mm) (15.51 in [+0.04/-0 in])	250 mm (+1/-0 mm) (9.84 in [+0.04/-0 in])	1.6...5mm (0.06..0.2 in)
ST-6600WA	295 mm (+1/-0 mm) (11.61 in [+0.04/-0 in])	217 mm (+1/-0 mm) (8.54 in [+0.04/-0 in])	When installing ST-6200WA with spring clips: Position 1: 1.5...4 mm (0.06..0.16 in) Position 2: 4...6 mm (0.06..0.24 in)
ST-6500WA	255 mm (+1/-0 mm) (10.04 in [+0.04/-0 in])	185 mm (+1/-0 mm) (7.28 in [+0.04/-0 in])	
ST-6400WA	190 mm (+1/-0 mm) (7.48 in [+0.04/-0 in])	135 mm (+1/-0 mm) (5.31 in [+0.04/-0 in])	NOTE: For the position, refer to the installation Procedure (ST-6200WA) (see manual page 65)
ST-6200WA	118.5 mm (+1/-0 mm) (4.67 in [+0.04/-0 in])	92.5 mm (+1/-0 mm) (3.64 in [+0.04/-0 in])	

## External Dimensions / Parts Identification

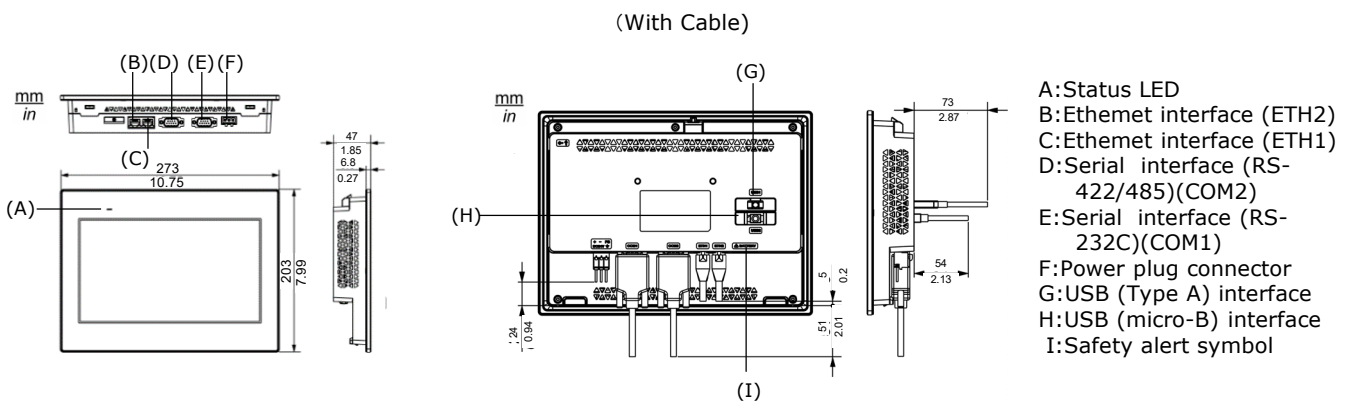
### ST-6700WA



### ST-6600WA

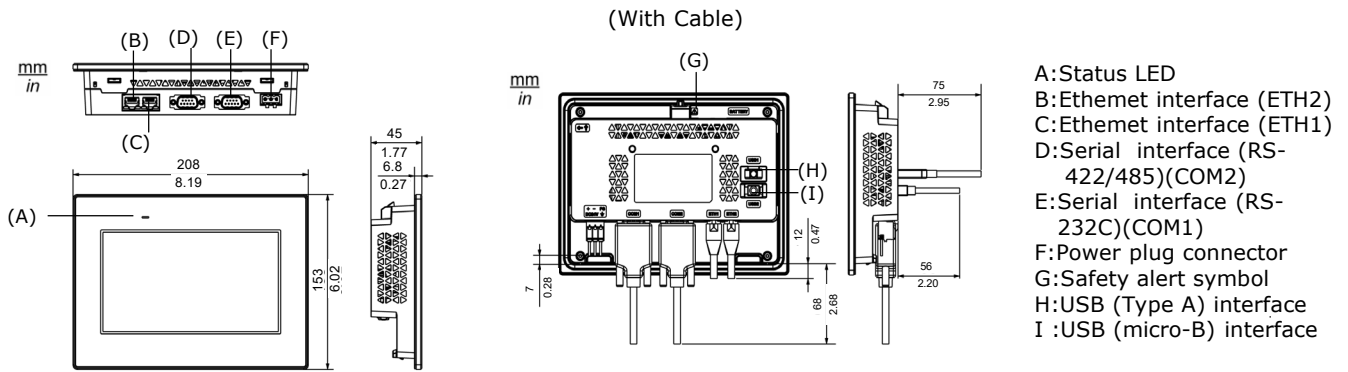


### ST-6500WA



## External Dimensions / Parts Identification

### ST-6400WA



### ST-6200WA

