



Easy! Smooth! Replacement Guidebook (Hardware)

GP4000E→ET6000

The 1st Edition Dec. 2021

Update History

Date	Edition	Updated Slide	Description
15/Dec/2021		-	Newly created

Preface

This guidebook introduces the procedures to replace a unit from “GP4000E series” to a “ET6000 series”.
The recommended substitute models are as follows.

Model in use		Recommended substitutes
GP-4402WW	PFXGP4402WADW	PFXET6400WAD
GP-4502WW	PFXGP4502WADW	PFXET6500WAD
GP-4502WW	PFXGP4502WADW	PFXET6600WAD *1

*1:Size-up migration.

Safety Information

HAZARD OF OPERATOR INJURY, OR UNINTENDED EQUIPMENT DAMAGE

- Before operating any of these products, be sure to read all related manuals thoroughly.
- Be sure to do installation, connection, and maintenance by a person who is familiar with the construction method of electrical equipment, related laws and regulations, and has appropriate technology.

We shall not be liable for any serious injury to human life, damage to equipment, or any other consequences if used without observing these.

Agenda

0

Summary

1

Specification Comparison

GP-4402WW vs ET-6400WA

[1.1 Basic Information](#)

[1.2 Interface](#)

GP-4502WW vs ET-6500WA

[1.1 Basic Information](#)

[1.2 Interface](#)

GP-4502WW vs ET-6600WA

[1.1 Basic Information](#)

[1.2 Interface](#)

2

Standards compatibility

3

Hardware compatibility

4

Option compatibility

5

Software compatibility

6

About Resolutions

7

GP-Pro EX Feature differences

8

Other important notes

Summary

The replacement from GP4000E series to ET6000 series generally keeps compatibility, but the following points are the main points to note.

- Display size: GP-4502WW to ET-6600WA is size up migration purpose, so display size is bigger.

GP4000E series	ET6000 series
10.1"W	12.1"W

- Display resolution: GP-4402WW and ET-6400WA have the same resolution so easy to migrate the project. ET-6500WA has a better resolution than GP-4502WW but need to convert resolution by the software to use old project data from GP-4502WW. For more details, please refer to Chapter1 from the software replacement procedure "Replacement Guidebook (Software)_EN_ver2. pdf".

GP-4402WW	800 x 480 pixels (WVGA)	ET-6400WA	800 x 480 pixels (WVGA)
GP-4502WW	800 x 480 pixels (WVGA)	ET-6500WA	1024 x 600 pixels (WSVGA)
-	-	ET-6600WA	1280 x 800 pixels (WXGA)

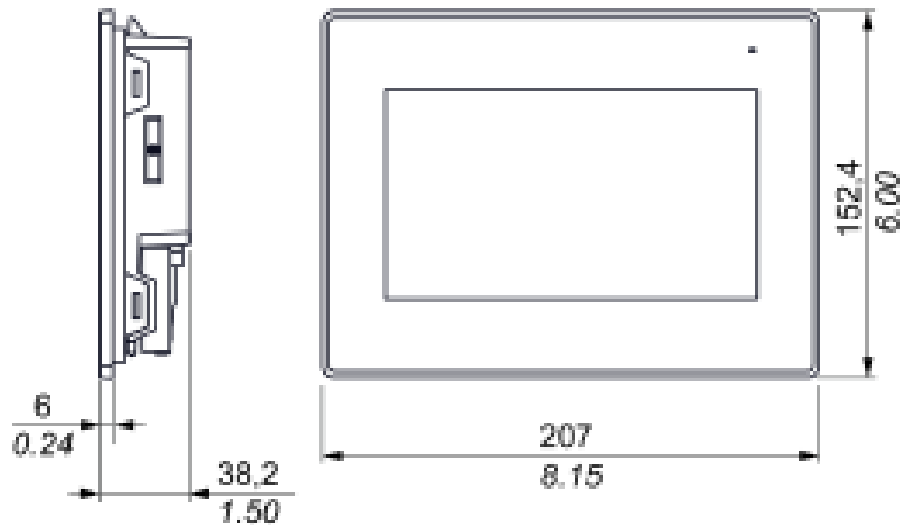
- External Dimensions: ET6000 series will be thicker than GP4000E series, it is necessary to check the dimensions of the HMI installation location. Please see the next page for the comparison.

Summary

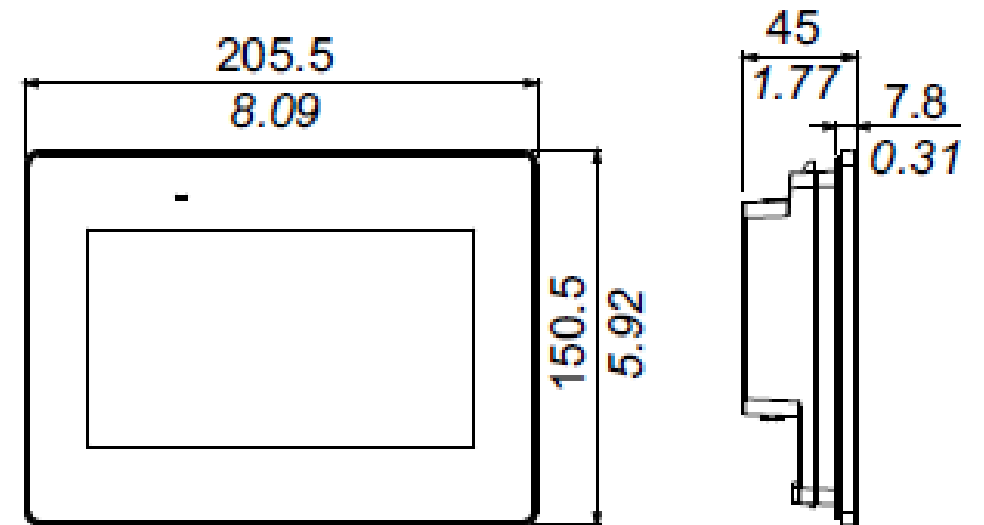
External Dimensions : GP-4402WW vs ET-6400WA

GP-4402WW	ET-6400WA	Differences from GP-4402WW to ET-6400WA (mm)
W207 x H152.4 x D38.2	W205.5 x H150.5 x D45	W-1.5 x H-1.9 x D+6.8

GP-4402W



ET-6400WA

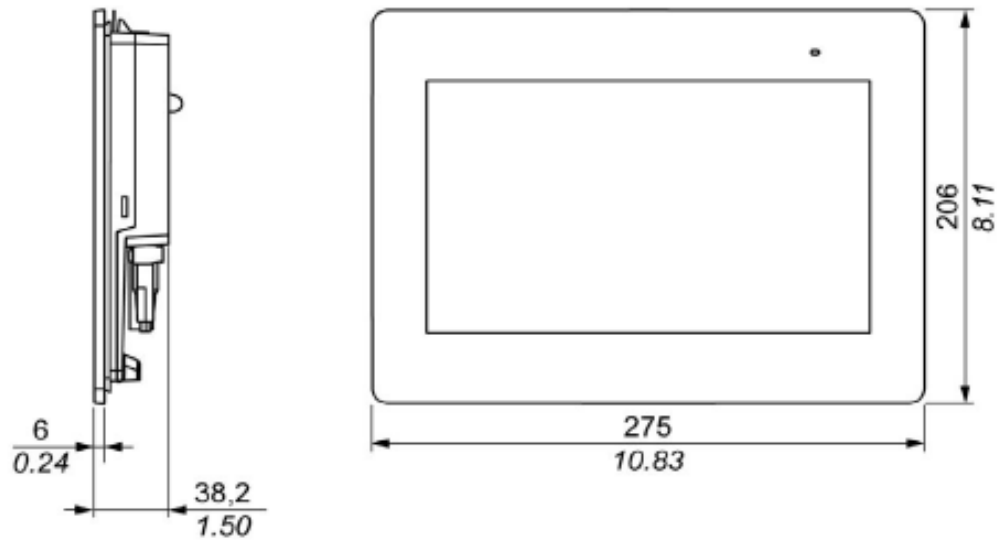


Summary

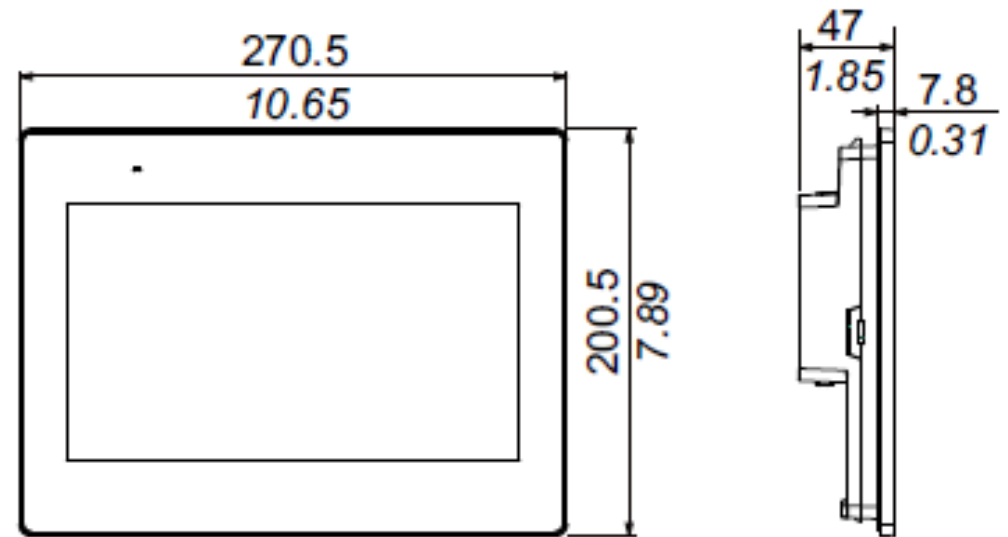
External Dimensions : GP-4502WW vs ET-6500WA

GP-4502WW	ET-6500WA	Differences from GP-4502WW to ET-6500WA (mm)
W275 x H206 x D38.2	W270.5 x H200.5 x D47	W-4.5 x H-5.5 x D+8.8

GP-4502W



ET-6500WA

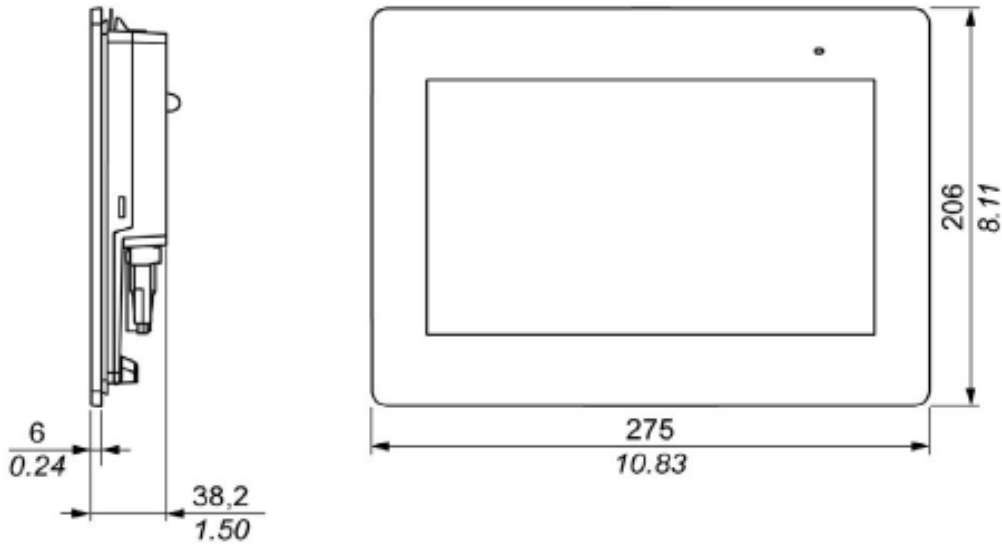


Summary

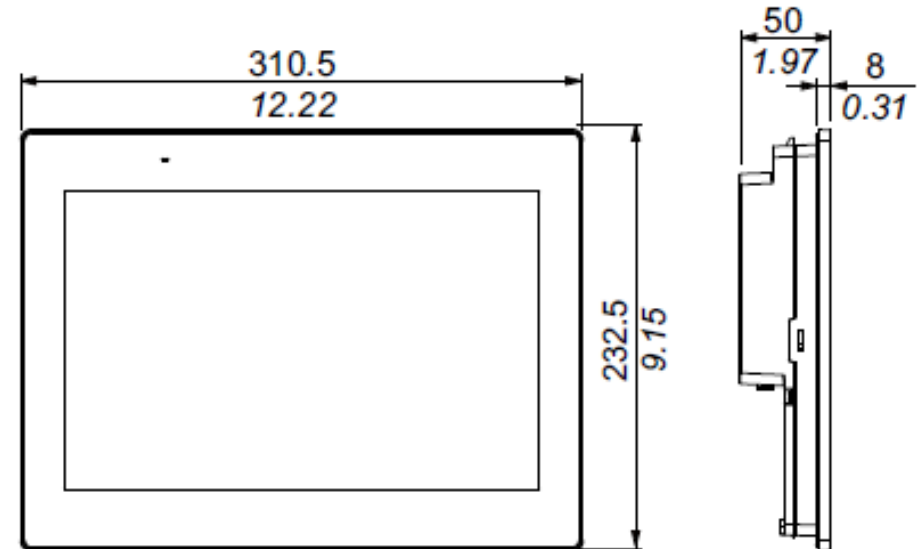
External Dimensions : GP-4502WW vs ET-6600WA

GP-4502WW	ET-6600WA	Differences from GP-4502WW to ET-6600WA (mm)
W275 x H206 x D38.2	W310.5 x H232.5 x D50	W+35.5 x H+26.5 x D+11.8

GP-4502W



ET-6600WA



1. GP-4402WW vs ET-6400WA Specification comparison -1. Basic information-

		GP-4402WW	ET-6400WA	Compatibility
Display Size		7" Wide	7" Wide	○
Display Type		TFT color LCD	TFT color LCD	○
Display Colors		65,536 color	16 million color	UP!
Display Resolution		800 x 480 pixels (WVGA)	800 x 480 pixels (WVGA)	○
Backlight		White LED (Not replaceable)	White LED (Not replaceable)	○
	Service life	20,000 hours or more (continuous operation at 25 ° C [77 ° F] before backlight brightness decreases to 50%)	50,000 hours or more (continuous operation at 25 ° C [77 ° F] before backlight brightness decreases to 25%)	○
Panel Cutout Dimensions		190mm x 135mm x 1~5mm	190mm x 135mm x 1.6~5mm	○
External Dimensions		W207 x H152.4 x D38.2	W205.5 x H150.5 x D45	×
Touch Panel	Type	Resistive film (analog, single touch)	Resistive film (analog, single touch)	○
	Service life	1 million times or more	1 million times or more	○
Memory	Application	FLASH EPROM 32MB	FLASH EPROM 32MB	○
	Backup Memory	NAND 128KB	SRAM 128KB	○ Please refer to the FAQ for the available capacity of each memory.
Backup Battery		Replaceable battery/ Primary battery for clock data backup	Replaceable battery / Primary battery for clock data backup	○
Input Voltage		24Vdc	24Vdc	○

1. GP-4402WW vs ET-6400WA Specification comparison -2. Interface-

		GP-4402WW	ET-6400WA	Compatibility
Serial I/F	COM1	RS-232C (D-Sub 9pin Plug)	RS-232C (D-Sub 9pin Plug)	○ Please check the manual for the communication cable.
	COM2	RS-422/RS-485 (D-Sub 9pin Plug)	RS-422/RS-485 (D-Sub 9pin Plug)	
Ether net I/F		x1: IEEE802.3i/ IEEE802.3u, 10BASE-T/100BASE-TX (RJ-45)	x1: IEEE802.3i/IEEE802.3u, 10BASE-T/100BASE-TX (RJ-45)	○
CF Card I/F		-	-	○
SD Card I/F		-	-	○
USB I/F	Type A	x1 USB2.0	x1 USB 2.0	○
	Type mini B	x1 USB2.0 -USB data transfer cable(ZC9USCBMB1) or commercial USB miniB transfer cable	-	× Please use Type micro B instead.
	Type micro B	-	x1 USB 2.0 -USB transfer cable(PFXZUSCBMB2) or commercial USB microB transfer cable	UP!
Auxiliary I/O I/F		-	-	○
Sound Output I/F		-	-	○
Field Bus / Expansion Unit I/F		-	-	○

Hardware Manual: <https://www.proface.com/en/download/et6000/manuals>

1. GP-4502WW vs ET-6500WA Specification comparison -1. Basic Information-

		GP-4502WW	ET-6500WA	Compatibility
Display Size		10.1" Wide	10.1" Wide	○
Display Type		TFT color LCD	TFT color LCD	○
Display Colors		65,536 color	16 million color	UP!
Display Resolution		800 x 480 pixels (WVGA)	1024 x 600 pixels (WSVGA)	UP!
Backlight		White LED (Not replaceable)	White LED (Not replaceable)	○
	Service Life	20,000 hours or more (continuous operation at 25 ° C [77 ° F] before backlight brightness decreases to 50%)	50,000 hours or more (continuous operation at 25 ° C [77 ° F] before backlight brightness decreases to 25%)	○
Panel Cutout Dimensions		255mm x 185mm x 1~5mm	255mm x 185mm x 1.6~5mm	○
External Dimensions (mm)		W275 x H206 x D38.2	W270.5 x H200.5 x D47	×
Touch Panel	Type	Resistive film (analog, single touch)	Resistive film (analog, single touch)	○
	Service Life	1 million times or more	1 million times or more	○
Memory	Application	FLASH EPROM 32MB	FLASH EPROM 64MB	UP!
	Backup Memory	NAND 128KB	SRAM 128KB	Please refer to the FAQ for the available capacity of each memory.
Backup Battery		Replaceable battery/ Primary battery for clock data backup	Replaceable battery / Primary battery for clock data backup	○
Input Voltage		24Vdc	24Vdc	○

1. GP-4502WW vs ET-6500WA Specification comparison -2. Interface-

		GP-4502WW	ET-6500WA	Compatibility
Serial I/F	COM1	RS-232C (D-Sub 9pin Plug)	RS-232C (D-Sub 9pin Plug)	○ Please check the manual for the communication cable.
	COM2	RS-422/RS-485 (D-Sub 9pin Plug)	RS-422/RS-485 (D-Sub 9pin Plug)	
Ethernet I/F		x1: IEEE802.3i/ IEEE802.3u, 10BASE-T/100BASE-TX (RJ-45)	x1: IEEE802.3i/IEEE802.3u, 10BASE-T/100BASE-TX (RJ-45)	○
CF card I/F		-	-	○
SD card I/F		-	-	○
USB I/F	Type A	x1 USB2.0	x1 USB 2.0	○
	Type mini B	x1 USB2.0 -USB data transfer cable(ZC9USCBMB1) or commercial USB miniB transfer cable	-	× Please use Type micro B instead.
	Type micro B	-	x1 USB 2.0 -USB transfer cable(PFXZUSCBMB2) or commercial USB microB transfer cable	UP!
Auxiliary I/O I/F		-	-	○
Sound Output I/F		-	-	○
Field Bus / Expansion Unit I/F		-	-	○

Hardware Manual: <https://www.proface.com/en/download/et6000/manuals>

1. GP-4502WW vs ET-6600WA Specification comparison -1. Basic Information-

		GP-4502WW	ET-6600WA	Compatibility
Display Size		10.1" Wide	12.1" Wide	UP!
Display Type		TFT color LCD	TFT color LCD	○
Display Colors		65,536 color	16 million color	UP!
Display Resolution		800 x 480 pixels (WVGA)	1280 x 800 pixels (WXGA)	UP!
Backlight		White LED (Not replaceable)	White LED (Not replaceable)	○
	Service Life	20,000 hours or more (continuous operation at 25 ° C [77 ° F] before backlight brightness decreases to 50%)	50,000 hours or more (continuous operation at 25 ° C [77 ° F] before backlight brightness decreases to 25%)	○
Panel Cutout Dimensions		255mm x 185mm x 1~5mm	295mm x 217mm x 1.6~5mm	×
External Dimensions		W275 x H206 x D38.2	W310.5 x H232.5 x D50	×
Touch Panel	Type	Resistive film (analog, single touch)	Resistive film (analog, single touch)	○
	Service Life	1 million times or more	1 million times or more	○
Memory	Application	FLASH EPROM 32MB	FLASH EPROM 64MB	UP!
	Backup Memory	NAND 128KB	SRAM 128KB	Please refer to the FAQ for the available capacity of each memory.
Backup Battery		Replaceable battery/ Primary battery for clock data backup	Replaceable battery / Primary battery for clock data backup	○
Input Voltage		24Vdc	24Vdc	○

1. GP-4502WW vs ET-6600WA Specification comparison -2. Interface-

		GP-4502WW	ET-6600WA	Compatibility
Serial I/F	COM1	RS-232C (D-Sub 9pin Plug)	RS-232C (D-Sub 9pin Plug)	○ Please check the manual for the communication cable.
	COM2	RS-422/RS-485 (D-Sub 9pin Plug)	RS-422/RS-485 (D-Sub 9pin Plug)	
Ethernet I/F		x1: IEEE802.3i/ IEEE802.3u, 10BASE-T/100BASE-TX (RJ-45)	x1: IEEE802.3i/IEEE802.3u, 10BASE-T/100BASE-TX (RJ-45)	○
CF card I/F		-	-	○
SD card I/F		-	-	○
USB I/F	Type A	x1 USB2.0	x1 USB 2.0	○
	Type mini B	x1 USB2.0 -USB data transfer cable(ZC9USCBMB1) or commercial USB miniB transfer cable	-	× Please use Type micro B instead.
	Type micro B	-	x1 USB 2.0 -USB transfer cable(PFXZUSCBMB2) or commercial USB microB transfer cable	UP!
Auxiliary I/O I/F		-	-	○
Sound Output I/F		-	-	○
Field Bus / Expansion Unit I/F		-	-	○

Hardware Manual: <https://www.proface.com/en/download/et6000/manuals>

2. Standards compatibility

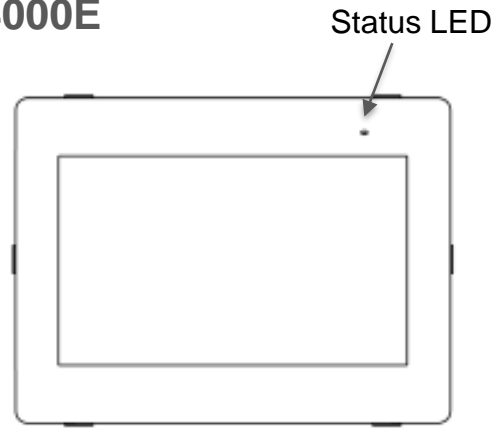
* ○ Supported
× Not Supported

Certification	GP4000E	ET6000
CE (EN61000-6-4, EN61000-6-2, EN61131-2)	○	○
UKCA for UK	-	○
UL/cUL	○ (UL508 CSA C22.2 No.142)	○ (UL61010-2-201) (CSA C22.2 No.61010-2-201)
UL/cUL Class 1, Div. 2	×	×
ATEX (Zones 2/22, equipment category 3 Gas Dust)	×	×
IECEX (Zones 2/22, equipment category 3 Gas Dust)	×	×
KCs	×	×
NEPSI -> CCC Ex	×	×
RCM (C-Tick)	×	×
EAC (GOST-R)	○	○*1
RoHS for EU	○	○
RoHS for China	○	○
REACH	○	○
CCC *apply for CCC exemption	×	×
KC	○	○
Marine (DNV-GL, ABS, LR, BV, NK, RINA, CCS)	×	×
WEEE	○	○

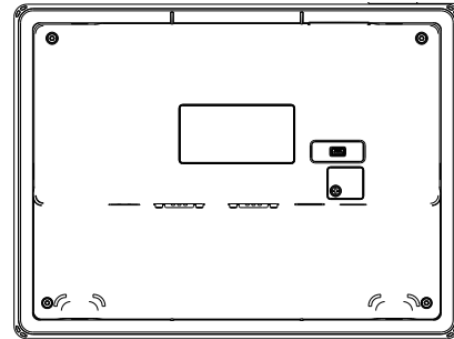
*1: Certification is already available but Marking on the product will be supported later.(Please contact our Customer Service for the latest information.)

3. Hardware compatibility

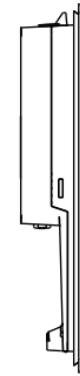
GP4000E



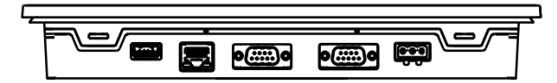
Display Front



Display Back

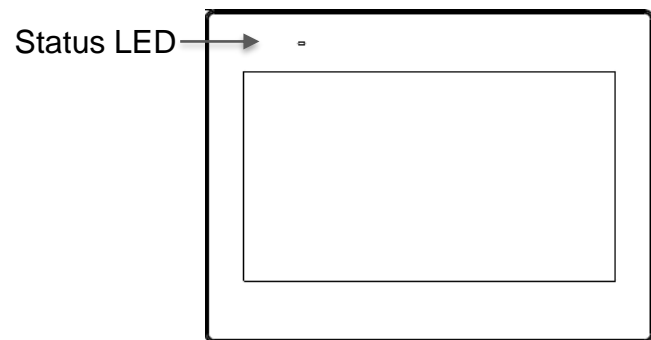


Left

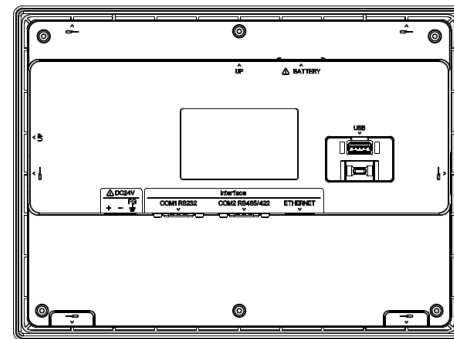


Bottom

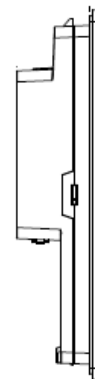
ET6000



Display Front



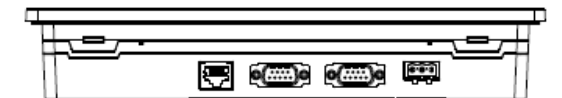
Display Back



Left

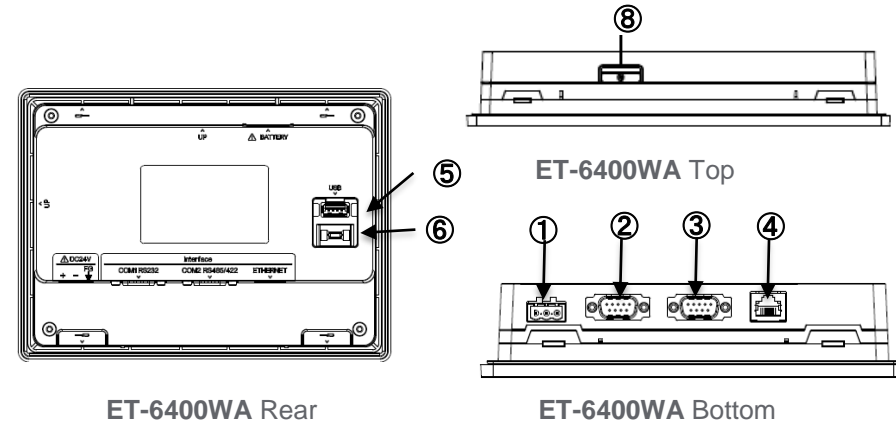
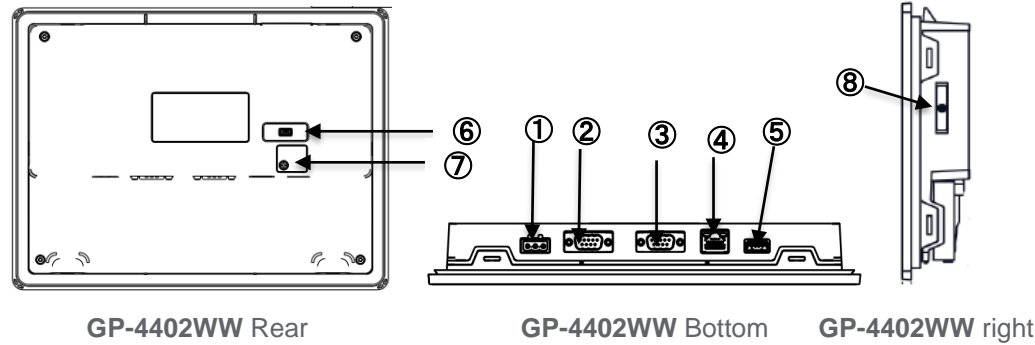


ET-6600 Bottom



ET-6400/6500 Bottom

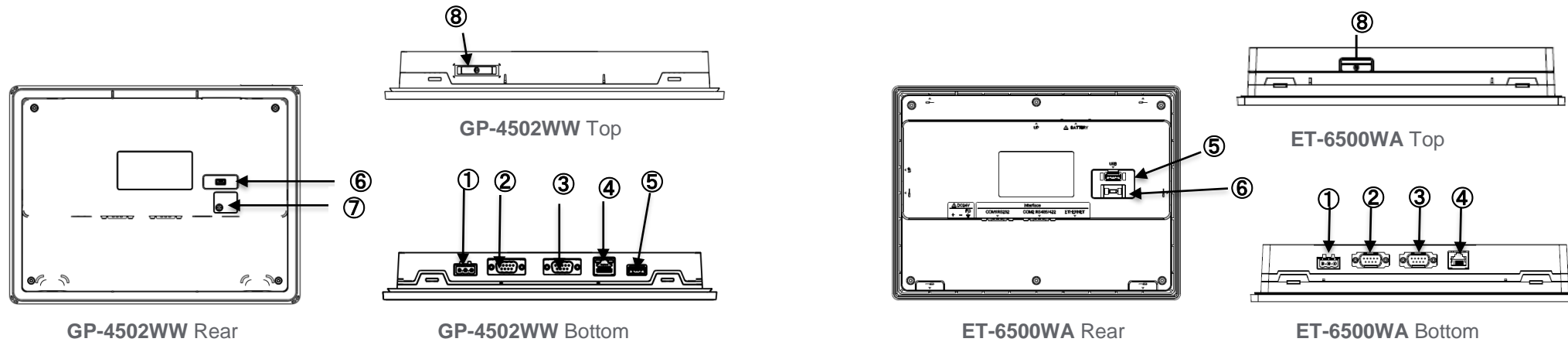
3. Hardware compatibility



	GP-4402WW	ET-6400WA
①	Power Connector (DC)	Power Connector (DC)
②	Serial Interface RS-232C (COM1)	Serial Interface RS-232C (COM1)
③	Serial Interface RS-422/485 (COM2)	Serial Interface RS-422/485 (COM2)
④	Ethernet Interface	Ethernet Interface
⑤	USB (Type A) Interface	USB (Type A) Interface
⑥	USB (mini-B) Interface	USB (micro-B) Interface
⑦	Locker USB (Type A)	-
⑧	Battery Slot	Battery Slot

Please check the hardware manual for details such as interface specifications and pin assignments. :
 Hardware Manual: <https://www.proface.com/en/download/et6000/manuals>

3. Hardware compatibility

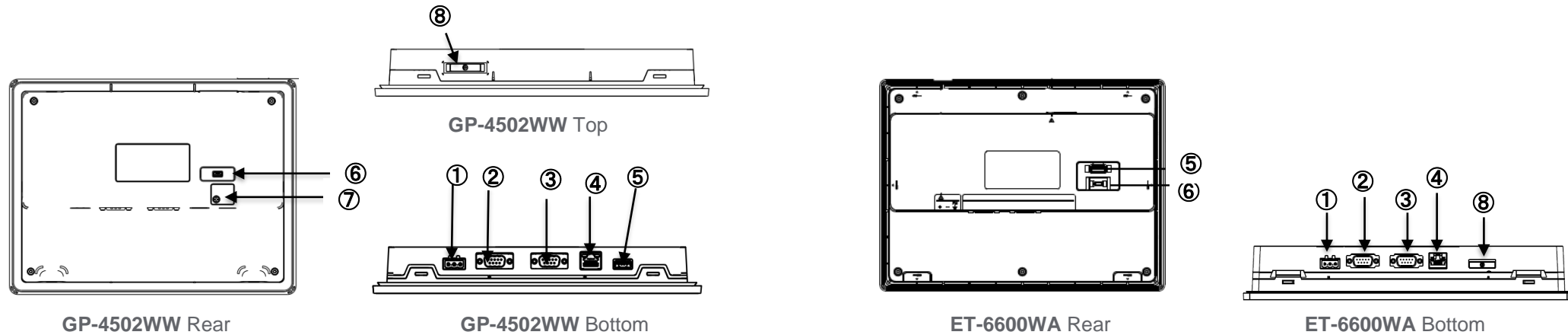


	GP-4502WW	ET-6500WA
①	Power Connector (DC)	Power Connector (DC)
②	Serial Interface RS-232C (COM1)	Serial Interface RS-232C (COM1)
③	Serial Interface RS-422/485 (COM2)	Serial Interface RS-422/485 (COM2)
④	Ethernet Interface	Ethernet Interface
⑤	USB (Type A) Interface	USB (Type A) Interface
⑥	USB (mini-B) Interface	USB (micro-B) Interface
⑦	Locker USB (Type A)	-
⑧	Battery Slot	Battery Slot

Please check the hardware manual for details such as interface specifications and pin assignments. :

Hardware Manual: <https://www.proface.com/en/download/et6000/manuals>

3. Hardware compatibility



	GP-4502WW	ET-6600WA
①	Power Connector (DC)	Power Connector (DC)
②	Serial Interface RS-232C (COM1)	Serial Interface RS-232C (COM1)
③	Serial Interface RS-422/485 (COM2)	Serial Interface RS-422/485 (COM2)
④	Ethernet Interface	Ethernet Interface
⑤	USB (Type A) Interface	USB (Type A) Interface
⑥	USB (mini-B) Interface	USB (micro-B) Interface
⑦	Locker USB (Type A)	-
⑧	Battery Slot	Battery Slot

Please check the hardware manual for details such as interface specifications and pin assignments. :
 Hardware Manual: <https://www.proface.com/en/download/et6000/manuals>

4. Option compatibility

* ○ Compatible
× Not Compatible

	Product Name	GP-4*02WW	ET-6*00WA	Description	Compatibility
Serial Interface *1	RS-232C Cable (5m)	CA3-CBL232/5M-01	CA3-CBL232/5M-01	Connects a host controller to the GP unit. (RS-232C)	○
	Mitsubishi Q-Series Link Cable (5m)	CA3-CBLLNKMQ-01	CA3-CBLLNKMQ-01	Connects Mitsubishi PLC Q-Series (or other host controller) to the GP unit. (RS-232C)	○
	Omron SYSMAC Link Cable (5m)	CA3-CBLSYS-01	CA3-CBLSYS-01	Connects Omron PLC SYSMAC Series unit (or other host controller) to the GP unit. (RS-232C)	○
	Siemens TTY Converter Cable (5m)	CA6-CBLTTY/5M-01	CA6-CBLTTY/5M-01	Connects Siemens PLC S5 Series to the GP unit	○
	Mitsubishi A-Series Connection Cable (5m)	CA3-CBLA-01	CA3-CBLA-01	Connects Mitsubishi PLC A, QnA Series programming console I/F to GP unit. (Simultaneous use of programming console is not possible.)	○
	Mitsubishi Q-Series Connection Cable (5m)	CA3-CBLQ-01	CA3-CBLQ-01	Connects Mitsubishi PLC Q-Series programming console I/F to GP unit. (Simultaneous use of programming console is not possible.)	○
	Mitsubishi FX-Series Connection Cable	CA3-CBLFX/1M-01 (1m) CA3-CBLFX/5M-01 (5m)	CA3-CBLFX/1M-01 (1m) CA3-CBLFX/5M-01 (5m)	Connects Mitsubishi PLC FX-Series programming console I/F and GP unit. (Simultaneous use of programming console is not possible.)	○
	RS-422 Cable (5m)	CA3-CBL422-01	CA3-CBL422-01	Connects a host controller to the GP unit. (RS-422 / Plug Type)	○
	2 Port Adapter Cable (5m)	CA3-MDCB11	CA3-MDCB11	Connects Mitsubishi PLC to the GP unit using 2 port adapter II (RS-422).	○
	Mitsubishi A/QnA/FX Series 2 Port Adapter II	GP070-MD11	GP070-MD11	Allows simultaneous use of an GP unit Series unit and a Mitsubishi PLC A, QnA, FX Series peripheral device.	○
	Terminal Block Conversion Adapter	CA3-ADPTRM-01	CA3-ADPTRM-01	Connects output from a serial interface with an RS-422 terminal block.	○
	COM Port conversion Adapter	CA3-ADPCOM-01	CA3-ADPCOM-01	Connects optional RS-422 communication items to GP unit's COM1 port.	○
	Multi-Link Cable	CA3-CBLMLT-01 (5m)	CA3-CBLMLT-01 (5m)	Connects a host controller to the GP for multi-link (n:1) communication.	○
	9pin to 25pin RS-232C Conversion Cable	CA3-CBLCBT232-01(0.2m)	-	Connects a standard RS-232C cable (GP Connector, D-Sub 25-pin) to the GP.	×
MPI Cable (3.5m)	ST03-A2B-MPI21-PFE	ST03-A2B-MPI21-PFE	Connects a host controller to the GP unit for MPI communication.	○	

*1: For those require flow control or VCC, GP4000E nor ET6000 do not support.

4. Option compatibility

* ○ Compatible
× Not Compatible

	Product Name	GP-4*02WW	ET-6*00WA	Description	Compatibility
USB Interface	USB Front Cable (1m)	CA5-USBEXT-01	CA5-USBEXT-01	Extension cable attaching USB interface to front panel.	○
	USB- Serial (RS-232C) Conversion Cable(0.5m)	CA6-USB232-01	-	Cable for converting a GP unit's USB interface into a serial interface (RS-232C). Can be used to transfer project data created with the Screen Editor&Logic Program Software via a serial interface.*2	×
	USB Transfer Cable (USB Type A/mini-B) (1.8m)	ZC9USCBMB1	-	Cable for transferring screen data from a PC (USB Type A) to the GP unit (USB mini-B).	NEW! Use "PFXZUSCBMB2" USB micro-B Cable for ET6000.
	USB Transfer Cable (USB Type A/micro-B)	-	PFXZUSCBMB2	Cable for transferring screen data from a PC (USB Type A) to this product (USB micro-B)	
	USB Panel-mount Extension Cable (USB mini-B) (1m)	ZC9USEXMB1	-	Extension cable attaching to the USB (mini-B) interface on the front side of the operation panel.	NEW! Use "PFXZCIEXMB2" USB micro-B for ET6000.
	USB Panel-mount Extension Cable (USB micro-B)	-	PFXZCIEXMB2	Extension cable that attaches USB interface to front panel.	
	USB Clamp Type mini B *3		ZC9USCLMB1	Clamp to prevent disconnection of USB cable (for 1 port, USB Type mini B, 5 pieces/set)	NEW!
	EZ Illumination Switch	PFXZCCEUSG1	-	A unit of 5 illuminated switches with multiple color LED easily connected with GP unit via USB.	
	EZ Fingerprint Recognition Unit	PFXZCCEUSS1	-	Fingerprint recognition unit easily connected with GP unit via USB. . (End of Sale: Dec. 27, 2019)	×
	EZ Numpad	PFXZCCEUKB1	-	Numpad connected to this product via USB.	EZ Series is not supported If you want to use EZ series, please use ST6000 series.
	EZ Tower Light tube mounting with fixing plate	PFXZCETWHA1	-	USB Connection Type Monolithic EZ Tower Light tube mounting with fixing plate 3 tiers, É"60, lighting and flashing with a buzzer.	
	EZ Tower Light with base mounting	PFXZCETWW1	-	USB Connection Type Monolithic EZ Tower with base mounting 3 tiers, É"60, lighting and flashing with a buzzer.	
USB Cable (5m)	FP-US00	FP-US00	Connects a USB printer (TYPE-B)	○	

*2: Requires an RS-232C cable (Prepared by the user) for connection.

*3: USB Clamp mini-B can be used for optional USB micro-B cables.

4. Option compatibility

* ○ Compatible
 × Not Compatible

Product Name		GP-4*02WW	ET-6*00WA	Description	Compatibility	
Other	Wide Screen Protection Sheet	7-inch wide	PFXZCBDS72	-	Disposable, dirt-resistant sheet for the GP unit's screen (5 sheets/set)	× Please use ET6000 option
	UV Protection Sheet	7-inch wide	PFXZCFUV72	-	Ultraviolet protection for the display (1 piece)	× Please use ET6000 option
		10-inch wide	PFXZCFUV102	-		
	Screen Protection Sheet	12-inch wide	-	PFXZCDDS122	Disposable, dirt-resistant sheet for the display for 12-inch Wide screen (5sheets/set)	NEW!
	Screen Protection Sheet with UV Protected	7-inch wide	-	PFXZCIDS72	Disposable, dirt-resistant and ultraviolet protection sheet for 7-inch Wide screen (1 sheet/set).	NEW!
		10-inch wide	-	PFXZCIDS102	Disposable, dirt-resistant and ultraviolet protection sheet for 10-inch Wide screen (1 sheet/set).	
		12-inch wide	-	PFXZCFUV122	Disposable, dirt-resistant and ultraviolet protection sheet for 12-inch Wide screen (1 sheet/set).	
		15-inch wide	-	PFXZCIDS152	Disposable, dirt-resistant and ultraviolet protection sheet for 15-inch Wide screen (1 sheet/set).	
	Wide Installation Gasket	7-inch (Wide for ET6000)	PFXZCCWG7W1	PFXZCWG4W1	Provides dust and moisture resistance when this product is installed into a solid panel for 7-inch wide screen (1 pc)	×
		10-inch (Wide for ET6000)	PFXZCCWG10W1	PFXZCWG5W1	Provides dust and moisture resistance when this product is installed into a solid panel for 10-inch wide screen (1 pc)	
		12-inch Wide	-	PFXZCWG6W1	Provides dust and moisture resistance when this product is installed into a solid panel for 12-inch wide screen (1 pc)	NEW!
		15-inch Wide	-	PFXZCIWG153	Provides dust and moisture resistance when this product is installed into a solid panel for 15-inch wide screen (1 pc)	

4. Option compatibility

* ○ Compatible
 × Not Compatible

	Product Name	GP-4*02WW	ET-6*00WA	Description	Compatibility
Maintenance	DC Power Supply Connector	CA5-DCCNM-01	CA5-DCCNM-01	Connector to connect DC power supply cables (5 pcs/set)	○
	Installation Fastener	PFXZCFAF1	PFXZCFAF1	Used to install the GP into a solid panel (4 pieces/ set) : For GP4000E series	○
		-	PFXZCIAFTF1	Used to install 7-inch, 10-inch and 12-inch Wide model into a solid panel (4 pieces/set). : For ET6000 series	NEW!
	USB Clamp Type A(for 1 port)	-	PFXZCBCLUSA1	Clamp to prevent disconnection of USB cable (for 1 port, USB Type A, 5 pieces/set)	NEW!
	Replacement Battery	PFXZGEBT1	PFXZGEBT1	Primary battery for time data backup (1 piece).	○

5. Software compatibility

* ○ Compatible
× Not Compatible

Software	GP4000E	ET6000	Compatibility of Project data
GP-Pro EX	✓ Ver.2.7 or later *1 https://www.pro-face.com/otasuke/files/manual/gpproex/new/refer/gpproex.htm	✓ Ver 4.09.300 or later	○
BLUE	-	-	-
Pro-Server EX	-	-	If you want to use any Remote monitoring functions, please replace to ST6000 series.
Pro-face Remote HMI (iOS/Android)	-	-	
Pro-face Remote HMI Client for Win	-	-	
Pro-face Connect	-	-	

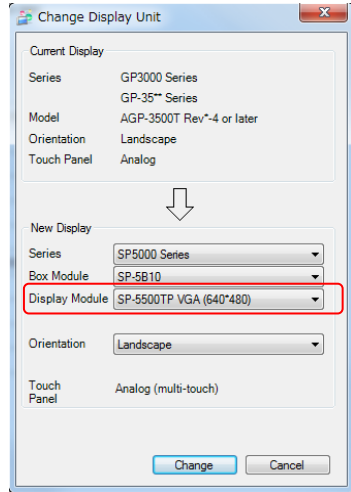
*1: To use some functions such as Alarm Analysis, Ver. 3.0 or later is required.

If you would like to check the software replacement procedure, please check the following.
Replacement Guidebook (Software)_EN_ver2. pdf

6. About Resolutions

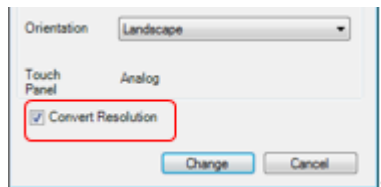
When replacing with a model with a different resolution, Convert the resolution with the following settings.

With GP-Pro EX



The Display Module can be Changed on the “Project” -> “System Settings” -> “Change Display Unit” screen of GP-Pro EX.

If you check on [Convert Resolution] when changing the Display Unit type (as shown below), you can adjust both size and location of the part and the text relative to the display resolution automatically. But please note that their width gets larger due to change of horizontal resolution of the screen area. In this case, confirm their size and location and adjust them if necessary. Please check some examples below.



- A function that requires absolute coordinates. Please adjust the settings manually.
 - **Global window**
 - **Position Animation**
- Due to font size and resolution restrictions, manual changes may be required. Please resize them if needed
 - **Font:** In the case of using Standard font, the size will be smaller. You can improve by using Stroke font or Image font.
 - **Objects**
 - **Parts**
 - **Images**
 - **Alarm parts**
- Position may differ from the original project. Please check the coordinate of the window and adjust if needed.
 - **Window display**

7. GP-Pro EX Feature differences

EX features	GP4000E	ET6000
SIO Transfer (COM Connection)	Yes	No
Increase Alarm Type [Extended] settings and Text Table index numbers	Yes	No
Transferring Sampled Data to the Cloud	Yes	No
XY Graph	Yes	No
Image Sensor Display	Yes	No
Refine search and Soft function for Alarm History/Sampling Data/Enhanced Recipe Data	Yes	No
Alarm Analysis Function	Yes	No
FTP server	Yes	No
GP-Viewer EX	Yes	No
EZ Illuminated Switch	Yes	No
EZ Tower Light	Yes	No
EZ Numpad	Yes	No
EZ Fingerprint Recognition Unit	Yes	No
Logic	Yes	Yes
Email	No	No

If you want to use above functions, please replace to ST6000 series or other models.

8. Other Important notes

- Do not expose the hardware to direct sunlight.
To prevent deterioration due to ultraviolet rays, we recommend using an optional screen protection sheet.
- Do not use the hardware outdoors.
- Do not turn on the hardware if condensation has occurred inside the device.
- The panel brightness may decrease when used for a long time in an environment continuously filled with inert gas.
Please ventilate the control panel periodically.

Pro-faceTM

by Schneider Electric

VICPAS
HMI Parts Center