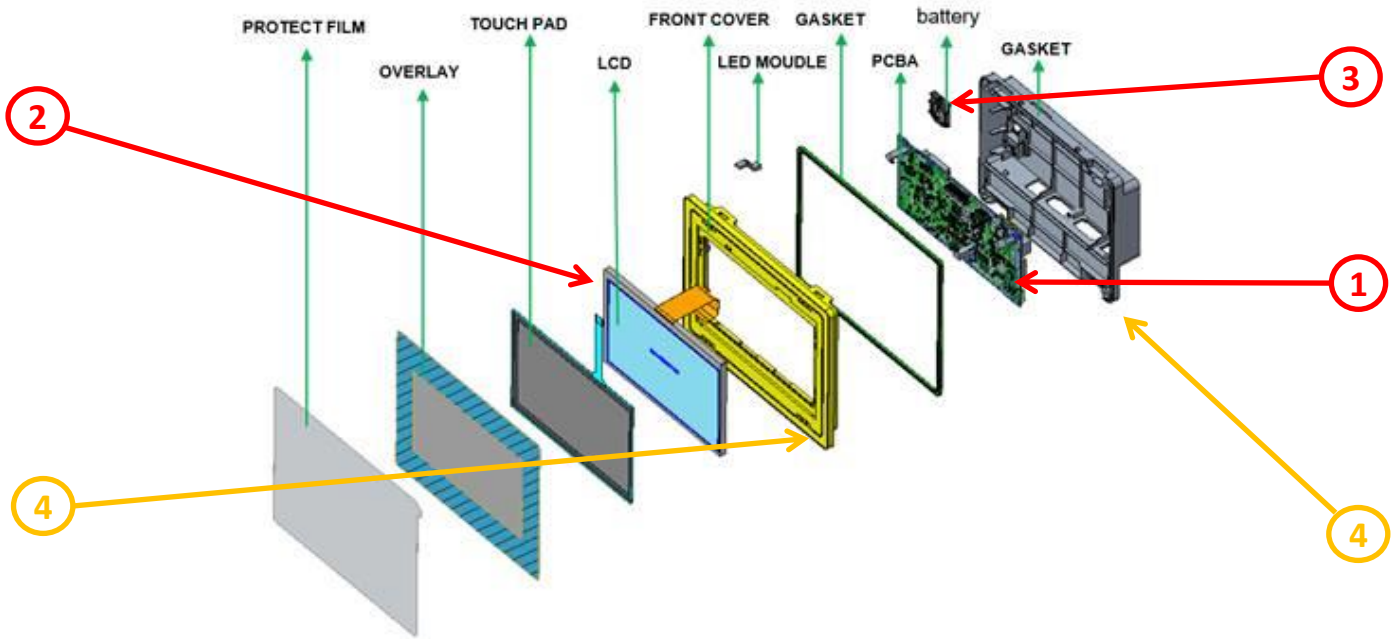


# Product End of Life Instructions

## Easy Harmony ET6 HMI



## End of Life Instructions



Recommendation	Number on drawing	Component / Material	Weight (in g)	Comment
To be depolluted	1	Electronic Board	109.4	
To be depolluted	2	LCD	155.3	
To be depolluted	3	Battery	2.8	
To be dismantled	4	Plastic Housing	229.7	

## Product description

Manufacturer identification	Schneider Electric Industries SAS
Brand name	Schneider Electric
Product function	Human machine interface for machine or system automation
Product reference	HMIET6400
Additional similar product references	HMIET6400 HMIET6401 HMIET6500 HMIET6501 HMIET6600 HMIET6700 or followed by any alphanumeric
Total representative product mass	667.5 g
Representative product dimensions	151mm x 206mm x 45mm
Date of information release	03/2021



## Additional information

### Legal information

This product family is in the scope of European Union directive 2012/19/EU on Waste Electrical and Electronic Equipment (WEEE). The product family must be disposed according to the legislation of the country. This document is intended for use by end of life recyclers or treatment facilities. It provides the basic information to assure an appropriate end of life treatment for the components and materials of the product.

### Recyclability potential

**66%**

Based on "ECO'DEEE recyclability and recoverability calculation method" (version V1, 20 Sep. 2008 presented to the French Agency for Environment and Energy Management: ADEME).

*Schneider Electric Industries SAS*

*Country Customer Care Center*  
<http://www.schneider-electric.com/contact>

*35, rue Joseph Monier*  
*CS 30323*  
*F- 92506 Rueil Malmaison Cedex*  
*RCS Nanterre 954 503 439*  
*Capital social 896 313 776 €*

[www.schneider-electric.com](http://www.schneider-electric.com)

ENVEOLI2101004\_V1

Published by Schneider Electric

© 2021 - Schneider Electric – All rights reserved

03/2021