

Industrial Computer and Monitor Specifications

Bulletins 6177R, 6181P, 6181X, 6176M, 6186M, 6200M, 6200P, 6200T

Integrated Display and Non-display Computers (6181P)



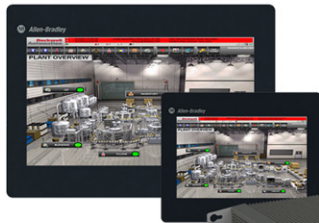
Integrated Display and Non-display Computers for Hazardous Locations (6181X)



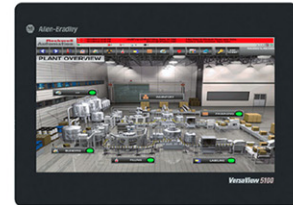
Standard Industrial Monitors (6176M)



VersaView Thin Clients and Industrial Computers (5200, 5400)



VersaView Industrial Monitors (5100)



Non-display Computers (6177R)



Performance Industrial Monitors (6186M)



Topic	Page
Summary of Changes	2
Overview	2
Rockwell Automation Industrial Computers	5
• VersaView 5200 Thin Clients and 5400 Industrial Computers	5
• 6181P Integrated Display and Non-display Computers	10
• 6181X Integrated Display and Non-display Computers for Hazardous Locations	16
• 6177R Non-display Computers	19
Rockwell Automation Industrial Monitors	23
• VersaView 5100 Industrial Monitors	24
• 6186M Performance Industrial Monitors	27
• 6176M Standard Industrial Monitors	31
HMI Software	34
Software Comparison	36
Additional Resources	41



Summary of Changes

This publication contains new and updated information as indicated in the following table.

Topic	Page
Added Rockwell Automation Industrial Computers section.	2
Replaced Class I Division with North American in the first sentence of the paragraph.	16
Replaced Type 4X with Type 4 in the enclosure ratings row in Table 15 and added the footnote.	16
Updated catalog numbers in Table 16.	16
Updated information in the Europe and Global rows in Table 16.	16
Updated all certification information in Table 17.	17
Added Rockwell Automation Industrial Monitors section.	23
Added VersaView 5100 monitors column to Table 25.	23
Added VersaView 5100 Industrial Monitors section.	24
Added publication 6200M-UM001 to Additional Resources table.	41

Overview

This document provides technical specifications, environmental specifications, certifications, and dimension drawings for the Allen-Bradley® portfolio of industrial computers and monitors from Rockwell Automation.

Use this document with the Visualization Solutions Selection Guide, publication [VIEW-SG001](#), to make initial decisions on the visualization products that are best suited for your system requirements.

Rockwell Automation Industrial Computers

Rockwell Automation offers a wide range of industrial computers for a wide range of environments.

Industrial environment computers offer solutions for the physical limitations and requirements of your environment. Non-display computers provide a variety of options in form factors, RAM, storage, performance, operating temperatures and optical drives. Integrated display computers are available in different screen sizes, storage options, and performance packages.

Our extreme environment computers combine Hazardous Location certifications with the capacity to withstand more extreme temperatures. Industries such as oil and gas, chemicals, and mining involve potentially explosive materials in locations where hardware often takes a beating. These computers are designed to endure harsh temperature extremes and are IECEx, ATEX, and UL rated for hazardous locations.

[Table 1](#) and [Table 2](#) compare the various industrial computer features to assist in your purchase.

Table 1 - VersaView® 5200 and 5400 Thin Client and Industrial Computers Comparison

Attribute	VersaView 5400 Integrated Display Industrial Computer	VersaView 5400 Non-display Industrial Computer	VersaView 5200 Integrated Display Thin Client	VersaView 5200 Non-display Thin Client
Available display sizes/resolution	<ul style="list-style-type: none"> • 12.1 in./1280 x 800 • 15.6 in./1366 x 768 • 18.5 in./1366 x 768 • 21.5 in./1920 x 1080 	Non-display (NDM)	<ul style="list-style-type: none"> • 12.1 in./1280 x 800 • 15.6 in./1366 x 768 • 18.5 in./1366 x 768 • 21.5 in./1920 x 1080 	Non-display (NDM)
Available touch screens	PCAP multi-touch	—	PCAP multi-touch	—
External video connections	1 x DisplayPort	<ul style="list-style-type: none"> • 1 x DisplayPort • 1 x VGA 	1 x DisplayPort	<ul style="list-style-type: none"> • 1 x DisplayPort • 1 x VGA
Keypad	None	None	None	None
Display bezel	Glass and aluminum	—	Glass and aluminum	—
Package options	Standard			
Available processors	Intel quad-core Atom E3845		Intel single-core Atom E3815	
Primary storage media	128 GB multi-level cell, solid-state drive (MLC SSD)		None	
RAM memory type (GB installed/max)	DDR3 (4)		DDR3 (2)	DDR3 (1)
Expansion slots	None			
Available removable media	Secure digital (SD) card slot	None	SD card slot	None
I/O connectors	9; see page Z.			
Available Windows operating systems	<ul style="list-style-type: none"> • 7 Pro SP1 32 bit/64 bit⁽¹⁾ • WES 7 32 bit/64bit⁽¹⁾ • 10 IoT Enterprise 64 bit 		ThinManager® ready	
CompactFlash quantity	None			
Power	24V DC			
Special requirements	None			
Mount options	<ul style="list-style-type: none"> • Panel (display models) • VESA 	<ul style="list-style-type: none"> • Vertical • DIN rail • VESA • Legacy 6155R • Machine 	<ul style="list-style-type: none"> • Panel (display models) • VESA 	<ul style="list-style-type: none"> • Vertical • DIN rail • VESA • Legacy 6155R • Machine

(1) 32-bit images for these Windows operating systems are available from the Rockwell Automation Product Compatibility and Download Center (PCDC) website at <https://compatibility.rockwellautomation.com/Pages/home.aspx>.

Table 2 - 6181P, 6181X, and 6177R Industrial Computers Comparison

Attribute	6181P Integrated Display Industrial Computer (NDM, 1200P, 1500P, 1700P, and 1900P)	6181X Industrial Computer for Hazardous Locations (1200XT)	6177R Non-display Computer (750R & 1450R)
Available display sizes/resolution	<ul style="list-style-type: none"> Non-display option (NDM) 12.1 in./1024 x 768 15 in.⁽²⁾/1024 x 768 or 1366 x 768 17 in./1280 x 1024 19 in.⁽²⁾/1280 x 1024 or 1366 x 768 	<ul style="list-style-type: none"> NDM 12.1 in./1024 x 768 	Requires external monitor
Available touch screens	Performance: Resistive Advanced: PCAP ⁽²⁾	Resistive, sunlight readable	None
Keypad	None	None	None
Display bezel	Aluminum or stainless steel	Aluminum	None
Package options ⁽¹⁾	Performance or Advanced	Performance	Performance, Advanced, or Server
Available processors	Performance: Intel i3-4102E Advanced: Intel i7-4700EQ	Intel Core i3-5010U	Intel Core i3-2120 or Intel Core i5-2400
Primary storage media			
<ul style="list-style-type: none"> Hard disk drive (HDD) Solid-state drive (SSD) 	32 GB SLC, 2.5-in. SATA or 256 GB MLC, 2.5-in.	128 GB MLC, 2.5-in. ⁽⁵⁾	500 GB, 3.5-in. SATA ⁽⁶⁾
RAM memory type (GB installed/max)	Performance: DDR3 (4/16) Advanced: DDR3 (8/16)	DDR3 (8/16)	DDR3 (4 or 8/32)
Expansion slots	1 half-length PCI Express x8 ⁽³⁾	1 half-length PCIe x1	<ul style="list-style-type: none"> 1 or 4 PCI 1 PCI Express x16 1 PCI Express x4 1 PCI Express x1
Available removable media	<ul style="list-style-type: none"> CompactFlash Performance: None supplied, but can be added via the 6189V-ODD kit Advanced: DVD-RW/CD-RW 	CompactFlash	DVD-RW optical disk drive (ODD)
I/O connectors	Up to 16; see pages 13 and 14 .	9; see page 18 .	9; see page 21 .
Available Windows operating systems	<ul style="list-style-type: none"> 10 IoT Enterprise (64 bit) 7 Professional (64 bit) SP1 Embedded Standard 2009 Embedded Standard 7 (64 bit) SP1 Server 2008 R2 (64 bit) SP1 	<ul style="list-style-type: none"> 10 IoT Enterprise (64 bit) 7 Professional (64 bit) SP1 	<ul style="list-style-type: none"> 10 IoT Enterprise (64 bit) 8.1 Industry Pro (64 bit) 7 Professional (64 bit) SP1 Server 2012 R2 (64 bit) Server 2008 R2 (64 bit) SP1
CompactFlash quantity/type	1/Type II	1/Type II	None
Power	AC or DC	DC	AC
Special requirements	Model dependent: 0...55 °C (32...131 °F) or 0...50 °C (32...122 °F)	<ul style="list-style-type: none"> Rated to 70 °C (158 °F) for c-UL-us hazardous, ATEX, and IECEx locations Preferred monitor: 6186M hazardous location monitor 	0...50 °C (32...122 °F)
Mount options	<ul style="list-style-type: none"> Panel mount (display models) Wall (non-display models) Table⁽⁴⁾ Bookshelf⁽³⁾ Machine⁽³⁾ 	<ul style="list-style-type: none"> Panel mount (display models) Wall (non-display models) 	750R: machine mount 1400R: 4U rack mount

(1) Package option determines processor type, amount of RAM, type of removable media, number of external connectors or I/O, and type of expansion slots.

(2) Some Advanced models are also available in widescreen formats (16:9 aspect ratio), which have projective capacitive (PCAP) touch screens.

(3) Upgradeable to 1 PCI, 2 PCI, 2 PCIe x4, or 1 PCIe x4 + 1 PCI with separate PCI riser kits.

(4) Applies only to series F NDM models. The bookshelf mount requires a bracket (cat. no. 6189V-B00KBRKT), which is sold separately.

(5) Upgradeable to 256 GB MLC SSD (cat. no. 6189X-256GBSSD).

(6) RAID 1 enabled server models ship with two 500 GB HDDs.

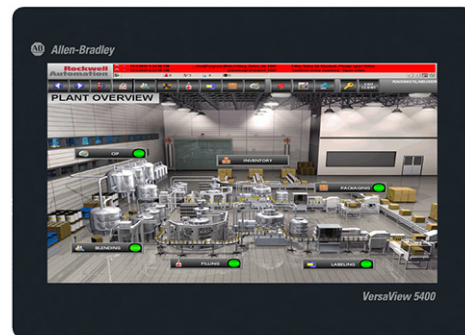
VersaView 5200 Thin Clients and 5400 Industrial Computers

The Allen-Bradley® VersaView 5000 portfolio is a line of industrial computers and thin clients that can be used for standalone machine-level and distributed HMI applications. The open architecture supports modern operating systems and various software applications, including FactoryTalk® View SE software for distributed applications. The line is fanless and lowers maintenance cost to reduce costly machine downtime.

The VersaView 5400 integrated display computers have an edge-to-edge, all glass, ten-point multi-touch screen that can also be operated with gloves. The touch screens are precalibrated so that recalibration is not necessary.

All VersaView non-display computers perform the same as the integrated display computers, in a compact design that supports multiple mounting options.

The VersaView 5200 thin client computers have no operating system and are ideal for distributed applications where multiple computers are maintained by a remote main server that is ThinManager® ready. Integrated display and non-display versions are available.



VersaView Industrial Display and Non-display Computers



VersaView Thin Clients



Table 3 - Environmental Specifications, VersaView 5200 and 5400 Computers

Attribute	5200 Display Thin Clients	5400 Display Industrial Computers	5200 Non-display Thin Clients	5400 Non-display Industrial Computers
Temperature, operating	0...50 °C (32...+122 °F)		-20...+60 °C (-4...+140 °F)	
Temperature, nonoperating	-20...+60 °C (-4...+140 °F)			
Relative humidity	10...90% noncondensing			
Shock, operating	15 G (1/2 sine, 11 ms)			
Shock, nonoperating	30 G (1/2 sine, 11 ms)			
Vibration, operating	0.012 in. p-p, 10...57 Hz, 2 G peak, 57...640 Hz			
Vibration, nonoperating	0.012 in. p-p, 10...57 Hz, 2 G peak, 57...640 Hz			
Altitude, operating	Sea level to 3,000 m (9,842 ft)		Sea level to 2,000 m (6,562 ft)	
Altitude, nonoperating	Sea level to 4,572 m (15,000 ft)		Sea level to 10,000 m (32,810 ft)	
Enclosure ratings	IEC 60529, IP66		IP20	

Table 4 - Power Specifications, VersaView 5200 and 5400 Computers

Customer Loading	Attribute	5200 Thin Client Models					5400 Industrial Computer Models				
		NDM	12.1 in.	15.6 in.	18.5 in.	21.5 in.	NDM	12.1 in.	15.6 in.	18.5 in.	21.5 in.
Typical ⁽¹⁾	Input power, (W) ⁽³⁾	4.5	16.5	15.8	16.2	26	12.8	24.5	23.8	24.2	34
	Heat dissipation, (BTU/hr.)	15.3	56.3	54	55.3	88.7	43.9	83.6	81.2	82.6	126.2
Maximum ⁽²⁾	Input power, (W) ⁽³⁾	4.9	28.7	27.3	27.8	37.4	19.7	36.7	35.3	35.8	45.4
	Heat dissipation, (BTU/hr.)	16.7	98	93.1	94.8	127.6	67.2	125.2	120.4	122.1	155

(1) Typical load is defined as the system is running Passmark Burn-in at 30% load with USB mouse and USB loop-backs, VGA and DisplayPort used, and both Ethernet ports being used.

(2) Maximum load is defined as the system is running Passmark Burn-in at 100% load with USB mouse, USB dummy loads, VGA and DisplayPort used, and both Ethernet ports being used.

(3) Input voltage is 24V DC. Wattage values are measurements, and can differ from maximum ratings required by UL.

Attribute	NDM (non-display)	12.1 in. Display	15.6 in. Display	18.5 in. Display	21.5 in. Display
Input voltage	12...24V DC	24V DC			
Input power, max	4.25...2.125 A SELV	3 A SELV/LPS		3.5 A SELV/LPS	

Table 5 - Certifications, VersaView 5200 and 5400 Computers

For the most current certification information, visit the Rockwell Automation Product Certifications website at <http://www.rockwellautomation.com/global/certification/overview.page?>

Certification	All VersaView Models																																																																					
c-UL-us	See Rockwell Automation Product Certifications website.																																																																					
CE																																																																						
EAC																																																																						
FCC	Class A emissions																																																																					
Korea	Korean Registration of Broadcasting and Communications Equipment, compliant with Article 58-2 of Radio Waves Act, Clause 3. For more details, see 6200-CT001 .																																																																					
RCM (formerly C-Tick)	See Rockwell Automation Product Certifications website.																																																																					
RoHS	<p>European RoHS 2014/30/EU. For more details, see 6200-CT002.</p> <p>China RoHS:</p> <table border="1"> <thead> <tr> <th rowspan="2">部件名称 Part Name</th> <th colspan="6">有毒有害物质或元素 Toxic or Hazardous Substances and Elements</th> </tr> <tr> <th>铅 Lead (Pb)</th> <th>汞 Mercury (Hg)</th> <th>镉 Cadmium (Cd)</th> <th>六价铬 Hexavalent Chromium (Cr(VI))</th> <th>多溴联苯 Polybrominated Biphenyls (PBB)</th> <th>多溴二苯醚 Polybrominated Diphenyl Ethers (PBDE)</th> </tr> </thead> <tbody> <tr> <td>壳体 Housing</td> <td>X</td> <td>0</td> <td>0</td> <td>0</td> <td>0</td> <td>0</td> </tr> <tr> <td>显示 Display</td> <td>X</td> <td>0</td> <td>0</td> <td>0</td> <td>0</td> <td>0</td> </tr> <tr> <td>印刷电路板 Printed Circuit Board</td> <td>X</td> <td>0</td> <td>0</td> <td>0</td> <td>0</td> <td>0</td> </tr> <tr> <td>金属螺帽 Metal Fasteners</td> <td>X</td> <td>0</td> <td>0</td> <td>0</td> <td>0</td> <td>0</td> </tr> <tr> <td>电缆组装 Cable Assembly</td> <td>X</td> <td>0</td> <td>0</td> <td>0</td> <td>0</td> <td>0</td> </tr> <tr> <td>风扇组装 Fan Assembly</td> <td>X</td> <td>0</td> <td>0</td> <td>0</td> <td>0</td> <td>0</td> </tr> <tr> <td>电力供应组装 Power Supply Assemblies</td> <td>X</td> <td>0</td> <td>0</td> <td>0</td> <td>0</td> <td>0</td> </tr> <tr> <td>电池 Battery</td> <td>0</td> <td>0</td> <td>0</td> <td>0</td> <td>0</td> <td>0</td> </tr> </tbody> </table> <p>本表格依据SJ/T11364 的规定编制。 This table is made per guidance of SJ/T 11364.</p> <p>0: 表示该有害物质在该部件所有均质材料中的含量均在GB/T26572 规定的限量要求以下。 0: Indicates that this toxic or hazardous substance contained in all of the homogeneous materials for the part is below the limit requirement in GB/T 26572.</p> <p>X: 表示该有害物质至少在该部件的某一均质材料中的含量超出GB/T26572 规定的限量要求。 求。(企业可在此处, 根据实际情况对上表中打“×”的技术原因进行进一步说明。) X: Indicates that this toxic or hazardous substance contained in at least one of the homogeneous materials for the part is below the limit requirement in GB/T 26572.</p> <p>Turkey RoHS (EEE Yönetmeliğine Uygundur. In Conformity with the EEE Regulation)</p>	部件名称 Part Name	有毒有害物质或元素 Toxic or Hazardous Substances and Elements						铅 Lead (Pb)	汞 Mercury (Hg)	镉 Cadmium (Cd)	六价铬 Hexavalent Chromium (Cr(VI))	多溴联苯 Polybrominated Biphenyls (PBB)	多溴二苯醚 Polybrominated Diphenyl Ethers (PBDE)	壳体 Housing	X	0	0	0	0	0	显示 Display	X	0	0	0	0	0	印刷电路板 Printed Circuit Board	X	0	0	0	0	0	金属螺帽 Metal Fasteners	X	0	0	0	0	0	电缆组装 Cable Assembly	X	0	0	0	0	0	风扇组装 Fan Assembly	X	0	0	0	0	0	电力供应组装 Power Supply Assemblies	X	0	0	0	0	0	电池 Battery	0	0	0	0	0	0
部件名称 Part Name	有毒有害物质或元素 Toxic or Hazardous Substances and Elements																																																																					
	铅 Lead (Pb)	汞 Mercury (Hg)	镉 Cadmium (Cd)	六价铬 Hexavalent Chromium (Cr(VI))	多溴联苯 Polybrominated Biphenyls (PBB)	多溴二苯醚 Polybrominated Diphenyl Ethers (PBDE)																																																																
壳体 Housing	X	0	0	0	0	0																																																																
显示 Display	X	0	0	0	0	0																																																																
印刷电路板 Printed Circuit Board	X	0	0	0	0	0																																																																
金属螺帽 Metal Fasteners	X	0	0	0	0	0																																																																
电缆组装 Cable Assembly	X	0	0	0	0	0																																																																
风扇组装 Fan Assembly	X	0	0	0	0	0																																																																
电力供应组装 Power Supply Assemblies	X	0	0	0	0	0																																																																
电池 Battery	0	0	0	0	0	0																																																																

Table 6 - Technical Specifications, VersaView 5200 and 5400 Computers

Attribute	5200 Thin Client Models					5400 Industrial Computer Models				
	NDM	12.1 in. Display	15.6 in. Display	18.5 in. Display	21.5 in. Display	NDM	12.1 in. Display	15.6 in. Display	18.5 in. Display	21.5 in. Display
Display type	—	Color active-matrix TFT flat panel				—	Color active-matrix TFT flat panel			
Display size, diagonal		12.1 in. (307 mm)	15.6 in. (396 mm)	18.5 in. (470 mm)	21.5 in. (546 mm)		12.1 in. (307 mm)	15.6 in. (396 mm)	18.5 in. (470 mm)	21.5 in. (546 mm)
Display aspect ratio		16:9					16:9			
Display resolution, max		1280 x 800	1366 x 768	1366 x 768	1920 x 1080		1280 x 800	1366 x 768	1366 x 768	1920 x 1080
Response time, ms		10	8	5	25		10	8	5	25
Touch screen		PCAP multi-touch					PCAP multi-touch			
Bezel		Edge-to-edge glass with aluminum ring					Edge-to-edge glass with aluminum ring			
Available processors	Intel single-core Atom E3815, 1.46 GHz					Intel quad-core Atom E3845, 1.91 GHz				
RAM • Type • Supplied/max (GB)	DDR3 ⁽¹⁾ 1/1	DDR3, SO-DIMM 2/2				DDR3, SO-DIMM 4/4				
Available storage drives	None					1 x 128 GB, 2.5 in. SATA MLC SSD				
Expansion slots	None									
Available optical storage device	None									
CompactFlash type	None									
SD slot	None	1 full-size SDHC				1 full-size SDHC				
I/O connections	<ul style="list-style-type: none"> • 1 x USB 3.0 Type A port • 2 x USB 2.0 Type A ports • 1 x RS-232, DB9 port 		<ul style="list-style-type: none"> • 1 x RS-232, DB9 port • 2 x Ethernet RJ45 LAN ports, 1 Gb each 							
External video connections/ max resolution	<ul style="list-style-type: none"> • 1 x DisplayPort/2560 x 1600 • 1 x VGA/1920 x 1440 	1 x DisplayPort/2560 x 1600				<ul style="list-style-type: none"> • 1 x DisplayPort/2560 x 1600 • 1 x VGA/1920 x 1440 	1 x DisplayPort/2560 x 1600			
Available operating systems	ThinManager ready					<ul style="list-style-type: none"> • Windows 10 IoT Enterprise (64 bit)⁽²⁾ • Windows 7 Pro (64 bit) SP1⁽²⁾ • WES 7 (64 bit) 				
Weight, approx	1.78 kg (3.93 lbs)	5.0 kg (11.02 lbs)	5.9 kg (13 lbs)	8.3 kg (18.29 lbs)	9.5 kg (20.94 lbs)	1.78 kg (3.93 lbs)	5.0 kg (11.02 lbs)	5.9 kg (13 lbs)	8.3 kg (18.29 lbs)	9.5 kg (20.94 lbs)
Dimensions, approx	See Table 7 on page 8	See Table 8 on page 9				See Table 7 on page 8	See Table 8 on page 9			
Cutout dimensions	—	250 x 312 mm (9.84 x 12.28 in.)	282 x 398 mm (11.1 x 15.67 in.)	321 x 464 mm (12.64 x 18.27 in.)	357 x 529 mm (14.06 x 20.83 in.)	—	250 x 312 mm (9.84 x 12.28 in.)	282 x 398 mm (11.1 x 15.67 in.)	321 x 464 mm (12.64 x 18.27 in.)	357 x 529 mm (14.06 x 20.83 in.)
Mounting options	<ul style="list-style-type: none"> • Bookshelf⁽³⁾ • DIN rail⁽⁴⁾ • VESA⁽⁴⁾ • Legacy⁽⁴⁾ • Machine⁽⁴⁾ 	<ul style="list-style-type: none"> • Panel (IP65) • VESA (IP20) 				<ul style="list-style-type: none"> • Bookshelf⁽³⁾ • DIN rail⁽⁴⁾ • VESA⁽⁴⁾ • Legacy⁽⁴⁾ • Machine⁽⁴⁾ 	<ul style="list-style-type: none"> • Panel (IP65) • VESA (IP20) 			

(1) Soldered.

(2) 32 bit images for these Windows operating systems are available from the Rockwell Automation Product Compatibility and Download Center (PCDC) website at <https://compatibility.rockwellautomation.com/Pages/home.aspx>.

(3) Computer is shipped with this mounting bracket installed.

(4) An optional mounting bracket must be ordered for this mounting method.

Figure 1 - VersaView 5200 and 5400 Non-display Computer Dimensions

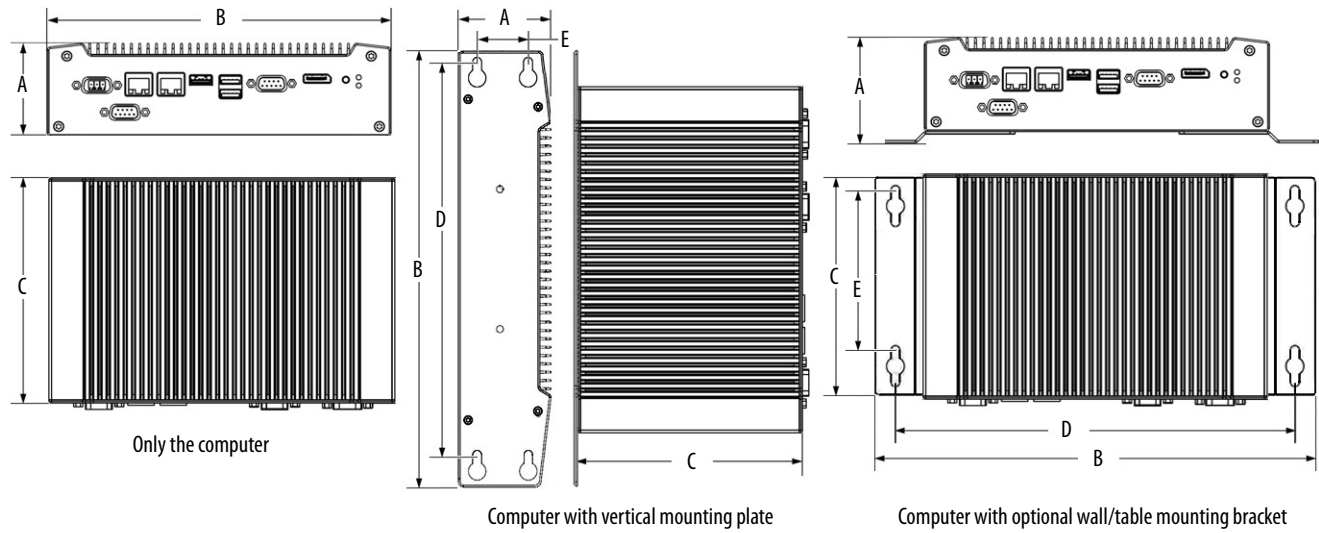


Table 7 - Dimensions, VersaView 5200 and 5400 Non-display Computers

Computer Models	Configuration	Dimensions, mm (in.)				
		A	B	C	D	E
5200 Thin Client and 5400 Industrial Non-display	Only the computer	58 (2.28)	210 (8.27)	140 (5.51)	—	—
	Computer with vertical mounting plate	58 (2.28)	266 (10.47)	138 (5.43)	240 (9.45)	32 (1.26)
	Computer with optional wall/table mounting bracket	65 (2.56)	270 (10.63)	135.5 (5.33)	245 (9.65)	100 (3.94)
5200 Thin Client Compact Non-display (not shown)	Only the computer	58 (2.28)	150 (5.9)	99.5 (3.92)	—	—
	Computer with vertical mounting plate	58 (2.28)	192 (7.56)	99.5 (3.92)	180 (7.1)	32 (1.26)

Figure 2 - VersaView 5200 and 5400 Integrated Display Computer Dimensions

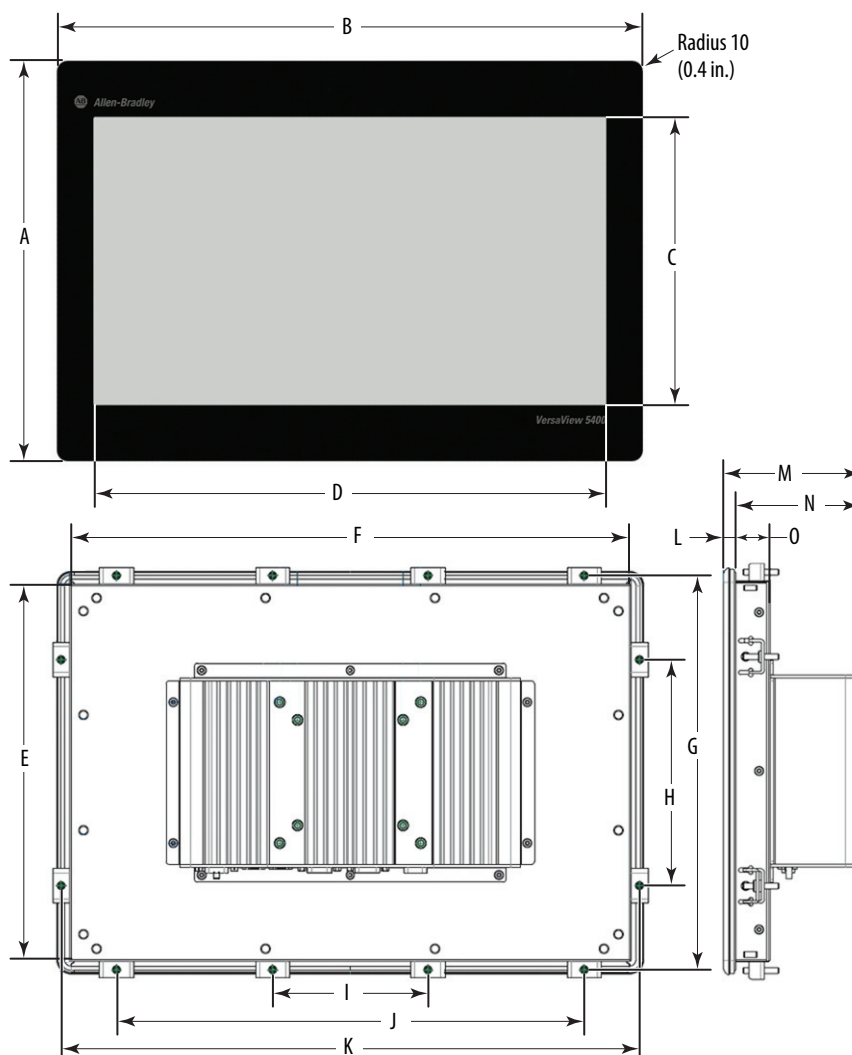


Table 8 - Dimensions, VersaView 5200 and 5400 Integrated Display Computers

Display Size (in.)	Dimensions, mm (in.)														
	A	B	C	D	E	F	G	H	I	J	K	L ⁽¹⁾	M ⁽²⁾	N	O
12.1	266 (10.47)	328 (12.91)	163.2 (6.43)	261 (10.28)	248 (9.76)	310 (12.2)	260 (10.24)	125 (4.92)	200 (7.87)	—	322.5 (12.7)	7.6 (0.3)	97.1 (3.82)	89.5 (3.52)	24.5 (0.97)
15.6	298 (11.73)	414 (16.3)	193.5 (7.61)	344.2 (13.55)	280 (11)	396 (15.6)	292 (11.5)	160 (6.3)	110 (4.33)	330 (13)	408 (16)				
18.5	337 (13.27)	480 (18.9)	230 (9.07)	410 (16.13)	319 (12.56)	462 (18.19)	331 (13.03)	250 (9.84)	130 (5.12)	390 (15.35)	474 (18.66)				
21.5	373 (14.68)	545 (21.46)	268 (10.55)	476.6 (18.76)	355 (14)	527 (20.75)	367 (14.45)	250 (9.84)	150 (5.91)	450 (17.71)	539 (21.22)				

(1) Metric dimension is ±0.5, and the English dimension is ±0.02.

(2) Metric dimension is ±1.0, and the English dimension is ±0.04.

6181P Integrated Display and Non-display Computers

6181P integrated display and non-display industrial computers serve as the foundation for visualization control with a variety of display sizes, models, and mounting methods. Display sizes are offered in both standard (4:3 and 5:4) format and widescreen (16:9) format. All 6181P computer models feature solid-state drives for performance in storage reliability. Various mounting methods are possible with these computers in landscape and portrait orientations, as well as a space-saving 'bookshelf' mounting option on non-display versions.

The complete Rockwell Automation advantage includes seamless integration with the full suite of Rockwell Software® solutions, including Integrated Architecture® and FactoryTalk® View software.



6181P Display Model



6181P Non-display Model

Table 9 - Environmental Specifications, 6181P Integrated Display and Non-display Computers

Attribute	Advanced	Performance
Temperature, operating		
• NDM (non-display)		0...55 °C (32...131 °F)
• 1200		0...55 °C (32...131 °F)
• 1500	0...55 °C (32...131 °F) 0...50 °C (32...122 °F) ⁽³⁾	0...55 °C (32...131 °F)
• 1700	0...55 °C (32...131 °F)	0...55 °C (32...131 °F)
• 1900	0...50 °C (32...122 °F)	0...50 °C (32...122 °F)
Temperature, nonoperating	-20...+60 °C (-4...+140 °F)	
Relative humidity	10...90% noncondensing at 50%	
Shock, operating ⁽¹⁾⁽²⁾	15 G (1/2 sine, 11 ms)	
Shock, nonoperating ⁽¹⁾⁽²⁾	30 G (1/2 sine, 11 ms)	
Vibration, operating ⁽¹⁾⁽²⁾	0.012 in. p-p, 10...57 Hz, 2 G peak, 57...640 Hz	
Vibration, nonoperating ⁽¹⁾⁽²⁾	0.018 in. p-p, 10...57 Hz, 3G peak (57...640 Hz)	
Altitude, operating	Sea level to 2,000 m (6,562 ft)	
Altitude, nonoperating	Sea level to 12,192 m (40,000 ft)	
Enclosure ratings		
• With aluminum bezels	UL50 Type 1, 12, and 4 (indoor use only); IEC 60529, IP66	• UL50 Type 1, 12, and 4 (indoor use only); IEC 60529, IP66
• With stainless steel bezels		• UL50 Type 1, 12, 4, and 4X (indoor use only); IEC 60529, IP66

(1) The optical disk drive is considered a maintenance device. Do not operate the drive in environments with the shock and vibration levels listed. Do not operate the drive in temperatures above 45 °C (113 °F).

(2) Does not apply to bookshelf-mounted non-display computers.

(3) This temperature range applies only to widescreen models.

Table 10 - Power Specifications, 6181P Integrated Display and Non-display Computers

Customer Loading	Attribute	All 6181P Performance Models					All 6181P Advanced Models					
		NDM	12 in.	15 in.	17 in.	19 in.	NDM	15 in. widescreen	15 in.	17 in.	19 in. widescreen	19 in.
Typical	Input power, (W)	29	35	36	48	56	40	48	47	58	52	66
	Heat dissipation, (BTU/hr.)	98	119	123	164	191	136	164	160	198	177	225
Maximum	Input power, (W)	113	120	122	136	144	140	148	147	158	151	167
	Heat dissipation, (BTU/hr.)	386	409	416	464	491	478	505	502	539	515	570

Attribute	All 6181P Models
AC models	
Input voltage	100...240V, autoranging
Input power	100...240V; 1.8...0.75 A 50/60 Hz; 180VA
DC models	
Input voltage	18...32V
Input power	18...32V; 10.0...5.63 A; 180 W SELV
Ratings, max	
USB 3.0 port	900 mA ⁽¹⁾
PCIe slot	12 W internal, 28 W external (40 W total)

(1) Per port. Maximum of two ports loaded at 900 mA and all other ports at 500 mA.

Table 11 - Certifications, 6181P Integrated Display and Non-display Computers

For the most current information, visit the Rockwell Automation Product Certifications website at <http://www.rockwellautomation.com/global/certification/overview.page?>

Certification ⁽¹⁾	Advanced and Performance Models																																																																					
c-UL-us	UL/c-UL Listed per UL 60950-1 and CSA C22.2 60950-1-07. For more details, see 6181P-CT007 .																																																																					
CE	EMC 2004/108/EC and 2014/30/EU. For more details, see 6181P-CT006 . EN 60950-1 EU REACH: Regulation No. 1907/2006 of the European Parliament ⁽²⁾ Waste Electrical and Electronic Equipment (WEEE) 2002/96/EC Metric Directive 80/181/EC EU Battery Directive 2006/66/EC Low Voltage Directive: LVD 2006/95/EC																																																																					
EAC (TR CU)	Low Voltage TR CU 004/2011 EMC TR CU 020/2011																																																																					
FCC	Class A emissions																																																																					
Korea	Korean Registration of Broadcasting and Communications Equipment, compliant with Article 58-2 of Radio Waves Act, Clause 2. Emissions standards: Class A 이 기기는 업무용 (A 급) 전자파적합기기로서 판매자 또는 사용자는 이 점을 주의 하시기 바라며, 가정 외의 지역에서 사용하는 것을 목적으로 합니다.																																																																					
RCM (formerly C-Tick)	Australian Radiocommunications Act 1992. For more details, see 6181P-CT005 . Emission standards: AS/NZS 3548 (CISPR 22 EN55022)																																																																					
RoHS	<p>European RoHS 2011/65/EU China RoHS:</p> <table border="1"> <thead> <tr> <th rowspan="2">部件名称 Part Name</th> <th colspan="6">有毒有害物质或元素 Toxic or Hazardous Substances and Elements</th> </tr> <tr> <th>铅 Lead (Pb)</th> <th>汞 Mercury (Hg)</th> <th>镉 Cadmium (Cd)</th> <th>六价铬 Hexavalent Chromium (Cr(VI))</th> <th>多溴联苯 Polybrominated Biphenyls (PBB)</th> <th>多溴二苯醚 Polybrominated Diphenyl Ethers (PBDE)</th> </tr> </thead> <tbody> <tr> <td>壳体 Housing</td> <td>X</td> <td>0</td> <td>0</td> <td>0</td> <td>0</td> <td>0</td> </tr> <tr> <td>显示 Display</td> <td>X</td> <td>0</td> <td>0</td> <td>0</td> <td>0</td> <td>0</td> </tr> <tr> <td>印刷电路板 Printed Circuit Board</td> <td>X</td> <td>0</td> <td>0</td> <td>0</td> <td>0</td> <td>0</td> </tr> <tr> <td>金属螺帽 Metal Fasteners</td> <td>X</td> <td>0</td> <td>0</td> <td>0</td> <td>0</td> <td>0</td> </tr> <tr> <td>电缆组装 Cable Assembly</td> <td>X</td> <td>0</td> <td>0</td> <td>0</td> <td>0</td> <td>0</td> </tr> <tr> <td>风扇组装 Fan Assembly</td> <td>X</td> <td>0</td> <td>0</td> <td>0</td> <td>0</td> <td>0</td> </tr> <tr> <td>电力供应组装 Power Supply Assemblies</td> <td>X</td> <td>0</td> <td>0</td> <td>0</td> <td>0</td> <td>0</td> </tr> <tr> <td>电池 Battery</td> <td>0</td> <td>0</td> <td>0</td> <td>0</td> <td>0</td> <td>0</td> </tr> </tbody> </table> <p>本表格依据SJ/T11364 的规定编制。 This table is made per guidance of SJ/T 11364.</p> <p>0: 表示该有害物质在该部件所有均质材料中的含量均在GB/T26572 规定的限量要求以下。 0: Indicates that this toxic or hazardous substance contained in all of the homogeneous materials for the part is below the limit requirement in GB/T 26572.</p> <p>X: 表示该有害物质至少在该部件的某一均质材料中的含量超出GB/T26572 规定的限量要求。 求。(企业可在此处, 根据实际情况对上表中打“X”的技术原因进行进一步说明。) X: Indicates that this toxic or hazardous substance contained in at least one of the homogeneous materials for the part is below the limit requirement in GB/T 26572.</p> <p>Turkey RoHS (EEE Yönetmeliğine Uygundur. In Conformity with the EEE Regulation)</p>	部件名称 Part Name	有毒有害物质或元素 Toxic or Hazardous Substances and Elements						铅 Lead (Pb)	汞 Mercury (Hg)	镉 Cadmium (Cd)	六价铬 Hexavalent Chromium (Cr(VI))	多溴联苯 Polybrominated Biphenyls (PBB)	多溴二苯醚 Polybrominated Diphenyl Ethers (PBDE)	壳体 Housing	X	0	0	0	0	0	显示 Display	X	0	0	0	0	0	印刷电路板 Printed Circuit Board	X	0	0	0	0	0	金属螺帽 Metal Fasteners	X	0	0	0	0	0	电缆组装 Cable Assembly	X	0	0	0	0	0	风扇组装 Fan Assembly	X	0	0	0	0	0	电力供应组装 Power Supply Assemblies	X	0	0	0	0	0	电池 Battery	0	0	0	0	0	0
部件名称 Part Name	有毒有害物质或元素 Toxic or Hazardous Substances and Elements																																																																					
	铅 Lead (Pb)	汞 Mercury (Hg)	镉 Cadmium (Cd)	六价铬 Hexavalent Chromium (Cr(VI))	多溴联苯 Polybrominated Biphenyls (PBB)	多溴二苯醚 Polybrominated Diphenyl Ethers (PBDE)																																																																
壳体 Housing	X	0	0	0	0	0																																																																
显示 Display	X	0	0	0	0	0																																																																
印刷电路板 Printed Circuit Board	X	0	0	0	0	0																																																																
金属螺帽 Metal Fasteners	X	0	0	0	0	0																																																																
电缆组装 Cable Assembly	X	0	0	0	0	0																																																																
风扇组装 Fan Assembly	X	0	0	0	0	0																																																																
电力供应组装 Power Supply Assemblies	X	0	0	0	0	0																																																																
电池 Battery	0	0	0	0	0	0																																																																

(1) When marked; see <http://www.rockwellautomation.com/certification> for declarations of conformity, certificates, and other certification details.
(2) For current product-environmental information, see <http://www.rockwellautomation.com/rockwellautomation/about-us/sustainability-ethics/product-environmental-compliance.page>.

Table 12 - Technical Specifications - 6181P Integrated Display and Non-display Computer NDM, 1200P, and 1500P Models

Attribute	NDM (non-display)	1200P		1500P	
		Performance		Performance	Advanced
Display type	—	Color active-matrix TFT flat panel			
Display size, diagonal	—	12 in. (307 mm)	15 in. (381 mm)	<ul style="list-style-type: none"> 15 in. (381 mm) 15.6 in. (396 mm) 	
Display aspect ratio	—	4:3		<ul style="list-style-type: none"> 4:3 16:9 	
Display resolution (max)	—	XGA 1024 x 768		<ul style="list-style-type: none"> XGA 1024 x 768 WXGA 1366 x 768 	
Touch screen	—	Resistive antiglare		PCAP	
Response time	—	15 ms			
Bezel	—	Aluminum	<ul style="list-style-type: none"> Aluminum Stainless steel 		Aluminum
Available processors	<ul style="list-style-type: none"> Intel i3-4102E; 2 cores; 1.6 GHz Intel i7-4700EQ; 4 cores; 2.4 GHz 	Intel i3-4102E; 2 cores; 1.6 GHz		Intel i7-4700EQ; 4 cores; 2.4 GHz	
RAM	<ul style="list-style-type: none"> Type Supplied Maximum 	<ul style="list-style-type: none"> DDR3-1600 204-pin SO-DIMM 4 GB (2 x 2 GB) or 8 GB (2 x 4 GB) 16 GB (2 x 8 GB)⁽¹⁾ 		<ul style="list-style-type: none"> DDR3-1600 204-pin SO-DIMM 4 GB (2 x 2 GB) 16 GB (2 x 8 GB)⁽¹⁾ 	
Available storage drives	<ul style="list-style-type: none"> 1 x 256 GB, 2.5-in. SATA MLC SSD 2 x 256 GB, 2.5-in. SATA MLC SSD (RAID 1) 1 x 32 GB, 2.5-in. SATA SLC SSD 1 x 64 GB, 2.5-in. SATA SLC SSD⁽²⁾ 	<ul style="list-style-type: none"> 1 x 256 GB, 2.5-in. SATA MLC SSD 1 x 32 GB, 2.5-in. SATA SLC SSD 1 x 64 GB, 2.5-in. SATA SLC SSD⁽²⁾ 			
Expansion slots	1 PCI Express x8 ⁽³⁾				
Available optical storage drive (ODD)	<ul style="list-style-type: none"> None supplied⁽⁴⁾ 1 DVD-RW/CD-RW 	None supplied ⁽⁴⁾		1 DVD-RW/CD-RW	
CompactFlash Type II	Type II slot with cover				
I/O connections	<ul style="list-style-type: none"> 1 PS/2 keyboard port 1 PS/2 mouse port 2 serial RS-232 COM ports 	<ul style="list-style-type: none"> 4 or 5 USB 3.0 external ports⁽⁵⁾ 2 Ethernet LAN ports, 1 Gb each DVI-I port 		<ul style="list-style-type: none"> DisplayPort 3 jacks: audio line-in, audio line-out, and microphone-in 	
Available operating systems ⁽⁶⁾⁽⁷⁾	<ul style="list-style-type: none"> Windows 10 IoT Enterprise (64 bit) Windows 7 Pro (64 bit) SP1 WES 7 (64 bit) SP1 Windows Server 2008 R2 Standard (64 bit) SP1 	<ul style="list-style-type: none"> Windows 10 IoT Enterprise (64 bit) Windows 7 Professional (64 bit) SP1 WES 7 (64 bit) SP1 		<ul style="list-style-type: none"> Windows 10 IoT Enterprise (64 bit) Windows 7 Professional (64 bit) SP1 	
Weight, approx	7.5 kg (16.5 lb)	8.5 kg (18.7 lb)	9.9 kg (21.8 lb)	9.9 kg (21.8 lb)	
<ul style="list-style-type: none"> Aluminum bezel Stainless steel bezel Widescreen 	—	—	11.1 kg (24.5 lb)	—	
Dimensions	See Table 14 on page 15				
Cutout dimensions					
Mount options	<ul style="list-style-type: none"> Wall Bookshelf⁽⁸⁾ Table top 	Panel			

(1) Maximum memory shipped with computers is 8 GB. 16 GB is available through a kit (catalog number 6189V-16GSODDR3), which is sold separately.
(2) Available through a kit (catalog number 6189V-6181SSD64GB), which is sold separately.
(3) Available one-slot riser kit (catalog number 6189V-PCIR) supports 1 PCI, and two-slot kit (catalog number 6189V-EXTPCI2) supports 2 PCI, 2 PCIe x4, or 1 PCIe x4 plus 1 PCI, all which are half-length.
(4) Performance models are not sold with an optical disk drive (ODD) but one can be installed. You must order a kit (catalog number 6189V-ODD), which is sold separately.
(5) All display models have four external USB 3.0 ports and one internal USB 3.0 port. Display models with an aluminum bezel have an extra external USB 3.0 port on the bezel (behind the front access cover).
(6) 6181P computers do not ship with the Windows XP Professional operating system but Windows XP system images are available. For more information, contact Rockwell Automation Technical Support (see back page).
(7) 32 bit images for the Windows 7 operating system are available from the Rockwell Automation Product Compatibility and Download Center: <https://compatibility.rockwellautomation.com/Pages/home.aspx>.
(8) A bookshelf mounting kit (catalog number 6189V-BOOKBRKT) is required and must be ordered separately.

Table 13 - Technical Specifications - 6181P Integrated Display Computer 1700P and 1900P Models

Attribute	1700P		1900P	
	Performance	Advanced	Performance	Advanced
Display type	Color active-matrix TFT flat panel			
Display size, diagonal	17 in. (432 mm)		19 in. (483 mm)	<ul style="list-style-type: none"> 19 in. (483 mm) 18.5 in. (470 mm)
Display aspect ratio	5:4			<ul style="list-style-type: none"> 5:4 16:9
Display resolution (max)	SXGA 1280 x 1024			<ul style="list-style-type: none"> SXGA 1280 x 1024 WXGA 1366 x 768
Touch screen	Resistive antiglare	PCAP	Resistive antiglare	PCAP
Response time	15 ms			
Bezel	<ul style="list-style-type: none"> Aluminum Stainless steel 	Aluminum	<ul style="list-style-type: none"> Aluminum Stainless steel 	Aluminum
Available processors	Intel i3-4102E; 2 cores; 1.6 GHz	Intel i7-4700EQ; 4 cores; 2.4 GHz	Intel i3-4102E; 2 cores; 1.6 GHz	Intel i7-4700EQ; 4 cores; 2.4 GHz
RAM <ul style="list-style-type: none"> Type Supplied Maximum 	<ul style="list-style-type: none"> DDR3-1600 204-pin SO-DIMM 4 GB (2 x 2 GB) 16 GB (2 x 8 GB)⁽¹⁾ 	<ul style="list-style-type: none"> DDR3-1600 204-pin SO-DIMM 8 GB (2 x 4 GB) 16 GB (2 x 8 GB)⁽¹⁾ 	<ul style="list-style-type: none"> DDR3-1600 204-pin SO-DIMM 4 GB (2 x 2 GB) 16 GB (2 x 8 GB)⁽¹⁾ 	<ul style="list-style-type: none"> DDR3-1600 204-pin SO-DIMM 8 GB (2 x 4 GB) 16 GB (2 x 8 GB)⁽¹⁾
Available storage drives	<ul style="list-style-type: none"> 1 x 256 GB, 2.5-in. SATA MLC SSD 1 x 32 GB, 2.5-in. SATA SLC SSD 1 x 64 GB, 2.5-in. SATA SLC SSD⁽²⁾ 			
Expansion slots	1 PCI Express x8 ⁽³⁾			
Available optical storage drive (ODD)	None supplied ⁽⁴⁾	1 DVD-RW/CD-RW	None supplied ⁽⁴⁾	1 DVD-RW/CD-RW
CompactFlash Type II	Type II slot with cover			
I/O connections	<ul style="list-style-type: none"> 1 PS/2 keyboard port 1 PS/2 mouse port 2 serial RS-232 COM ports 	<ul style="list-style-type: none"> 4 or 5 USB 3.0 external ports⁽⁵⁾ 2 Ethernet LAN ports, 1 Gb each DVI-I port 	<ul style="list-style-type: none"> DisplayPort 3 jacks: audio line-in, audio line-out, and microphone-in 	
Available operating systems ⁽⁶⁾⁽⁷⁾	<ul style="list-style-type: none"> Windows 10 IoT Enterprise (64 bit) Windows 7 Professional (64 bit) SP1 WES 7 (64 bit) SP1 	<ul style="list-style-type: none"> Windows 10 IoT Enterprise (64 bit) Windows 7 Professional (64 bit) SP1 	<ul style="list-style-type: none"> Windows 10 IoT Enterprise (64 bit) Windows 7 Professional (64 bit) SP1 WES 7 (64 bit) SP1 	<ul style="list-style-type: none"> Windows 10 IoT Enterprise (64 bit) Windows 7 Professional (64 bit) SP1
Weight, approx <ul style="list-style-type: none"> Aluminum bezel Stainless steel bezel Widescreen 	11.1 kg (24.5 lb) 12.8 kg (28.2 lb) —	11.1 kg (24.5 lb) — —	13.2 kg (29.1 lb) 14.5 kg (32 lb) —	13.2 kg (29.1 lb) — 13 kg (28.7 lb)
Dimensions, approx	See Table 14 on page 15			
Cutout dimensions				
Mount options	Panel			

(1) Maximum memory shipped with computers is 8 GB. 16 GB is available through a kit (catalog number 6189V-16GSODDR3), which is sold separately.

(2) Available through a kit (catalog number 6189V-6181SSD64GB), which is sold separately.

(3) Available one-slot riser kit (catalog number 6189V-PCIR) supports 1 PCI, and two-slot kit (catalog number 6189V-EXTPCI2) supports 2 PCI, 2 PCIe x4, or 1 PCIe x4 plus 1 PCI, all which are half-length.

(4) Performance models are not sold with an optical disk drive (ODD) but one can be installed. You must order a kit (catalog number 6189V-ODD), which is sold separately.

(5) All display models have four external USB 3.0 ports and one internal USB 3.0 port. Display models with an aluminum bezel have an extra external USB 3.0 port on the bezel (behind the front access cover).

(6) 6181P computers do not ship with the Windows XP Professional operating system but Windows XP system images are available. For more information, contact Rockwell Automation Technical Support (see back page).

(7) 32 bit images for the Windows 7 operating system are available from the Rockwell Automation Product Compatibility and Download Center: <https://compatibility.rockwellautomation.com/Pages/home.aspx>.

Figure 3 - 6181P Integrated Display and Non-display Computer Dimensions

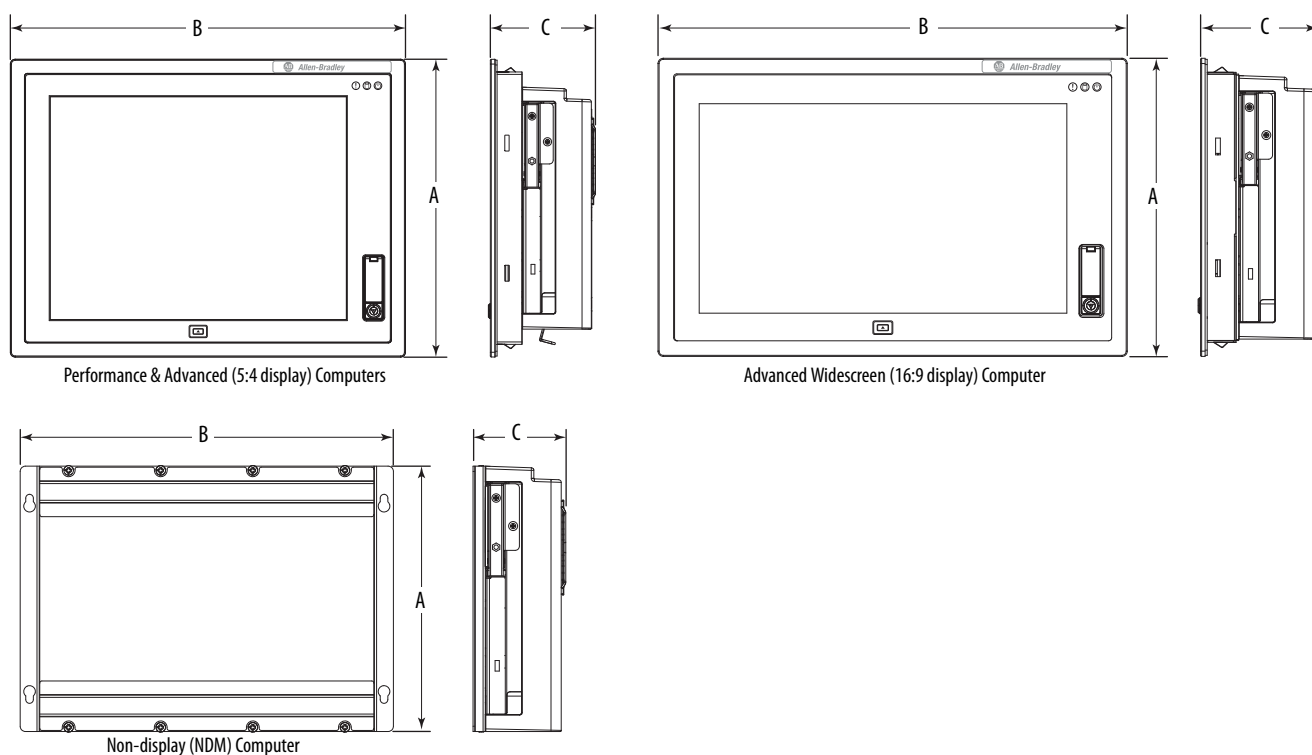


Table 14 - Computer and Cutout Dimensions

All dimensions are in mm (in.)					
6181P Integrated Display and Non-display Computers	Overall Height A	Overall Width B	Overall Depth C	Cutout Height	Cutout Width
Non-display (NDM)					
Performance	251 (9.88)	353 (13.9)	83.4 (3.28)	—	—
Advanced			87.7 (3.45)		
1200P					
Performance (aluminum bezel)	279 (10.98)	349 (13.74)	104.8 (4.13)	254 (10)	324 (12.76)
1500P					
Performance (aluminum bezel)	309 (12.16)	410 (16.14)	104.8 (4.13)	285.6 (11.24)	386.6 (15.22)
Performance (stainless steel bezel)			104.1 (4.1)		
Advanced (standard 4:3 display)			104.8 (4.13)		
Advanced (widescreen 16:9 display)	284 (11.18)	447 (17.6)	108.1 (4.26)	260.2 (10.24)	420 (16.54)
1700P					
Performance (aluminum bezel)	356 (14.01)	452 (17.80)	104.8 (4.13)	329.5 (12.97)	424 (16.69)
Performance (stainless steel bezel)			104.1 (4.10)		
Advanced (standard 5:4 display)			104.8 (4.13)		
1900P					
Performance (aluminum bezel)	399.3 (15.72)	482.6 (19)	108.1 (3.94)	363.5 (14.31)	449.6 (17.7)
Performance (stainless steel bezel)					
Advanced (standard 5:4 display)					
Advanced (widescreen 16:9 display)	339.3 (13.36)	515.6 (20.3)		321 (12.64)	493 (19.41)

NOTE: All Advanced integrated display computer models are available only with aluminum bezels.

6181X Integrated Display and Non-display Computers for Hazardous Locations

With North American, ATEX, and IECEx hazardous location certifications, this extreme environment computer can be safely used globally in areas where explosive materials can be present. The display version of this computer mounts in a panel while the non-display version mounts on a wall. Both computers can withstand temperatures of -20...+70 °C (-4...+158 °F) inside a cabinet or enclosure. The front of the integrated display computer can withstand ambient temperatures in the range -20...+55 °C (-4...+131 °F).

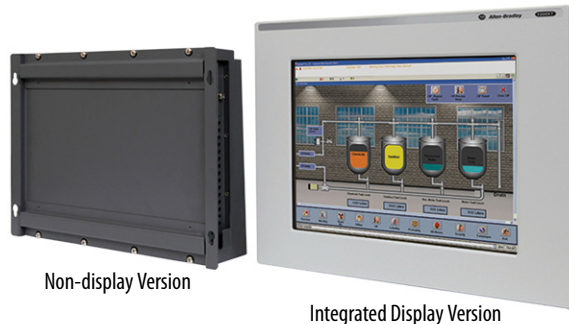


Table 15 - Environmental Specifications, 6181X Hazardous Location Computers

Attribute	1200XT Non-display, 1200XT Display (12 in.)
Temperature, operating 6181X-NPXPDC, non-display 6181X-12TPXPDC, display	-20...+70 °C (-4...+158 °F) -20...+55 °C (-4...+131 °F), display side -20...+70 °C (-4...+158 °F), back side
Temperature, nonoperating	-30...+80 °C (-22...+176 °F)
Relative humidity	10...90% noncondensing
Altitude, operating	2,000 m (6,561 ft)
Altitude, nonoperating	12,000 m (40,000 ft)
Vibration, operating	0.012 in. p-p 10...57 Hz 2 G peak at 57...640 Hz
Shock, operating	15 G (1/2 sine, 11 ms)
Shock, nonoperating	30 G (1/2 sine, 11 ms)
Enclosure ratings (display models)	UL Type 4, 4X and 12 IP66 as classified by UL ⁽¹⁾

(1) When properly mounted on a flat surface of an equivalent type enclosure.

Table 16 - Hazardous Location Ratings by Region

Computer Model	Cat. Nos.	Region	Rating	Temperature Range	
Non-display	6181X-00N2SW71DC, 6181X-00N2SWX1DC	United States	Class I Division 2, Groups A, B, C, D T4	-20 °C ≤ T _a ≤ +70 °C ⁽¹⁾ (-4 °F ≤ T _a ≤ +158 °F)	
			Class I Zone 2, IIC, T4		
		Canada	Class I Division 2, Groups A, B, C, D T4		
			Class I Zone 2, IIC, T4		
Europe (ATEX)	II 3 G, Ex nA IIC T4 Gc, DEMKO 17 ATEX 1851 X				
Global/IECEx	Ex nA IIC T4 Gc, IECEx UL 17.0024 X				
Display (12 in.)	6181X-12A2SW71DC, 6181X-12A2SWX1DC	United States	Class I Division 2, Groups A, B, C, D T4	-20 °C ≤ T _a ≤ +55 °C (-4 °F ≤ T _a ≤ +131 °F) (display side)	
			Class I Zone 2, IIC, T4		
		Canada	Class I Division 2, Groups A, B, C, D T4		-20 °C < T _a < +70 °C (-4 °F < T _a < +158 °F) (backside) ⁽¹⁾
			Class I Zone 2, IIC, T4		
Europe (ATEX)	II 3 GD, Ex nA nC IIC T4 Gc IP66, Ex tc IIIC T135 °C Dc IP66, DEMKO 17 ATEX 1851 X				
Global/IECEx	Ex nA nC IIC T4 Gc IP66, Ex tc IIIC T135 °C Dc IP66, IECEx UL 17.0024 X				

(1) The entire non-display computer and the backside of the integrated display computer are required to be mounted in a restricted access location.

Table 17 - Certifications, 6181X Hazardous Location Computers

For the most current information, visit the Rockwell Automation Product Certifications website at <http://www.rockwellautomation.com/global/certification/overview.page?>

Attribute ⁽¹⁾	1200XT Non-display, 1200XT Display																																																																					
c-UL-us	UL/c-UL Listed as Information Technology Equipment for use in Hazardous Locations per standards ANSI/ISA 12.12.01, CSA C22.2 No. 213 Enclosure Type ratings per UL50 and CSA C22.2 No. 94.2 Enclosure ingress protection Classified by UL per IEC 60529. For more details, see 6181X-CT007 .																																																																					
IECEX	IEC60079-0 IEC60079-15 IEC60079-31 IECEX UL 17.0024X. For more details, see 6181X-CT011 .																																																																					
ATEX	EN60079-0 EN60079-15 EN60079-31 DEMKO 17 ATEX 1851X. For more details, see 6181X-CT012 .																																																																					
CE	EMC 2014/30/EU. For more details, see 6181X-CT010 . • Immunity standards: EN55024 • Emission standards: EN55032 Class A ATEX 2014/34/EU Waste Electrical and Electronic Equipment (WEEE) 2012/19/EU Metric Directive 80/181-EC EU Battery Directive 2006/66/EC																																																																					
FCC	Class A emissions																																																																					
KC	Registration of Broadcasting and Communications Equipment. For more details, see 6181X-CT009 .																																																																					
RoHS	<p>European RoHS 2011/65/EU. For more details, see 6181X-CT010. China RoHS:</p> <table border="1"> <thead> <tr> <th rowspan="2">部件名称 Part Name</th> <th colspan="6">有毒有害物质或元素 Toxic or Hazardous Substances and Elements</th> </tr> <tr> <th>铅 Lead (Pb)</th> <th>汞 Mercury (Hg)</th> <th>镉 Cadmium (Cd)</th> <th>六价铬 Hexavalent Chromium (Cr(VI))</th> <th>多溴联苯 Polybrominated Biphenyls (PBB)</th> <th>多溴二苯醚 Polybrominated Diphenyl Ethers (PBDE)</th> </tr> </thead> <tbody> <tr> <td>壳体 Housing</td> <td>X</td> <td>0</td> <td>0</td> <td>0</td> <td>0</td> <td>0</td> </tr> <tr> <td>显示 Display</td> <td>X</td> <td>0</td> <td>0</td> <td>0</td> <td>0</td> <td>0</td> </tr> <tr> <td>印刷电路板 Printed Circuit Board</td> <td>X</td> <td>0</td> <td>0</td> <td>0</td> <td>0</td> <td>0</td> </tr> <tr> <td>金属螺帽 Metal Fasteners</td> <td>X</td> <td>0</td> <td>0</td> <td>0</td> <td>0</td> <td>0</td> </tr> <tr> <td>电缆组装 Cable Assembly</td> <td>X</td> <td>0</td> <td>0</td> <td>0</td> <td>0</td> <td>0</td> </tr> <tr> <td>风扇组装 Fan Assembly</td> <td>X</td> <td>0</td> <td>0</td> <td>0</td> <td>0</td> <td>0</td> </tr> <tr> <td>电力供应组装 Power Supply Assemblies</td> <td>X</td> <td>0</td> <td>0</td> <td>0</td> <td>0</td> <td>0</td> </tr> <tr> <td>电池 Battery</td> <td>0</td> <td>0</td> <td>0</td> <td>0</td> <td>0</td> <td>0</td> </tr> </tbody> </table> <p>本表格依据SJ/T11364 的规定编制。 This table is made per guidance of SJ/T 11364.</p> <p>0: 表示该有害物质在该部件所有均质材料中的含量均在GB/T26572 规定的限量要求以下。 0: Indicates that this toxic or hazardous substance contained in all of the homogeneous materials for the part is below the limit requirement in GB/T 26572.</p> <p>X: 表示该有害物质至少在该部件的某一均质材料中的含量超出GB/T26572 规定的限量要求。 求。(企业可在此处,根据实际情况对上表中打“×”的技术原因进行进一步说明。) X: Indicates that this toxic or hazardous substance contained in at least one of the homogeneous materials for the part is below the limit requirement in GB/T 26572.</p> <p>Turkey RoHS (EEE Yönetmeliğine Uygundur. In Conformity with the EEE Regulation)</p>	部件名称 Part Name	有毒有害物质或元素 Toxic or Hazardous Substances and Elements						铅 Lead (Pb)	汞 Mercury (Hg)	镉 Cadmium (Cd)	六价铬 Hexavalent Chromium (Cr(VI))	多溴联苯 Polybrominated Biphenyls (PBB)	多溴二苯醚 Polybrominated Diphenyl Ethers (PBDE)	壳体 Housing	X	0	0	0	0	0	显示 Display	X	0	0	0	0	0	印刷电路板 Printed Circuit Board	X	0	0	0	0	0	金属螺帽 Metal Fasteners	X	0	0	0	0	0	电缆组装 Cable Assembly	X	0	0	0	0	0	风扇组装 Fan Assembly	X	0	0	0	0	0	电力供应组装 Power Supply Assemblies	X	0	0	0	0	0	电池 Battery	0	0	0	0	0	0
部件名称 Part Name	有毒有害物质或元素 Toxic or Hazardous Substances and Elements																																																																					
	铅 Lead (Pb)	汞 Mercury (Hg)	镉 Cadmium (Cd)	六价铬 Hexavalent Chromium (Cr(VI))	多溴联苯 Polybrominated Biphenyls (PBB)	多溴二苯醚 Polybrominated Diphenyl Ethers (PBDE)																																																																
壳体 Housing	X	0	0	0	0	0																																																																
显示 Display	X	0	0	0	0	0																																																																
印刷电路板 Printed Circuit Board	X	0	0	0	0	0																																																																
金属螺帽 Metal Fasteners	X	0	0	0	0	0																																																																
电缆组装 Cable Assembly	X	0	0	0	0	0																																																																
风扇组装 Fan Assembly	X	0	0	0	0	0																																																																
电力供应组装 Power Supply Assemblies	X	0	0	0	0	0																																																																
电池 Battery	0	0	0	0	0	0																																																																
RCM (formerly C-Tick)	Australian Radiocommunications Act, compliance with EN 55032. For more details, see 6181X-CT008 .																																																																					

(1) See <http://www.rockwellautomation.com/rockwellautomation/certification/overview.page> for declarations of conformity, certificates, and other certification details.

Table 18 - Power Specifications, 6181X Hazardous Location Computers

Attribute	6181X Non-display Models	6181X Display Models
Input voltage	18...32V DC	
Power consumption, DC (max)	18...32V DC (SELV), 2.46...1.34 A, 45 W	18...32V DC (SELV), 3.28...1.79 A, 60 W
Heat dissipation ⁽¹⁾	45 W (154 BTU/h)	60 W (205 BTU/h)
Ratings, max USB ports, per port PCIe slot	900 mA, 10 W max for all ports (2 A) 4 W	

(1) Add-in cards and peripherals are included in the heat dissipation value.

Table 19 - Technical Specifications, 6181X Hazardous Location Computers

Attribute	1200XT Non-display	1200XT Integrated Display
Display type	No display	Active matrix color TFT
Touch screen	—	Resistive, sunlight readable film
Display size, diagonal		308 mm (12.1 in.)
Display area (WxH)		246 x 185 mm (9.7 x 7.3 in.)
Native resolution		1024 x 768, 16.2M colors
Luminance		700 cd/m ² (Nits)
Contrast ratio, typical		800:1
View angle, typical		160°
LED backlight lifetime		100,000 hours max at 25 °C (77 °F)
Bezel		Aluminum
Processor	Intel Core i3-5010U, 2.1 GHz	
RAM	8 GB DDR3 installed (16 GB max)	
Solid-state drive • Installed • Max	MLC drive on computer side, 128 GB ⁽¹⁾ • 128 GB • 256 GB	
Expansion slots	1 half-length PCIe x1	
CompactFlash Type II slot	1 bootable data drive slot (shipped empty)	
I/O connections	<ul style="list-style-type: none"> • 2 serial RS-232 COM ports • 4 USB 2.0 ports, hot-swappable • 2 Ethernet LAN ports, 1 Gb each • 2 video ports: 1 DVI-I and 1 DisplayPort 	
Available operating systems	<ul style="list-style-type: none"> • Windows 10 IoT Enterprise (64 bit) • Windows 7 Professional (64 bit), Service Pack 1 	
Weight, approx	6.1 kg (13.45 lb)	8.4 kg (18.52 lb)
Dimensions, approx	See Table 20 on page 19	
Cutout dimensions		
Mount options	Wall	Panel

(1) 256 GB hard disk drive accessory available, cat. no. 6189X-256GBSSD.

Figure 4 - 6181X Hazardous Location Computer Dimensions

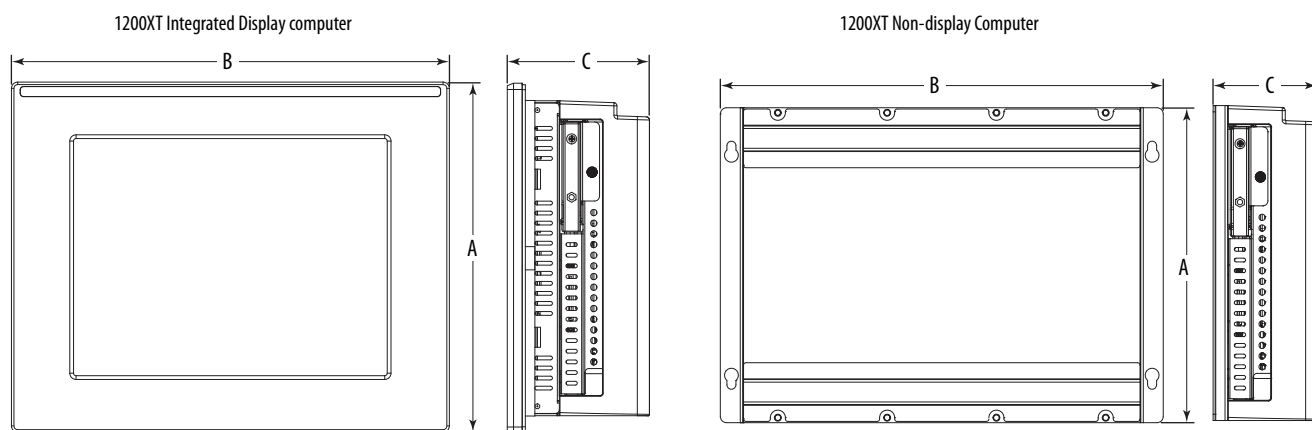


Table 20 - Computer and Cutout Dimensions

6181X Hazardous Location Computer	All dimensions are in mm (in.)				
	Overall Height A	Overall Width B	Overall Depth C	Cutout Height	Cutout Width
1200XT display	279 (10.98)	349 (13.74)	101.2 (3.98)	254 (10)	324 (12.76)
1200XT non-display	190 (7.5)	335 (13.20)	83.4 (3.28)	—	—

6177R Non-display Computers

The 6177R non-display computers take advantage of the Intel second-generation core processors to provide powerful platforms that are suited with excellent reliability for industrial environments. These computers are available in rugged machine-mount and rack-mount form factors and offer powerful remote management, onboard backup/restore, and integrated diagnostic capabilities.



Table 21 - Environmental Specifications, 6177R Non-display Computers

Attribute	750R, 1450R	
Temperature, operating	0...50 °C (32...122 °F)	
Temperature, nonoperating	-20...+60 °C (-4...+140 °F)	
Relative humidity	10...90% noncondensing	
Vibration, operating	0.006 in. p-p 10...57 Hz, 1 G peak at 57...640 Hz	
Vibration, nonoperating	0.012 in. p-p 10...57 Hz, 2 G peak at 57...640 Hz	
Shock, operating	15 G (1/2 sine, 11 ms)	
Shock, nonoperating	30 G (1/2 sine, 11 ms)	
Acoustic noise, idle	750R	44.3 dB at 50 cm
	1450R	46.6 dB at 50 cm
Acoustic noise, max	750R	63.4 dB at 50 cm
	1450R	64.4 dB at 50 cm

Table 22 - Certifications, 6177R Non-display Computers

For the most current information, visit the Rockwell Automation Product Certifications website at <http://www.rockwellautomation.com/global/certification/overview.page?>

Certification⁽¹⁾	750R, 1450R																																																																					
c-UL-us	Safety: UL/c-UL Listed per UL 60950-1. For more details, see 6177R-CT005 .																																																																					
CE	Immunity standards: EN55024, EN6100-3-2, EN6100-3-3 Emission standards: EN55022 Class A 2004/108/EC and 2014/30/EU EMC Directive 2006/95/EC and 2014/35/EU Low Voltage Directive For more details, see 6177R-CT004 .																																																																					
FCCR	Class A emissions																																																																					
KCC	Certified under the Framework Act on Telecommunications and Radio Waves Act. For more details, see 6177R-CT001 , 6177R-CT002 , and 6177R-CT003 . 위 기기는 「전기통신기본법」, 「전파법」에 따라 인증되었음을 증명합니다.																																																																					
RoHS	European RoHS 2011/65/EU. For more details, see 6177R-CT004 . China RoHS: <table border="1" style="width: 100%; border-collapse: collapse;"> <thead> <tr> <th rowspan="2">部件名称 Part Name</th> <th colspan="6">有毒有害物质或元素 Toxic or Hazardous Substances and Elements</th> </tr> <tr> <th>铅 Lead (Pb)</th> <th>汞 Mercury (Hg)</th> <th>镉 Cadmium (Cd)</th> <th>六价铬 Hexavalent Chromium (Cr(VI))</th> <th>多溴联苯 Polybrominated Biphenyls (PBB)</th> <th>多溴二苯醚 Polybrominated Diphenyl Ethers (PBDE)</th> </tr> </thead> <tbody> <tr> <td>壳体 Housing</td> <td>X</td> <td>0</td> <td>0</td> <td>0</td> <td>0</td> <td>0</td> </tr> <tr> <td>显示 Display</td> <td>X</td> <td>0</td> <td>0</td> <td>0</td> <td>0</td> <td>0</td> </tr> <tr> <td>印刷电路板 Printed Circuit Board</td> <td>X</td> <td>0</td> <td>0</td> <td>0</td> <td>0</td> <td>0</td> </tr> <tr> <td>金属螺帽 Metal Fasteners</td> <td>X</td> <td>0</td> <td>0</td> <td>0</td> <td>0</td> <td>0</td> </tr> <tr> <td>电缆组装 Cable Assembly</td> <td>X</td> <td>0</td> <td>0</td> <td>0</td> <td>0</td> <td>0</td> </tr> <tr> <td>风扇组装 Fan Assembly</td> <td>X</td> <td>0</td> <td>0</td> <td>0</td> <td>0</td> <td>0</td> </tr> <tr> <td>电力供应组装 Power Supply Assemblies</td> <td>X</td> <td>0</td> <td>0</td> <td>0</td> <td>0</td> <td>0</td> </tr> <tr> <td>电池 Battery</td> <td>0</td> <td>0</td> <td>0</td> <td>0</td> <td>0</td> <td>0</td> </tr> </tbody> </table> <p>本表格依据SJ/T11364 的规定编制。 This table is made per guidance of SJ/T 11364.</p> <p>0: 表示该有害物质在该部件所有均质材料中的含量均在GB/T26572 规定的限量要求以下。 0: Indicates that this toxic or hazardous substance contained in all of the homogeneous materials for the part is below the limit requirement in GB/T 26572.</p> <p>X: 表示该有害物质至少在该部件的某一均质材料中的含量超出GB/T26572 规定的限量要求。 求。(企业可在此处, 根据实际情况对上表中打“X”的技术原因进行进一步说明。) X: Indicates that this toxic or hazardous substance contained in at least one of the homogeneous materials for the part is below the limit requirement in GB/T 26572.</p>	部件名称 Part Name	有毒有害物质或元素 Toxic or Hazardous Substances and Elements						铅 Lead (Pb)	汞 Mercury (Hg)	镉 Cadmium (Cd)	六价铬 Hexavalent Chromium (Cr(VI))	多溴联苯 Polybrominated Biphenyls (PBB)	多溴二苯醚 Polybrominated Diphenyl Ethers (PBDE)	壳体 Housing	X	0	0	0	0	0	显示 Display	X	0	0	0	0	0	印刷电路板 Printed Circuit Board	X	0	0	0	0	0	金属螺帽 Metal Fasteners	X	0	0	0	0	0	电缆组装 Cable Assembly	X	0	0	0	0	0	风扇组装 Fan Assembly	X	0	0	0	0	0	电力供应组装 Power Supply Assemblies	X	0	0	0	0	0	电池 Battery	0	0	0	0	0	0
部件名称 Part Name	有毒有害物质或元素 Toxic or Hazardous Substances and Elements																																																																					
	铅 Lead (Pb)	汞 Mercury (Hg)	镉 Cadmium (Cd)	六价铬 Hexavalent Chromium (Cr(VI))	多溴联苯 Polybrominated Biphenyls (PBB)	多溴二苯醚 Polybrominated Diphenyl Ethers (PBDE)																																																																
壳体 Housing	X	0	0	0	0	0																																																																
显示 Display	X	0	0	0	0	0																																																																
印刷电路板 Printed Circuit Board	X	0	0	0	0	0																																																																
金属螺帽 Metal Fasteners	X	0	0	0	0	0																																																																
电缆组装 Cable Assembly	X	0	0	0	0	0																																																																
风扇组装 Fan Assembly	X	0	0	0	0	0																																																																
电力供应组装 Power Supply Assemblies	X	0	0	0	0	0																																																																
电池 Battery	0	0	0	0	0	0																																																																
RCM (formerly C-Tick)	Emissions standards: AS/NZS CISPR 22 Class A																																																																					
Turkey RoHS (EEE Yönetmeliğine Uygundur. In Conformity with the EEE Regulation)																																																																						

(1) When marked. See the Product Certification link at <http://www.rockwellautomation.com/rockwellautomation/certification/overview.page> for declarations of conformity, certificates, and other certification details.

Table 23 - Technical Specifications, 6177R Non-display Computers

Attribute	750R	1450R
Display type	Requires external monitor	Requires external monitor
Available operating systems	Windows 10 IoT Enterprise (64 bit), Windows 7 Professional (64 bit) SP1, or no operating system	
Performance	Windows 10 IoT Enterprise (64 bit), Windows Embedded 8.1 Industry Professional, or Windows 7 Professional (64 bit) SP1	
Advanced	Windows Server 2012 Standard R2, Windows Server 2008 R2 SP1, or no operating system	
Server		
Processor	Intel Core i3-2120, 3.3 GHz Intel Core i5-2400, 3.1 GHz Intel Core i5-2400, 3.1 GHz	Intel Core i3-2120, 3.3 GHz Intel Core i5-2400, 3.1 GHz Intel Core i5-2400, 3.1 GHz
Ethernet LAN	2 ports, 10/100/1000 Mbps	
RAM memory	4 GB DDR3, 32 GB max 8 GB DDR3, 32 GB max 8 GB DDR3, 32 GB max	4 GB DDR3, 32 GB max 8 GB DDR3, 32 GB max 8 GB DDR3, 32 GB max
Storage drive	(1) 500 GB, 3.5-in. SATA HDD (1) 500 GB, 3.5-in. SATA HDD (2) 500 GB, 3.5-in. SATA HDD	(1) 500 GB, 3.5-in. SATA HDD (1) 500 GB, 3.5-in. SATA HDD (2) 500 GB, 3.5-in. SATA HDD
RAID 1 enabled	No No Yes	No No Yes
RAID capabilities	RAID 0 or RAID 1 with second HDD installed and RAID array configured	
Optical disk drive (ODD)	DVD-RW	DVD-RW
Expansion slots	<ul style="list-style-type: none"> • 1 PCI (750R) or 4 PCI (1450R) • 1 PCI Express x16 • 1 PCI Express x4 • 1 PCI Express x1 	
I/O ports	<ul style="list-style-type: none"> • 1 PS/2 keyboard • 1 PS/2 mouse • 2 serial • 1 parallel • 2 Ethernet LAN ports, 1 Gb each • 7 USB 2.0 ports (4 rear, 2 front, 1 internal) • 2 USB 3.0 ports (1 rear, 1 front) • 1 eSATAp (5V, 500 mA) • 2 DVI (DVI-1, DVI-D) DVI-1 port converts to VGA with supplied adapter • Audio line in, audio line out and microphone 	
Input voltage, AC	100...240V, autoranging	
Line frequency	50...60 Hz	
Power consumption, AC	10 A at 100V rms, 5 A at 240V rms	
Input voltage, DC	—	—
Power consumption, DC	—	—
Weight, approx	13.8 kg (30.36 lb)	14.0 kg (30.80 lb)
Dimensions, approx	See Table 24 on page 22	
Mount options	Machine mount	4U rack mount

Figure 5 - 6177R Non-display Computer Dimensions

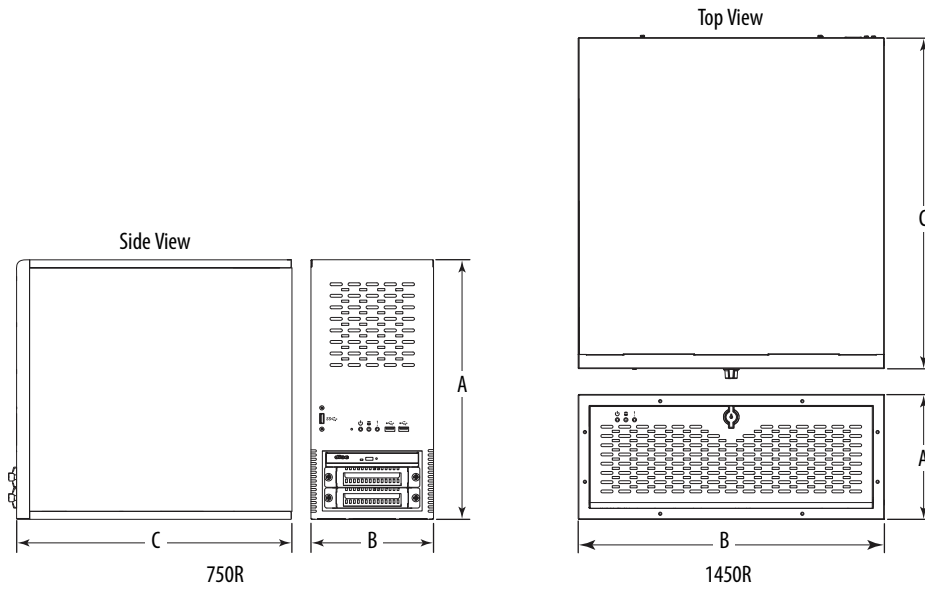


Table 24 - Computer Dimensions

6177R Computer	All dimensions are in mm (in.)		
	Overall Height A	Overall Width B	Overall Depth C
750R	360 (14.17)	170 (6.69)	381 (15.01)
1400R	176 (6.93)	431 (16.97)	465 (18.31)

Rockwell Automation Industrial Monitors

Rockwell Automation industrial monitors deliver the latest in LCD flat panel technology for rugged industrial environments. VersaView 5100 monitors are designed for applications that require widescreen and multi-touch content. Their stainless steel construction allows them to be used in NEMA 4X and IEC IP66 environments. Bulletin 6186M monitors are better suited for special purpose environments such as UL Class 1 division 2, and food and beverage areas. Bulletin 6176M monitors are designed for environments that are less demanding but still must maintain endurance to temperature, shock and vibration.

[Table 25](#) compares the various industrial monitor features to assist in your purchase.

Table 25 - Industrial Monitors Comparison

Characteristic	Industrial Monitor Model		
	VersaView 5100	6176M	6186M
Display	<ul style="list-style-type: none"> • 12.1in widescreen color TFT • 15.6in widescreen color TFT • 18.5in widescreen color TFT • 21.5in widescreen color TFT 	<ul style="list-style-type: none"> • 1550M: 15 in. color TFT • 1750M: 17 in. color TFT • 1950M: 19 in. color TFT 	<ul style="list-style-type: none"> • 1200M: 12.1 in. color TFT • 1500M: 15 in. color TFT • 1700M: 17 in. color TFT • 1900M: 19 in. color TFT
Available bezels	Tempered glass with stainless steel ring	<ul style="list-style-type: none"> • Aluminum • Plastic 	<ul style="list-style-type: none"> • Aluminum • Stainless steel
Resolution	<ul style="list-style-type: none"> • 12.1in: 1280 x 800 16:9 widescreen, 16.7M colors • 15.6in and 18.5in: 1366 x 768 16:9 widescreen, 16.7M colors • 21.5in: 1920 x 1080 16:9 widescreen, 16.7M colors 	<ul style="list-style-type: none"> • 1550M: 1024 x 768, 16.7M colors • 1750M/1950M: 1280 x 1024, 16.7M colors 	<ul style="list-style-type: none"> • 1200M: 800 x 600, 256K colors • 1500M: 1024 x 768, 16.7M colors • 1700M/1900M: 1280 x 1024, 16.7M colors
Touch screen	Projected capacitive, 10-point multi-touch USB input	Resistive antiglare RS-232 and USB inputs, model dependent	Resistive antiglare RS-232 and USB inputs, model dependent
Contrast ratio	<ul style="list-style-type: none"> • 12.1in: 1000:1 • 15.6in: 500:1 • 18.5in: 1000:1 • 21.5in: 5000:1 	<ul style="list-style-type: none"> • 1550M: 400:1 • 1750M/1950M: 800:1 	<ul style="list-style-type: none"> • 1200M: 600:1 • 1500M: 400:1 • 1700M: 1000:1 • 1900M: 1300:1
Luminance	<ul style="list-style-type: none"> • 12.1 in: 400 cd/m² (Nits) • 15.6 in: 400 cd/m² (Nits) • 18.5 in: 450 cd/m² (Nits) • 21.5 in: 350 cd/m² (Nits) 	<ul style="list-style-type: none"> • 1550M: 350 cd/m² (Nits) • 1750M/1950M: 300 cd/m² (Nits) 	<ul style="list-style-type: none"> • 1500M/1700M: 450 cd/m² (Nits) • 1700M/1900M: 300 cd/m² (Nits)
Video input signal	DisplayPort, DVI, VGA ⁽¹⁾	DVI and VGA (analog)	DVI and VGA (analog)
OS drivers, touch screen	<ul style="list-style-type: none"> • Windows • Linux 	<ul style="list-style-type: none"> • Windows 10 IoT Enterprise⁽²⁾ • Windows Embedded 8.1 Industry Pro⁽²⁾ • Windows 7 Pro 64 bit⁽²⁾ • Windows 7 Pro 32 bit⁽¹⁾ • Windows XP Pro⁽³⁾ • Windows Server 2012 Standard R2⁽²⁾ • Windows Server 2008⁽²⁾ • Windows Server 2003⁽¹⁾ 	<ul style="list-style-type: none"> • Windows 10 IoT Enterprise • Windows Embedded 8.1 Industry Pro⁽⁴⁾ • Windows 7 Pro 64 bit⁽⁴⁾ • Windows 7 Pro 32 bit⁽³⁾ • Windows XP Pro⁽⁵⁾ • Windows Server 2012 Standard R2⁽⁴⁾ • Windows Server 2008⁽⁴⁾ • Windows Server 2003⁽³⁾
Power	DC	AC or DC	AC or DC
Environmental conditions			
Temperature	0...50 °C (32...122 °F)	0...45 °C (32...113 °F)	1200M/1500M: 0...55 °C (32...131 °F) 1700M/1900M: 0...50 °C (32...122 °F)
Shock (operating/nonoperating)	15 g/30 g	15 g/20 g	20 g/30 g
Vibration (operating/nonoperating)	1 g/2 g	1 g/2 g	2 g/2 g Rated Class 1 Division 2 for hazardous locations Preferred computer: 6181X hazardous location
Mount options	<ul style="list-style-type: none"> • Panel • VESA 	<ul style="list-style-type: none"> • Panel • VESA • Bench/tabletop • Rack (only 1900M) 	<ul style="list-style-type: none"> • Panel • Bench/tabletop • Rack (only 1900M)

(1) For VGA, cat. no. 6189V-DVIVGA DVI-to-VGA adapter required, which is sold separately.

(2) For Series C or later monitors.

(3) For Series B or later monitors.

(4) For Series G or later monitors.

(5) For Series F or later monitors.

VersaView 5100 Industrial Monitors

VersaView 5100 industrial monitors are designed for applications that require widescreen content. They have an edge-to-edge, all glass, 10-point multi-touch screen. The touch screens are precalibrated so that recalibration is not necessary. In addition, the stainless steel construction allows them to be used in NEMA 4X and IEC IP66 environments.

The native DisplayPort interface makes them ideal for connecting to VersaView 5000 computers and Thin Clients.



Table 26 - Environmental Specifications, VersaView 5100 Industrial Monitors

Attribute	6200M-12WBN, 6200M-15WBN, 6200M-19WBN, 6200M-22WBN
Temperature, operating	0...50 °C (32...122 °F)
Temperature, nonoperating	-20...+70 °C (-4...+158 °F)
Relative humidity	10...90% noncondensing
Vibration, operating	1 G at 10...500 Hz
Vibration, nonoperating	2 G at 10...500 Hz
Shock, operating	15 G (1/2 sine, 11 ms)
Shock, nonoperating	30 G (1/2 sine, 11 ms)
Enclosure ratings	<ul style="list-style-type: none"> • VESA mount: IEC IP20 • Panel mount: NEMA 4X, IEC IP66

Table 27 - Certifications, VersaView 5100 Industrial Monitors

For the most current certification information, visit the Rockwell Automation Product Certifications website at <http://www.rockwellautomation.com/global/certification/overview.page?>

Certification	6200M-12WBN, 6200M-15WBN, 6200M-19WBN, 6200M-22WBN																																																																					
c-UL-us	See Rockwell Automation Product Certifications website.																																																																					
CE	See Rockwell Automation Product Certifications website.																																																																					
EAC	See Rockwell Automation Product Certifications website.																																																																					
FCC	Class A emissions																																																																					
Korea (KC)	Certificate of compliance 위 기기는 「전기통신기본법」, 「전파법」에 따라 인증되었음을 증명합니다.																																																																					
RCM	See Rockwell Automation Product Certifications website.																																																																					
RoHS	<p>European RoHS 2011/65/EU. China RoHS:</p> <table border="1"> <thead> <tr> <th rowspan="2">部件名称 Part Name</th> <th colspan="6">有毒有害物质或元素 Toxic or Hazardous Substances and Elements</th> </tr> <tr> <th>铅 Lead (Pb)</th> <th>汞 Mercury (Hg)</th> <th>镉 Cadmium (Cd)</th> <th>六价铬 Hexavalent Chromium (Cr(VI))</th> <th>多溴联苯 Polybrominated Biphenyls (PBB)</th> <th>多溴二苯醚 Polybrominated Diphenyl Ethers (PBDE)</th> </tr> </thead> <tbody> <tr> <td>壳体 Housing</td> <td>X</td> <td>0</td> <td>0</td> <td>0</td> <td>0</td> <td>0</td> </tr> <tr> <td>显示 Display</td> <td>X</td> <td>0</td> <td>0</td> <td>0</td> <td>0</td> <td>0</td> </tr> <tr> <td>印刷电路板 Printed Circuit Board</td> <td>X</td> <td>0</td> <td>0</td> <td>0</td> <td>0</td> <td>0</td> </tr> <tr> <td>金属螺帽 Metal Fasteners</td> <td>X</td> <td>0</td> <td>0</td> <td>0</td> <td>0</td> <td>0</td> </tr> <tr> <td>电缆组装 Cable Assembly</td> <td>X</td> <td>0</td> <td>0</td> <td>0</td> <td>0</td> <td>0</td> </tr> <tr> <td>风扇组装 Fan Assembly</td> <td>X</td> <td>0</td> <td>0</td> <td>0</td> <td>0</td> <td>0</td> </tr> <tr> <td>电力供应组装 Power Supply Assemblies</td> <td>X</td> <td>0</td> <td>0</td> <td>0</td> <td>0</td> <td>0</td> </tr> <tr> <td>电池 Battery</td> <td>0</td> <td>0</td> <td>0</td> <td>0</td> <td>0</td> <td>0</td> </tr> </tbody> </table> <p>本表格依据SJ/T11364 的规定编制。 This table is made per guidance of SJ/T 11364.</p> <p>0: 表示 该有害物质在该部件所有均质材料中的含量均在 GB/T26572 规定的限量要求以下。 0: Indicates that this toxic or hazardous substance contained in all of the homogeneous materials for the part is below the limit requirement in GB/T 26572.</p> <p>X: 表示 该有害物质至少在该部件的某一均质材料中的含量超出GB/T26572 规定的限量要求。 求。(企业可在此处, 根据实际情况对上表中打“×”的技术原因进行进一步说明。) X: Indicates that this toxic or hazardous substance contained in at least one of the homogeneous materials for the part is below the limit requirement in GB/T 26572.</p> <p>Turkey RoHS (EEE Yönetmeliğine Uygundur. In Conformity with the EEE Regulation)</p>	部件名称 Part Name	有毒有害物质或元素 Toxic or Hazardous Substances and Elements						铅 Lead (Pb)	汞 Mercury (Hg)	镉 Cadmium (Cd)	六价铬 Hexavalent Chromium (Cr(VI))	多溴联苯 Polybrominated Biphenyls (PBB)	多溴二苯醚 Polybrominated Diphenyl Ethers (PBDE)	壳体 Housing	X	0	0	0	0	0	显示 Display	X	0	0	0	0	0	印刷电路板 Printed Circuit Board	X	0	0	0	0	0	金属螺帽 Metal Fasteners	X	0	0	0	0	0	电缆组装 Cable Assembly	X	0	0	0	0	0	风扇组装 Fan Assembly	X	0	0	0	0	0	电力供应组装 Power Supply Assemblies	X	0	0	0	0	0	电池 Battery	0	0	0	0	0	0
部件名称 Part Name	有毒有害物质或元素 Toxic or Hazardous Substances and Elements																																																																					
	铅 Lead (Pb)	汞 Mercury (Hg)	镉 Cadmium (Cd)	六价铬 Hexavalent Chromium (Cr(VI))	多溴联苯 Polybrominated Biphenyls (PBB)	多溴二苯醚 Polybrominated Diphenyl Ethers (PBDE)																																																																
壳体 Housing	X	0	0	0	0	0																																																																
显示 Display	X	0	0	0	0	0																																																																
印刷电路板 Printed Circuit Board	X	0	0	0	0	0																																																																
金属螺帽 Metal Fasteners	X	0	0	0	0	0																																																																
电缆组装 Cable Assembly	X	0	0	0	0	0																																																																
风扇组装 Fan Assembly	X	0	0	0	0	0																																																																
电力供应组装 Power Supply Assemblies	X	0	0	0	0	0																																																																
电池 Battery	0	0	0	0	0	0																																																																

Table 28 - Technical Specifications, VersaView 5100 Industrial Monitors

Attribute	6200M-12WBN	6200M-15WBN	6200M-19WBN	6200M-22WBN
Display type	Color active-matrix TFT LCD			
Display size, diagonal	12.1 in. (307 mm)	15.6 in. (396 mm)	18.5 in. (470 mm)	21.5 in. (546 mm)
Display area (W x H)	261.1 x 163.2 mm (10.28 x 6.43 in.)	344.2 x 193.5 mm (13.55 x 7.62 in.)	409.8 x 230.4 mm (16.13 x 9.07 in.)	476.6 x 268.1 mm (18.76 x 10.56 in.)
Resolution, native mode	1280 x 800	1366 x 768		1920 x 1080
Luminance	400 cd/m ² (Nits)		450 cd/m ² (Nits)	350 cd/m ² (Nits)
Contrast ratio, typical	1000:1	500:1	1000:1	5000:1
Response time, max • Fall • Rise	• 4 ms • 9 ms		• 2.5 ms • 5 ms	• 10 ms • 25 ms
Status indicator backlight lifetime	100,000 hours at 25 °C (77 °F)	50,000 hours at 25 °C (77 °F)		
Backlight type	Light-emitting diode			
Bezel type	Tempered glass with stainless steel ring			
Touch screen	Projected capacitive (PCAP), 10-point multi-touch USB input			
Touch screen controller	EETI/eGalax			
OS drivers, touch screen	• Windows • Linux			
USB hub	None			
Video input signal	DVI and VGA			
Video input connectors	• DisplayPort • DVI • VGA ⁽¹⁾			
OSD controls	Via software utility ⁽²⁾			
Input voltage, DC	24V DC			
Power consumption, max	11.7 W	12.1 W	15.3 W	25.5 W
Dimensions, approx	See Table 29 on page 27			
Cutout dimensions				
Weight, approx	4.08 kg (9 lb)	5.39 kg (11.9 lb)	6.75 kg (14.9 lb)	7.98 kg (17.6 lb)
Mount options	• VESA 75/100 • Panel mount			

(1) Can be used for VGA with DVI-to-VGA adapter, cat. no. 6189V-DVI-VGA, which is sold separately.

(2) Available for download from the Rockwell Automation Product Compatibility and Download Center (PCDC), <https://compatibility.rockwellautomation.com/Pages/home.aspx>.

Figure 6 - VersaView 5100 Industrial Monitors Dimensions

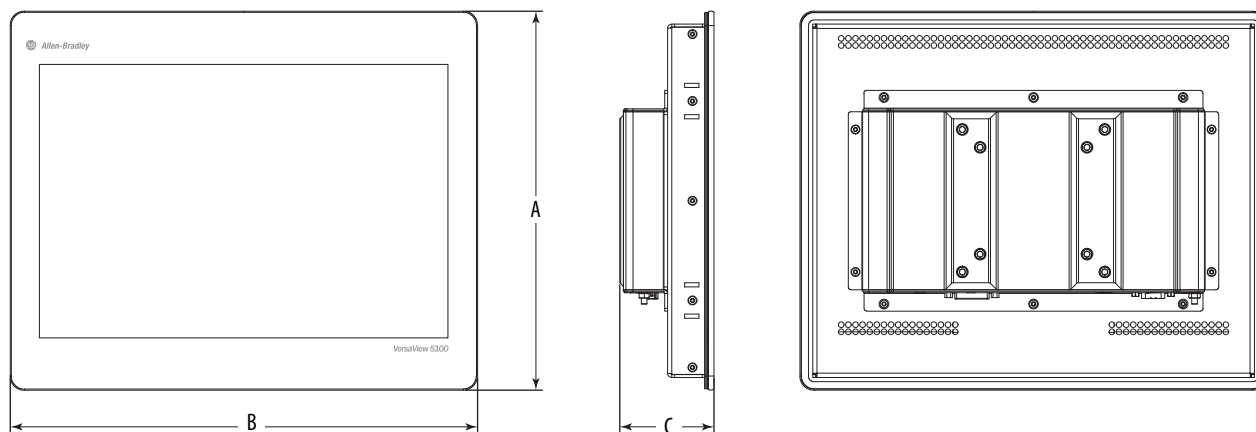


Table 29 - Monitor and Cutout Dimensions

VersaView Model	All dimensions are in mm (in.)				
	Height A	Width B	Depth C	Cutout Height	Cutout Width
6200M-12WBN	266 (10.47)	328 (12.91)	66.1 (2.6)	250 (9.84)	312 (12.28)
6200M-15WBN	298 (11.73)	414 (16.3)		282 (11.1)	398 (15.67)
6200M-19WBN	337 (13.27)	480 (18.9)		321 (12.64)	464 (18.27)
6200M-22WBN	373 (14.68)	545 (21.46)		357 (14.06)	529 (20.83)

6186M Performance Industrial Monitors

The 6186M performance monitors are best suited for special purpose environments, such as Class 1 Division 2, and Food and Beverage areas, providing excellent protection against heat, shock, and vibration.

Table 30 - Environmental Specifications, 6186M Performance Industrial Monitors

Attribute	1200M, 1500M, 1700M, 1900M
Temperature, operating	
1200M, 1500M	0...55 °C (32...131 °F)
1700M, 1900M	0...50 °C (32...122 °F)
Temperature, nonoperating	-20...+60 °C (-4...+140 °F)
Relative humidity	10...90% noncondensing
Vibration, operating	2 G at 10...640 Hz
Vibration, nonoperating	2 G at 10...640 Hz
Shock, operating	20 G (1/2 sine, 11 ms)
Shock, nonoperating	30 G (1/2 sine, 11 ms)
Enclosure ratings ⁽¹⁾	NEMA / UL 50 Type 1, 4, 4X, 12, and IEC IP66

(1) Applies only to panel-mounted monitors.



Aluminum Bezel Model



Stainless Steel Bezel Model

Table 31 - Certifications, 6186M Performance Industrial Monitors

For the most current certification information, visit the Rockwell Automation Product Certifications website at <http://www.rockwellautomation.com/global/certification/overview.page?>

Certification ⁽¹⁾	1200M, 1500M, 1700M, 1900M
c-UL-us	UL Listed Class I, Division 2, per ISA 12.12.01 (when marked on the nameplate) c-UL Listed Class I, Division 2, per CSA No. 213 (when marked on the nameplate)
CE	2006/95/EC and 2014/35/EU Low Voltage Directive 2004/108/EU and 2014/30/EU EMC Directive 2011/65/EU RoHS Directive For more details, see 6186M-CT003 .
KCC	Certified under the Framework Act on Telecommunications and Radio Waves Act (for 1700M and 1900M computer models). For more details, see 6186M-CT001 and 6186M-CT002 .
RCM (formerly C-Tick)	Australian Radiocommunications Act, compliance with: AS/NZS 3548 (CISPR 22, EN55022)

(1) When marked. See the Product Certification link at <http://www.rockwellautomation.com/rockwellautomation/certification/overview.page> for declarations of conformity, certificates, and other certification details.

Table 32 - Technical Specifications, 6186M Performance Industrial Monitors

Attribute	1200M	1500M	1700M	1900M
Display type	Color active-matrix TFT LCD			
Display size, diagonal	12.1 in. (307 mm)	15 in. (381 mm)	17 in. (432 mm)	19 in. (483 mm)
Display area (WxH)	246 x 185 mm (9.7 x 7.3 in.)	305 x 229 mm (12 x 9 in.)	338 x 270 mm (13.3 x 10.6 in.)	377x 302 mm (14.8 x 11.9 in.)
Resolution, native mode	800 x 600 262K colors	1024 x 768 16.2M colors	1280 x 1024 16.7M colors	
Luminance	450 cd/m ² Nits		300 cd/m ² Nits	
Contrast ratio	600:1, typical	400:1, typical	1000:1, typical	1300:1, typical
Response time, max	35 ms	16 ms	8 ms	
Status indicator backlight lifetime	50,000 hours at 25 °C (77 °F)			
Bezel	Aluminum	<ul style="list-style-type: none"> Aluminum Stainless steel 		
Touch screen option	Resistive antiglare (RS-232 and USB inputs), model dependent			
OS drivers, touch screen	<ul style="list-style-type: none"> Windows 10 IoT Enterprise Windows Embedded 8.1 Industry Pro⁽²⁾ Windows 7 Pro 64 bit⁽¹⁾ Windows 7 Pro 32 bit⁽¹⁾ Windows XP Pro⁽²⁾ Windows Server 2012 Standard R2⁽²⁾ Windows Server 2008⁽²⁾ Windows Server 2003⁽¹⁾ 			
USB hub	(2) rear USB 2.0 ports, 500 mA per port (1) front USB 2.0 port, 500 mA (only on aluminum bezel models)			
Video input signal	DVI and VGA			
Video input connectors	HD-15 VGA for analog video signal DVI for digital video signal			
OSD controls (on rear)	<ul style="list-style-type: none"> Automatic screen setup (OSD) Brightness Contrast Horizontal position Vertical position Image lock Color balance Sync detect 			
Input voltage, AC	100...240V AC autoranging, 47...63, requires power adapter			
Power consumption, max	34 W	34 W	55 W	57 W
Input voltage, DC	9...36V DC (24V DC nominal)			
Weight, approx	4.4 kg (9.75 lb)	<ul style="list-style-type: none"> Aluminum: 7.3 kg (16.0 lb) Stainless steel: 8.6 kg (19.0 lb) 	<ul style="list-style-type: none"> Aluminum: 8.6 kg (19.0 lb) Stainless steel: 10.1 kg (22.25 lb) 	<ul style="list-style-type: none"> Aluminum: 10.2 kg (22.5 lb) Stainless steel: 11.9 kg (26.25 lb)
Dimensions, approx	See Table 33 on page 30			
Cutout dimensions				
Mount options	<ul style="list-style-type: none"> Panel Bench/tabletop DIN rail for AC power adapter 			<ul style="list-style-type: none"> Panel Bench/tabletop DIN rail for AC power adapter

(1) For Series G or later monitors.

(2) For Series F or later monitors.

Figure 7 - 6186M Performance Industrial Monitor Dimensions

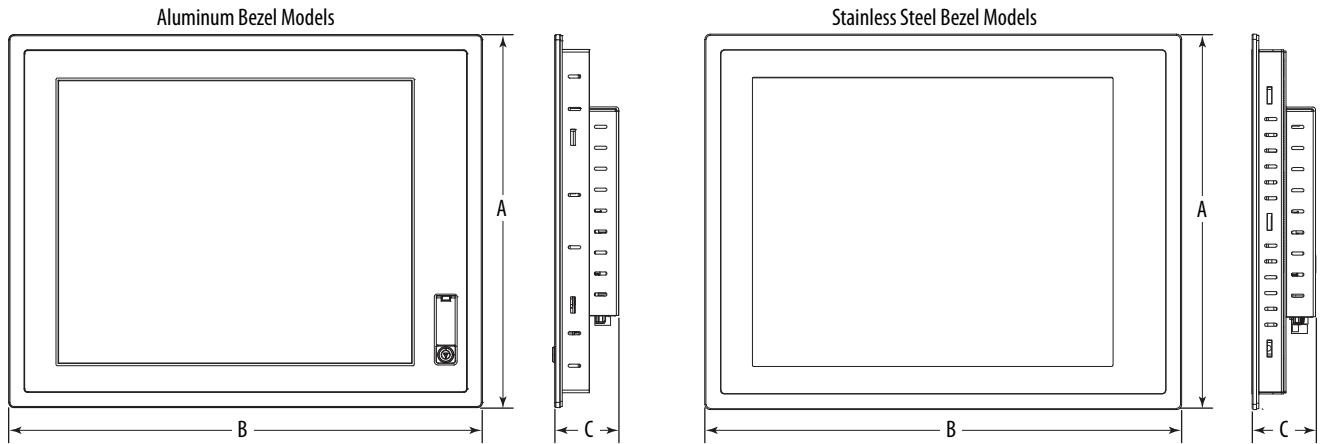


Table 33 - Monitor and Cutout Dimensions

6186M Model	All dimensions are in mm (in.)				
	Height A	Width B	Depth C	Cutout Height	Cutout Width
1200M	260 (10.24)	340 (13.39)	61 (2.40)	238 (9.37)	318 (12.51)
1500M	309 (12.17)	410 (16.14)		285.6 (11.24)	386.6 (15.22)
1700M	356 (14.02)	452 (17.80)		329.5 (12.97)	424 (16.69)
1900M	399 (15.71)	483 (19.02)	64 (2.52)	363.5 (14.31)	449.6 (17.7)

6176M Standard Industrial Monitors

The 6176M standard monitors are designed for less demanding environments, still providing industrial ratings for temperature, shock, and vibration.



Table 34 - Technical Specifications, 6176M Standard Industrial Monitors

Attribute	1550M, 1750M, 1950M
Temperature, operating	0...45 °C (32...113 °F)
Temperature, nonoperating	-20...+60 °C (-4...+140 °F)
Relative humidity	10...90% noncondensing
Vibration, operating	1 G at 53...640 Hz
Vibration, nonoperating	2 G at 53...640 Hz
Shock, operating	15 G (1/2 sine, 11 ms)
Shock, nonoperating	20 G (1/2 sine, 11 ms)
Enclosure ratings ⁽¹⁾	NEMA Type 4, 12, IEC IP66

(1) Applies only to panel-mounted monitors.

Table 35 - Certifications, 6176M Standard Industrial Monitors

For the most current certification information, visit the Rockwell Automation Product Certifications website at <http://www.rockwellautomation.com/global/certification/overview.page?>

Certification ⁽¹⁾	1550M, 1750M, 1950M
UL/c-UL	UL/c-UL Listed per UL 60950-1 and CSA C22.2 60950-1 second edition. For more details, see 6176M-CT004 .
CE	2006/95/EC and 2014/35/EU Low Voltage Directive 2004/108/EC & 2014/30/EU EMC Directive For more details, see 6176M-CT003 .
KCC	Certified under the Framework Act on Telecommunications and Radio Waves Act (for 1750M computer models). For more details, see 6176M-CT001 .
RoHS	2011/65/EU European RoHS. For more details, see 6176M-CT003 . China RoHS
RCM (formerly C-Tick)	Australian Radiocommunications Act, compliant with AS/NZS 3548 (CISPR 22, EN55022) For more details, see 6176M-CT002 .

(1) When marked. See the Product Certification link at <http://www.rockwellautomation.com/rockwellautomation/certification/overview.page> for declarations of conformity, certificates, and other certification details.

Table 36 - Technical Specifications, 6176M Standard Industrial Monitors

Attribute	1550M	1750M	1950M	
Display type	Color active-matrix TFT LCD			
Display size, diagonal	15 in. (381 mm)	17 in. (432 mm)	19 in. (483 mm)	
Display area (WxH)	305 x 229 mm (12.0 x 9.0 in.)	338 x 270 mm (13.3 x 10.7 in.)	377 x 302 mm (14.8 x 11.9 in.)	
Resolution	1024 x 768, 16.7M colors	1280 x 1024, 16.7M colors		
Luminance	350 cd/m ² Nits			
Contrast ratio, typical	400:1	800:1		
Response time, max	4 ms (fall) 12 ms (rise)	3 ms (fall) 6 ms (rise)		
Status indicator backlight lifetime	50,000 hours at 25 °C (77 °F)			
Available bezels	<ul style="list-style-type: none"> • Plastic (reinforced steel) • Aluminum alloy 			
Touch screen option	Resistive antiglare (RS-232 and USB inputs), model dependent			
Touch screen controller	Series A and B Series C Panjit eGalax_eMPIA Technology Inc (EETI)			
OS drivers, touch screen	Series A and B Series C <ul style="list-style-type: none"> • Windows 7 Pro (32 bit) • Windows XP Pro • Windows Server 2003 (32 bit) • Windows 10 IoT Enterprise • Windows Embedded 8.1 Industry Pro • Windows 7 Pro (32 bit and 64 bit) • Windows XP Pro • Windows Server 2012 Standard R2 • Windows Server 2008 (64 bit) • Windows Server 2003 (32 bit) 			
USB hub	(2) USB 2.0, 500 mA per port			
Video input signal	VGA and DVI (system auto-select)			
Video input connectors	HD-15 VGA for analog video signal DVI for digital video signal			
OSD controls	Rear controls: automatic screen setup (OSD), brightness, contrast, horizontal position, vertical position, image lock, color balance, sync detect			
Input voltage, AC	90...264V AC autoranging, 47...63			
Power consumption	2.0 A at 24 W	3 A at 36 W	3.5 A at 42 W	
Input voltage, DC	12V DC, power adapter required			
Weight, approx	VESA mount Panel mount	3.1 kg (6.82 lb) 4.1 kg (9.02 lb)	4.6 kg (10.12 lb) 5.7 kg (12.54 lb)	6.0 kg (13.20 lb) 7.5 kg (16.50 lb)
Dimensions, approx	See Table 37 on page 33			
Cutout dimensions				
Mount options	<ul style="list-style-type: none"> • VESA • Panel • Bench/tabletop 	<ul style="list-style-type: none"> • VESA • Panel • Bench/tabletop 	<ul style="list-style-type: none"> • VESA • Panel • Rack⁽¹⁾ • Bench/tabletop 	

(1) Installs in a standard 19-in. rack.

Figure 8 - 6176M Standard Industrial Monitor Dimensions

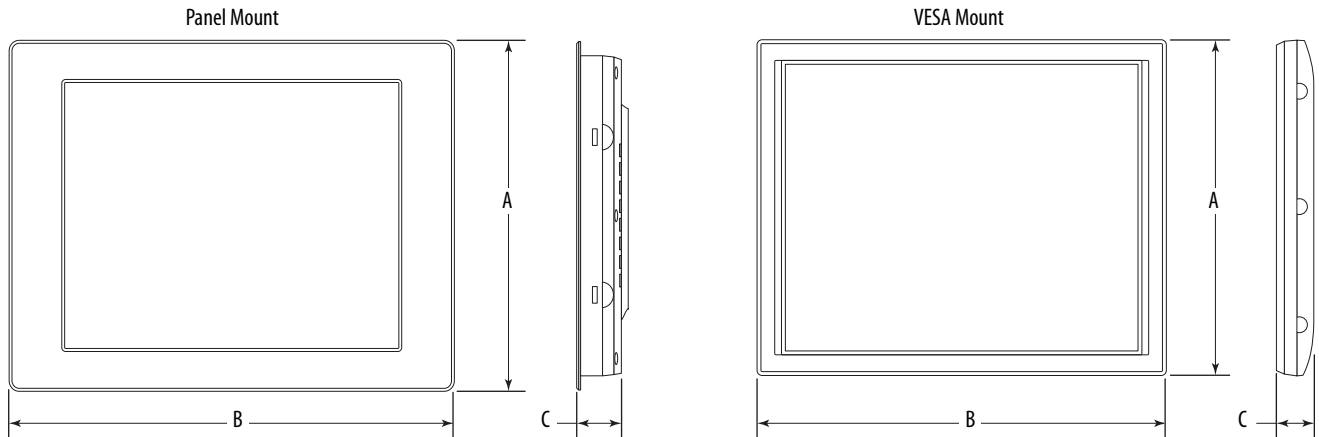


Table 37 - Monitor and Cutout Dimensions

6176M Model	All dimensions are in mm (in.)				
	Height A	Width B	Depth C	Cutout Height	Cutout Width
1550M					
Panel mount	309 (12.3)	410 (16.1)	50 (2)	285.6 (11.24)	386.6 (15.22)
VESA mount	282.6 (11)	383.6 (15)		—	—
1750M					
Panel mount	356 (14)	452 (17.8)	53 (2.1)	329.5 (12.97)	424 (16.69)
VESA mount	326.5 (12.9)	421 (16.6)		—	—
1950M					
Panel mount	399.3 (15.7)	482.6 (19)	58 (2.3)	363.5 (14.31)	449.6 (17.7)
VESA mount	357 (14.1)	444 (17.5)		—	—

HMI Software

The Allen-Bradley industrial computers support the full suite of Rockwell Software solutions, including Integrated Architecture and FactoryTalk View software. Combine this hardware and software to help assure comprehensive application support from an industry leader.

FactoryTalk View performance and visibility HMI software are designed with a common look, feel, and navigation to help speed HMI development and training time. The visualization strategy combines Rockwell Automation expertise in industrialized personal computer hardware with Rockwell Software supervisory control software.

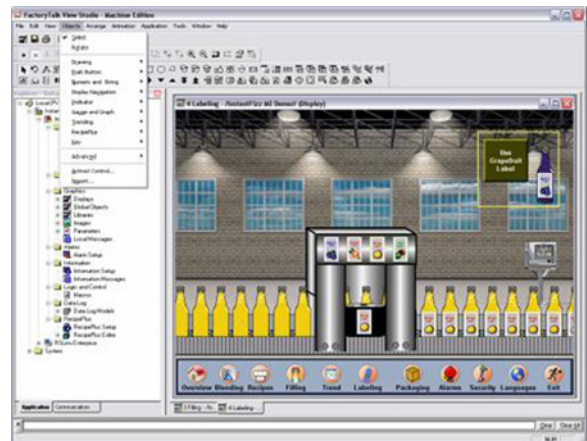
For a complete list of available HMI software, visit <http://www.rockwellautomation.com/rockwellsoftware>.

FactoryTalk View Machine Edition Software

FactoryTalk View Machine Edition (ME) software supports both open and embedded operator interface solutions for monitoring and controlling individual machines or small processes. This software features a consistent operator interface across multiple platforms, including Microsoft Windows 10, 8.1, 8, 7, Server, and Embedded Compact solutions. FactoryTalk View ME software consists of a design and runtime environment.

FactoryTalk View Studio Software

FactoryTalk View Studio software is the design environment to create and test HMI applications, including graphic displays, trends, alarms, and real time animation. Runtime files can be generated to run on a PanelView™ Plus terminal or industrial computer.



FactoryTalk View ME Station

FactoryTalk View ME Station is the runtime environment for HMI applications. FactoryTalk View ME Station is automatically installed and activated on PanelView Plus terminals. FactoryTalk View ME activation is required when running HMI applications on industrial computers.

FactoryTalk View ME offers many advantages:

- Alarms to alert operators to conditions that require immediate action
- Security to restrict operator access to specific displays
- RecipePlus for machine or process recipe management
- Display text supports up to 20 languages per application, so operators can switch language at runtime
- Global and predefined objects are time and memory savers
- Studio 5000® and Logix Designer process faceplates
- Ability to convert runtime application to design application
- Transfer parameters for reuse in displays and design efficiency

FactoryTalk View Site Edition Software

FactoryTalk View Site Edition (SE) software is used to develop and run supervisory-level monitoring and to control HMI applications. Its architecture is scalable to a wide range of applications, from standalone, one-server/one-client applications to multi-server/multi-client applications. Runtime servers and clients are supported for customers to develop and deploy a multi-server/multi-client application.

FactoryTalk View SE applications are created and tested within the FactoryTalk View Studio design environment:

- Share data and seamless integration with other FactoryTalk enabled products. The FactoryTalk Services Platform provides common services, such as security, alarms, and diagnostics across products.
- Optimize plant communication with FactoryTalk Live Data and premier connectivity to Allen-Bradley controllers.
- Access tag information directly in the controller to eliminate HMI tags.
- Configure an application from anywhere on the network to change a running system with a remote, multi-user configuration capability.
- Define graphic displays once and reference them throughout a distributed system.
- Provide an audit trail of operator and alarm information in a centralized log database.
- Customize the operator experience by using client-side VBA and the exposed graphics object model.



FactoryTalk View Studio Enterprise Software

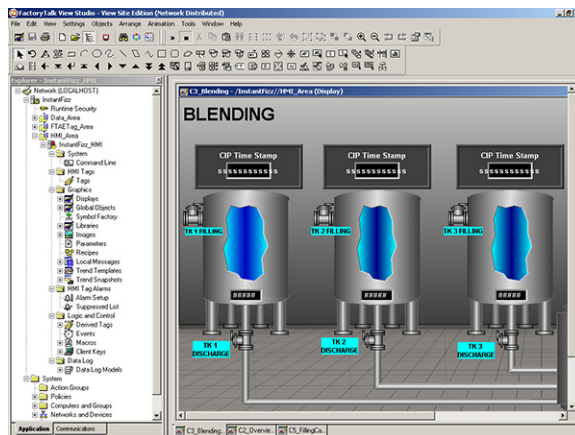
FactoryTalk View Studio Enterprise software is a design environment where you can create applications in both FactoryTalk View ME and FactoryTalk View SE software. The ability to edit and reuse projects in FactoryTalk View Studio improves portability between embedded machine and supervisory HMI systems.

With FactoryTalk View software, all products in the suite are built on the same integrated, scalable architecture. Application developers can import entire machine-level applications into supervisory-level applications or drag individual components and drop them right into supervisory projects, which saves development time and reduces engineering and training costs.

Plus, help protect your current HMI investments by importing PanelBuilder[®]32 (PanelView[™]) applications into FactoryTalk View ME software and RSVIEW[®]32 applications into FactoryTalk View SE software.

With FactoryTalk View Studio software, you can do the following:

- Configure one operator station or an entire distributed application from one location.
- Access tags from OPC servers throughout the system via a tag browser that presents direct controller tags and HMI tags in a logical hierarchy.
- Remotely configure RSLinx[®] and FactoryTalk View SE servers.
- Create displays by using a full-featured graphics editor.
- Define display text in multiple languages, so operators can switch language at runtime.
- Use pre-engineered faceplates to interface with the process control functions in the Logix controllers.



FactoryTalk ViewPoint Software

An add-on to FactoryTalk View SE software and PanelView Plus 6 or 7 terminals, FactoryTalk ViewPoint software provides on-demand access to important information about your plant or process from a web browser. Plant managers, supervisors, OEMs, system integrators, and other key stakeholders can now access, monitor, and interact with plant floor operations from virtually any location. The thin-client configuration means no client software to install and maintain, which lowers total cost of ownership:

- Fully scalable, animated web applications viewable in the office, at home, or on the road.
- Gives managers, OEMs, and system integrators read and write capability to both view and control real time plant floor operations by logging in to an Internet browser.
- Provides read and write capabilities to monitor operations.
- Gain fast access to real time information with a standard web browser.
- Supports multiple browsers and client devices for increased flexibility.
- Lets FactoryTalk View projects be web-enabled without any necessary application changes.
- Monitor and control HMI applications, perform diagnostics, and provide remote support.



Software Comparison

Table 38 - Software Technology

Customer Requirements	FactoryTalk View Site Edition (SE)	FactoryTalk View Machine Edition (ME)	RSView32
Operating systems (32 bit) ⁽¹⁾	<ul style="list-style-type: none"> • Windows 10 IoT Enterprise • Windows 10 Professional⁽²⁾ • Windows 8.1 Professional • Windows 8.1 Enterprise • Windows 8 Professional • Windows 8 Enterprise • Windows 7 Professional SP1 • Windows 7 Enterprise SP1 • Windows Server 2008 Standard SP2 		<ul style="list-style-type: none"> • Windows 7 Professional • Windows Server 2008 Standard SP2 • Windows Server 2000 SP4 • Windows 2000 Professional SP4
Operating systems (64 bit) ⁽¹⁾	<ul style="list-style-type: none"> • Windows 10 IoT Enterprise • Windows 10 Professional⁽²⁾ • Windows 8.1 Professional • Windows 8.1 Enterprise • Windows 8 Professional • Windows 8 Enterprise • Windows 7 Professional SP1 • Windows 7 Enterprise SP1 • Windows 7 Ultimate SP1 • Windows Server 2012 Standard • Windows Server 2012 R2 Standard • Windows Server 2008 R2 Standard SP1 • Windows Server 2008 R2 Enterprise SP1 • Windows Server 2008 Standard SP2 		
Embedded platforms		√	
Windows domain security	√	√	√
OPC/ActiveX	√	√	√
FactoryTalk enabled	√	√	
Server-side VBA			√
Client-side VBA	√		

(1) Windows Vista, Windows XP Professional, and Windows Server 2003 are not longer supported with FactoryTalk View versions 8.20 or later.
 (2) Supports Windows 10 Professional versions 1511 and 1607.

Table 39 - Software Architecture

Customer Requirements	FactoryTalk View SE		FactoryTalk View ME	RSView32
Primary application	Supervisory level: single station up to multiple server, multiple client		Machine level: single station	Supervisory level; single station up to single server, multiple client
Tag-based HMI	√		√	√
Direct reference capability	√		√	
	Network (Distributed)	Local		
Max Number of servers/clients	10/50			1/20
FactoryTalk ViewPoint	√	√	√ ⁽¹⁾	
RSView32 WebServer				√
Thin clients (terminal services)	√			√
Multi-user development	√			
Remote configuration at runtime	√			
Redundancy - data server	√			
Redundancy - HMI server	√			Active display

(1) Supported only on PanelView Plus 6 and PanelView Plus 7 terminals.

Table 40 - Software Features

Customer Requirements	FactoryTalk View SE	FactoryTalk View ME	RSView32
Animation - visibility, color, fill, horizontal and vertical position, width, height, rotation, horizontal and vertical slider, and more	And touch	No touch animation	And touch
Alarms	<ul style="list-style-type: none"> FactoryTalk alarms and events HMI alarms Digital and analog Defined alarm severities Alarm log 	<ul style="list-style-type: none"> Tag-based (from controller) Alarm log 	<ul style="list-style-type: none"> Tag-based Digital and analog Definable alarm severities Alarm log
Data logging	<ul style="list-style-type: none"> 20 data log models per project Each with up to 10,000 tags Log to ODBC or proprietary database 	<ul style="list-style-type: none"> 1 data log model per project With up to 100 tags 1,000K records max Export to dbf 	<ul style="list-style-type: none"> 20 plus data log models per project Each with up to 10,000 tags Log to ODBC or proprietary database
Recipe version	Basic recipe functionality with RecipePro+	Recipe+	RecipePro extension
Trend version	<ul style="list-style-type: none"> TrendX 4.0 Trend Pro 9.0 	TrendX 4.0 subset	TrendX 3.1 and native
Security	<ul style="list-style-type: none"> Assigned to tags, graphic displays, macros, commands, OLE objects Local or Windows security 	<ul style="list-style-type: none"> Display-based Local or Windows security 	<ul style="list-style-type: none"> Assigned to tags, graphic displays, macros, commands, OLE objects Local or Windows security
Other features	<ul style="list-style-type: none"> Test run macros Derived tags Event detector 	<ul style="list-style-type: none"> Test run macros Derived tags S/B test run macros-derived tags 	<ul style="list-style-type: none"> Test run macros Derived tags Event detector
Price model	<ul style="list-style-type: none"> Display-based Multiple levels 	<ul style="list-style-type: none"> Included with PanelView Plus 7 or display-based Multiple levels for FactoryTalk View ME Station 	<ul style="list-style-type: none"> Tag-based Multiple levels

Table 41 - FactoryTalk View Site Edition (SE) Software

Installation Type	Software Installed	Hardware Requirements (min)
Operator workstation	FactoryTalk View SE Client or FactoryTalk View SE Station	<ul style="list-style-type: none"> Intel Core 2 Duo 2 GB memory
Engineering workstation	<ul style="list-style-type: none"> FactoryTalk View Studio Enterprise RSLinx® Classic RSLinx Enterprise Studio 5000 	<ul style="list-style-type: none"> Intel Core 2 Duo 4 GB memory
Application server	<ul style="list-style-type: none"> FactoryTalk View SE Server FactoryTalk View Studio Enterprise FactoryTalk View Alarms and Tags based Server RSLinx Enterprise Data Server with FactoryTalk alarms and events enabled 	<p>Smaller system:</p> <ul style="list-style-type: none"> Intel Core 2 Duo 2 GB memory <p>Medium to larger systems:</p> <ul style="list-style-type: none"> Quad core Intel Xeon 4 GB memory

Table 42 - FactoryTalk View SE Software

Media Cat. No.	Electronic Download Cat. No.	Description ⁽¹⁾
To choose your preferred language, replace the xx in the catalog number with EN for English, DE for German, FR for French, JP for Japanese, or ZH for Chinese.		
9701-VWSTxxM	9701-VWSTxxE	FactoryTalk View Studio for FactoryTalk View Enterprise - configuration software to develop and test machine level and supervisory level HMI applications
9701-VWSCWAxxM	9701-VWSCWAxxE	FactoryTalk View SE Client - software to view and interact with FactoryTalk View SE Servers ⁽²⁾
9701-VWSCRAxxM	9701-VWSCRAxxE	FactoryTalk View SE View Client - provides read-only capabilities
9701-VWSB015AxxM	9701-VWSB015AxxE	FactoryTalk View SE Station 15 display
9701-VWSB025AxxM	9701-VWSB025AxxE	FactoryTalk View SE Station 25 display
9701-VWSB100AxxM	9701-VWSB100AxxE	FactoryTalk View SE Station 100 display
9701-VWSB250AxxM	9701-VWSB250AxxE	FactoryTalk View SE Station 250 display
9701-VWSB000AxxM	9701-VWSB000AxxE	FactoryTalk View SE Station unlimited display
9701-VWSS025LxxM	9701-VWSS025LxxE	FactoryTalk View SE Server 25 display with RSLinx Enterprise
9701-VWSS100LxxM	9701-VWSS100LxxE	FactoryTalk View SE Server 100 display with RSLinx Enterprise
9701-VWSS250LxxM	9701-VWSS250LxxE	FactoryTalk View SE Server 250 display with RSLinx Enterprise
9701-VWSS000LxxM	9701-VWSS000LxxE	FactoryTalk View SE Server unlimited display with RSLinx Enterprise

(1) FactoryTalk View Station and FactoryTalk View SE Server include RSLinx Enterprise and RSLinx Classic software, version 3.70.

(2) FactoryTalk View SE Server stores HMI project components and serves to clients, for example, graphic displays.

Table 43 - FactoryTalk ViewPoint Software

Media Cat. No. ⁽¹⁾	Electronic Download Cat. No.	Description ⁽²⁾
9522-VWP01REN	9522-VWP01RENE	FactoryTalk ViewPoint 1-client system
9522-VWP03REN	9522-VWP03RENE	FactoryTalk ViewPoint 3-client system
9522-VWP05REN	9522-VWP05RENE	FactoryTalk ViewPoint 5-client system
9522-VWP10REN	9522-VWP10RENE	FactoryTalk ViewPoint 10-client system
9522-VWP25REN	9522-VWP25RENE	FactoryTalk ViewPoint 25-client system
9522-VWP50REN	9522-VWP50RENE	FactoryTalk ViewPoint 50-client system

(1) Order any of these catalog numbers to use FactoryTalk ViewPoint software with FactoryTalk View SE network or local applications.

(2) FactoryTalk ViewPoint server and one client access license are included with the purchase of a PanelView Plus 6 or PanelView Plus 7 terminal. No other catalog numbers are required to use FactoryTalk ViewPoint software with PanelView Plus 6 or PanelView Plus 7 terminals.

Table 44 - FactoryTalk View Machine Edition (ME) Software

Media Cat. No.	Electronic Download Cat. No.	Description
To choose your preferred language, replace the xx in the catalog number with EN for English, DE for German, FR for French, JP for Japanese, or ZH for Chinese.		
9701-VWSTMxxM	9701-VWSTMxxE	FactoryTalk View Studio for Machine Edition - configuration software to develop and test machine level HMI applications. FactoryTalk View Machine Edition includes RSLinx Enterprise and KEPServer Enterprise software.

Table 45 - FactoryTalk View ME Station

Media Cat. No.	Electronic Download Cat. No.	Description ^{(1) (2)}
To choose your preferred language, replace the xx in the catalog number with EN for English, DE for German, FR for French, JP for Japanese, or ZH for Chinese.		
9701-VWMR015AxxM	9701-VWMR015AxxE	FactoryTalk View ME Station Runtime 15 displays
9701-VWMR030AxxM	9701-VWMR030AxxE	FactoryTalk View ME Station Runtime 30 displays
9701-VWMR075AxxM	9701-VWMR075AxxE	FactoryTalk View ME Station Runtime 75 displays
9701-VWMR250AxxM	9701-VWMR250AxxE	FactoryTalk View ME Station Runtime 250 displays
9701-VWMR500AxxM	9701-VWMR500AxxE	FactoryTalk View ME Station Runtime 500 displays

(1) FactoryTalk View Machine Edition Station is the runtime environment where FactoryTalk View ME projects created with FactoryTalk View Studio software are run on any computer with a Windows operating system. See [page 36](#) for the available Windows operating systems.

(2) FactoryTalk View ME Station runtime is included with all PanelView Plus 6 or PanelView Plus 7 terminals.

Table 46 - RSView32 Software

Media Cat. No.	Electronic Download Cat. No.	Description ⁽¹⁾
9301-2SE3104M	9301-2SE3104E	RSView32 Runtime 150 with RSLinx Classic single node
9301-2SE3103M	9301-2SE3103E	RSView32 Runtime 150 with RSLinx Classic bundle, which includes 9301-2SE3100 RSView32 Runtime 150 and 9355-WABSNENE RSLinx Classic single node
9301-2SE3100M	9301-2SE3100E	RSView32 Runtime 150 - 150 tag database and standalone runtime
9301-2SE2104M	9301-2SE2104E	RSView32 Works 150 with RSLinx Classic single node
9301-2SE2103M	9301-2SE2103E	RSView32 Works 150 with RSLinx Classic bundle, which includes 9301-2SE2100 RSView32 Works 150 and 9355-WABSNENE RSLinx Classic single node
9301-2SE2100M	9301-2SE2100E	RSView32 Works 150 - 150 tag database that includes development and one embedded runtime
9301-2SE3204M	9301-2SE3204E	RSView32 Runtime 300 with RSLinx Classic single node
9301-2SE3203M	9301-2SE3203E	RSView32 Runtime 300 with RSLinx Classic bundle, which includes 9301-2SE3203 RSView32 runtime 300 and 9355-WABSNENE RSLinx Classic single node
9301-2SE3200M	9301-2SE3200E	RSView32 Runtime 300 - 300 tag database and standalone runtime
9301-2SE2204M	9301-2SE2204E	RSView32 Works 300 with RSLinx Classic single node
9301-2SE2203M	9301-2SE2203E	RSView32 Works 300 with RSLinx Classic bundle, which includes 9301-2SE2200 RSView32 Works 300 and 9355-WABSNENE RSLinx Classic single node
9301-2SE2200M	9301-2SE2200E	RSView32 Works 300 - 300 tag database that includes development and one embedded runtime
9301-2SE3304M	9301-2SE3304E	RSView32 Runtime 1500 with RSLinx Classic single node
9301-2SE3303M	9301-2SE3303E	RSView32 Runtime 1500 with RSLinx Classic bundle, which includes 9301-2SE3300 RSView32 runtime 1500 and 9355-WABSNENE RSLinx Classic single node
9301-2SE3300M	9301-2SE3300E	RSView32 Runtime 1500 - 1500 tag database and standalone runtime
9301-2SE2304M	9301-2SE2304E	RSView32 Works 1500 with RSLinx Classic single node
9301-2SE2303M	9301-2SE2303E	RSView32 Works 1500 with RSLinx Classic bundle, which includes 9301-2SE2300 RSView32 Works 1500 and 9355-WABSNENE RSLinx Classic single node
9301-2SE2300M	9301-2SE2300E	RSView32 Works 1500 - 1500 tag database that includes development and one embedded runtime
9301-2SE3353M	9301-2SE3353E	RSView32 Runtime 5000 with RSLinx Classic bundle, which includes 9301-2SE3500 RSView32 runtime 5000 and 9355-WABSNENE RSLinx Classic single node
9301-2SE3350M	9301-2SE3350E	RSView32 Runtime 5000 - 5000 tag database and standalone runtime
9301-2SE2353M	9301-2SE2353E	RSView32 Works 5000 with RSLinx Classic bundle, which includes 9301-2SE2350 RSView32 Works 5000 and 9355-WABSNENE RSLinx Classic single node
9301-2SE2350M	9301-2SE2350E	RSView32 Works 5000 - 5000 tag database that includes development and one embedded runtime
9301-2SE3403M	9301-2SE3403E	RSView32 Runtime 32K with RSLinx Classic bundle, which includes 9301-2SE3400 RSView32 runtime 2K and 9355-WABSNENE RSLinx Classic single node
9301-2SE3400M	9301-2SE3400E	RSView32 Runtime 32K - 32,000 tag database and standalone runtime
9301-2SE2403M	9301-2SE2403E	RSView32 Works 32K with RSLinx Classic bundle, which includes 9301-2SE2400 RSView32 Works 32K and 9355-WABSNENE RSLinx Classic single node
9301-2SE2400M	9301-2SE2400E	RSView32 Works 32K - 32,000 tag database that includes development and one embedded runtime
9301-2SE3503M	9301-2SE3503E	RSView32 Runtime 100K with RSLinx Classic bundle, which includes 9301-2SE3500 RSView32 runtime 100K and 9355-WABSNENE RSLinx Classic single node
9301-2SE3500M	9301-2SE3500E	RSView32 Runtime 100K - 100,000 tag database and standalone runtime
9301-2SE2503M	9301-2SE2503E	RSView32 Works 100K with RSLinx Classic bundle, which includes 9301-2SE2500 RSView32 Works 100K and 9355-WABSNENE RSLinx Classic single node
9301-2SE2500M	9301-2SE2500E	RSView32 Works 100K - 100,000 tag database that includes development and one embedded runtime
9301-RSVWSENM	9301-RSVWSENE	RSView32 WebServer
9301-MSGRPROENM	9301-MSGRPROENE	RSView32 Messenger Pro

(1) Monitors, controls, and acquires data.

Table 47 - RSView32 Active Display System

Media Cat. No.	Electronic Download Cat. No.	Description ⁽¹⁾
9305-RSVADSENM	9305-RSVADSENE	RSView32 Active Display Server™ that includes one active display server (no clients)
9305-ADSGWENM	9305-ADSGWENE	RSView32 Active Display Server with FactoryTalk Gateway, which includes one active display server (no clients) and 9355-WABGWENE RSLinx Classic Gateway
9305-RSVADFCENM	9305-RSVADFCENE	RSView32 Active Display Floating Client that includes one client with server-side activation
9305-RSVADDCENM	9305-RSVADDCENE	RSView32 Active Display Dedicated Client that includes one client with client-side activation
9305-RSVADFCENM	9305-RSVADFCENE	RSView32 Active Display Floating View Client that includes one view-only client with server-side activation

(1) Client/Server Enhancement to RSView32.

Table 48 - RSView32 Languages

Media Cat. No.	Electronic Download Cat. No.	Description
To choose your preferred language, replace the xx in the catalog number with DE for German, ES for Spanish, FR for French, IT for Italian, JP for Japanese, KO for Korean, PT for Portuguese, and ZH for Chinese.		
9301-2SE2500xxM	9301-2SE2500xxE	RSView32 Works 100K
9301-2SE2503xxM	9301-2SE2503xxE	RSView32 Works 100K with RSLinx Classic OEM
9301-2SE3500xxM	9301-2SE3500xxE	RSView32 Runtime 100K
9301-2SE3503xxM	9301-2SE3503xxE	RSView32 Runtime 100K with RSLinx Classic OEM

Table 49 - Third-party Connectivity

Media Cat. No.	Electronic Download Cat. No.	Description
9301-OPCSRVENM	9301-OPCSRVENE	KEPServer Enterprise for RSView32, FactoryTalk View Site Edition, and FactoryTalk View Machine Edition

Additional Resources

These documents contain more information about related products from Rockwell Automation.

Resource	Description
Visualization Solutions Selection Guide, VIEW-SG001	Provides an overview of the visualization products, which includes catalog number selections offered by Rockwell Automation.
VersaView 5000 Thin Clients and Industrial Computers User Manual, 6200-UM001	Provides information to install, make connections, operate, and troubleshoot VersaView Thin Clients, and integrated display and non-display industrial computers.
Integrated Display Industrial Computers User Manual, publication 6181P-UM003	Provides information to install, make connections, operate, and troubleshoot the 6181P integrated display and non-display computers with hard disk drives.
Integrated Display Industrial Computers User Manual, publication 6181P-UM004	Provides information to install, make connections, operate, and troubleshoot the 6181P integrated display and non-display computers with solid-state drives.
Industrial Computers for Hazardous Locations User Manual, publication 6181X-UM001	Provides information and guidelines to install, make connections, operate, and troubleshoot the 6181X integrated display and non-display computers in hazardous locations and extreme temperature environments.
Non-display Industrial Computers User Manual, publication 6177R-UM002	Provides information to install, make connections, operate, and troubleshoot the 750R and 1450R non-display industrial computers.
VersaView 5100 Industrial Monitors User Manual, publication 6200M-UM001	Provides information to install, mount, and troubleshoot VersaView 5100 industrial monitors.
6186M Performance Monitors User Manual, publication 6186M-UM002	Provides information to install and mount the monitors, configure video setup, and troubleshoot the 6186M monitors.
6176M Standard Monitors User Manual, publication 6176M-UM001	Provides information to install and mount the monitors, configure video setup, and troubleshoot the 6176M monitors.
Cloning Utility Technical Data, publication 6000-TD002	Provides information to create and restore a backup image of your computer's hard disk drive.
Diagnostic Utility for Industrial Computers, publication 6000-TG001	Provides information to diagnose hardware issues with industrial computers.
EFW and HORM Configuration Utility Technical Data, publication 6000-TD003	Provides information to configure Enhanced Write Filter (EFW) and Hibernate Once, Restore Many (HORM) features for computers with the Windows Embedded Standard 2009 operating system.

You can view or download publications at <https://www.rockwellautomation.com/global/literature-library/overview.page>. To order paper copies of technical documentation, contact your local Allen-Bradley distributor or Rockwell Automation sales representative.

Rockwell Automation Support

Use the following resources to access support information.

Technical Support Center	Knowledgebase Articles, How-to Videos, FAQs, Chat, User Forums, and Product Notification Updates.	www.rockwellautomation.com/knowledgebase
Local Technical Support Phone Numbers	Locate the phone number for your country.	www.rockwellautomation.com/global/support/get-support-now.page
Direct Dial Codes	Find the Direct Dial Code for your product. Use the code to route your call directly to a technical support engineer.	www.rockwellautomation.com/global/support/direct-dial.page
Literature Library	Installation Instructions, Manuals, Brochures, and Technical Data.	https://www.rockwellautomation.com/global/literature-library/overview.page
Product Compatibility and Download Center (PCDC)	Get help determining how products interact, check features and capabilities, and find associated firmware.	www.rockwellautomation.com/global/support/pcdc.page

Documentation Feedback

Your comments will help us serve your documentation needs better. If you have any suggestions on how to improve this document, complete the How Are We Doing? form at http://literature.rockwellautomation.com/idc/groups/literature/documents/du/ra-du002_-en-e.pdf.

Rockwell Automation maintains current product environmental information on its website at <http://www.rockwellautomation.com/rockwellautomation/about-us/sustainability-ethics/product-environmental-compliance.page>.

Allen-Bradley, FactoryTalk, Integrated Architecture, PanelBuilder, PanelView, RSLinx, Rockwell Automation, Rockwell Software, VersaView, and LISTEN. THINK. SOLVE are trademarks of Rockwell Automation, Inc. Trademarks not belonging to Rockwell Automation are property of their respective companies.

Rockwell Otomasyon Ticaret A.Ş., Kar Plaza İş Merkezi E Blok Kat:6 34752 İçerenköy, İstanbul, Tel: +90 (216) 5698400

www.rockwellautomation.com

Power, Control and Information Solutions Headquarters

Americas: Rockwell Automation, 1201 South Second Street, Milwaukee, WI 53204-2496 USA, Tel: (1) 414.382.2000, Fax: (1) 414.382.4444
 Europe/Middle East/Africa: Rockwell Automation NV, Pegasus Park, De Kleetlaan 12a, 1831 Diegem, Belgium, Tel: (32) 2 663 0600, Fax: (32) 2 663 0640
 Asia Pacific: Rockwell Automation, Level 14, Core F, Cyberport 3, 100 Cyberport Road, Hong Kong, Tel: (852) 2887 4788, Fax: (852) 2508 1846