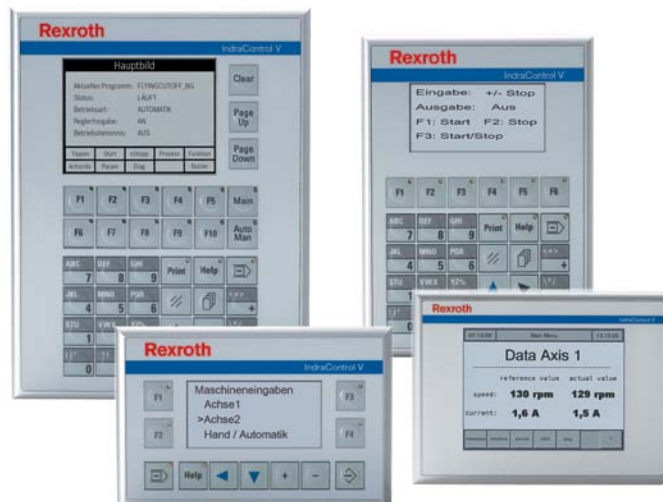


Compact operator panels

3 - 3.8" display

IndraControl VCP 02, 05, 08, 11



Compact operator panels

3 - 3.8" display ■ IndraControl VCP 02, 05, 08, 11

Documentation



Technical data

| | VCP 02.2 | VCP 05.2 | VCP 08.2 | VCP 11.2 | VCP 11.2T |
|---------------------------------------|--------------------------------|----------|------------------|--------------|---------------|
| Processor | | | | | |
| CPU | RISC ARM9 200MHz | | | | |
| Memory | | | | | |
| Use / application | 3 MB | | | | |
| Flash size | 16 MB | | | | |
| Slot | 1 | | | | |
| Display | | | | | |
| Type | FSTN | | | | TFT |
| | Text-oriented | | Graphic-oriented | | |
| Size | 7.6 cm (3") | | 9.7 cm (3.8") | | 8.9 cm (3.5") |
| Colors/gray scales | 5 | | | | 256 |
| | Gray tones | | | | Colors |
| Resolution | 160 x 80 | | 480 x 272 | | |
| Operation | | | | | |
| Type | Function keys | | | Touch screen | |
| Function keys | 4 | 6 | 15 | 0 | |
| ... of which with LED | 4 | 6 | 12 | 0 | |
| System keys | 7 | 24 | | 0 | |
| ... of which with LED | 2 | 3 | | 0 | |
| Interfaces | | | | | |
| Ethernet | 1 x Ethernet TCP/IP (Standard) | | | | |
| USB | 2 x USB-Host (Standard) | | | | |
| Serial | RS232/RS485 (Option) | | | | |
| Fieldbus | | | | | |
| PROFIBUS | 1 x PROFIBUS DP-Slave (Option) | | | | |
| Electrical data | | | | | |
| Power supply U | 24 V DC | | | | |
| U _{min} ... U _{max} | 19 V DC ... 30 V DC | | | | |
| Power consumption | 6 W | | | | 4,8 W |

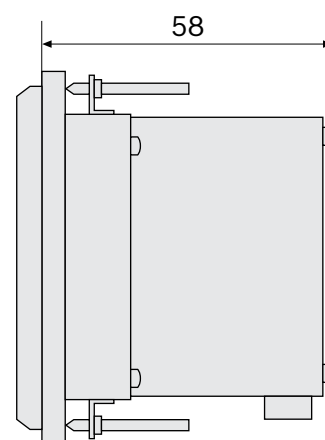
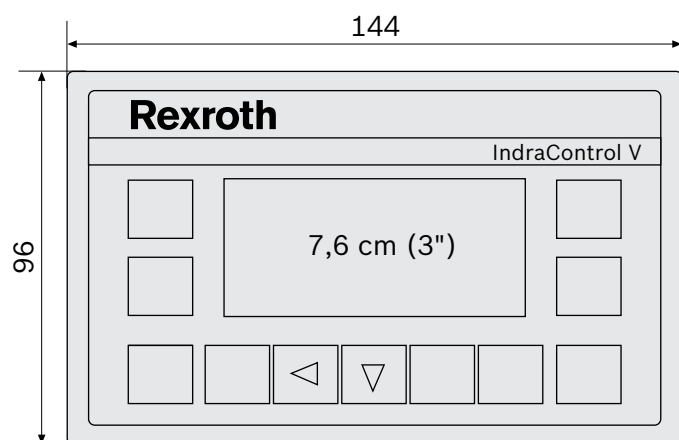
Compact operator panels

3 - 3.8" display ■ IndraControl VCP 02, 05, 08, 11

| Protection | | | |
|-------------------------------------|------------------------|--------|--------|
| Degree of protection front | IP65 | | |
| Degree of protection rear | IP20 | | |
| Environmental conditions | | | |
| Permissible temperature (operation) | +5 °C ... +45 °C | | |
| Permissible humidity (operation) | 5% ... 85%, EN 61131-2 | | |
| Weight | | | |
| Weight | 0,5 kg | 0,8 kg | 0,5 kg |

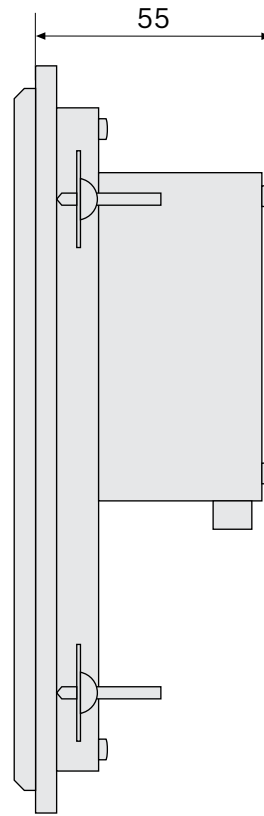
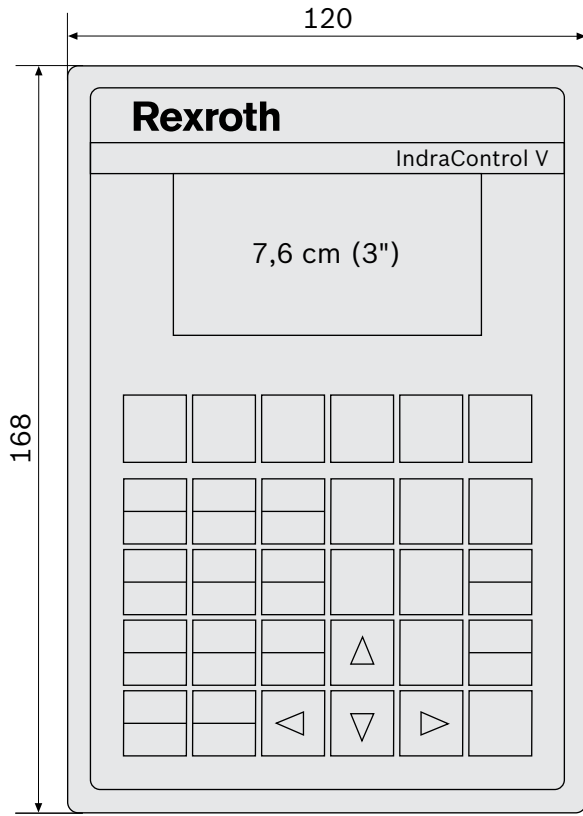
Dimensions

| | | VCP 02.2 | VCP 05.2 | VCP 08.2 | VCP 11.2 | VCP 11.2T |
|---------------|----------|----------|----------|----------|----------|-----------|
| Dimensions | | | | | | |
| Height H | [mm] | 96 | 168 | 205 | 96 | 96 |
| Width B | [mm] | 144 | 120 | 155 | 130 | 130 |
| Length T | [mm] | 58 | 55 | 55 | 55 | 58 |
| Screen size X | [mm / "] | 76 / 3 | 76 / 3 | 97 / 3,8 | 97 / 3,8 | 89 / 3,5 |



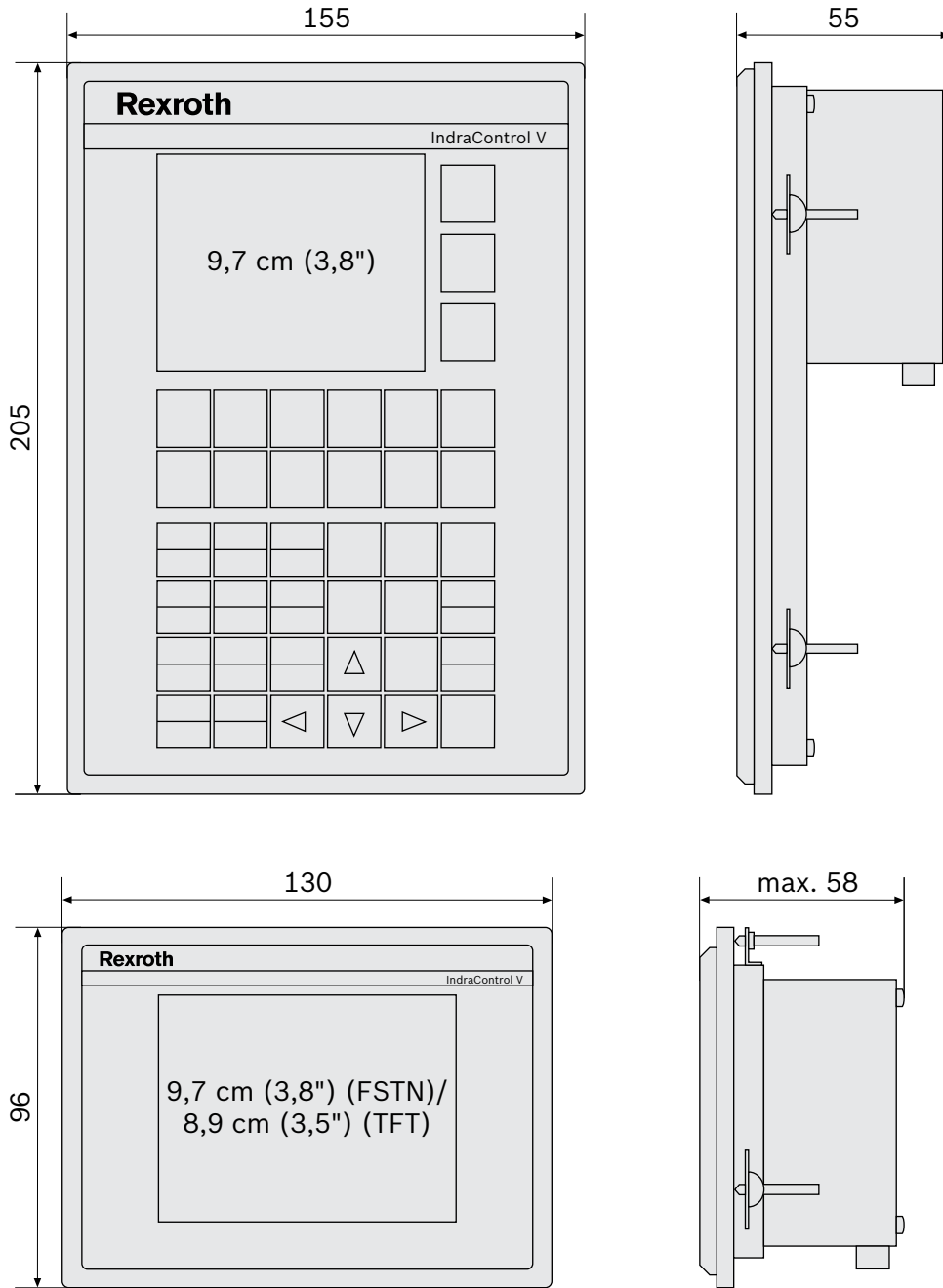
Compact operator panels

3 - 3.8" display ■ IndraControl VCP 02, 05, 08, 11



Compact operator panels

3 - 3.8" display ■ IndraControl VCP 02, 05, 08, 11



Ordering information

| Type code | Description | Material number: |
|-------------------------|---------------------|------------------|
| VCP02.2DRN-003-NN-NN-PW | IndraControl VCP 02 | R911311488 |



Compact operator panels

3 - 3.8" display ■ IndraControl VCP 02, 05, 08, 11

| Type code | Description | Material number: |
|-------------------------|--|------------------|
| VCP02.2DRN-003-SR-NN-PW | IndraControl VCP 02 with serial interfaces | R911311490 |
| VCP02.2DRN-003-PB-NN-PW | IndraControl VCP 02 with PROFIBUS DP slave | R911311491 |

| Type code | Description | Material number: |
|-------------------------|--|------------------|
| VCP05.2DSN-003-NN-NN-PW | IndraControl VCP 05 | R911311493 |
| VCP05.2DSN-003-SR-NN-PW | IndraControl VCP 05 with serial interfaces | R911311494 |
| VCP05.2DSN-003-PB-NN-PW | IndraControl VCP 05 with PROFIBUS DP slave | R911311495 |

| Type code | Description | Material number: |
|-------------------------|--|------------------|
| VCP08.2DTN-003-NN-NN-PW | IndraControl VCP 08 | R911311497 |
| VCP08.2DTN-003-SR-NN-PW | IndraControl VCP 08 with serial interfaces | R911311498 |
| VCP08.2DTN-003-PB-NN-PW | IndraControl VCP 08 with PROFIBUS DP slave | R911311499 |

| Type code | Description | Material number: |
|-------------------------|--|------------------|
| VCP11.2DWN-003-NN-NN-PW | IndraControl VCP 11 | R911311509 |
| VCP11.2DWN-003-SR-NN-PW | IndraControl VCP 11 with serial interfaces | R911311510 |
| VCP11.2DWN-003-PB-NN-PW | IndraControl VCP 11 with PROFIBUS DP slave | R911311511 |

| Type code | Description | Material number: |
|-------------------------|--|------------------|
| VCP11.2ECN-003-NN-NN-PW | IndraControl VCP 11 (TFT) | R911171031 |
| VCP11.2ECN-003-PB-NN-PW | IndraControl VCP 11 (TFT) with PROFIBUS DP slave | R911170996 |

Accessories

| Type code | Description | Material number: |
|--------------------|-------------|------------------|
| VAS04.1-001-002-NN | Battery kit | R911316662 |

Documentation

| Type code | Description | Material number: |
|----------------------------------|--------------------------|------------------|
| DOK-SUPPL*-VCP*02.2***-PR02-DE-P | IndraControl VCP 02 (DE) | R911310374 |
| DOK-SUPPL*-VCP*02.2***-PR02-EN-P | IndraControl VCP 02 (EN) | R911310375 |
| DOK-SUPPL*-VCP*05.2***-PR02-DE-P | IndraControl VCP 05 (DE) | R911310376 |
| DOK-SUPPL*-VCP*05.2***-PR02-EN-P | IndraControl VCP 05 (EN) | R911310377 |
| DOK-SUPPL*-VCP*08.2***-PR02-DE-P | IndraControl VCP 08 (DE) | R911310378 |
| DOK-SUPPL*-VCP*08.2***-PR02-EN-P | IndraControl VCP 08 (EN) | R911310379 |
| DOK-SUPPL*-VCP*11.2***-PR03-DE-P | IndraControl VCP 11 (DE) | R911311480 |
| DOK-SUPPL*-VCP*11.2***-PR03-EN-P | IndraControl VCP 11 (EN) | R911311481 |

Accessories

Compact operator panels

3 - 3.8" display ■ IndraControl VCP 02, 05, 08, 11

Auxiliary components

| Description | | |
|-------------------|-------------|----------------------------|
| HMI/industrial PC | Accessories | IndraControl VAC, VAP, VAU |

Bosch Rexroth AG

Postfach 13 57
97803 Lohr, Germany
Bgm.-Dr.-Nebel-Str. 2
97816 Lohr, Germany
Tel. +49 9352 18-0
Fax +49 9352 18-8400
www.boschrexroth.com/electrics

Local contact information can be found at:

www.boschrexroth.com/adressen

The data specified above only serve to describe the product. As our products are constantly being further developed, no statements concerning a certain condition or suitability for a certain application can be derived from our information. The information given does not release the user from the obligation of own judgment and verification.

It must be remembered that our products are subject to a natural process of wear and aging.