

HMI/industrial PC

Manual operator panel IndraControl VCH 08



HMI/industrial PC

Manual operator panel ■ IndraControl VCH 08

Documentation

**Technical data**

	VCH 08.1
Processor	
CPU	PXA 270/416 MHz
Memory	
Use / application	64 MB
Flash size	64 MB
Display	
Type	STN
Size	9.7 cm (3.8")
Colors/gray scales	5
	Gray tones
Resolution	320 x 240
Operation	
Type	Keyboard operation
Function keys	15
... of which with LED	12
System keys	25
Operating keys	40
Detailed button information	
Accept keys	2
	2-circuit, 3-step
	Standard
Stop/emergency-off button	1
	2-circuit
	Standard
Handwheels	1
	Option
Override potentiometer	1
	Option
Electrical data	

HMI/industrial PC

Manual operator panel ■ IndraControl VCH 08

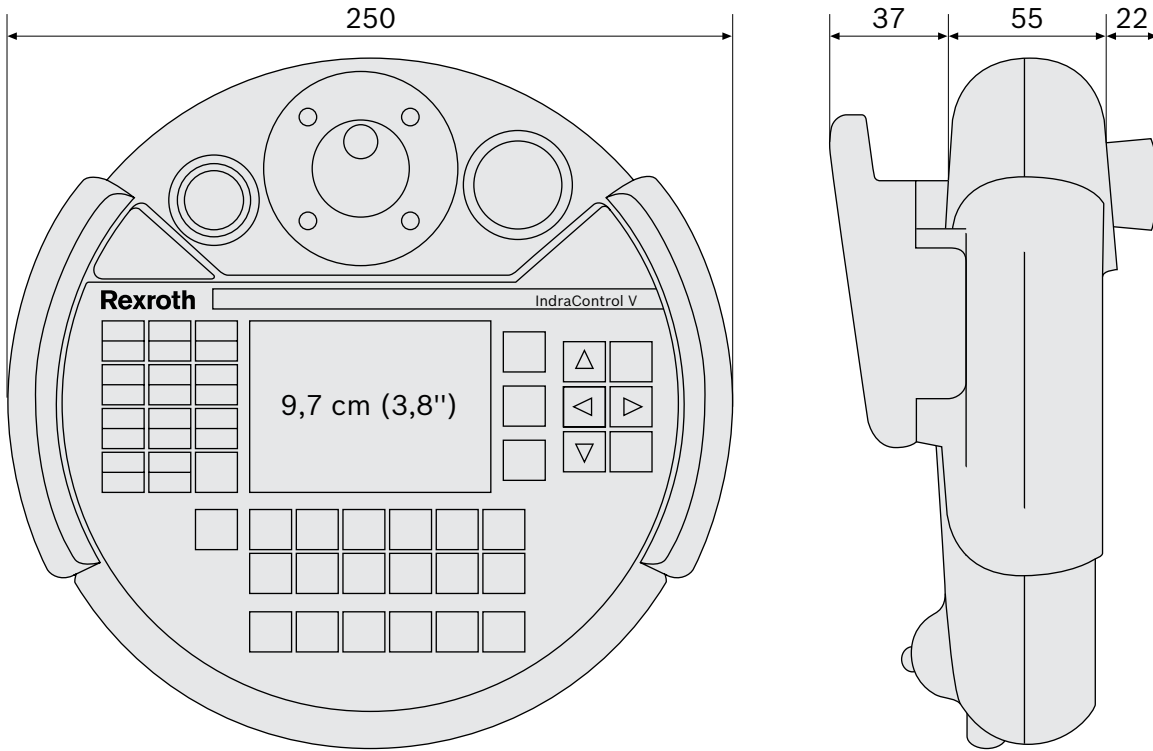
Power supply U	24 V DC
U _{min} ... U _{max}	19 V DC ... 30 V DC
Power consumption	4,8 W
Protection	
Protection category - overall	IP65
Miscellaneous	
Visualization	VI-Composer
Connecting cable	0,5 / 8 m
Environmental conditions	
Permissible temperature (operation)	+5 °C ... +45 °C
Permissible humidity (operation)	0% to 95%, EN 61131-2
Weight	
Weight	1,2 kg

Dimensions

		VCH 08.1
Dimensions		
Length T	[mm]	114
Diameter	[mm]	250
Knob diameter	[mm]	37
Screen size X	[mm / "]	97 / 3,8

HMI/industrial PC

Manual operator panel ■ IndraControl VCH 08



Ordering information

Type code	Description	Material number:
VCH08.1EAB-064ET-A1D-064-CS-E2-PW	IndraControl VCH 08 with stop button, handwheel (0.5 m Ethernet control cable)	R911171057
VCH08.1EAB-064ET-A1D-064-FS-B2-PW	IndraControl VCH 08 with emergency-off button (0.5 m Ethernet control cable)	R911172138
VCH08.1EAB-064ET-A1D-064-CS-E4-PW	IndraControl VCH 08 stop button (8 m Ethernet control cable)	R911171956
VCH08.1EAB-064ET-A1D-064-DS-E4-PW	IndraControl VCH 08 with stop button, handwheel (8 m Ethernet control cable)	R911171955

Type code	Description	Material number:
VAS01.1-002-NNN-NN	VAS 01 wall-mounted holder	R911170839
VAC31.1C-NN	Connection module for VxH with emergency-off button	R911171822
VAC30.2N-NN	Connection module for VCH08.1 manual operator panels with black/gray stop button, with automatic stop button override	R911171054
RKS0011/005,00 (*****_*****_*****)	Extension cable for VxH with stop button, 5 m	R911173161

HMI/industrial PC

Manual operator panel ■ IndraControl VCH 08

Type code	Description	Material number:
RKS0011/010,00 (*****-*****-*****)	Extension cable for VxH with stop button, 10 m	R911173162
RKS0011/16.0	Extension cable for VxH with stop button, 16 m	R911171696
RKS0012/016.0	Extension cable for VxH with emergency-off button, 16 m	R911171950

Type code	Description	Material number:
DOK-SUPPL*-VCH*08.1***-PR02-DE-P	IndraControl VCH 08.1 project planning manual (DE)	R911320189
DOK-SUPPL*-VCH*08.1***-PR02-EN-P	IndraControl VCH 08.1 project planning manual (EN)	R911320190

Accessories**Auxiliary components**

Description		
HMI/industrial PC	Accessories	IndraControl VAC, VAP, VAU

Bosch Rexroth AG

Postfach 13 57
97803 Lohr, Germany
Bgm.-Dr.-Nebel-Str. 2
97816 Lohr, Germany
Tel. +49 9352 18-0
Fax +49 9352 18-8400
www.boschrexroth.com/electrics

Local contact information can be found at:

www.boschrexroth.com/adressen

The data specified above only serve to describe the product. As our products are constantly being further developed, no statements concerning a certain condition or suitability for a certain application can be derived from our information. The information given does not release the user from the obligation of own judgment and verification.

It must be remembered that our products are subject to a natural process of wear and aging.