



PC BASED HMI

TOP-PCVIEW

Caution: before operating the products, please be sure to read all related manuals

- Actual products color could be different from catalogs' product color
- All information contained in this catalog are subject to change without any notice
- The logo of Microsoft Windows and other products referenced here are registered trademarks of Microsoft Corporation in U.S and other countries

V 1.9E (210118)

M2I Corporation

HEAD OFFICE | Address: 11-35, Simin-daero 327beon-gil, Dongan-gu, Anyang-si, Gyeonggi-do 14055, Republic of Korea

TEL | 82-31-465-3366

FAX | 82-31-465-3355

www.m2i.co.kr

PC BASED HMI TOP-PCVIEW



THE BEGINNING OF CHANGE IS NOW

PC X HMI

PC X HMI
PC BASED HMI
TOP-PCVIEW

Make Your Industrial Field Smarter
with PC BASED HMI

PC HMI with Perfect Performance, Ease,
and Compatibility



TOP-PCVIEW1910HA
16:9 HD

PROMISE TO CUSTOMER

Communicating with Customer, Continuous Growth, Brand New Change

CONTENTS

TOP-PCVIEW SERIES INTRODUCTION	4P	SPECIFICATIONS/INTERFACE	8P
INDUSTRIAL IoT GATEWAY FUNCTIONS WITH TOP-VIEW	6P	DRAWING/HMI SPECIALIST, M2I CORPORATION	10P

TOP-PCVIEW

Smart and High Performance
for Industry

PC Series

PC BASED HMI

PC X HMI



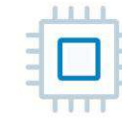
INTERFACE

SERIAL 4 PORTS | ETHERNET 2 CHANNEL | USB 3.0 2 PORTS | USB 2.0 3 PORTS
VGA | HDMI OUT | AUDIO

CERTIFICATION



FEATURES



THE BEST PERFORMANCE

Intel Core-i3
Windows Embedded Standard7
Windows 2000/Vista/2008/7/8/8.1/10
compatible



SSD HIGH-CAPA MEMORY

2.5 inch SSD 256GB



5WIRE TOUCH

5Wire analog resistive touch panel(19 inch)



EXCELLENT FANLESS STRUCTURE

Hgh-efficiency heatsink.
suitable for quiet place,
no need for fan maintenance



ALUMINUM FRAME

Aluminum body with strong durability
and luxurious design



16M FULL COLOR

Bright and vivid full color,
vector image library support



COMPATIBILITY

Mutual compatibility between TOP
and SCADA project
panel cut sharing with TOP series



IP65(FRONT)

Suitable for industrial environment



2 ETHERNET CHANNELS

Separate IP address



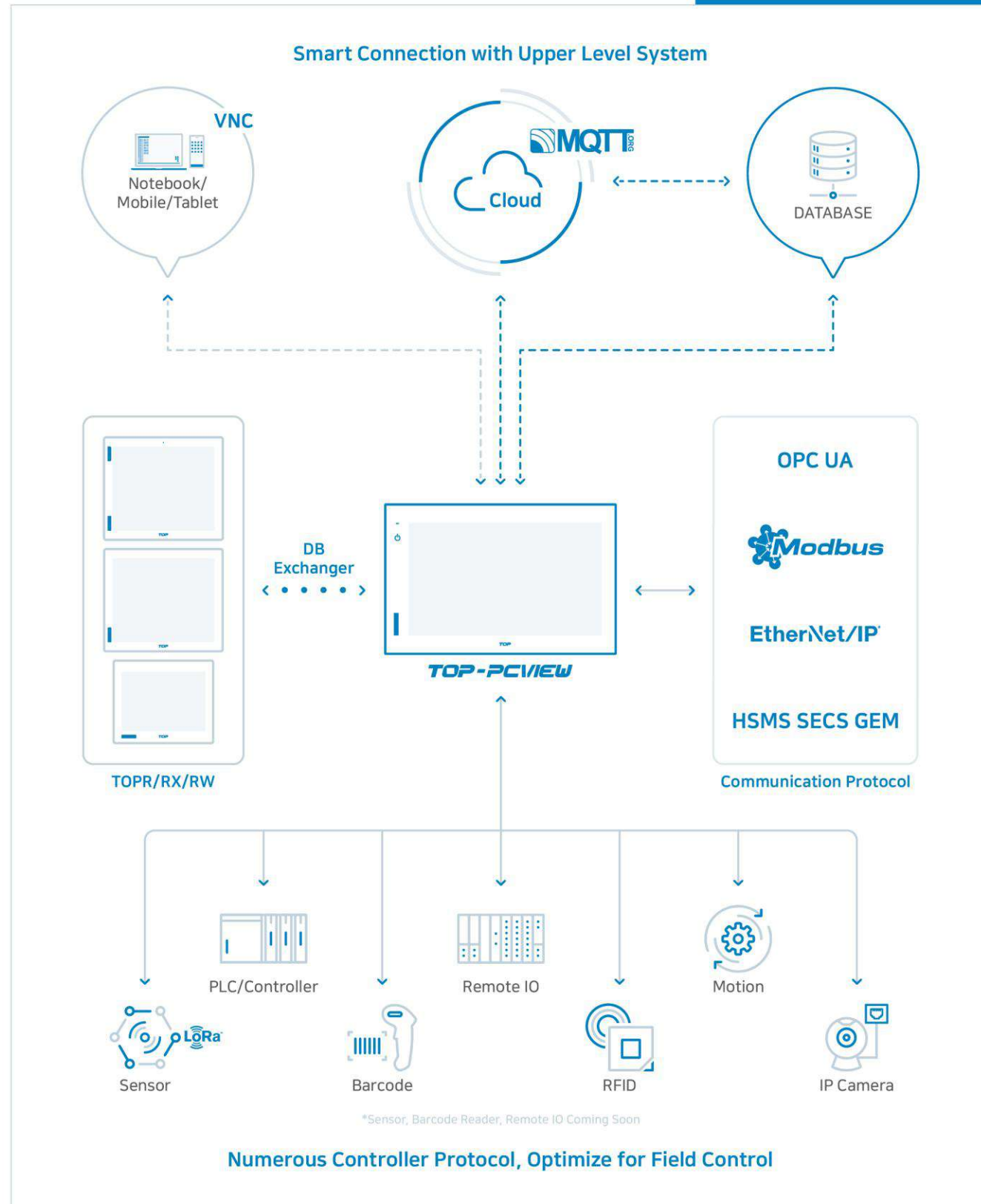
5 USB PORTS

2 Ports for USB 3.0, 3 Ports for USB 2.0

Industrial IoT Gateway Functions with TOP-VIEW

Make Your Industrial Field Smarter

M2I Industrial IoT Topology



01 Easy Access with DataBase System

Easy access to DB by database table object. And this DB data can be monitored in TOP(EMBEDDED HMI) using SQL Exchanger.



02 Various Form of Report as Customer's Needs

Various form of report as customer's needs can be recorded and printed. Also printing without Excel program is supported.



03 Sector Checking with VNC, SMS, and E-mail

TOP/TOP-PCVIEW/Mobile/Tablet/PC can monitor and control the remote TOP/TOP-PCVIEW by VNC, and saved SMS/E-mail can be sent in a certain condition. Supervisor or customer can receive the situation of factory immediately.



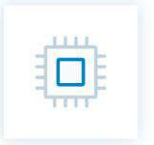
04 Industrial Standard - OPC UA Protocol

OPC UA is a future-oriented, expandable, and rich open technology platform architecture, so data can be collected and managed easily.



05 HSMS SECS GEM Protocol for Semiconductor Industry

Communication for Variable/Alarm/Report/Event/Item/Message/Host Command and Remote Command/Limit Monitoring.



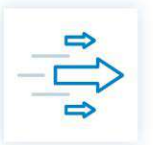
06 FDA 21CFR Part 11

Operator authorization, tracking the log of monitoring/control, managing DB and PDF file.



07 Faster Speed with Screen-Based Communication

Faster speed with screen-based communication is supported, and 3 screens can be shown at the same time.



08 Decrease of Working Time by Mutual Compatibility between TOP and SCADA Project

TOP Design Studio, project making tool, can easily make not only TOP(EMBEDDED HMI), but also TOP-PCVIEW(SCADA). Also both projects can be changed to each other's project, so one project can be used for TOP and SCADA. TOP Design Studio can be downloaded in M2I Corporation's website free.



09 Various Convenience Functions

Data analysis with 3D/Record/Trend/Bar/Meta/Pie graph, efficient and refined display with animation function, and convenient project making with Scheduler/JAVA script, user library. *3D graph is supported in TDS v2.0



10 TOP-PCVIEW(SCADA) USB KEY LOCK can be Sold Separately

TOP-PCVIEW(SCADA) USB KEY LOCK is available to purchase separately as below tag Qty. TOP-VIEW100P/TOP-VIEW300P/TOP-VIEW600P/TOP-VIEW1300P/TOP-VIEW2000P/TOP-VIEWFULLP

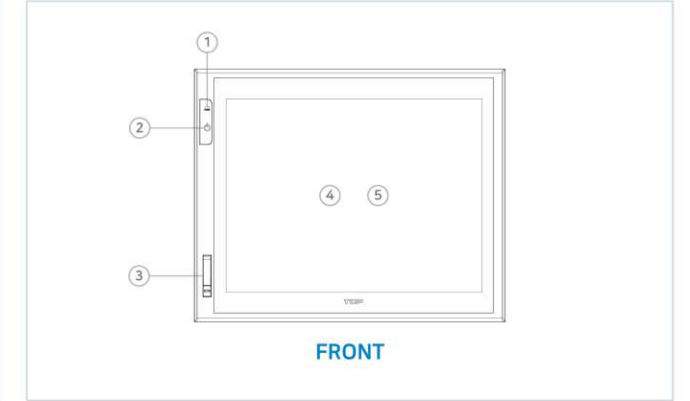
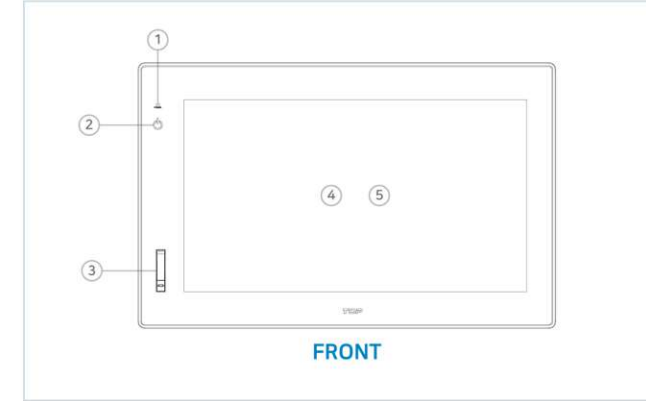


TOP-PCVIEW SPECIFICATIONS

Functional	TOP-PCVIEW1910HA	TOP-PCVIEW1710SA	TOP-PCVIEW1510XA	TOP-PCVIEW1210XA	TOP-PCVIEW1010XA	
System	Processor Number					Intel® Core-i3 4010U
	CPU Speed					Intel® Core-i3: 1.7GHz(2C/4T)
	Memory					DDR3L SO-DIMM 8GB
	Storage					2.5" SSD 256GB
	OS					WES7 KOR 32/64, ENG 32/64(Selectable)
	System Utility					Acronis true image(Recovery System)
Display	Dispaly Type	18.5" TFT Color	17" TFT Color	15" TFT Color	12.1" TFT Color	10.4" TFT Color
	Color					16M Colors
	Display Area(mm)	409.8x230.4	337.92x270.34	304.1x228.1	245.76x184.32	210.4x157.8
	Resolution(dot)	1366x768	1280x1024			1024x768
	Brightness Level					5 Levels(Selected BIOS)
	Backlight Type					LED
	Backlight Life					50,000 hours
Touch	Touch Type					Analog resistive film
	Touch Life					1 million times or more
Interface	Serial COM1, COM2					RS-232C Asynchronous Data bit: 7/8 bits, Stop bit: 1/2 bits, Parity bit: None/Odd/Even Baud rate: 2400~115.2kbps Connector: DSUB 9pin x 2
	Serial COM3, COM4					RS-232C, RS-422/485 Asynchronous(Selected BIOS) Data bit: 7/8 bits, Stop bit: 1/2 bits, Parity bit: None/Odd/Even Baud rate: 2400~115.2kbps Connector: DSUB 9pin x 1, 3.5mm 5P x 1
	Ethernet	IEEE802.3i/IEEE802.3u/IEEE802.3ab, 10BaseT/100BaseT/1000BaseT				Connector: RJ-45 x 2
	USB Host	USB 2.0 Compatible, Output 5Vdc/0.5A				Connector: USB Type A x 2, USB Type Micro B x 1
		USB 3.0 Compatible, Output 5Vdc/0.9A				Connector: USB Type A x 2
	Front Power Button					Electrostatic Touch
VGA	2560x1600 at 60Hz		1920x1200 at 60Hz			
HDMI Out					Max. 4096x2304 at 24Hz	
Audio					High Definition Audio(HD), Line-in, Line-out, Mic-in	
Power	Input Voltage					220Vac(100~240Vac) 50/60Hz
	Power Consumption					50W or less
	Voltage Sag					100Vac, Within 10ms
	Insulation Resistance					500Vdc, 10MΩ
	Operation Temperature(°C)					0 ~ +60(No humidity)
Environment	Storage Temperature(°C)					-40 ~ +60
	Operation Humidity(%RH)					0 ~ 95(No dew)
	Atmosphere					No corrosive gas
	Vibration Endurance					Amplitude: 10≤F<25Hz(2G), X, Y, Z each direction(for 30 minutes)
	Noise Immunity					1000Vp-p(Pulse width 1μs)
	Static Electricity Discharge					Connective discharge from EN61000-4-2: ±4kV
	Shock Endurance					10G X, Y, Z each direction(for 3 times)
	Ground Connection					Class 3(100Ω under)
	Protection Classification					IP65(Front)
	Certification					CE, KC
Structure	Panel Cut(mm)	479x298	400x334	355x286	306x247	260x202
	External Dimension(mm)	497x316x86.6	414x348x86.6	370x301x87	320x261x93.5	276x219.5x87.9
	Weight(kg)	5.5	5.2	5.0	4.1	3.0
	Cooling System					Natural air circulation
	Case Material					Metal

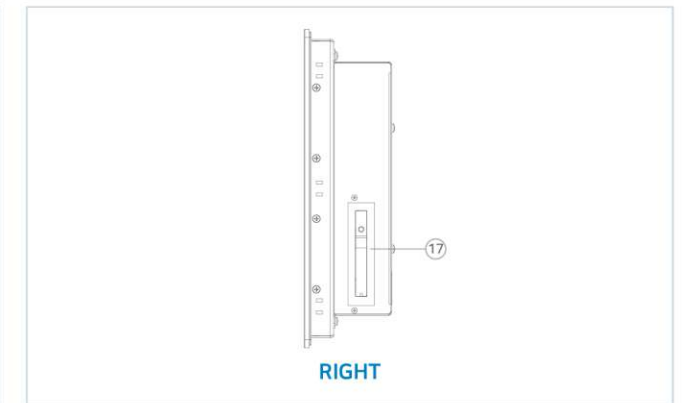
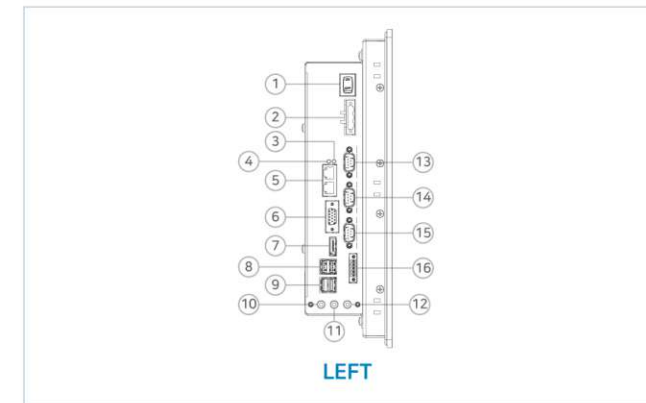
INTERFACE

FRONT



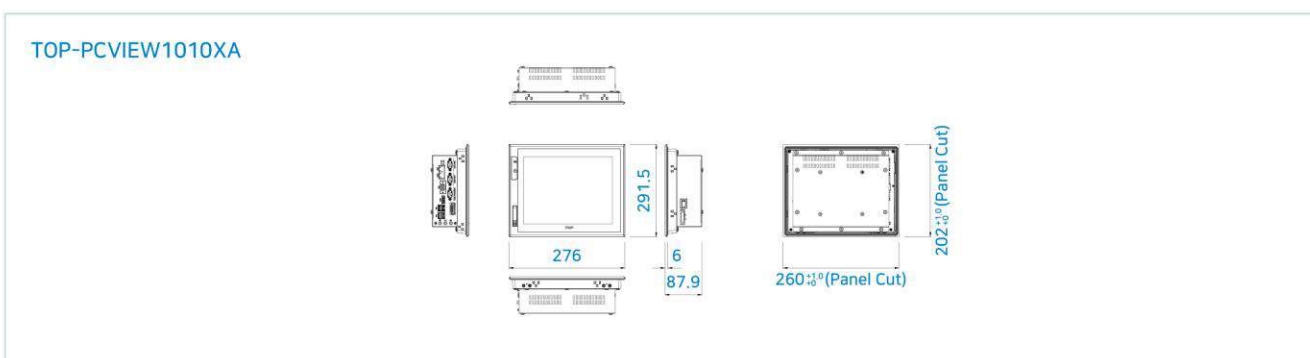
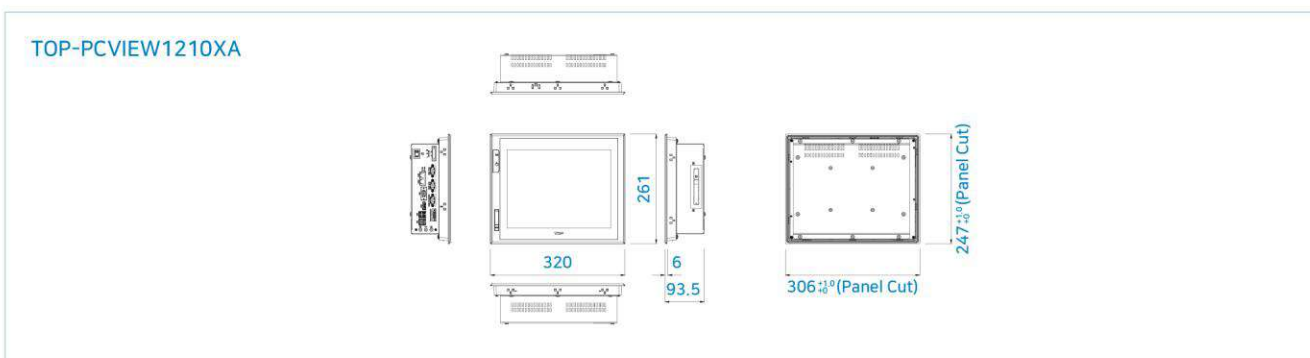
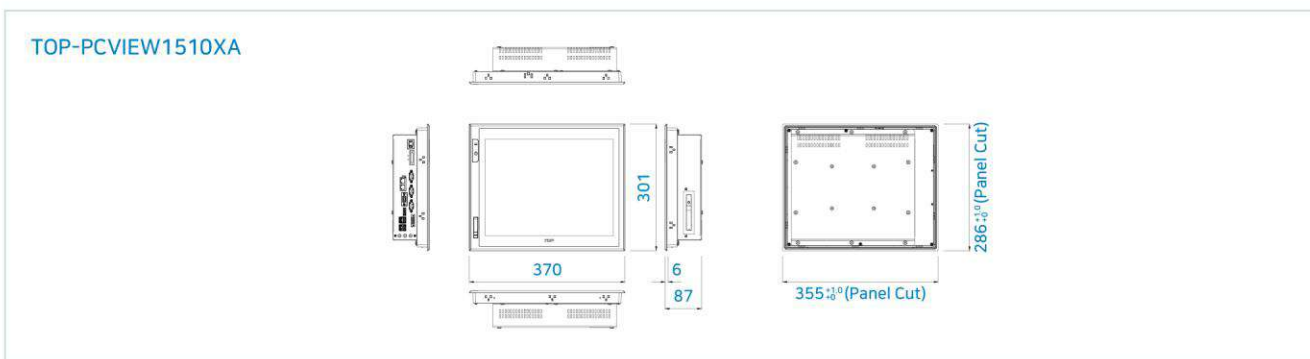
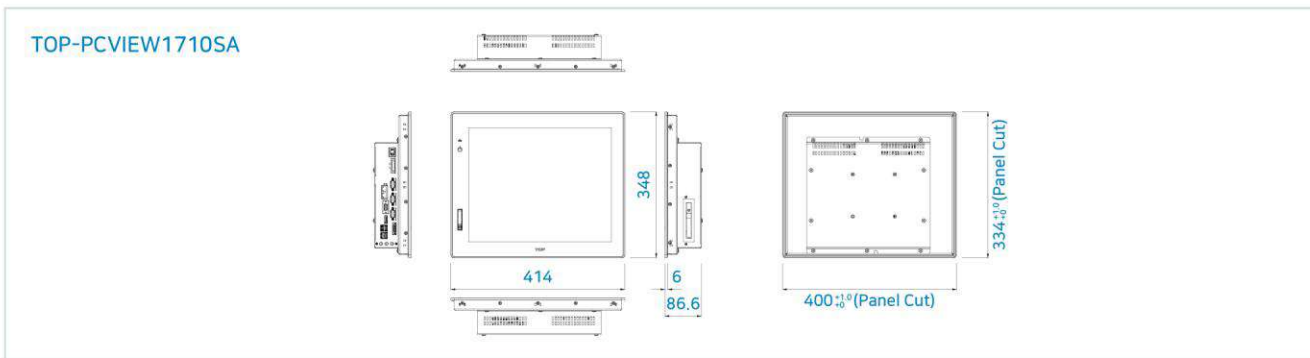
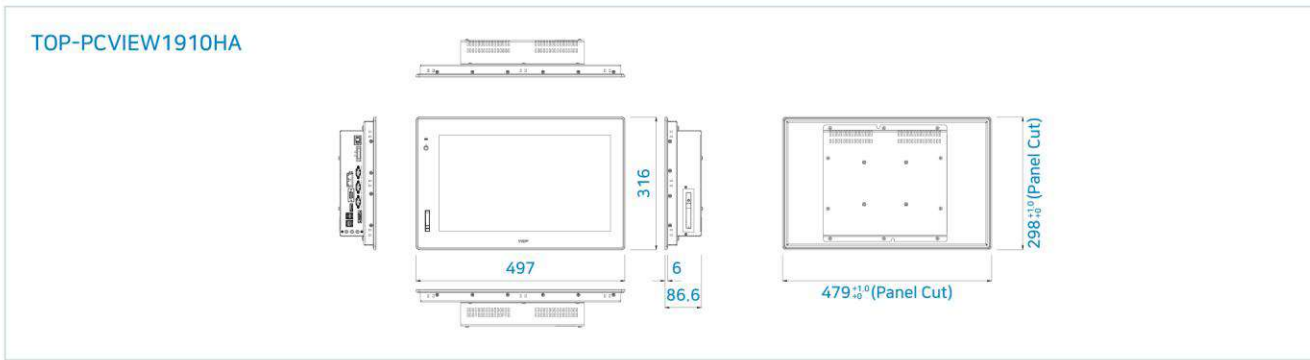
No	Name	Explanation
1	Power LED	System power status
2	Power Switch	System power on/off capacitive switches(*on/off upon contact for more than 3 seconds)
3	Front USB Port	Front USB host port
4	TFT LCD	TFT 16M Color LCD
5	Touch Panel	Analog resistive film

SIDE



No	Name	Form	Explanation
1	Power Switch	Rocker Switch-2P	Main power on/off switch
2	Power Input Terminal	Terminal Block-3P	Power input, pitch 7.62mm
3	Disk LED	LED	Display disk behavior status
4	Power LED	LED	Show system power status
5	LAN Ports #1, #2	RJ-45 2Ch.	Ethernet communication port, capable of independent IP configuration
6	VGA	DSUB-15P	External monitor connection
7	HDMI	HDMI Port	External monitor connection
8	USB #1	USB 2Ch.	USB connection port
9	USB #2	USB 2Ch.	USB connection port
10	SPK	Audio Jack(3.5Pi)	Audio output terminal
11	LINE-IN	Audio Jack(3.5Pi)	External audio input terminals
12	MIC	Audio Jack(3.5Pi)	External microphone input terminal
13	COM1	DSUB-9(Male)	RS-232 Dedicated communications port
14	COM2	DSUB-9(Male)	RS-232 Dedicated communications port
15	COM3	DSUB-9(Male)	RS-232/422/485 communications port
16	COM4	Terminal Block-5P	RS-232/422/485 communication port, pitch 3.50mm
17	HDD Rack	2.5" Bay Slot	2.5" External storage mounted(10 Inch)

DRAWING



Promise to Customer

HMI Specialized Company



For customer's satisfaction, M2I will keep communicate, to improve quality of product, M2I will keep research and develop no fear to change.

We are M2I, the HMI Specialized Company