



## IV-M30

### Intelligent Monitor



! This model has been discontinued.  
Compliance with the certification standard is ensured as of the time of shipment from our company.

Contact Us: 1-888-539-3623

Recommended Replaceable Products: [Control Panel - IV2-CP50](#)

## Specifications

Model	IV-M30	
Supported languages	Japanese/English	
Display	3.5" TFT color LCD 320 x 240 dot (QVGA)	
Backlight	Method	White LED
	Duration	Approx. 50,000 hours (25 °C 77 °F)
Touch panel	Method	Analog resistive
	Actuating force	0.8 N or less
Indicators	PWR, SENSOR	
Ethernet	Standard	100BASE-TX/10BASE-T <sup>1</sup>
	Connector	M12 4pin connector <sup>1</sup>
Expanded memory	USB memory <sup>2</sup>	
Rating	Power voltage	24 VDC ±10 % (including ripple)
	Current consumption	0.2 A or less
Environmental resistance	Ambient temperature	0 to +50 °C 32 to 122 °F (No freezing)
	Relative humidity	35 to 80 % RH (No condensation) <sup>3</sup>
	Drop Resistance	1.3 m 4.27' over the concrete (2 times each in the arbitrary direction)
	Vibration resistance	10 to 55 Hz, Double amplitude 0.7 mm 0.03", 20 sweeps in each of the X, Y, and Z directions
Material	Polycarbonate	
Weight	Approx. 180 g	

<sup>1</sup> This is dedicated for connection with IV-series sensor.

<sup>2</sup> Use the KEYENCE recommended product.

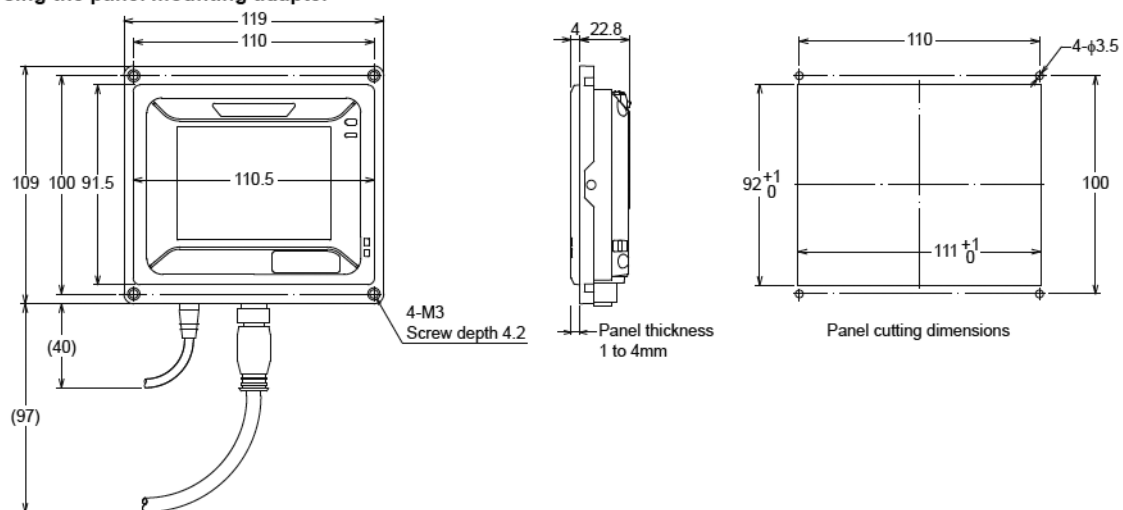
<sup>3</sup> If the ambient temperature is over 40 °C 104°F, use it in the absolute humidity of 40 °C 104°F 80 % RH or lower.

## Dimensions

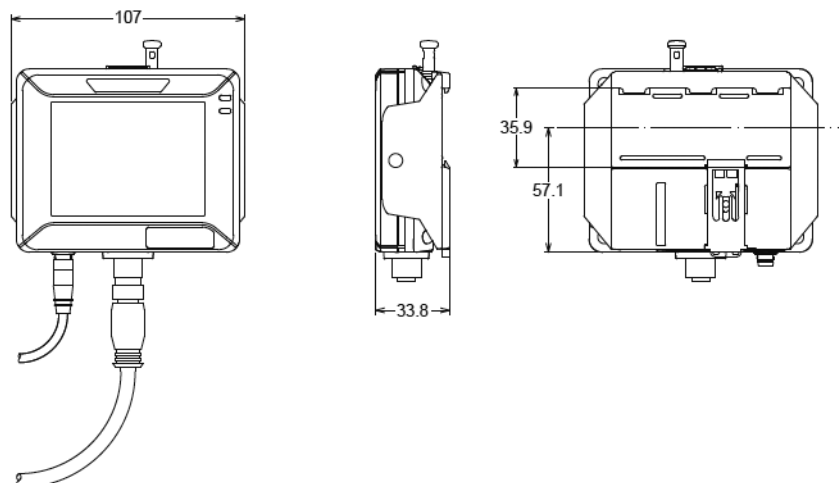
\* Download CAD file or product manual for larger image/text and more detail.

iv-m30\_3\_dimension\_02.gif

### • Using the panel mounting adapter

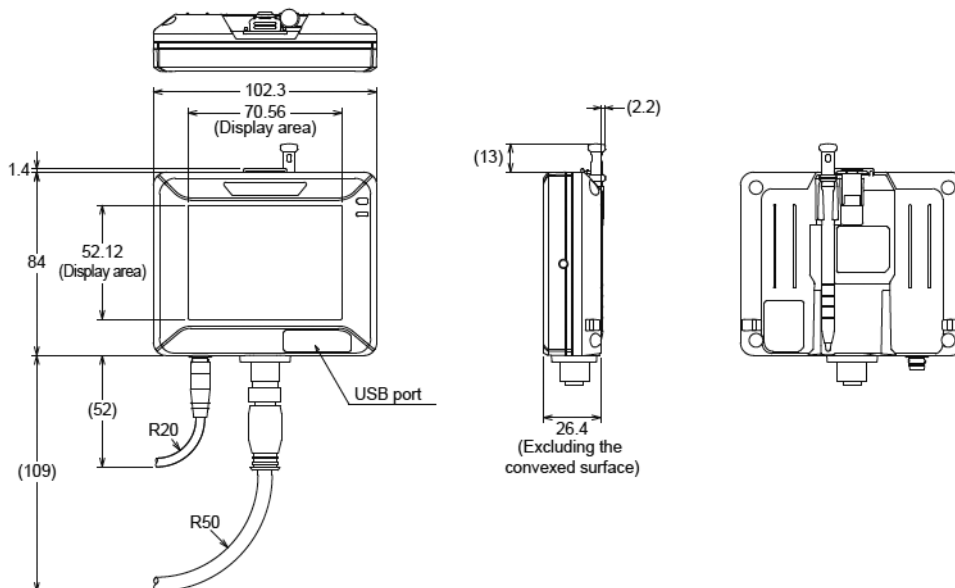


### • Using the DIN mounting adapter



iv-m30\_3\_dimension\_01.gif

IV-M30



• Using the wall mounting adapter

