

VT3-V6H

6-inch VGA TFT Colour Touch Panel



SPECIFICATIONS

Model		VT3-V6H		
General specifications	Current consumption		380mA or less	
	Structure		IP65f equivalent dust proof, waterjet proof	
	Overvoltage category		I	
	Pollution degree		3	
	Power voltage		24 VDC \pm 10%	
	Noise resistance		1500 Vp-p pulse width 1 μ s 50 ns (common mode, based on noise simulator)	
	Withstand voltage		1500 VAC 1 minute (between power terminal and housing)	
	Insulation resistance		50 M Ω or more tested by 500 VDC megohmmeter (between power terminal and housing)	
	Vibration resistance	Intermittent vibration	Frequency: 5 to 9 Hz	Half amplitude:3.5 mm ¹
			Frequency: 9 to 150 Hz	Acceleration: 9.8 m/s ² ¹
		Continuous vibration	Frequency: 5 to 9 Hz	Half amplitude:1.75 mm ¹
			Frequency: 9 to 150 Hz	Acceleration: 4.9 m/s ² ¹
	Ground		Class D grounding (Class 3 grounding).	
	Operating environment		Minimal amount of dust and corrosive gas present	
	Ambient operating temperature		0 to +50°C ² ³	
	Ambient operating humidity		35 to 85%RH (No condensation) ⁴ ³	
Ambient storage temperature		-10 to +60°C (No freezing)		
Ambient storage humidity		35 to 85%RH (No condensation) ⁴ ³		
Drop		According to JIS B 3502 IEC61131-2 (1.3m)		
Weight		Approx 1100g ⁵		
Performance specifications	Displaypanel	Display elements	TFT colour LCD	
		Display colour	32768 colours	
		Number of points displayed	W 640 \times H 480 points	
		Active display area	W 132.5 \times H 99.4 mm	
		Service life (normal temperature and humidity)	Approx 50000 h	
	Backlightlamp	System	White LED (Not replaceable)	
		Life-span	Approx 50000 h	
	Touchswitch	Number of switches	80 \times 60/screen	
		System	Analogue resistive membrane type	
		Operating force	0.98N or less	
		Life-span	1,000,000 times or more	
	Screen data internal memory	Memory capacity	12 MB (memory extension enabled)	
		Number of pages that can be registered	Up to 1024 pages	
		Number of screens that can be registered	Up to 1024 screens	
	Data backup	Screen data	Flash ROM can be erased 100000 times.	
		Recording data	SRAM backup:lithium battery	
	Character font		Outline font, Bitmap font, Stroke font Windows font, IMAGE font, Small font	
	Calendar timer		Accuracy: \pm 40s/month (25°C), Backup:lithium battery (5 years above of service life at 25°C)	
	Communication function	PLC host link	KEYENCE, Mitsubishi Electric, OMRON, Sharp, Fuji Electric FA Components & Systems, Yaskawa Electric, Hitachi, Panasonic Electric Works, JTEKT (Toyota), Koyo Electronics Industries, Yokogawa Electric, Toshiba, Toshiba Machine, Fanuc, GE Fanuc Automation, Rockwell (Allen Bradley), Siemens	
		Thermostat	Yokogawa Electric, Azbil (Yamatake), OMRON, RKC Instrument, Shinko Technos, CHINO	
Inverter		Mitsubishi Electric, Fuji Electric FA Components & Systems, Yaskawa Electric, OMRON		
Servo amplifier		Mitsubishi Electric		
Stepping motor		Oriental Motor		
Robot controller		IAI		
Eco-power meter		Panasonic Electric Works		
General-purpose communication		Based on specific commands		
I/O specifications	Function switch (FSW1/FSW2/FSW5/FSW6)	Number of outputs	4 (FSW1, FSW2, FSW5, FSW6)	
		Common terminal	4 terminals/common (FSWC)	
		Output	MOSFET (N-ch; with overcurrent protection function)	

		Rated load	30 VDC 0.1 A
		Leakage current (at OFF)	100 µA or less
		Residual voltage (at ON)	1.0V or less
		Durability	300,000 times or more
	Enabling switch (EN1A/EN1B/EN2A/EN2B)	Rated voltage	30 VCD
		Rated current	—
		Contact method	
		Durability	Mechanical
			Electrical
	RS-232C/422 communication (CN2A/CN2B)	Applied standard	Conforms to EIA RS-232C and RS-422
		Synchronisation between the transmitter and receiver	Start-stop, full duplex
		Communication distance	15m (RS-232C)/500m (RS-422)
		Data length	7 or 8 bits
		Parity	Even, odd, none
		Communication speed	1,200, 2,400, 4,800, 9,600, 19,200, 38,400, 57,600, 115,200 bps
	Ethernet communication (CN3)	Compliance	IEEE802.3
		Transmission speed	10 Mbps (10BASE-T), 100 Mbps (100BASE-TX)
		Transmission medium	STP or category 3 or higher UTP (10BASE-T), STP or category 5 or higher UTP (100BASE-TX) ⁶
		Maximum cable length	100 m
		Maximum number of connectable hubs	4 (10BASE-T), 2 (100BASE-TX)
Maximum number of connections		PC application: ⁷ 3, FTP: 4	
MegaLink/multi-link (A/B/G)	When connected through MegaLink	Applied standard	RS-485
		Synchronisation between the transmitter and receiver	Start-stop, half duplex
		Communication speed	19,200 bps, 115,200 bps, 0.5 Mbps, 1 Mbps, 2 Mbps
		Cable connection	Multi-drop (branching is not possible)
		Maximum number of connectable units	15
		Baud rate 19200	Maximum extension distance: 1,000 m
		Baud rate 115200	
		Baud rate 0.5 M	Maximum extension distance: 500 m
		Baud rate 1 M	Maximum extension distance: 200 m
		Baud rate 2 M	Maximum extension distance: 100 m
	When connected through VT multi-link	Applied standard	RS-485
		Synchronisation between the transmitter and receiver	Start-stop, half duplex
		Communication distance	Maximum extension distance: 500 m or less
		Communication speed	19200, 115200, 0.5M, 1M bit/s
		Baud rate 115200 or less	Maximum extension distance: 500 m
		Baud rate 0.5 M	Maximum extension distance: 100 m
	When connected through multi-link	Baud rate 1 M	Maximum extension distance: 50 m
		Applied standard	RS-485
		Synchronisation between the transmitter and receiver	Start-stop, half duplex
		Communication distance	Maximum extension distance: 500 m or less
Communication speed	19200, 38400, 57600, 115200 bit/s		

¹ Conforms to JIS B 3502, IEC61131-2

Number of sweeps: 10 times respectively in the X, Y, and Z directions (100 minutes)

² Please use the unit in the condition of the ambient temperature at 0 to 40°C when the back light power is set to "□□□".

³ Use this product under the condition that if the ambient temperature exceeds 40°C, the absolute humidity is 40°C 85% RH or less.

⁴ When the ambient temperature is higher than 40°C, please use it in the condition of an absolute humidity of 85%RH at 40°C.

⁵ Excluding individual unit and cable.

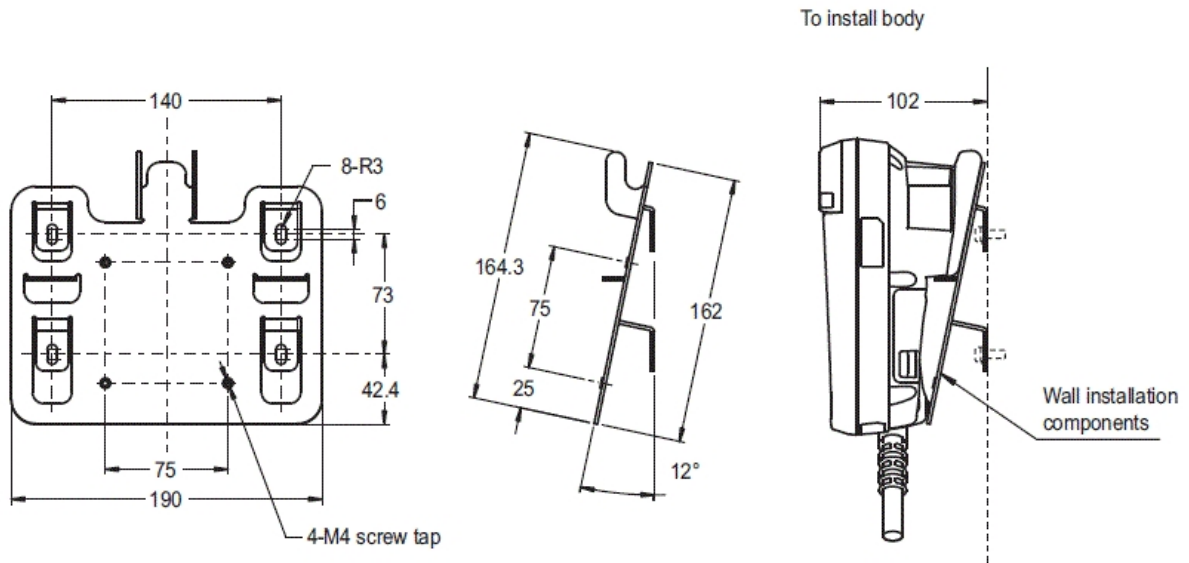
⁶ STP = shielded twisted pair cable, UTP = unshielded twisted pair cable

⁷ PC application refers to VT STUDIO and DATA BUILDER.

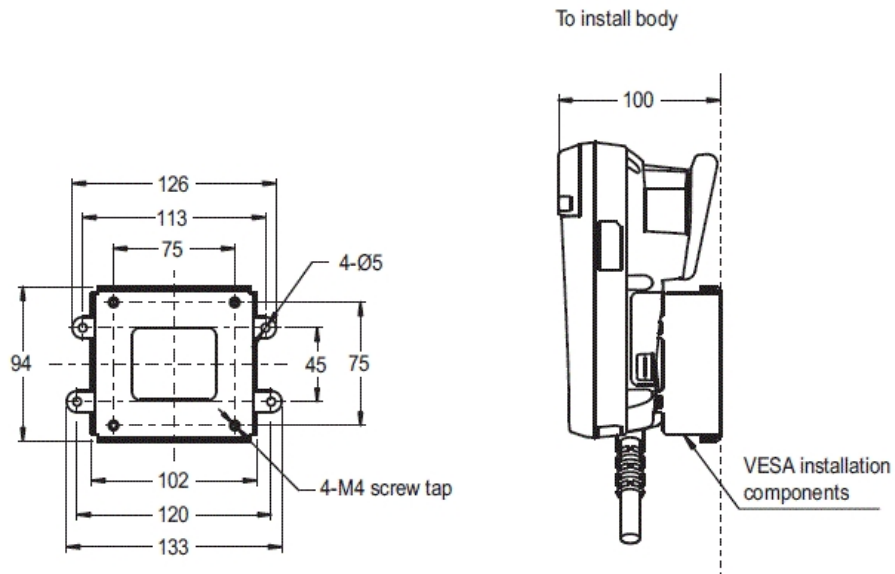
Dimensions

* Download CAD file or product manual for larger image/text and more detail.

● OP-87176 (Wall mounts)

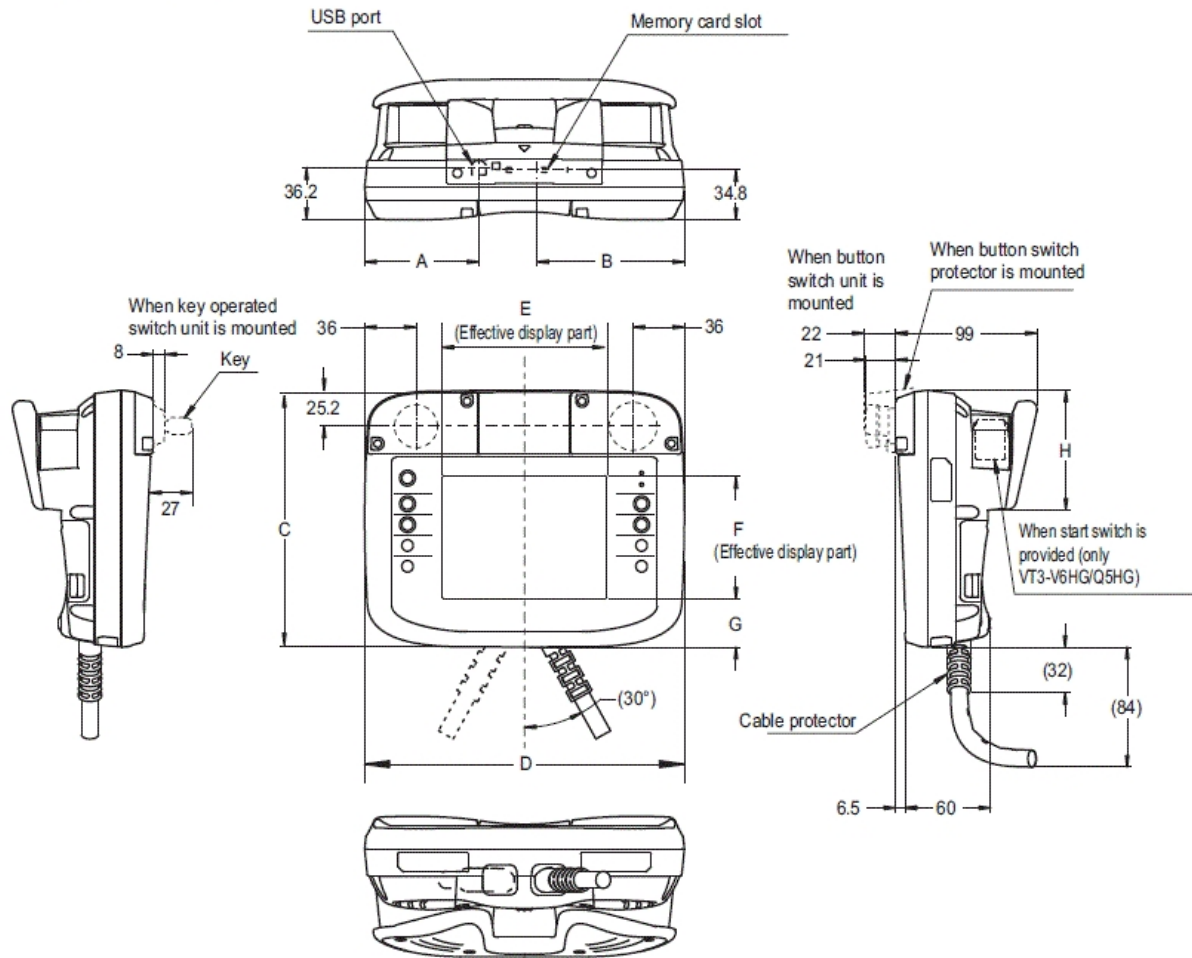


● OP-87177 (VESA mounts components)

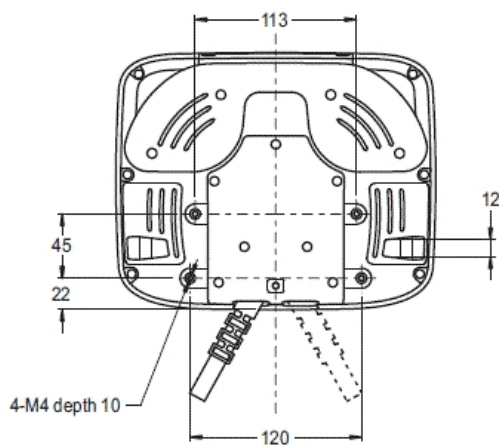


in: mm

■ VT3-V6H(G)/Q5H(G)



in: mm



Model	VT3-V6H(G)	VT3-Q5H(G)
A	91	80
B	114.3	103.3
C	196	180
D	246	224
E	134.3	115.2
F	101	86.4
G	35	33.8
H	(100)	(84)