



## VT2-10TB

10-inch VGA TFT Colour Touch Panel

! This model has been discontinued.  
Compliance with the certification standard is ensured as of the time of shipment from our company.

Contact Us: 1-800-88-1358

Recommended Replaceable Products: [10" TFT colour touch panel display - VT5-X10](#)

## Specifications

Model	VT2-10TB		
General specifications	Current consumption		65VA or less
	Ground		Class D grounding (Class 3 grounding).
	Structure		Panel-mount type, only the operation part of the front surface has dustproofing and splashproofing equivalent to IP65f.
	Overvoltage category		II
	Pollution degree		2
	Power voltage		100 to 240 VAC $\pm$ 10% (50/60 Hz)
	Noise resistance		1,500 Vp-p, pulse width : 1 $\mu$ s (common mode, by way of a noise simulator)
	Withstand voltage		1500 VAC 1 minute (between power terminal and housing)
	Insulation resistance		5 M $\Omega$ or more, tested with a 500 VDC megger (between the power supply terminal and the case)
	Operating environment		Minimal amount of dust and corrosive gas present
	Ambient operating temperature		0 to +50°C*1
	Ambient operating humidity		35 to 85%RH (No condensation)*2
	Ambient storage temperature		-10 to +60°C (no freezing)
	Ambient storage humidity		35 to 85%RH (No condensation)*2
	Vibration resistance	Intermittent vibration	Frequency : 10 to 57Hz
Frequency : 57 to 150 Hz			Acceleration : 9.8 m/s <sup>2</sup> *3
Continuous Vibration		Frequency : 10 to 57Hz	Amplitude : 0.035 mm*3
		Frequency : 57 to 150Hz	Acceleration : 4.9 m/s <sup>2</sup> *3
Weight		Approx 2300g	
Performance specifications		Displaypanel	Display elements
	Display colour		4,096 colours
	Number of dots		W 640 x H 480 dots
	Active display area		W 211.2 mm x H 158.4 mm
	Service life (normal temperature and humidity)		Approx. 50,000 hours

Backlightlamp	System	Cold cathode tube (replaceable)
	Life-span	Approx. 50,000 hours
Touchswitch	Number of switches	40 × 30/screen
	System	Matrix resistive membrane type
	Operating force	0.98N or less
	Life-span	1,000,000 times or more
Character font		Outline font, bitmap font, stroke font
Communication function	PLC host link	KEYENCE; Mitsubishi; Omron; Sharp; Fuji Electric; YASKAWA Electric Corporation; Hitachi; Panasonic; JTEKT Corporation (Toyoda Machine Works Ltd.); KOYO ELECTRONICS INDUSTRIES Co., Ltd.; Yokogawa Electric Corporation; TOSHIBA CORPORATION; TOSHIBA MACHINE C
	General-purpose communication	By way of dedicated commands
Screen data internal memory	Memory capacity	12 MB (28 MB when extended)
	Number of pages that can be registered	Up to 1024 pages
	Number of screens that can be registered	1,024 maximum Page number : 0 to 8,999, global window number : G000 to G999
Calendar timer		Accuracy : ±40 seconds/month (25°C), backup : primary lithium battery (5-year life or more, 25°C)
Data backup	Screen data	Flash ROM can be erased 100000 times
	Recording data	SRAM backup : primary lithium battery

\*1 These are the values when only the main unit is installed with a vertical orientation.

\*2 When the ambient temperature is higher than 40°C, please use it in the condition of an absolute humidity of 85%RH at 40°C.

\*3 Conforms to JIS B 3502, IEC61131-2

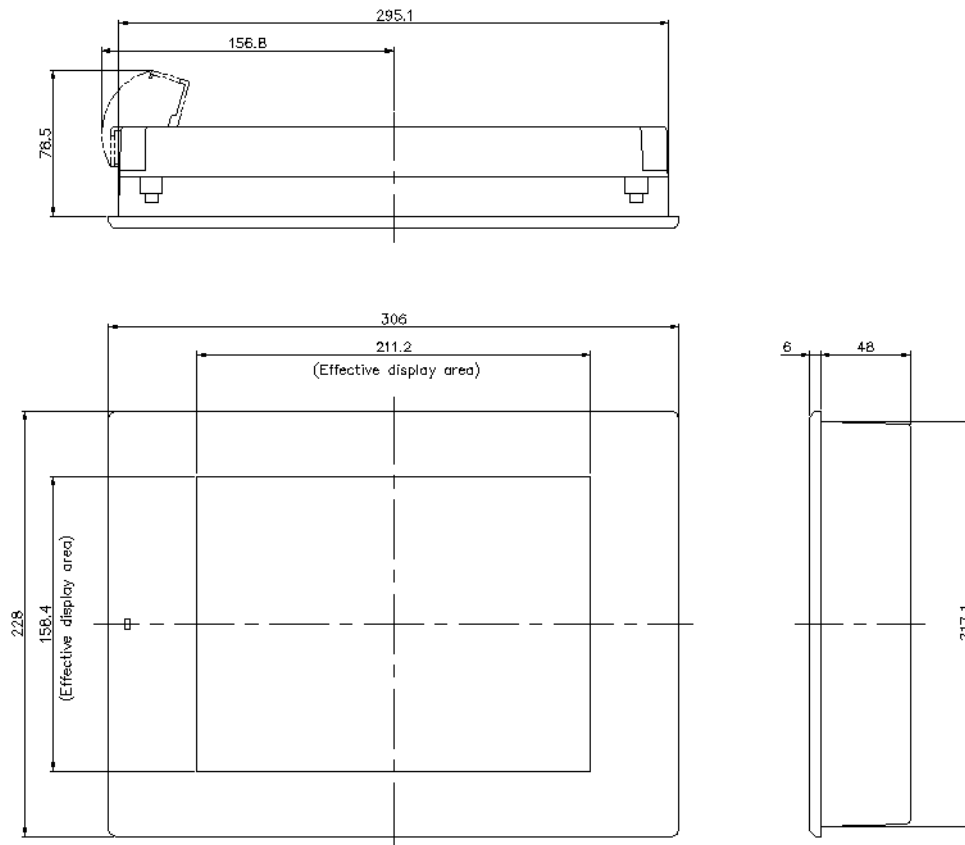
Number of sweeps : 10 times respectively in the X, Y, and Z directions (80 minutes)

## Dimensions

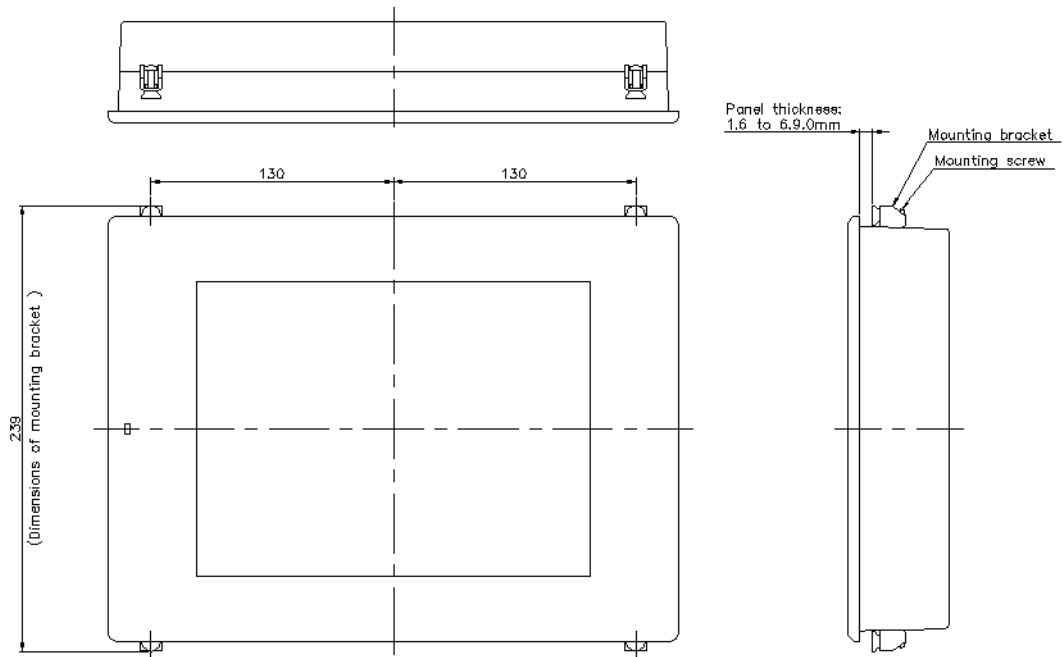
\* Download CAD file or product manual for larger image/text and more detail.

VT2-10

VT2-10F/10T/10S



When mounting bracket is attached



Panel cutout

