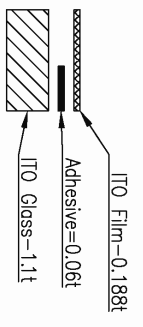
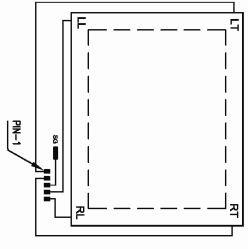
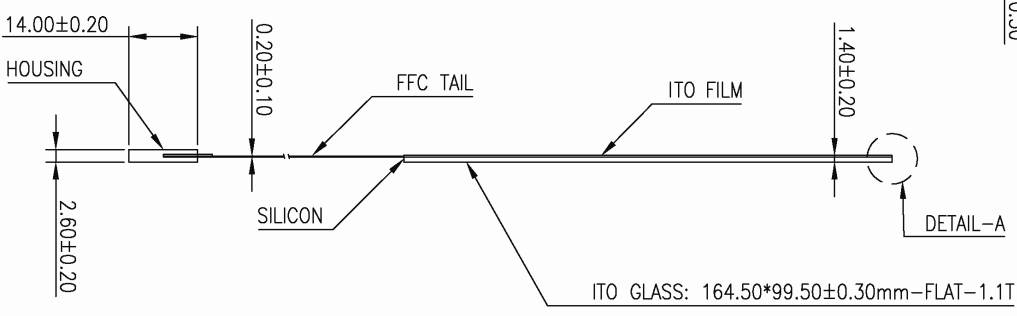
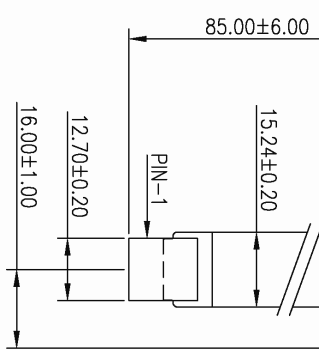
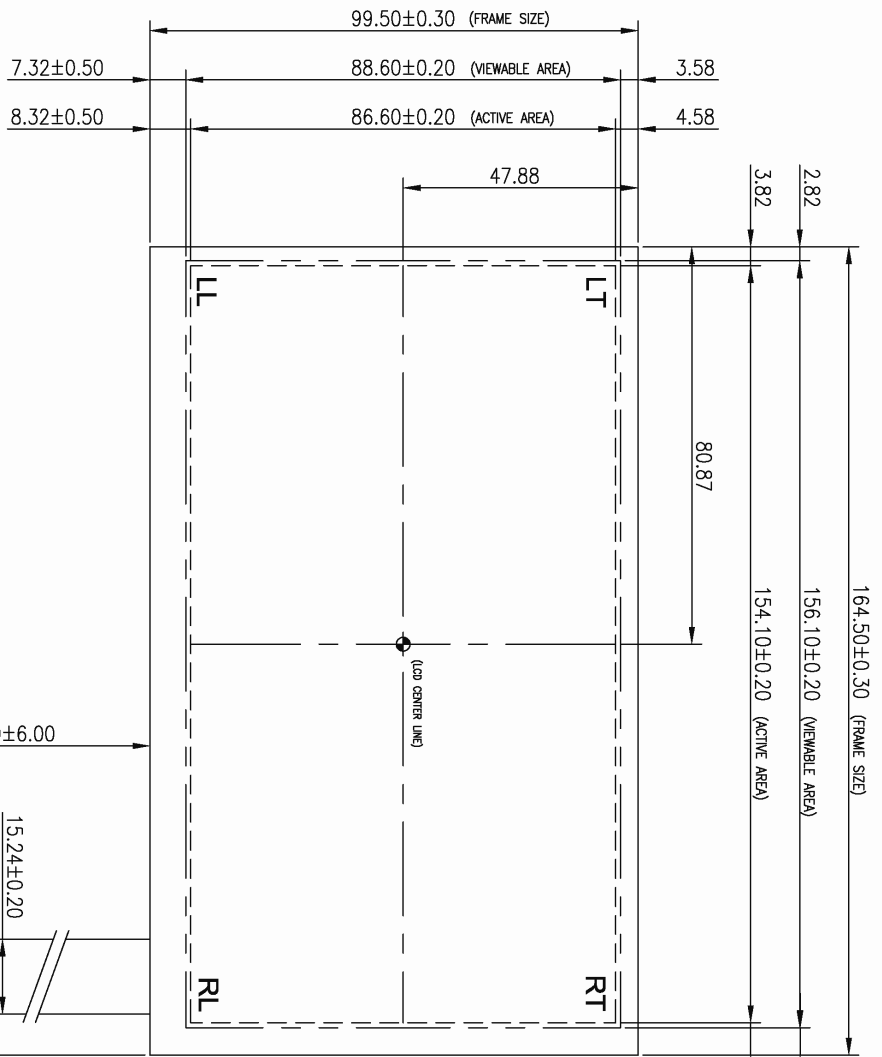


HOUSING

CONNECTOR PINOUT	PIN NO.	DESIGNATION
1	LT	
2	RT	
3	SG	
4	LL	
5	RL	



DETAIL-A



MODEL	GP-070F-5H-NB07A	TYPE	Analog Resistive	DATE	2008.08.27
UNIT	mm.	NO		CUSTOMER APPROVED	
DRAWING	Daniel	NOTE	Five-Wire B-Type		

