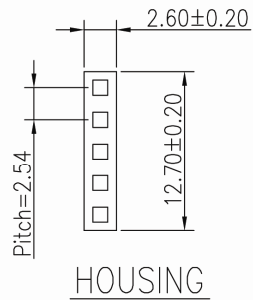
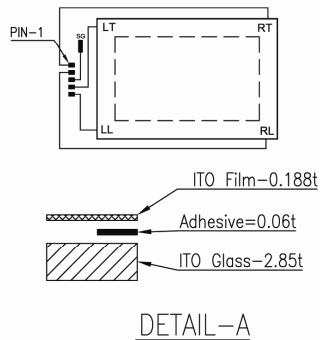
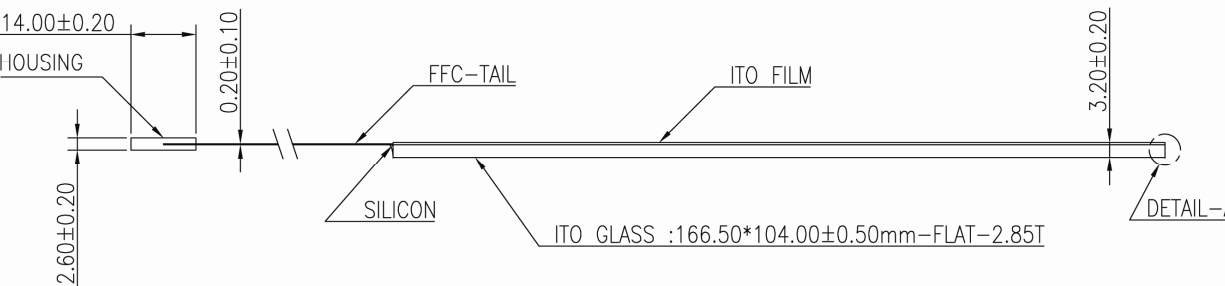
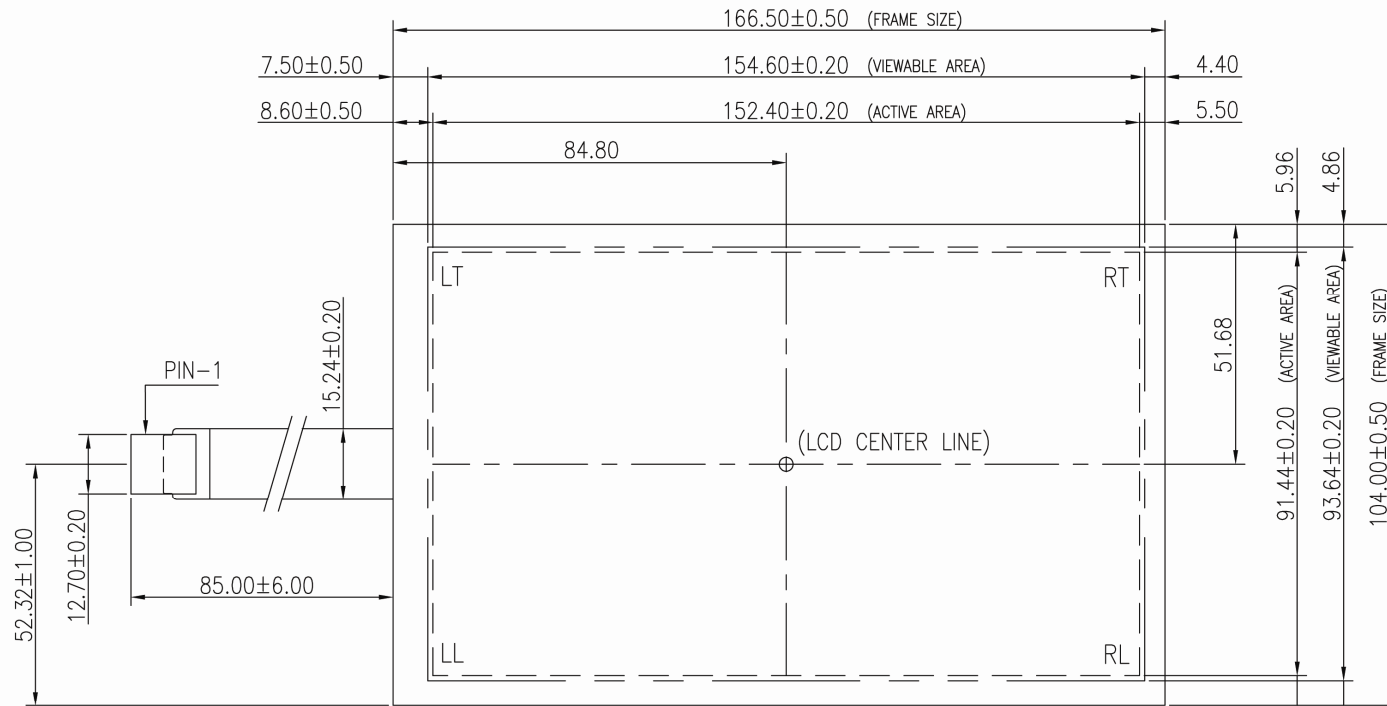


TOUCHSCREEN TABULATION

PART NUMBER	TYPE
5RBC03G	CLEAR
5RBC03N	ANTI GLARE



CONNECTOR PINOUT	
PIN NO.	DESIGNATION
1	RT
2	RL
3	SG
4	LT
5	LL



MODEL	GP-070F-5H-NB03C	TYPE	Analog Resistive	DATE	2006.07.28
UNIT	mm.	NO		CUSTOMER	
DRAWING	Daniel	NOTE	Five-Wire B-Type	APPROVED	

