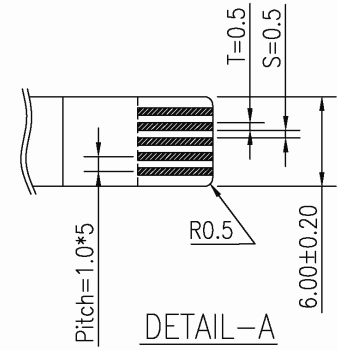
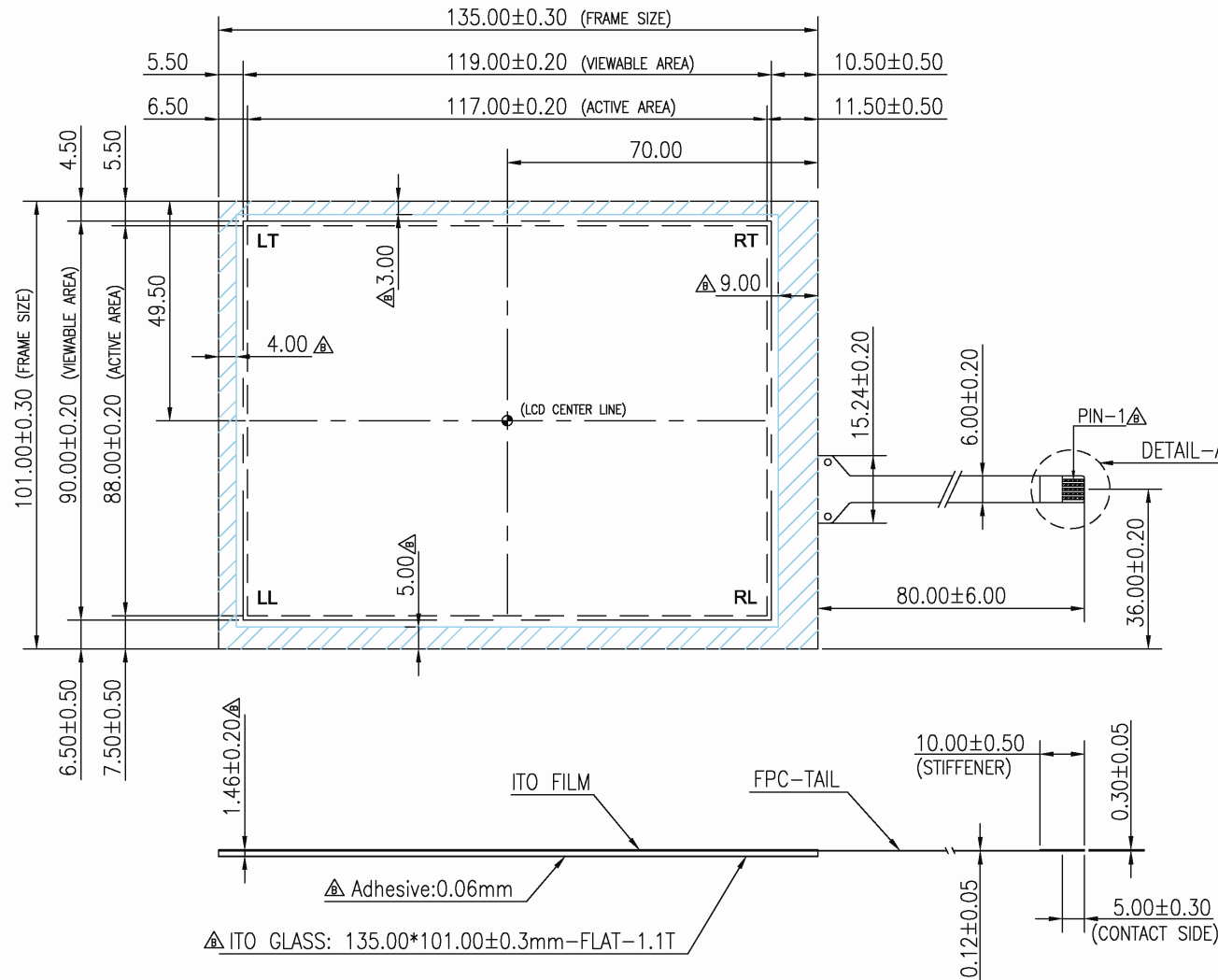


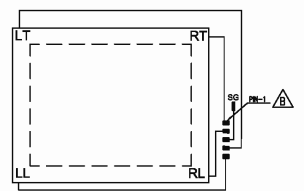
TOUCHSCREEN TABULATION

PART NUMBER	TYPE
006G	CLEAR
006N	ANTI GLARE



CONNECTOR PINOUT

PIN NO.	DESIGNATION
1	RT
2	RL
3	SG
4	LT
5	LL



MODEL	GP-057F-5H-NB02AT	TYPE	Analog Resistive	DATE	2007.07.24
UNIT	mm.	NO		CUSTOMER	
DRAWING	Daniel	NOTE	Five-Wire	APPROVED	

