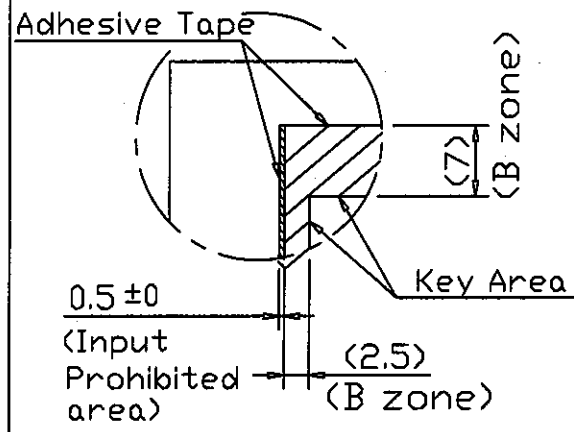
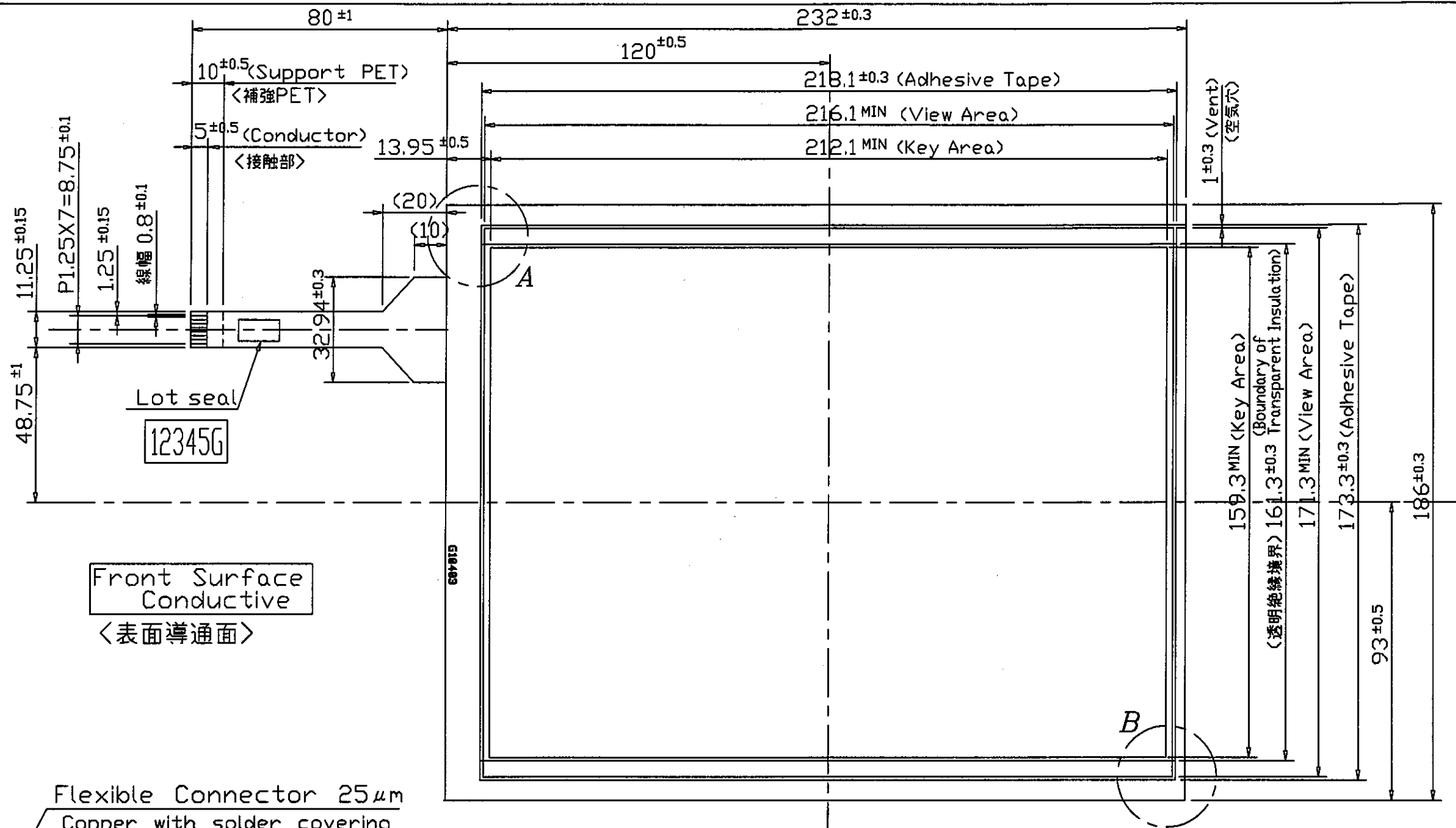
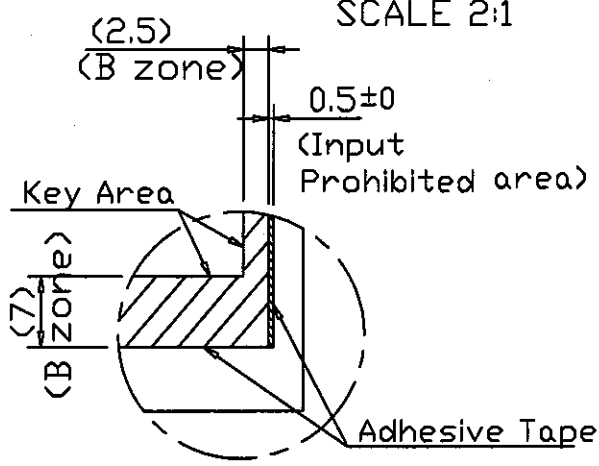


Detail A  
SCALE 2:1



Detail B  
SCALE 2:1



Flexible Connector 25µm  
Copper with solder covering  
〈先端部は銅箔+ハンダメット〉

Protection PET 25µm  
〈保護PET〉

〈上部電極〉  
Upper Electrode 188µm  
Non-glare ANR (\*1) 4~0.5±0.5

〈下部電極〉  
Lower Electrode  
Glass t=1.8mm

Support PET  
〈補強PET〉

Protection PET 25µm  
〈ヒートシール部補強PET〉

| Touch panel Individual Specification |                  |           | unit |
|--------------------------------------|------------------|-----------|------|
| Terminals resistance                 | Top electrode    | 250 ~ 500 | Ω    |
|                                      | Bottom electrode | 230 ~ 710 | Ω    |
| Linearity                            | 1.5 Max,         | %         |      |
| Capacity                             | 100 Max,         | nF        |      |
| Chattering                           | 10 Max,          | ms        |      |
| Operation starting force             | 0.10 ~ 0.79      | N         |      |
| Transmission factor (Transparency)   | Typ, 80          | %         | △    |

This drawing is applied to the specification with the same model number.

本図面が明記されている仕様書が、本図面に対して有効です。

(\*1) Conductive layer appeared along 4 sides (insulated from traces and active area)

(\*1) 周囲に透明導電膜の露出部あり。(0.5±0.5mm幅)  
(ただし、内部の電極部とは絶縁してあります)

| ISSUE DATE REVISIONS |        |                     | (*1) Only internal use for the control code     |  | DATE : 2007.1.9               |
|----------------------|--------|---------------------|---|--|-------------------------------|
| △                    | 07.1.9 | Remove Preliminary  | APPROVED : <i>F. Muroka</i><br>deputy           |  | TITLE : TOUCH PANEL           |
| △                    | 07.1.9 | Change Transparency | CHECKED : <i>F. Muroka</i>                      |  | MODEL : G104-03-2D            |
|                      |        |                     | DRAWN : <i>A. Saikawa</i>                       |  | CONTROL CODE : V2             |
|                      |        |                     | DESIGNED : <i>A. Saikawa</i>                    |  | PART : T/P DRAWING            |
|                      |        |                     | GUNZE LIMITED<br>ELECTRONIC Components Division |  | SCALE : 1/1.5                 |
|                      |        |                     |   |  | DRAWING No.: G104-03F2D-V2-02 |