

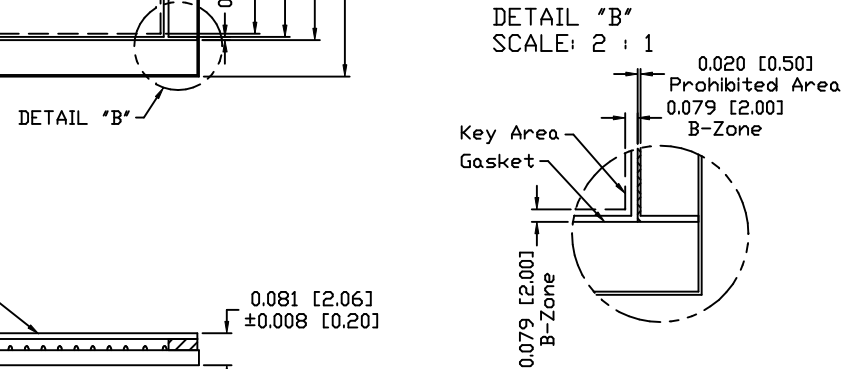
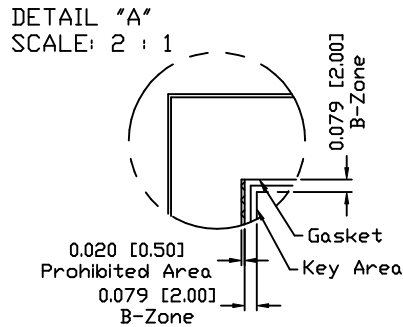
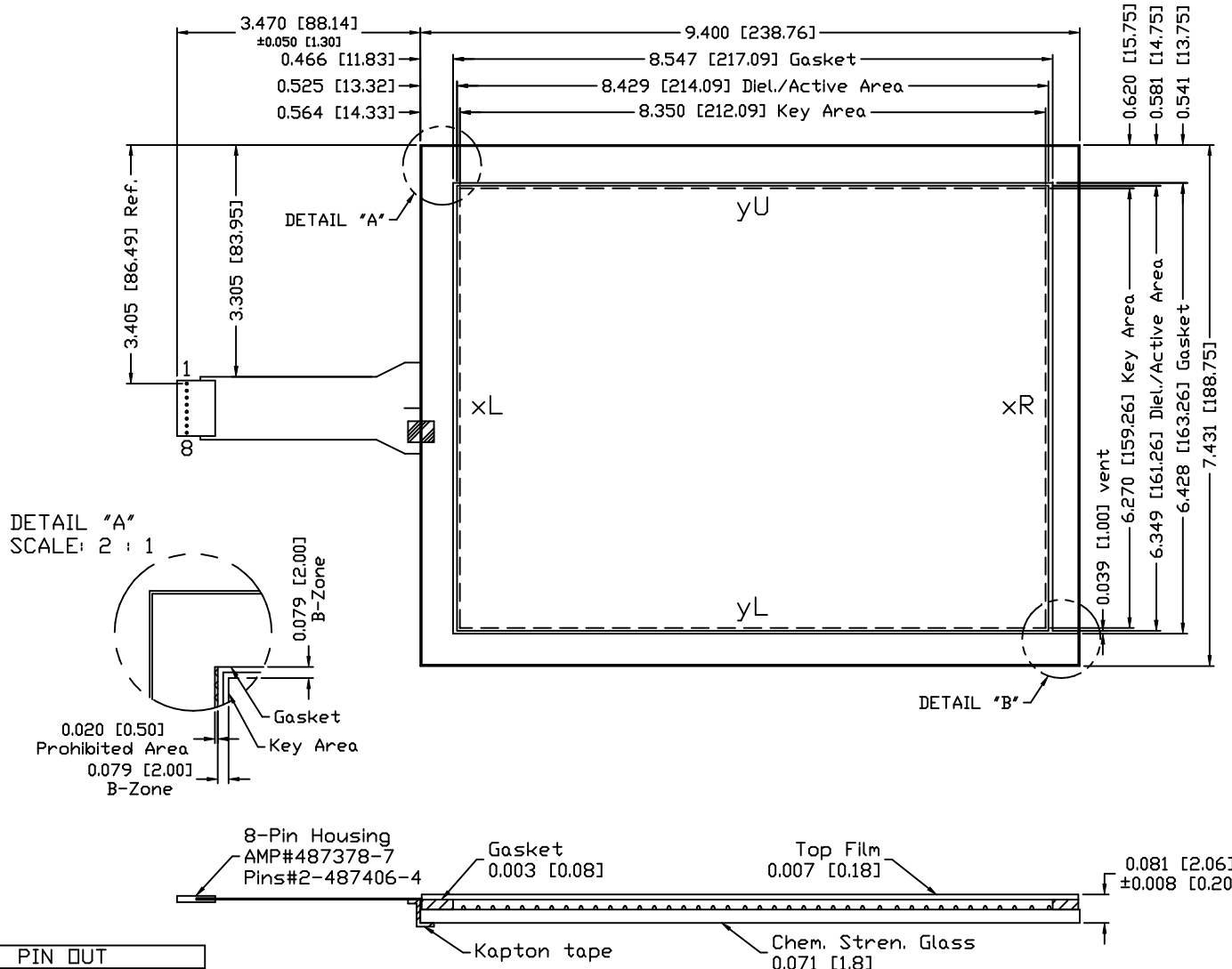
SENSOR SPECIFICATION

LINEARITY	ACTUATION FORCE	OPTICAL PER.
±1.5% AVE 3% MAX. DEV.	0.10 N (<10 g) Min., 0.80N (<80 g) Max. STYLUS: R0.8 TIP, FINGER: R3.0 TIP	79% TRANSPARENCY PER JIS K7361-1

REVISIONS		
LTR	DESCRIPTION	DATE
0	INITIAL RELEASE	08/30/07
1		
2		
3		
4		
5		
6		
7		

GENERAL NOTES:

1. TOP ELECTRODE OFFSET FROM GLASS PERIMETER 0.020 [0.50]
2. MAX. VOLTAGE & CURRENT:
5 VDC, LESS THEN 1mA AT CONTACT POINT FROM TOP LAYER TO BOTTOM LAYER.
3. OPERATION TEMPERATURE:
-10°C TO 60°C
4. OPERATION HUMIDITY:
< 40°C 20 - 95% RH NO DEW CONDENSATION ALLOWED
5. STORAGE TEMPERATURE:
-20°C TO 70°C
6. BEND FLEXTAIL > 2.0mm
NO SHARP CREASE
7. SURFACE HARDNESS:
3H AS PER JIS K 5400
8. COSMETIC INSPECTION:
GUNZE GRADE 3X
9. TERMINAL RESISTANCE:
YU-YL = 240-840Ω
XR-XL = 250-750Ω



PIN OUT		
1	XR	RIGHT EXCITE
2	XR REF	RIGHT SENSE
3	XL REF	LEFT SENSE
4	XL	LEFT EXCITE
5	YU	TOP EXCITE
6	YU REF	TOP SENSE
7	YL REF	BOT. SENSE
8	YL	BOT. EXCITE

CAD DRAWING		DEC. TOLERANCES:	
NOTICE		XXX = ±0.20	
THIS DRAWING REMAINS A PROPRIETARY DESIGN ORIGINATED BY GUNZE. TECHNOLOGIES CONFIDENTIAL AND SHALL NOT BE REPRODUCED, USED, OR REPLICATED FOR PROMOTION OR MANUFACTURING PURPOSES, UNLESS SPECIFICALLY APPROVED BY GUNZE ELECTRONIC USA CORPORATION. ALL PARTY RIGHTS RELATING HERETO ARE EXPRESSLY RESERVED FOR GUNZE ELECTRONIC USA CORPORATION. THIS NOTICE SHALL BE MARKED ON ALL REPRODUCTION EMBED IN TITLE OR PART.		[.XX] = ±0.50	
REV. CODE [MILLIMETERS]		ANGULAR TOL. = ±1'	
FORM:		FRAC. TOL. X/X = ±1/10	
RES-10.4-PLB			
RoHS COMPLIANT			

GUNZE USA	Gunze Electronics USA Corporation 2115 Wells Branch Parkway Austin, Texas 78728	
SENSOR, 10.4D 8-WIRE	PART NO. 100-0941	
SCALE: 1 : 1	CUSTOMER ID: GUNZE USA	
REV: 0	DATE: 08/30/07	