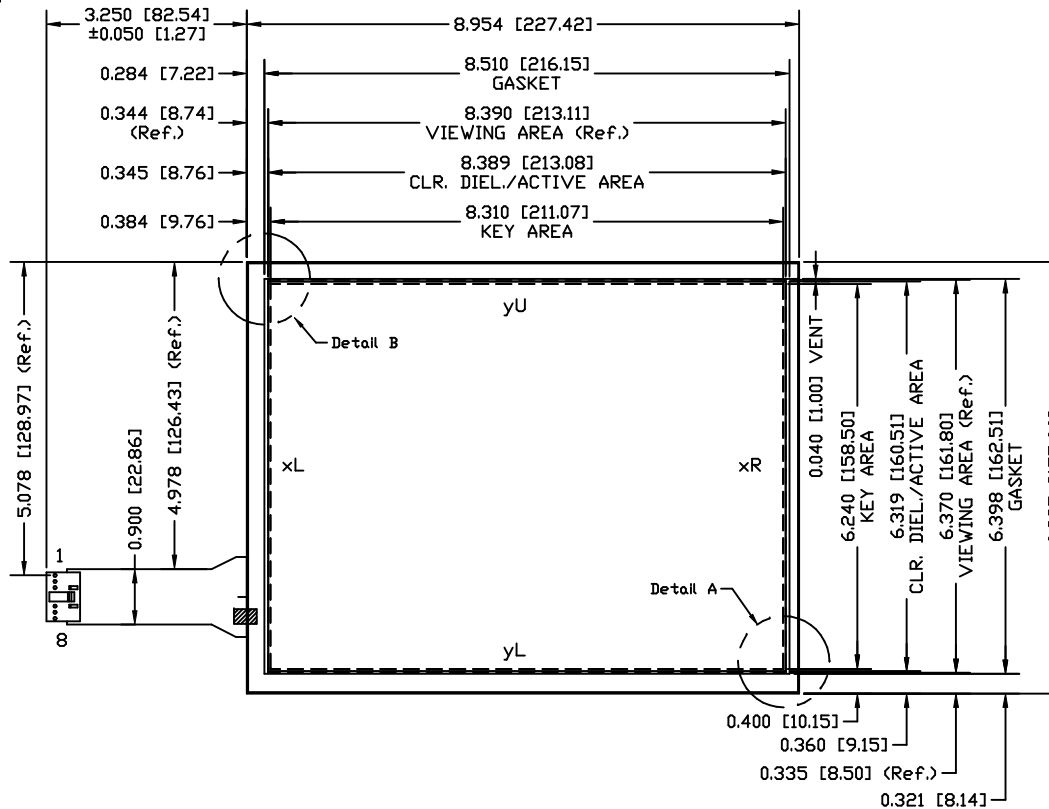
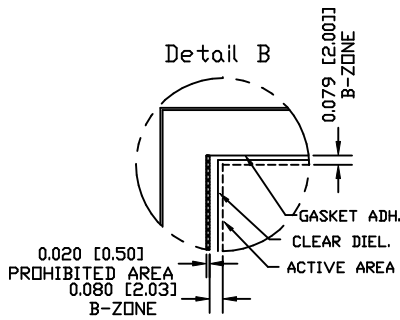


SENSOR SPECIFICATION

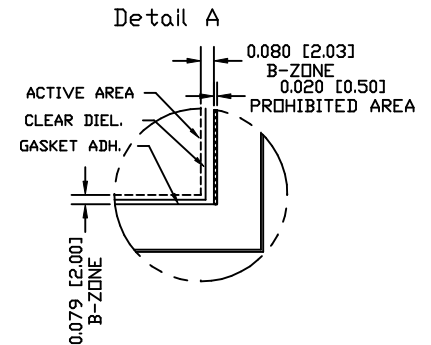
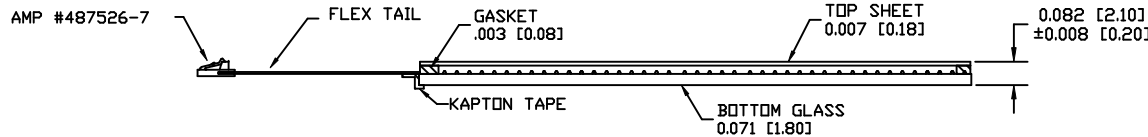
REVISIONS			
LTR	DESCRIPTION	DR (S/N)	DATE
0	PRELIMINARY DESIGN		01/26/07
1	ECD #270703		07/19/07
2			
3			
4			
5			
6			
7			

LINEARITY	ACTUATION FORCE	OPTICAL PER.
±1.5% AVE 3% MAX. DEV.	0.10 N (<10 g) Min., 0.8N (<80 g) Max. FINGER OR STYLUS, R0.8 TIP	79% TRANSPARENCY As per JIS K7361-1



GENERAL NOTES:

- TOPSHEET FROM BOTTOM OFFSET 0.020 [0.50] FROM PERIMETERS EDGE.
- MAX. VOLTAGE & CURRENT: 5 VDC, LESS THEN 1mA AT CONTACT POINT FROM TOP LAYER TO BOTTOM LAYER.
- COSMETIC INSPECTION: GUNZE GRADE 3X
- OPERATION TEMPERATURE: -10°C TO 60°C
- OPERATION HUMIDITY: < 40°C 20% to 95% RH NO CONDENSATION.
- STORAGE TEMPERATURE: -20°C TO 70°C
- FFC BEND R > 2.0mm.
- SURFACE HARDNESS 1H (As per JIS K 5400.)
- TERMINAL RESISTANCE:
xR-xL = 250-760 Ohms
yU-yL = 240-830 Ohms



PINOUT		
1	yU	T Exite
2	yU ref	T Sense
3	xL ref	L Sense
4	xL	L Exite
5	yL	B Exite
6	yL ref	B Sense
7	xR ref	R Sense
8	xR	R Exite

DRAWING INCOMPLETE WITHOUT BOM!

CADD DRAWING		DEC. TOLERANCES:		DATE	
NOTICE		.XXX = ±.020		PLONG 01/26/07	
<small>THIS DRAWING EMBODIES A PROPRIETARY DESIGN CONCEIVED BY GUNZE ELECTRONICS USA CORPORATION AND SHALL NOT BE REPRODUCED, USED, OR DISPATCHED FOR FULFILLMENT OF MANUFACTURING PURPOSES UNLESS SPECIFICALLY AUTHORIZED BY GUNZE ELECTRONICS USA CORPORATION. ALL PATENT RIGHTS RELATING HERETO ARE EXPRESSLY RESERVED FOR GUNZE ELECTRONICS USA CORPORATION. THIS NOTICE SHALL BE MARKED ON ANY REPRODUCTION HERETO IN WHOLE OR PART.</small>		ANGULAR TOL. = ±1°		DRIVER DRN. LHRUIZ 01/26/07	
		FRAC. TOL. X/X = ±1/16		MANUFACTURING APPROVAL	
<small>INCH CODE [MILLIMETERS]</small>		<small>MATERIAL SPEC.</small>		<small>PRODUCTION APPROVAL</small>	
RoHS COMPLIANT		QUALITY APPROVAL		<small>SHEET NO.</small>	
<small>DATE</small> 07/24/07		<small>SCALE</small>		<small>CONTRACT NO.</small> 100-0731	
<small>1 of 1</small>		<small>GEUC</small>		<small>SHEET NO.</small> 1 of 1	



**SENSOR 10.4D, 8-WIRE
(PL 8 10.4)**