

IND231/IND236

Weighing Terminal



METTLER TOLEDO

IND231/IND236

Weighing Terminal

METTLER TOLEDO Service

Essential Services for Dependable Performance of Your IND231/IND236 Weighing Terminal

Congratulations on choosing the quality and precision of METTLER TOLEDO. Proper use of your new equipment according to this Manual and regular calibration and maintenance by our factory-trained service team ensures dependable and accurate operation, protecting your investment. Contact us about a service agreement tailored to your needs and budget. Further information is available at www.mt.com/service.

There are several important ways to ensure you maximize the performance of your investment:

1. **Register your product:** We invite you to register your product at www.mt.com/productregistration so we can contact you about enhancements, updates and important notifications concerning your product.
2. **Contact METTLER TOLEDO for service:** The value of a measurement is proportional to its accuracy – an out of specification scale can diminish quality, reduce profits and increase liability. Timely service from METTLER TOLEDO will ensure accuracy and optimize uptime and equipment life.
 - a. **Installation, Configuration, Integration and Training:** Our service representatives are factory-trained, weighing equipment experts. We make certain that your weighing equipment is ready for production in a cost effective and timely fashion and that personnel are trained for success.
 - b. **Initial Calibration Documentation:** The installation environment and application requirements are unique for every industrial scale so performance must be tested and certified. Our calibration services and certificates document accuracy to ensure production quality and provide a quality system record of performance.
 - c. **Periodic Calibration Maintenance:** A Calibration Service Agreement provides on-going confidence in your weighing process and documentation of compliance with requirements. We offer a variety of service plans that are scheduled to meet your needs and designed to fit your budget.

© METTLER TOLEDO 2013

No part of this manual may be reproduced or transmitted in any form or by any means, electronic or mechanical, including photocopying and recording, for any purpose without the express written permission of METTLER TOLEDO.

U.S. Government Restricted Rights: This documentation is furnished with Restricted Rights.

Copyright 2013 METTLER TOLEDO. This documentation contains proprietary information of METTLER TOLEDO. It may not be copied in whole or in part without the express written consent of METTLER TOLEDO.

METTLER TOLEDO reserves the right to make refinements or changes to the product or manual without notice.

COPYRIGHT

METTLER TOLEDO® is a registered trademark of Mettler-Toledo, LLC. All other brand or product names are trademarks or registered trademarks of their respective companies.

METTLER TOLEDO RESERVES THE RIGHT TO MAKE REFINEMENTS OR CHANGES WITHOUT NOTICE.

FCC Notice

This device complies with Part 15 of the FCC Rules and the Radio Interference Requirements of the Canadian Department of Communications. Operation is subject to the following conditions: (1) this device may not cause harmful interference, and (2) this device must accept any interference received, including interference that may cause undesired operation.

This equipment has been tested and found to comply with the limits for a Class A digital device, pursuant to Part 15 of FCC Rules. These limits are designed to provide reasonable protection against harmful interference when the equipment is operated in a commercial environment. This equipment generates, uses, and can radiate radio frequency energy and, if not installed and used in accordance with the instruction manual, may cause harmful interference to radio communications. Operation of this equipment in a residential area is likely to cause harmful interference in which case the user will be required to correct the interference at his or her expense.

- Declaration of Conformity is located on the documentation CD.

RoHS Compliance Statement.

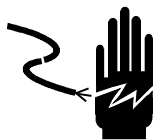
- The majority of our products fall within categories 8 and 9. Those categories currently do not fall within the scope of the Directive 2002/95/EG (RoHS) of January 27, 2003. If our products are intended for use in other products which themselves fall within the scope of the RoHS Directive, compliance requirements have to be separately negotiated contractually.
- Those products which fall within categories 1-7 and 10 will be in compliance with the EU RoHS Directive from no later than July 1, 2006.
- If it is not possible for technical reasons to replace any non-RoHS-compliant substances in any of the above products as required, we plan to inform our customers in a timely manner

Statement regarding harmful substances

We do not make direct use of harmful materials such as asbestos, radioactive substances or arsenic compounds. However, we purchase components from third party suppliers, which may contain some of these substances in very small quantities.

Warnings and Cautions

- READ this manual BEFORE operating or servicing this equipment and FOLLOW these instructions carefully.
- SAVE this manual for future reference.



WARNING

FOR CONTINUED PROTECTION AGAINST SHOCK HAZARD CONNECT THE AC VERSION OF THE IND231/IND236 TERMINAL TO PROPERLY GROUNDED OUTLET ONLY. DO NOT REMOVE THE GROUND PRONG.



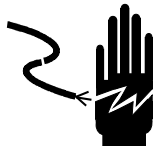
WARNING

ONLY PERMIT QUALIFIED PERSONNEL TO SERVICE THE TERMINAL. EXERCISE CARE WHEN MAKING CHECKS, TESTS AND ADJUSTMENTS THAT MUST BE MADE WITH POWER ON. FAILING TO OBSERVE THESE PRECAUTIONS CAN RESULT IN BODILY HARM AND/OR PROPERTY DAMAGE.



WARNING

THE IND231/IND236 IS NOT DESIGNED FOR USE IN AREAS CLASSIFIED AS HAZARDOUS BECAUSE OF COMBUSTIBLE OR EXPLOSIVE ATMOSPHERES. DO NOT INSTALL AN IND231/IND236 INTO AN EXPLOSIVE ENVIRONMENT.



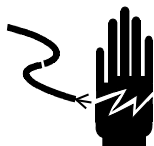
WARNING

WHEN THIS EQUIPMENT IS INCLUDED AS A COMPONENT PART OF A SYSTEM, THE RESULTING DESIGN MUST BE REVIEWED BY QUALIFIED PERSONNEL WHO ARE FAMILIAR WITH THE CONSTRUCTION AND OPERATION OF ALL COMPONENTS IN THE SYSTEM AND THE POTENTIAL HAZARDS INVOLVED. FAILURE TO OBSERVE THIS PRECAUTION COULD RESULT IN BODILY HARM AND/OR PROPERTY DAMAGE.



CAUTION

THE NiMH BATTERY USED IN THIS DEVICE MAY PRESENT A RISK OF FIRE OR CHEMICAL BURN IF MISTREATED. DO NOT CRUSH, DISASSEMBLE, HEAT ABOVE 60°C OR INCINERATE. REPLACE BATTERY WITH 30044650 ONLY. USE OF ANOTHER BATTERY MAY PRESENT A RISK OF BURN, FIRE OR EXPLOSION.



CAUTION

USE CAUTION WHEN TESTING THE BATTERY. A LARGE AMOUNT OF CURRENT MAY BE PRESENT IN THE BATTERY.



CAUTION

DISPOSE OF USED BATTERY PROMPTLY. KEEP AWAY FROM CHILDREN. DO NOT DISASSEMBLE AND DO NOT DISPOSE OF IN FIRE.



CAUTION

BEFORE CONNECTING/DISCONNECTING ANY INTERNAL ELECTRONIC COMPONENTS OR INTERCONNECTING WIRING BETWEEN ELECTRONIC EQUIPMENT ALWAYS REMOVE POWER AND WAIT AT LEAST THIRTY (30) SECONDS BEFORE ANY CONNECTIONS OR DISCONNECTIONS ARE MADE. FAILURE TO OBSERVE THESE PRECAUTIONS COULD RESULT IN DAMAGE TO OR DESTRUCTION OF THE EQUIPMENT AND/OR BODILY HARM.

NOTICE

DO NOT ATTEMPT TO CHARGE THE NI-MH BATTERY IF THE BATTERY TEMPERATURE IS BELOW 0°C (32°F). CHARGING IS NOT POSSIBLE AT OR BELOW THIS TEMPERATURE. DO NOT OPERATE THE BATTERY CHARGER OUTSIDE ITS TEMPERATURE RANGE OF 0°C (32°F) TO 40°C (104°F).

NOTICE

TO AVOID DAMAGE TO THE PCB OR LOAD CELL, REMOVE POWER FROM THE IND231/IND236 TERMINAL AND WAIT AT LEAST 30 SECONDS BEFORE CONNECTING OR DISCONNECTING ANY HARNESS.



NOTICE

OBSERVE PRECAUTIONS FOR HANDLING ELECTROSTATIC SENSITIVE DEVICES.

Disposal of Electrical and Electronic Equipment

In conformance with the European Directive 2002/96/EC on Waste Electrical and Electronic Equipment (WEEE) this device may not be disposed of in domestic waste. This also applies to countries outside the EU, per their specific requirements.



Please dispose of this product in accordance with local regulations at the collecting point specified for electrical and electronic equipment.

If you have any questions, please contact the responsible authority or the distributor from which you purchased this device.

Should this device be passed on to other parties (for private or professional use), the content of this regulation must also be related.

Thank you for your contribution to environmental protection.

Contents

1	Introduction	1-1
1.1.	IND231/IND236 Overview	1-1
1.1.1.	Standard Features	1-1
1.1.2.	IND231/IND236 Terminal Types	1-2
1.2.	Use in Hazardous Areas.....	1-2
1.3.	Specifications	1-2
1.4.	Model Identification	1-4
1.5.	Inspection and Contents Checklist	1-5
1.6.	Physical Dimensions.....	1-5
1.7.	Main PCB	1-6
1.8.	Scale Bases	1-7
1.9.	Options.....	1-7
1.9.1.	Isolated Serial interface RS232/RS422/RS485.....	1-7
1.9.2.	Discrete I/O.....	1-7
1.9.3.	USB	1-7
1.10.	Display and Keyboard	1-8
1.10.1.	Display Layout.....	1-8
1.10.2.	Front Panel Keys	1-8
2	Installation	2-1
2.1.	Opening the Enclosure.....	2-1
2.2.	Environmental Protection	2-2
2.3.	Mounting the Terminal	2-3
2.3.1.	IND231 Mounting	2-3
2.3.2.	IND236 Mounting	2-4
2.4.	Installing Cables and Connectors	2-5
2.4.1.	Connectors and Cable Glands.....	2-6
2.4.2.	PCB Identification	2-8
2.4.3.	Main Board Wiring Connections.....	2-8
2.4.4.	AC Power Connection	2-9
2.4.5.	Analog Load Cell Connection	2-10
2.4.6.	COM1 Serial Port Connection.....	2-16
2.4.7.	Wiring Connections for Options.....	2-16
2.5.	Capacity Label Instructions.....	2-21
2.6.	Closing the Enclosure	2-22
2.6.1.	Torque Specifications for Enclosure Fasteners.....	2-22
2.7.	Sealing the Enclosure	2-22



Contents

1 Introduction

This chapter covers

- Overview of IND231/IND236
- Use in Hazardous Areas
- Specifications
- Model Identification
- Inspection and Contents Checklist
- Physical Dimensions
- Main PCB
- Scale Bases
- Options
- Display and Keyboard

The IND231/IND236 industrial scale terminal provides a compact yet flexible solution for a variety of weighing needs. Available as either AC powered for stationary applications or battery-powered for portable applications, this terminal is at home in virtually any industrial environment.

Both 2mv/V and 3mv/V load cells are supported without the need for any configuration change. The IND231/IND236 delivers precision measurement data from grams to kilograms in a single, cost effective package.

Standard applications include basic weighing, animal weighing, Over/Under checkweighing, counting and accumulation. Pre-defined application-specific print templates including date and time stamp, provide transmission of weighing transaction information to printers and PC software applications.

1.1. IND231/IND236 Overview

1.1.1. Standard Features

- Easy to handle plastic enclosure design for the IND231, rugged stainless steel enclosure for the IND236
- Supports one analog load cell platform with up to four 350Ω load cells
- Can be used as a remote display to show weight from a separate main terminal
- Large seven segment LCD display with white backlight and graphic icons for clear readability in varying light conditions
- Powered by either 85–264 V AC or internal battery pack
- One standard serial port (COM1) for asynchronous, bidirectional communication
- Support for one of the following option boards:
 - COM2 electrically isolated RS232, RS422 and RS485 serial Interface
 - USB device Interface for connection to a PC
 - Discrete I/O interface
- Front panel key access to basic weighing functions – zero, tare, clear, configurable function and print
- Selectable primary unit of measure including grams, kilograms, pounds and ounces
- Selectable second unit of measure including grams, kilograms, pounds and ounces



- Backup and restore of configuration and calibration settings, using InSite® SL tool
- Automatic shutoff and backlight timeout features to help conserve energy and extend battery life when using the battery powered version

1.1.2. IND231/IND236 Terminal Types

The terminal is available in the following four versions:

- IND231 plastic housing, AC power (also designed for use with AA size alkaline cells)
- IND231 plastic housing, Rechargeable Ni-MH Battery power
- IND236 stainless steel housing, AC power
- IND236 stainless steel, Rechargeable Ni-MH battery power

1.2. Use in Hazardous Areas

	 WARNING
	DO NOT USE THE IND231/IND236 TERMINAL IN AREAS CLASSIFIED AS HAZARDOUS BECAUSE OF COMBUSTIBLE OR EXPLOSIVE ATMOSPHERES. CONTACT AN AUTHORIZED METTLER TOLEDO REPRESENTATIVE FOR INFORMATION ABOUT HAZARDOUS AREA APPLICATIONS.

1.3. Specifications

The IND231 and IND236 terminal conforms to the specifications listed in Table 1-1.

Table 1-1: Terminal Specifications

Specifications	IND231	IND236
Enclosure Type	Plastic, configurable as desk top or column/wall mount enclosure	Stainless steel, configurable as desk top or column/wall mount enclosure
Product Dimensions (w × h × d)	220 mm x 150 mm x 102 mm (8.66 in. x 5.90 in. x 4.02 in.)	220 mm x 150 mm x 93.3 mm (8.66 in. x 5.90 in. x 3.67 in.)
Shipping Dimensions (w × h × d)	350 mm x 220 mm x 195 mm (13.78 in. x 8.66 in. x 7.68 in.)	
Product Weight	AC Version: 1.2 kg (2.6 lb) Battery Version: 1.5 kg (3.3lb)	AC Version: 2.2 kg (4.9 lb) Battery Version: 2.5 kg (5.5 lb)
Shipping Weight	2.0 kg	3.0 kg
Environmental Protection	IP54	IP66/67
Operating Environment	Operating temperature range: -10 °C to +40 °C Storage temperature range: -20 °C to +60 °C Relative Humidity: 10-95%, non-condensing.	

Specifications	IND231	IND236
Hazardous Areas	The terminal cannot be operated in areas classified as Hazardous because of combustible or explosive atmospheres in those areas. Contact an authorized METTLER TOLEDO representative for information about hazardous area applications.	
Power	AC version: Operates at 85–264 VAC, 49–61 Hz and includes a power cord configured for the country of use.	
	Battery version : Six "AA" size alkaline batteries or NiMH rechargeable battery pack (about 120hrs for one load cell)	Battery version : NiMH rechargeable battery (about 120hrs for one load cell)
Display	40 mm height character, seven digits seven segment LCD with white backlight including weight display, weight units, gross/net indication and symbols for motion, center of zero and variable applications	
Weight Display	Maximum displayed resolution of 30,000 divisions	
Scale Types	Analog load cells	
Number of Cells	Up to four 350 ohm load cells(2 or 3 mV/V)	
Number of Scales	One	
Analog/Digital Update Rate	Internal analog: 80 Hz	
Load Cell Excitation Voltage	5 VDC	
Minimum Sensitivity	0.5 μ V/e	
Keypad	Seven keys: Zero, Tare, Clear, On/Off, Print, F1 & F2 (configurable)	
Communication options	<p>Serial Interfaces</p> <p>Standard: One serial port (COM1) RS-232, 1,200 to 115,200 baud Optional isolated serial port: (COM2) RS-232/422/485, 1,200 to 115,200 baud</p> <p>Discrete I/O Interface</p> <p>Optional Discrete I/O port: 2 inputs/4 outputs</p> <p>USB Interface</p> <p>Optional USB device port</p> <p>Protocol</p> <p>Serial Inputs: ASCII commands for CTPZ (Clear, Tare, Print, Zero), SICS (most level 0 and level 1 commands)</p>	
Application	Zero, Tare, Print, X10, Date & Time, Basic weighing, Animal weighing, Counting with APW enhancement, Over/Under checkweighing with 10 records database, Accumulation, Remote display	

Specifications	IND231	IND236
Approvals	Weights and Measures, USA: NTEP Class III/IIIL - 10,000d; Cert. #13-049, Canada: Class III - 10,000d; Class IIIHD - 20,000d, Europe: Class III, 2 x 3000e and 6000e; TC8351, T5976 OIML: Class III, 2 x 3000e and 6000e; R76/2006-NL1-13.06 Product Safety UL, cUL, CE	
Accessories	Wall mount/column mount bracket; desk bracket.	

1.4. Model Identification

The IND231/IND236 model number, factory number and serial number are located on the data plate of the terminal. Refer to Figure 1-1 to verify the configuration of the IND231/IND236 terminal when it left the METTLER TOLEDO factory.

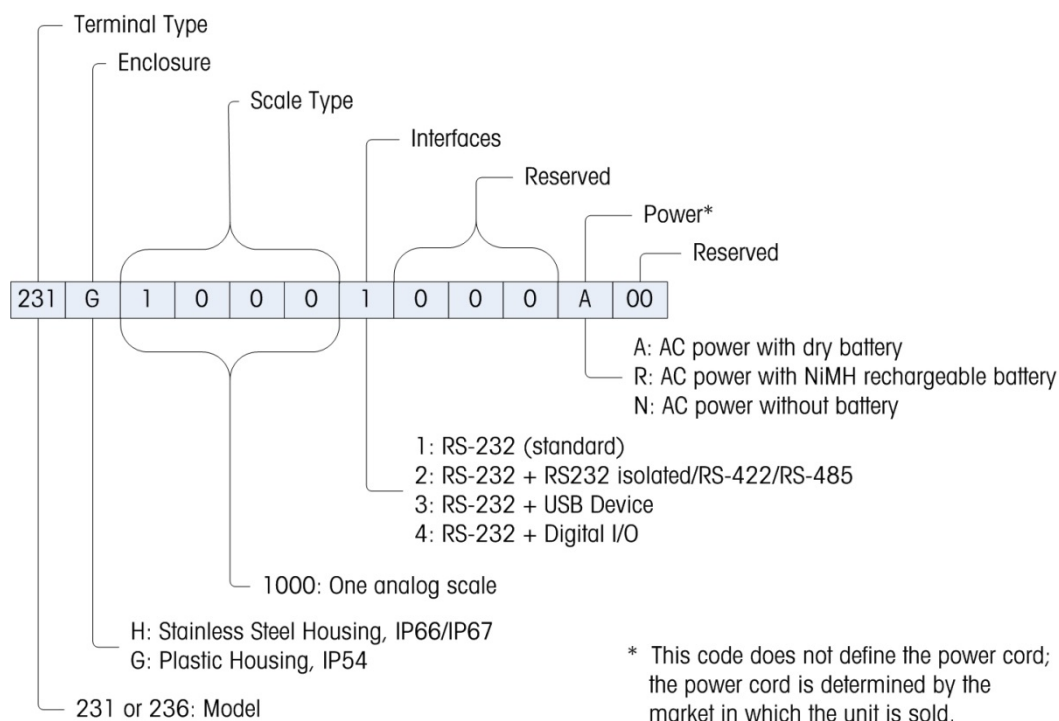


Figure 1-1: IND231 Configuration Chart

1.5. Inspection and Contents Checklist

Verify the contents and inspect the package immediately upon delivery. If the shipping container is damaged, check for internal damage and file a freight claim with the carrier if necessary. If the container is not damaged, remove the terminal from its protective package, noting how it was packed, and inspect each component for damage.

If shipping the terminal is required, it is best to use the original shipping container. The terminal must be packed correctly to ensure its safe transportation.

The package should include:

- IND231 or IND236 Terminal
- Installation Manual (or Safety Instructions)
- Power cord
- Bag of miscellaneous parts
- User manual (or resource CD)
- Battery Pack (battery version only)
- Mounting brackets (1)

1.6. Physical Dimensions

The physical dimensions of the IND231/IND236 enclosure are shown in Figure 1-2 and Figure 1-3 in mm and [inches].

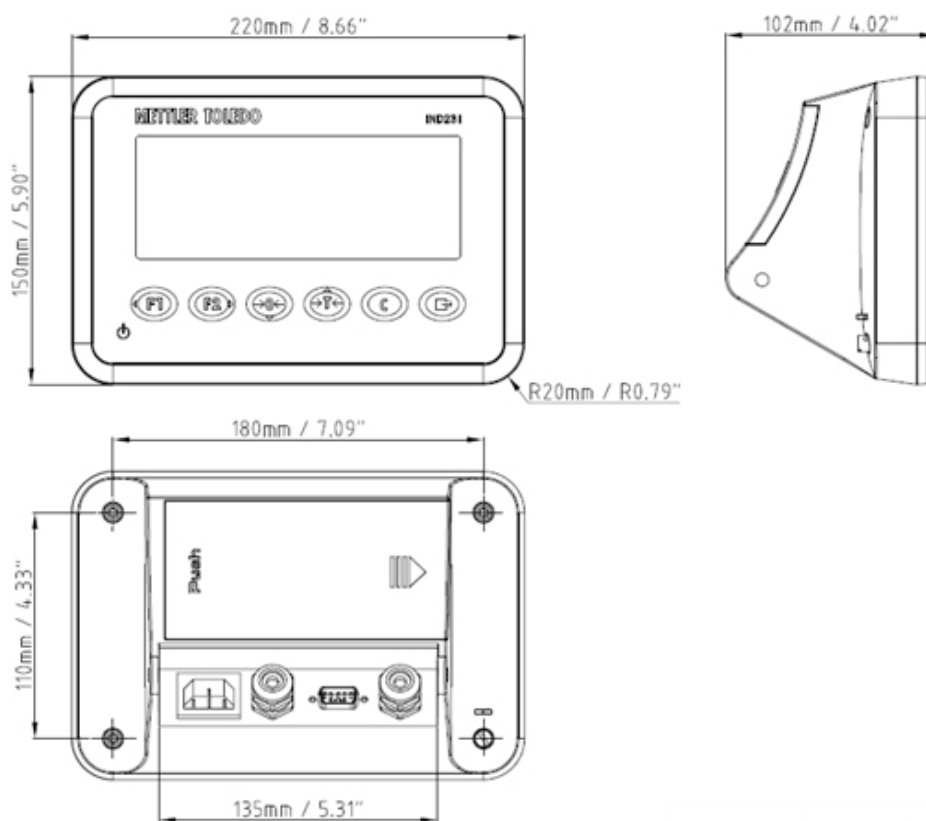


Figure 1-2: IND231 Enclosure Dimensions

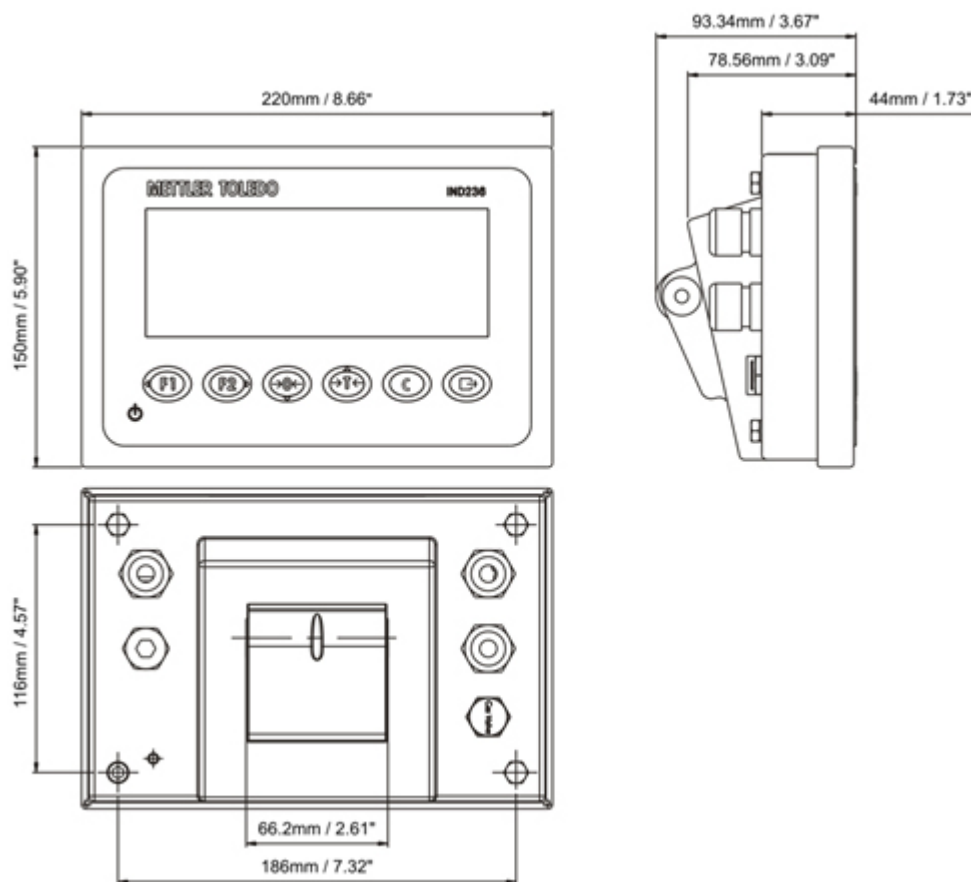


Figure 1-3: IND236 Enclosure Dimensions

1.7. Main PCB

The IND231/IND236 terminal's main printed circuit board (PCB) provides the analog load cell scale interface, as well as the COM1 RS-232 serial port. The COM1 RS-232 serial port supports bi-directional communications at speeds up to 115200 bps. This port can be used for saving terminal configuration data to a PC via the InSite[®] SL tool.

The main board also contains the DC power input connection, display interface, keypad interface, and interface port for the options.

An AC/DC power board supplies the terminal with DC +12V/1A output.

An optional charging board is included with the rechargeable battery powered version.

1.8. Scale Bases

The IND231/IND236 terminal supports analog scale bases and provides 5 volts of excitation to drive analog load cells. Up to four 350 Ω load cells can be powered by the terminal.

A four- or six-wire load cell connection is provided, with sense lines to help maintain accuracy as the load cell cable resistance changes due to variations in temperature.

1.9. Options

Three kinds of option interface can be mounted on COM2. The connection pin specifications are printed on the PCB.

The following options are available for the IND231 and IND236.

1.9.1. Isolated Serial interface RS232/RS422/RS485

This optional port provides RS-232 and RS-422/485 communication which can be configured in setup. The port is bidirectional and can be used for various functions such as print, auto print, Toledo continuous output or SICS communications.

The COM2 port is galvanically isolated for both RS-232 and RS-485, to provide surge voltage protection.

The RS-485 connection can be used as an RS-422 transmit only, when sending continuous output to a scoreboard or remote display.

The interface RS422/485 is required for data transmission with higher baud rate over longer distances up to 500 m.

Communication settings can be configured in the terminal setup menu.

1.9.2. Discrete I/O

The discrete I/O interface option provides four dry-contact relay outputs. The relay contacts will switch up to 30 volts DC or 250 volts AC at 1A.

The two inputs are switch selectable as either active (for simple pushbutton control) or passive (for connection to devices that supply their own power for the inputs).

1.9.3. USB

The USB port provided is a UART-USB device bridge acting as a virtual COM port, and is used for communication of serial data to devices such as a PC. The port is bidirectional and can be configured for various functions such as print, auto print, Toledo continuous output or SICS communications. USB external keyboards and bar code scanners are not supported.

1.10. Display and Keyboard

IND231/IND236 uses a transfective type segment LCD display with a white backlight. The main character height is 40 mm. The front panel, including display and keypad, is shown in Figure 1-4. The only keypad difference between IND231 and IND236 is the name on the upper right corner of the terminal.

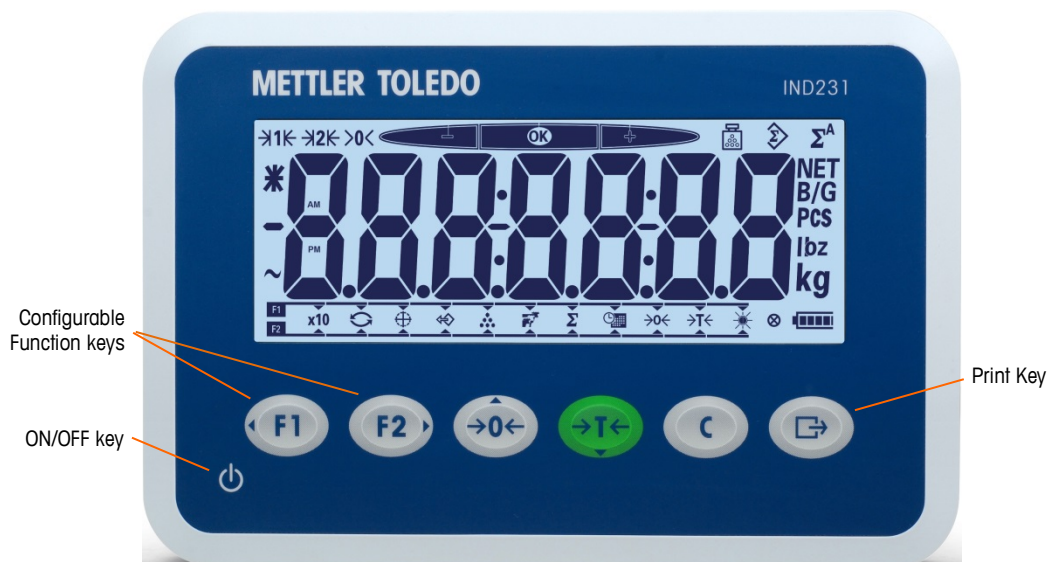


Figure 1-4: IND231 Front Panel Layout

1.10.1. Display Layout

At the top of display, a single system line displays terminal status such as range number, center of zero, checkweighing status, counting, accumulation and auto accumulation.

Below the system line is the weight display block. During normal, basic weighing operation, the terminal display shows the gross or net weight in the larger 40 mm (1.57 in.) size. When one of the applications is running, prompting messages or menu index characters are also shown in 40 mm (1.57 in.) height. At the right of weight display is a vertical column displaying the gross and net symbols, average piece symbol, and weight units. The star symbol, minus symbol and dynamic symbol appear in a column to the left of the weight display block.

At the bottom of the normal basic weighing display is a block used for assigning functions to **F1** and **F2**. For display and keypad operation during setup, refer to Chapter 3 in the **User's Guide, Configuration**.

1.10.2. Front Panel Keys

The IND231/IND236 terminal operator interface provides a total of seven membrane keys. The print key and five scale function keys (three with fixed function, two with configurable functions) are positioned under the display.

Arrows on the first four keys indicate their use in menu navigation.

The ON/OFF key is located at the bottom left of the display. These keys are used to enter the setup menu, to navigate and select setup elements as described in Chapter 2 of the **User's Guide, Operation**.

2 Installation

This chapter covers

- Opening the Enclosure
- Environmental Protection
- Mounting the Terminal
- Installing Cables and Connections
- Capacity Label Instructions
- Closing the Enclosure
- Sealing the Enclosure

This chapter provides installation instructions for the IND231/IND236 terminal. Please read these procedures thoroughly before beginning installation.

This section includes details about opening and mounting the enclosure, and explains how to install cables and PCBs. Instructions for labeling, closing and sealing the enclosure are also provided.

2.1. Opening the Enclosure

CAUTION

BEFORE CONNECTING/DISCONNECTING ANY INTERNAL ELECTRONIC COMPONENTS OR INTERCONNECTING WIRING BETWEEN ELECTRONIC EQUIPMENT ALWAYS REMOVE POWER AND WAIT AT LEAST THIRTY (30) SECONDS BEFORE ANY CONNECTIONS OR DISCONNECTIONS ARE MADE. FAILURE TO OBSERVE THESE PRECAUTIONS COULD RESULT IN DAMAGE TO OR DESTRUCTION OF THE EQUIPMENT AND/OR BODILY HARM.

The front panel of the IND231/IND236 terminal is locked in place by four screws which attach it to the rear housing of the enclosure. To access the terminal's PCB in order to install options, connect internal wiring and set switches, separate the front panel from the enclosure as follows:

1. For IND231, use a T-20 torx screwdriver to loosen three of the screws. Use a slotted screwdriver to loosen the sealing screw, indicated in Figure 2-1.



Figure 2-1: IND231 Screws (left) and IND236 Sealing Screw (right)

2. For IND236, use a 10mm socket wrench to loosen three of the screws. Use a 5mm Allen Head insert screwdriver to loosen the sealing screw, indicated in Figure 2-2. Note that the screws are captive, and remain attached to the rear cover of the IND236.



Figure 2-2: Opening the Enclosures – IND231 (left) and IND236 (right)

3. Separate the front housing from the rear housing, as shown in Figure 2-3.

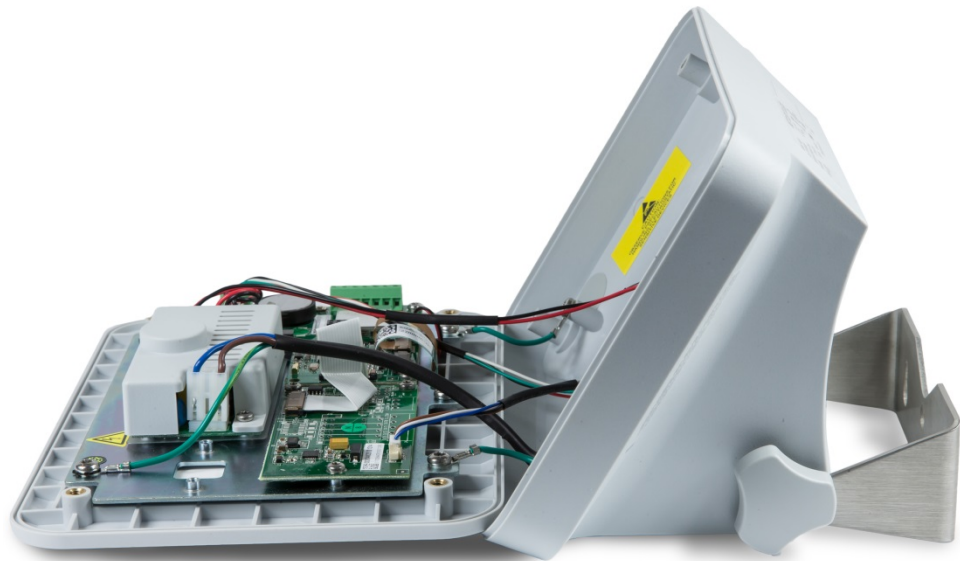


Figure 2-3: Removing the Cover

2.2. Environmental Protection



! WARNING

THE IND231/IND236 IS NOT DESIGNED FOR USE IN AREAS CLASSIFIED AS HAZARDOUS BECAUSE OF COMBUSTIBLE OR EXPLOSIVE ATMOSPHERES. DO NOT INSTALL AN IND231/IND236 INTO AN EXPLOSIVE ENVIRONMENT.

The IND231/IND236 terminal is designed for standard industrial use. IND231 has been tested and found to meet IP54 standards. The IND236 meets the requirements of IP66/IP67.

2.3. Mounting the Terminal

The terminal can be placed on a desktop, attached to a vertical surface or fastened to a column. Mount the terminal where viewing is optimal and the terminal keypad is easily accessible.

2.3.1. IND231 Mounting

2.3.1.1. Desktop Mounting

The IND231 has two self-adhesive rubber feet (Figure 2-4) attached to the bottom of the housing to prevent sliding.



Figure 2-4: IND231 – Rubber Feet

2.3.1.2. Wall Mounting & Column Mounting

One mounting bracket and two tightening knobs are included with the IND231. These can be used to mount the terminal either to a column or to a vertical surface.

1. Use two bracket hand knobs to attach the brackets to the bottom of the terminal, as shown in Figure 2-5.

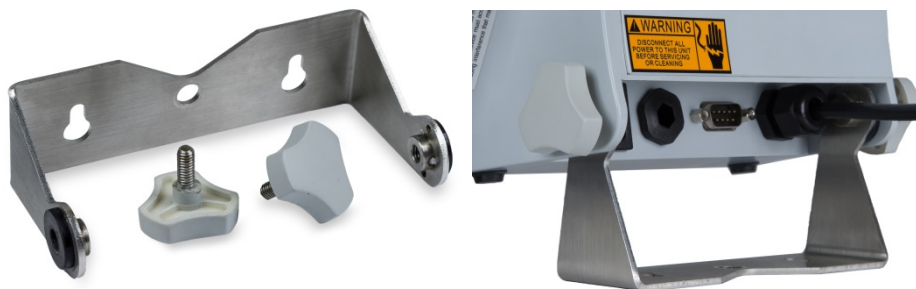


Figure 2-5: Bracket and Tightening Knobs

2. The bracket allows a wide range of adjustment, as shown in Figure 2-6.

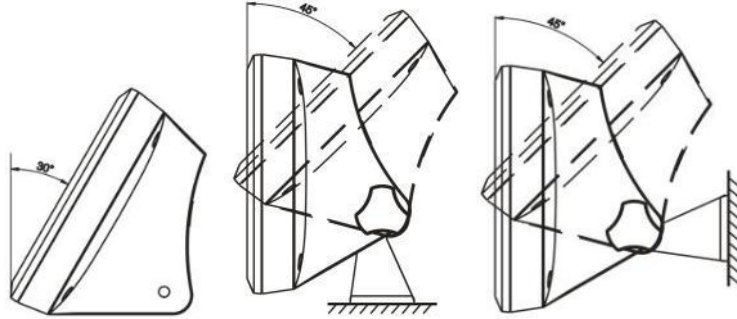


Figure 2-6: Adjusting the Bracket for Mounting on Wall or Column

3. Mark the position of the bracket mounting holes on the surface to which the terminal will be mounted using the dimensions shown in Figure 2-7, or by holding the terminal up to the surface and marking through the bracket holes.

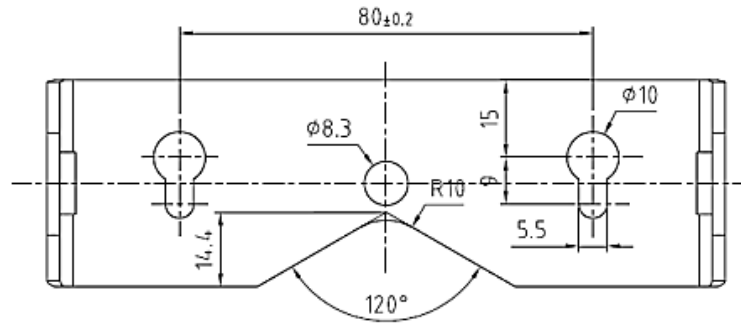


Figure 2-7: Hole Pattern Template for Mounting Brackets

4. The hardware to mount the terminal bracket is not included with the terminal—it must be supplied locally. Ensure that the mounting hardware is capable of supporting the weight of the terminal, which is approximately 2.0 kg (4.4 lb). Using the locally supplied hardware, secure the terminal bracket to the surface.

2.3.2. IND236 Mounting

2.3.2.1. Desktop Mounting

When the IND236 terminal will be mounted on a flat surface, an optional desktop mounting bracket (PN: 22021070) is available for purchase.

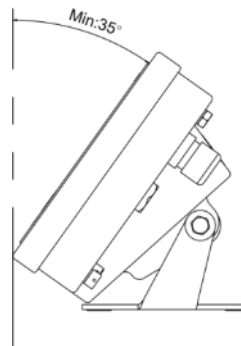


Figure 2-8: IND236 with desktop mounting Brackets

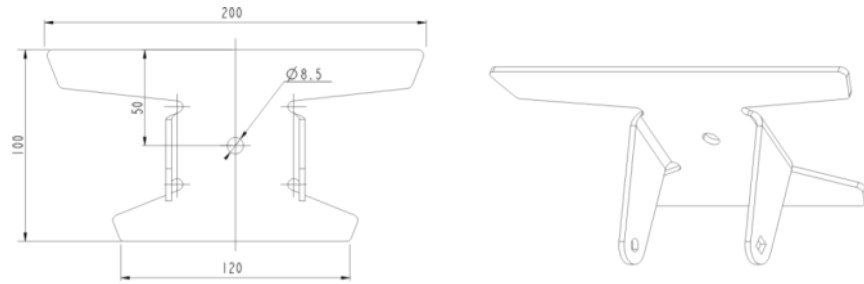


Figure 2-9: IND236 desktop Bracket Dimensions

2.3.2.2. Wall Mounting & Column Mounting

One mounting bracket is included with the IND236. This can be used to mount the terminal either to a column or to a vertical surface. The bracket allows a wide range of adjustment, as shown in Figure 2-10.

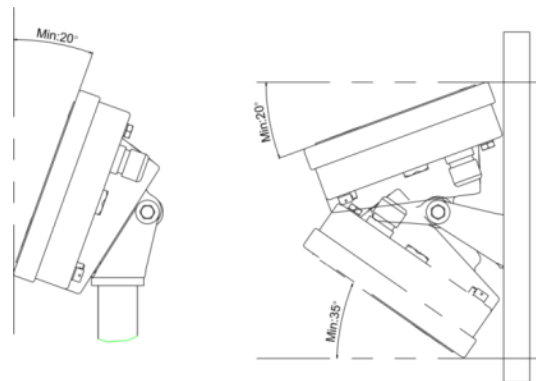


Figure 2-10: IND236 Mounted to Column (left) and Wall (right)

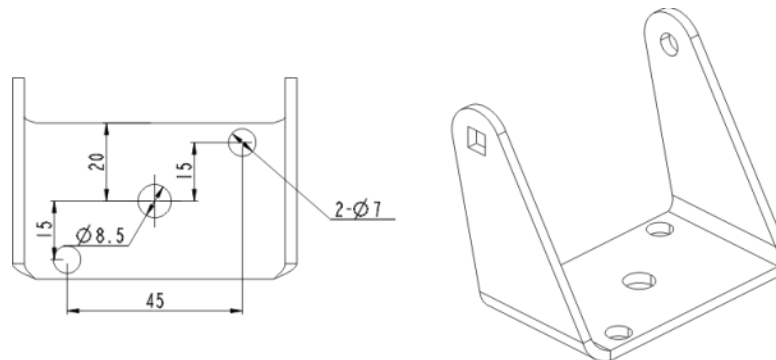


Figure 2-11: IND236 Wall and Column Bracket Dimensions

2.4. Installing Cables and Connectors

Information for installing cables and connectors for the IND231/IND236 terminal is provided in this section, including the following:

- Connectors and Cable Glands
- Enclosure Opening Assignments

- PCB Identification
- Main Board Wiring Connections
- AC Power Connection
- Charging Board and Rechargeable Battery Pack Connections
- Analog Load Cell connection
- COM1 Serial Port Connection
- Wiring Connections for Options

2.4.1. Connectors and Cable Glands

The IND231 uses standard (IEC320 C14) power socket and DSUB-9 connectors for RS-232 communication. Cable glands are used for load cell and option connections.

The IND236 terminal is designed to withstand severe wet environments. However, care must be taken when installing cables and/or connectors that enter the terminal enclosure. To ensure a watertight seal:

- Before connecting wires, pass the cables through an appropriately sized cable gland. Figure 2-12 shows a cable gland with its clamping nut removed.



Figure 2-12: Cable Gland

- Depending upon the diameter of the cable to be installed, select (Table 2-1) one of the rubber grommets (if required) to properly seal around the cable.

Table 2-1: Gland, Grommet and Cable Sizes

Grommet	Cable Diameter	
	IND231 Load Cell Cable Gland	IND236 and Option Cable Gland
None	4–8 mm	5–10 mm
Small grommet	3–6.5 mm	4.5–6.8 mm

- When making cable terminations inside the enclosure, ensure that the cable length from the terminal strip/connector to the terminal housing is sufficient so that no strain is placed on the connector assembly when the housing is in the fully open position.

- After making the wiring connections described in the next section, ensure that the nut on the cable gland is tightened properly to seal around the cable. The seal must be watertight.

2.4.1.1. Enclosure Opening Assignments

The Figure 2-13 shows the openings in the IND231 enclosure.



Figure 2-13: IND231 Enclosure Openings

Figure 2-14 shows the openings in the IND236 enclosure and Table 2-2 indicates the assignment of each opening.



Figure 2-14: IND236 Enclosure Openings

Table 2-2: Connectors and Cable Gland Assignments

Position	Assignment		
	Standard connection	Optional connection	
1	AC Power Cord	-	
2	None (option port)	Isolated RS-232/422/485	USB Discrete I/O
3	COM1 (RS-232)	-	
4	Load Cell Cable	-	

2.4.2. PCB Identification

The IND231/IND236 terminal circuit boards all mount on the PCB support assembly. The AC connection board is only needed for the IND236. The charging board is only used for terminals powered by a rechargeable battery pack. The option boards all mount in the same location. Figure 2-15 shows the location of each type of board.

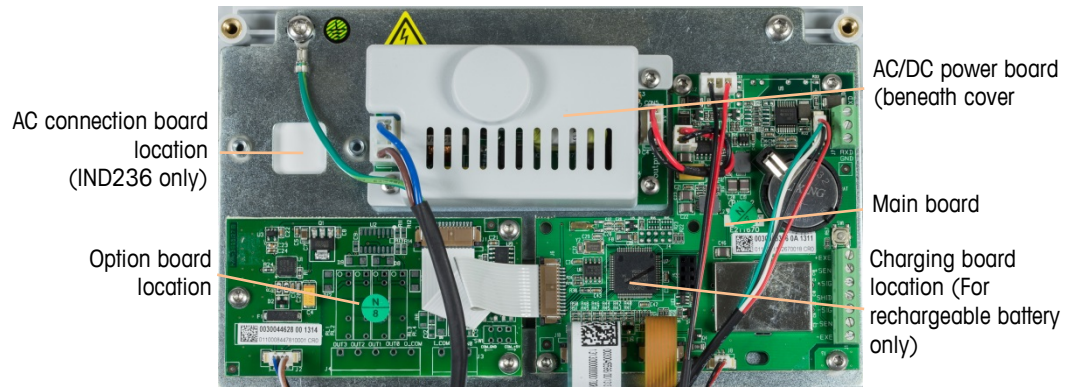


Figure 2-15: Circuit Board Locations

2.4.3. Main Board Wiring Connections

The Figure 2-16 shows the assignment of connectors on the main board. Be sure to attach cables to the correct socket.

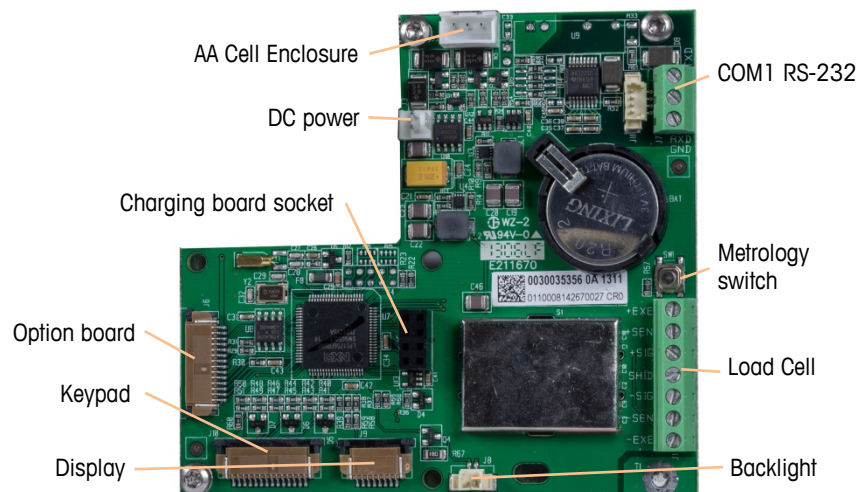


Figure 2-16: Main Board Connections

The metrology switch is a momentary contact switch. When it is pressed, the terminal enters setup at the F1 Scale settings menu, where scale parameters can be configured. **This is the only method to change scale parameters in an approved terminal.** Refer to the **Entering Setup Mode** and **Scale I Type Approval** sections in Chapter 3 of the **User's Guide, Configuration**, for more details.

2.4.4. AC Power Connection

Figure 2-17 shows an AC Power board without its protective cover.



Figure 2-17: Power Board

An external power cord with a standard power socket (IEC320 C14) is supplied for the IND231.

A permanently attached line cord supplies AC power to the AC version of the IND236 terminal. The ground wire has a loop terminal for connection to the ground connection inside the terminal (Figure 2-18).



Figure 2-18: IND236 AC Power Connection Board and Grounding

In the IND236, an interface PCB transfers power from the line cord to the power board (Figure 2-18).

The terminal requires 85 to 264 VAC (at 176 mA maximum) with a line frequency of 49 to 61 Hz of power. It is internally fused at 3.15 amps, 250 volts.

The integrity of the power ground for equipment is important for both safety and dependable operation of the terminal and its associated scale base. A poor ground can result in an unsafe condition should an electrical short develop in the equipment. A good ground connection minimizes extraneous electrical noise pulses. The IND231/IND236 should not share power lines with noise-generating equipment. To confirm ground integrity, use a commercial branch circuit analyzer. If adverse power conditions exist, a dedicated power circuit or power line conditioner might be required.



! WARNING

FOR CONTINUED PROTECTION AGAINST SHOCK HAZARD CONNECT TO PROPERLY GROUNDED OUTLET ONLY. DO NOT REMOVE THE GROUND PRONG.

2.4.5. Analog Load Cell Connection

NOTICE

TO AVOID DAMAGE TO THE PCB OR LOAD CELL, REMOVE POWER FROM THE IND231/IND236 TERMINAL AND WAIT AT LEAST 30 SECONDS BEFORE CONNECTING OR DISCONNECTING ANY HARNESS.

Load cell connections are made to the load cell connector on the main board, indicated in Figure 2-16.

The IND231/236 terminal is designed to power up to four 350-ohm load cells (or a minimum resistance of approximately 87 ohms). To confirm that the load cell load for this installation is within limits, the total scale resistance (TSR) must be calculated, as follows:

$$\text{TSR} = \frac{\text{Load Cell Input Resistance (Ohms)}}{\text{Number of Load Cells}}$$

Before connecting the load cells, ensure that the TSR of the load cell network to be connected to the IND231/IND236 has a resistance greater than the minimums listed above. If the resistance is below the minimum, the IND231/IND236 will not operate properly.

In addition, the maximum cable distance must be reviewed. Table 2-3 provides recommended maximum cable lengths based on TSR and cable gauge.

Table 2-3: Recommended Maximum Cable Lengths

TSR (Ohms)	24 Gauge (meters/feet)	20 Gauge (meters/feet)	16 Gauge (meters/feet)
350	243/800	610/2000	1219/4000
87 (4-350 Ω cells)	60/200	182/600	304/1000

The IND231/IND236 terminal is designed to support both 2mV/V and 3mV/V load cells from the same circuitry. A load cell output rating selection jumper is not required.

Table 2-4 and Figure 2-19 show the terminal definitions for the analog load cell terminal strip. Note that when using four-wire load cells, jumpers must be placed between the +Excitation and +Sense terminals and between the –Excitation and –Sense terminals.

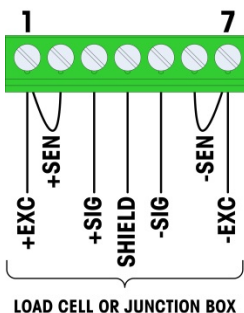
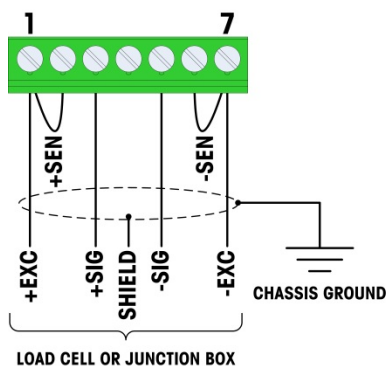
Table 2-4: Load Cell Termination Pin Assignments

Pin	Signal
1	+EXC
2	+SEN
3	+SIG
4	Shield
5	-SIG
6	-SEN
7	-EXC

4-Wire Cells

NOTES

1. USE SIX-CONDUCTOR SHIELDED WIRE FOR HOME RUN CABLE
2. SINGLE 4-WIRE CELLS: JUMPER +EXC TO +SEN AND JUMPER -EXC TO -SEN AT IND231/IND236 TERMINALS
3. MULTIPLE 4-WIRE LOAD CELLS: JUMPER +EXC TO +SEN AND JUMPER -EXC TO -SEN AT JUNCTION BOX INPUT TERMINALS
4. WIRE SIZE: 18 AWG (0.823 mm²) MAX., 24 AWG (0.205 mm²) MIN.



6-Wire Cells

NOTES

1. USE SIX-CONDUCTOR SHIELDED WIRE FOR HOME RUN CABLE
2. WIRE SIZE: 18 AWG (0.823 mm²) MAX., 4 AWG (0.205 mm²) MIN.

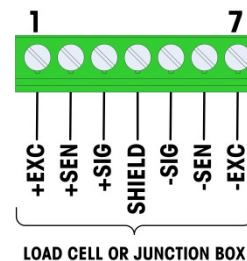
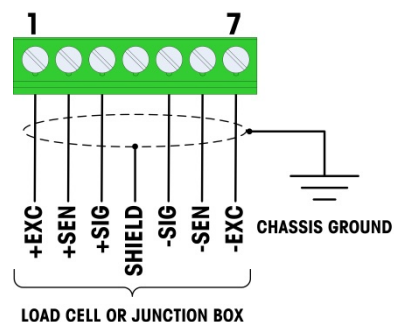


Figure 2-19: Load Cell Termination, Chassis Ground (top) and Pin Ground (bottom)

- When using the standard four-wire cable, if an increase in load results in a decrease in weight display, reverse the signal wires (+SIG and -SIG).

2.4.5.1. Analog Load Cell Shield and Ferrite Installation

There are two methods for terminating the Analog Load Cell cable shield – to chassis ground, or to the ground pin of the connector. The two methods are illustrated below.

In either method, to meet certain electrical noise emission limits and to protect the IND231/IND236 from external influences, a ferrite core must be installed on the load cell cable connected to the terminal. The ferrite core is included with the basic terminal.

2.4.5.1.1. IND231 – Connecting to the Load Cell Connector

When the load cell cable being connected has a wire connected to the shield, it can be terminated at the center pin of the load cell connector.

1. The load cell cable is routed into the enclosure as indicated in Figure 2-20.

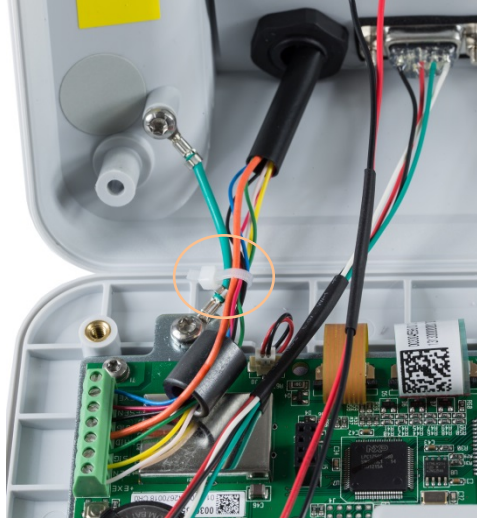


Figure 2-20: Analog Load Cell Pin Grounding and Ferrite Installation, IND231

- Note that the shield wire does not pass through the ferrite.
2. Place the ferrite over the load cell cable as indicated.
 3. Connect the load cell wires to the connector on the motherboard. Refer to the wire color code of the load cell being connected, and Figure 2-19.
 4. Use a wire tie to secure the wires to the enclosure hinge wire.

2.4.5.1.2. IND231 – Connecting to Chassis Ground

When the load cell cable being connected does not have a wire connected to the shield, the shield should be terminated to chassis ground, using the following procedure.

1. The load cell cable enters the housing through the cable gland indicated in Figure 2-23.
2. Prepare the load cell cable by removing the outer cover and trimming the outer shield wire as shown in Figure 2-21.



Figure 2-21: Load Cell Cable with Outer Shield Removed, Shield Wire Trimmed

3. Fold the shield wire back over the outer cover of the cable.



Figure 2-22: Load Cell Cable with Shield Wire Folded Back

4. The grounding clip supplied with the terminal is used to connect the exposed shield (Figure 2-22) to the metal mounting plate using the enclosure hinge wire attachment screw, as shown in Figure 2-23.
5. The ferrite supplied with the terminal is placed over the end of the cable, and the wires connected to the load cell connector. Refer to the wire color code of the load cell being connected, and Figure 2-19.

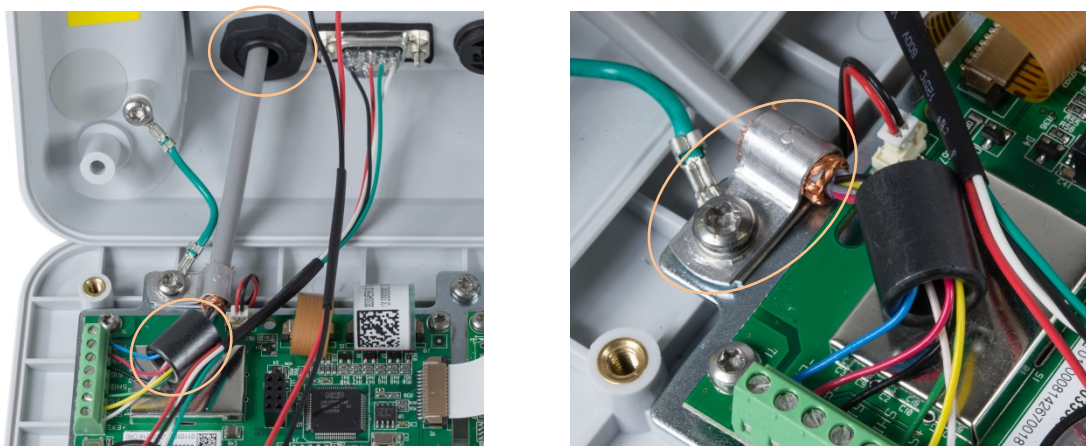


Figure 2-23: Analog Load Cell Cable Ferrite Installation and Chassis Grounding, IND231

2.4.5.1.3. IND236 – Connecting to the Load Cell Connector

When the load cell cable being connected has a wire connected to the shield, it can be terminated at the center pin of the load cell connector.

1. The load cell cable is routed into the enclosure through the cable gland indicated in Figure 2-24.



Figure 2-24: Analog Load Cell Pin Grounding and Ferrite Installation, IND236

- Note that the shield wire does not pass through the ferrite.
2. Place the ferrite over the end of the load cell cable, and attach the load cell wires to the connector on the motherboard. Refer to the wire color code of the load cell being connected, and Figure 2-19.
 3. Use two wire ties to bundle the load cell cable wires with the enclosure hinge wire.

2.4.5.1.4. IND236 – Connecting to Chassis Ground

When the load cell cable being connected does not have a wire connected to the shield, the shield should be terminated to chassis ground, using the following procedure.

1. The load cell cable is routed into the enclosure through the cable gland indicated in Figure 2-27.
2. Prepare the load cell cable by removing the outer cover and trimming the outer shield wire as shown in Figure 2-25.



Figure 2-25: Load Cell Cable with Outer Shield Removed, Shield Wire Trimmed

3. Fold the shield wire back over the outer cover of the cable.



Figure 2-26: Load Cell Cable with Shield Wire Folded Back

4. Place the grounding clip supplied with the terminal over the exposed shield wire (see Figure 2-26).

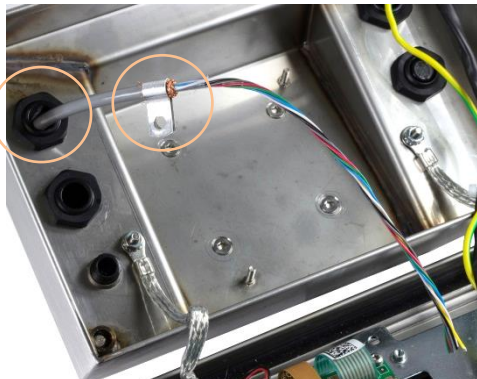


Figure 2-27: Load Cell Cable Entering IND236 Enclosure, with Chassis Ground Clip

5. Connect the grounding clip to the enclosure using the enclosure hinge attachment screw, as shown in Figure 2-28 (left).

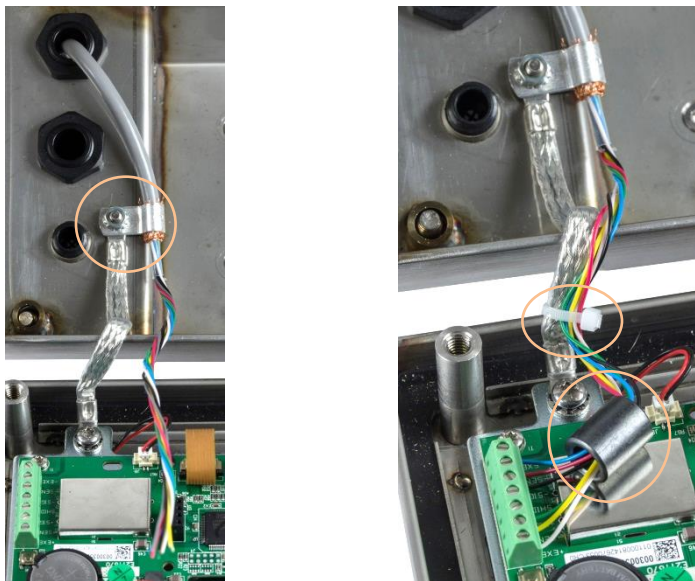


Figure 2-28: Analog Load Cell Cable Ferrite Installation and Chassis Grounding, IND236

6. Place the ferrite over the load cell cable as indicated.
7. Attach the load cell wires to the connector on the motherboard. Refer to the wire color code of the load cell being connected, and Figure 2-19.

8. Use a wire tie to secure the wires to the enclosure hinge wire.

2.4.6. COM1 Serial Port Connection

The COM1 port (REF) provides an RS-232 connection for external serial devices. Figure 2-29 and Table 2-5 indicate which terminal carries which signal on the COM1 port (DSUB-9) of the IND231.

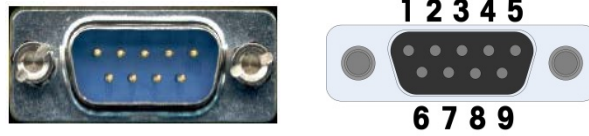


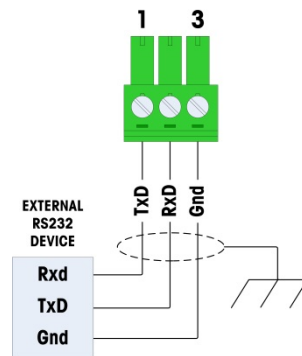
Figure 2-29: IND231 COM1 Port

Table 2-5: IND231 COM1 Port Signals

Terminal	Signal	
Pin 2	RxD	RS-232 Receive
Pin 3	TxD	RS-232 Transmit
Pin 5	Gnd	Logic Ground

In the IND236, the RS-232 connector is on the mainboard (see Figure 2-16). The communication cable enters the enclosure through a cable gland (see Figure 2-14) and connects to the COM1 port on mainboard.

An example of connecting via RS-232 to external equipment is shown in Figure 2-30. Make the connections as necessary.



NOTES:

1. MAXIMUM CABLE LENGTH: 50 FEET (15 METERS).
2. WIRE SIZE: 18 AWG (.823 mm²) MAXIMUM
24 AWG (0.205 mm²) MINIMUM.

Figure 2-30: IND236 Sample COM1 Connection

2.4.7. Wiring Connections for Options

Options for the IND231/IND236 that require external connections include the following:

- COM2 with isolated RS-232/422/485
- USB Interface
- Discrete I/O interface

2.4.7.1. COM2 with Isolated RS-232/422/485 Option

The COM2 with RS-232/422/485 option board (Figure 2-31) provides a single isolated serial port.

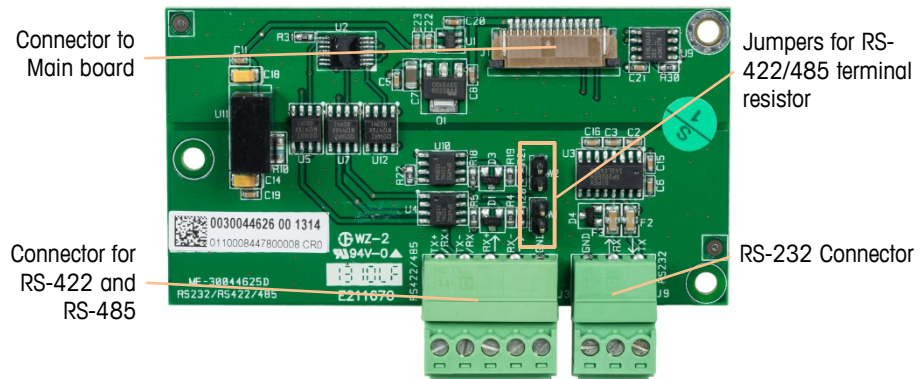


Figure 2-31: COM2 with RS-232/422/485

The COM2 port provides RS-232, RS-422 and RS-485 connections. The hardware connection must be configured in the Communication section of the setup menu structure – refer to Chapter 3 of the **User's Guide, Configuration**. Figure 2-33 and Table 2-6 show the connection details.

The jumpers on the board (W1 and W2, indicated in Figure 2-31) are open by default. They enable the connection of a 120 ohm terminal resistor to the RS-422 and RS-485 A/B signals. If it is necessary to enable the terminal resistor, short the jumpers as shown in Figure 2-32.

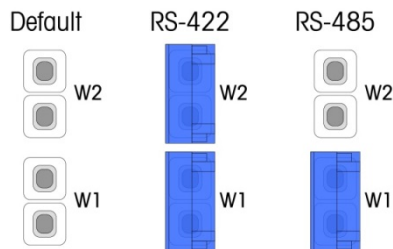


Figure 2-32: COM2 Jumper Positions

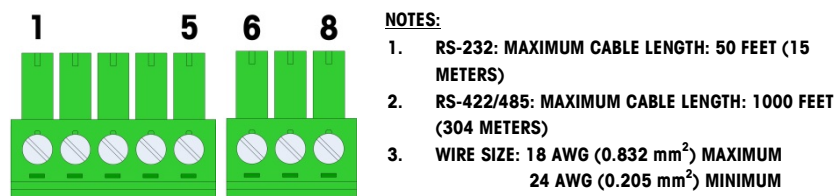


Figure 2-33: COM2 Port Signals

Table 2-6: Isolated Serial Port Pin Assignments

Terminal	Signals	Description
Pin 1	TX/RX+	RS-485 data A or RS-422 Transmit data A
Pin 2	TX/RX-	RS-485 data B or RS-422 Transmit data B
Pin 3	RX+	RS-422 Receive data A

Terminal	Signals	Description
Pin 4	RX-	RS-422 Receive data B
Pin 5	GND	Logic Ground for RS-422/485
Pin 6	GND	Logic Ground for RS-232
Pin 7	RX	RS-232 Receive
Pin 8	TX	RS-232 Transmit

2.4.7.2. USB Device Option

This option board provides a single Mini-USB type B connector port, shown in Figure 2-35. The Mini-USB port is a device type interface (not a host), and operates basically as a serial port. An external mating type B Mini-USB cable is required when connecting to this port.

The port is equipped with a cap which screws on when the port is not in use.

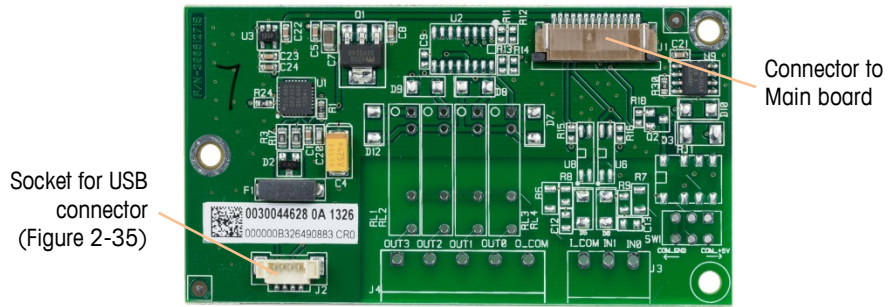


Figure 2-34: USB Option Board

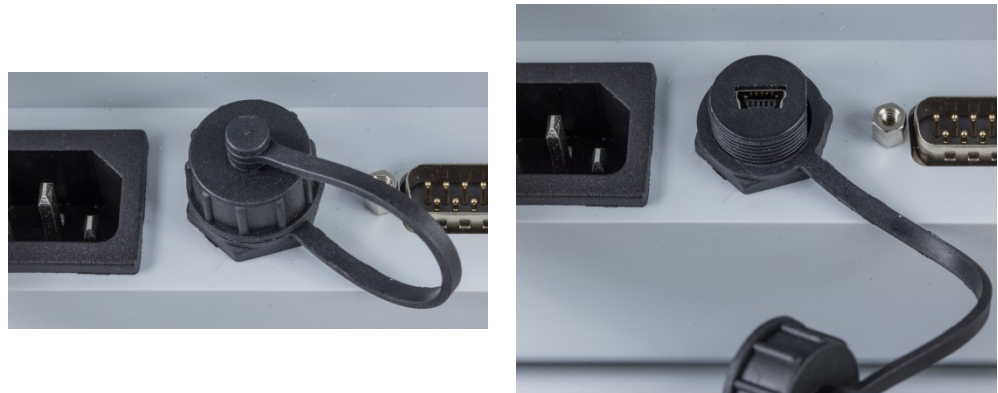


Figure 2-35: Mini USB Socket and Cap

2.4.7.3. Discrete I/O Option

This option board provides two isolated inputs and four dry-contact, normally open, relay outputs. The inputs can be selected as either active or passive, depending on the position of the slide switch indicated in Figure 2-36.



Figure 2-36: Discrete I/O Option Board

2.4.7.3.1. Discrete I/O Switch

A switch on the Discrete I/O board selects if the inputs will be active or passive. Ensure that the switch is set properly before wiring to the inputs. The location of the switch and the active/passive positioning are shown in Figure 2-37.

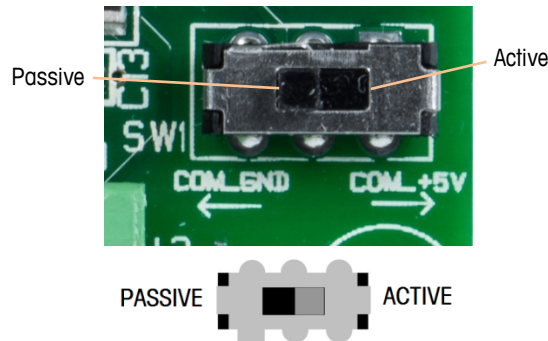


Figure 2-37: Discrete I/O Switch

2.4.7.3.2. Active Input

Selecting the inputs as active enables connection of switches or other simple devices to trigger an input. No voltage is supplied by the external simple device.

An example of how to wire to the active inputs is shown in Figure 2-38.

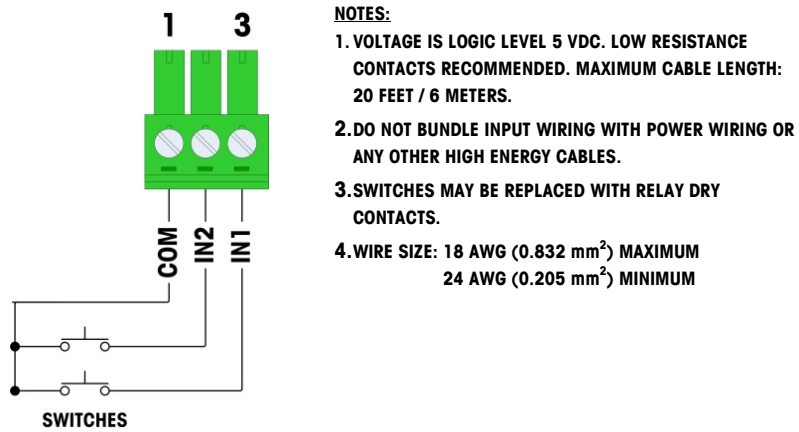


Figure 2-38: Active Input Connections

2.4.7.3.3. Passive Input

Selecting the inputs as passive enables other devices such as PLCs to provide the trigger voltage (typically 12 VDC or 24 VDC, maximum 30 VDC) to turn the IND231/236 inputs "on".

An example of wiring to the passive inputs with the +V to the common is shown in Figure 2-39.

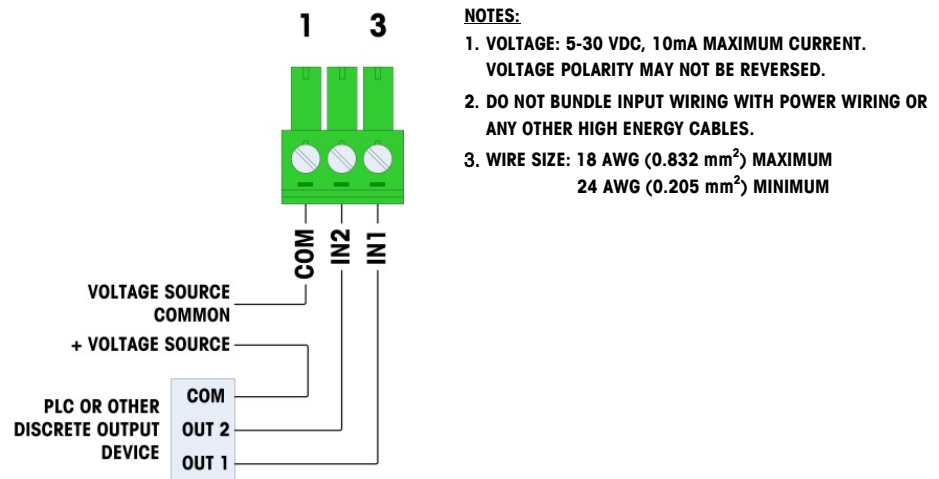


Figure 2-39: Passive Input Connections

2.4.7.3.4. Relay Outputs

The relay outputs can switch up to 250 VAC or 30 VDC voltages at 1A maximum. The relay outputs are not polarity-sensitive since they are dry contact outputs. An example of wiring to the outputs is given in Figure 2-40.

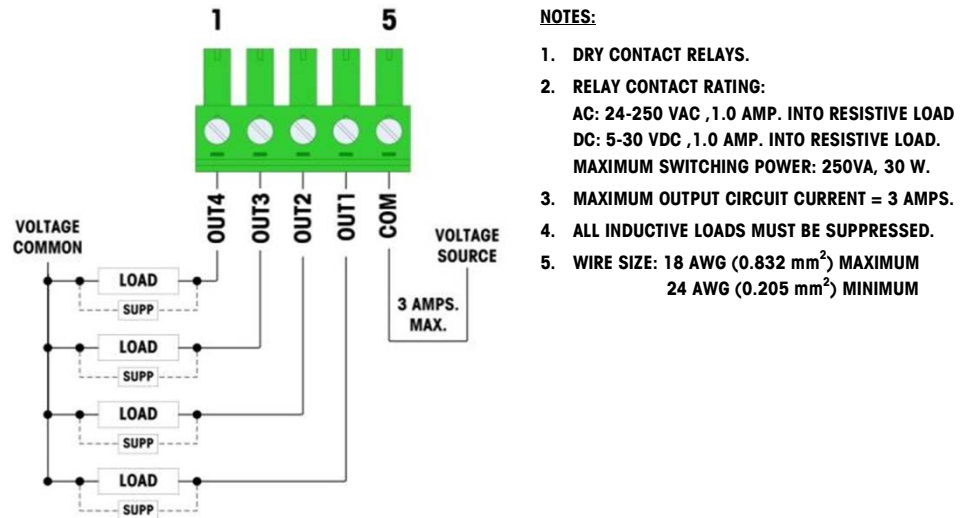


Figure 2-40: Relay Outputs

2.5. Capacity Label Instructions

The regulations in some locations require that the scale capacity and increment be shown on the front of the terminal, near the display. To satisfy this requirement, a blue capacity label is included with the terminal that must be completed and adhered to the overlay.

The capacity label (shown in Figure 2-41) provides space for the Max, min, and e information for each range for which the scale is programmed. The unused portion of the label may be cut off with scissors. Written information must be legible and a minimum of 2mm or 0.08 in. in height. A permanent marker should be used.



Figure 2-41: Capacity Label

Clean any oil or other contaminants from the area where the capacity label will be added. Peel the backing from the label and adhere it to the overlay or in another location acceptable to the local regulations.

2.6. Closing the Enclosure

After all work has been completed inside the terminal, the enclosure must be closed. Tighten the screws to secure the cover in place – refer to Opening the Enclosure on page 2-1.

2.6.1. Torque Specifications for Enclosure Fasteners

The enclosure fasteners should be tightened to the following specification:

IND231:	1.5 Nm
IND236:	5.5 Nm

2.7. Sealing the Enclosure

When the IND231/IND236 terminal is used in a metrologically “approved” application, it must be protected from tampering by use of a seal. The enclosures use only a wire security seal, which is included with the terminal.

The following must be true for the terminal to be sealed:

- A scale base must be connected to the terminal via the load cell cable gland, and the enclosure housing and cable glands properly fastened.
- Sealing must prevent removal from the terminal of media holding calibration data.
- Sealing must prevent access to the configuration of all metrological significant features.

For sealing details of the IND231/IND236 terminal, refer to Figure 2-42 and follow these steps:

1. Ensure that the appropriate approval region has been selected in setup under **F1.1.2 Approval**.
2. With the front panel installed on the enclosure and the fastening screws installed, thread the free end of the wire seal through the sealing screw of IND231/IND236, and through the hole in the sealing feature on the enclosure (Figure 2-42).



Figure 2-42: Seal Installation, IND231 (left) and IND236 (right)

3. Thread the end of the wire cable through the hole in the plastic seal (Figure 2-43, left), remove any remaining slack in the wire, and snap the seal shut (Figure 2-43, right). Trim off the excess wire.



Figure 2-43: Closing the Seal

IND231/IND236

Terminal de pesaje



Español

METTLER TOLEDO

IND231/IND236

Terminal de pesaje

METTLER TOLEDO Service

Servicios esenciales para el desempeño confiable

Enhorabuena por elegir la calidad y precisión de METTLER TOLEDO. El uso adecuado de su nuevo equipo siguiendo este manual, y la calibración y mantenimiento regulares por parte del equipo de servicio formado en fábrica garantizan un funcionamiento fiable y preciso, protegiendo su inversión. Póngase en contacto con nosotros acerca del acuerdo de servicio ajustado a sus necesidades y presupuesto. Hay más información disponible en www.mt.com/service.

Existen varias maneras importantes de garantizar que usted maximizará el rendimiento de su inversión:

1. **Registre su producto:** Le invitamos a registrar su producto en www.mt.com/productregistration para que podamos ponernos en contacto con usted si hubiera mejoras, actualizaciones y notificaciones importantes relacionadas con su producto.
2. **Póngase en contacto con METTLER TOLEDO para obtener servicio:** El valor de una medida es proporcional a su precisión: una báscula fuera de las especificaciones puede disminuir la calidad, reducir las ganancias y aumentar la responsabilidad. El servicio oportuno por parte de METTLER TOLEDO garantizará precisión y optimizará el tiempo de funcionamiento y la vida útil del equipo.
 - a. **Instalación, configuración, integración y formación:** Nuestros representantes de servicio reciben una capacitación en fábrica y son expertos en equipos de pesaje. Nos aseguramos de que el equipo de pesaje esté listo para la producción de manera rentable y oportuna y de que el personal esté formado para obtener resultados exitosos.
 - b. **Documentación de calibración inicial:** Los requisitos de aplicación y del entorno de instalación son únicos para cada báscula industrial. Su rendimiento se debe comprobar y certificar. Nuestros servicios y certificados de calibración documentan la precisión para garantizar la calidad en la producción y para proporcionar un registro de rendimiento del sistema de calidad.
 - c. **Mantenimiento periódico de calibración:** El acuerdo de servicio de calibración proporciona confianza en el proceso de pesaje y documentación de cumplimiento de los requisitos. Ofrecemos diversos planes de servicio que se programan para satisfacer sus necesidades y están diseñados para ajustarse a su presupuesto.

© METTLER TOLEDO 2013

Ninguna parte de este manual puede ser reproducida o transmitida en ninguna forma y por ningún medio, electrónico o mecánico, incluyendo fotocopiado y grabación, para ningún propósito sin permiso por escrito de METTLER TOLEDO.

Derechos restringidos del Gobierno de los Estados Unidos: Esta documentación se proporciona con Derechos Restringidos.

Derechos de autor 2013 METTLER TOLEDO. Esta documentación contiene información patentada de METTLER TOLEDO. Esta información no puede copiarse total o parcialmente sin el consentimiento expreso por escrito de METTLER TOLEDO.

METTLER TOLEDO se reserva el derecho de refinar o cambiar el producto o el manual sin previo aviso.

DERECHOS DE AUTOR

METTLER TOLEDO® es una marca registrada de Mettler-Toledo, LLC. Todas las demás marcas o nombres de productos son marcas comerciales o registradas de sus respectivas compañías.

METTLER TOLEDO SE RESERVA EL DERECHO DE HACER REFINACIONES O CAMBIOS SIN PREVIO AVISO.

Aviso de la FCC

Este dispositivo cumple con la Parte 15 de las Pautas de la FCC y los Requerimientos de Radio-Interferencia del Departamento Canadiense de Telecomunicaciones. La operación está sujeta a las siguientes condiciones: (1) este dispositivo no puede causar interferencia dañina, (2) este dispositivo debe aceptar cualquier interferencia recibida, incluyendo la interferencia que pueda causar una operación indeseada.

Este equipo ha sido probado y se encontró que cumple con los límites para un dispositivo digital clase A, consecuente con la Parte 15 de las Pautas de la FCC. Estos límites están diseñados para proporcionar una protección razonable contra interferencia dañina cuando el equipo es operado en un ambiente comercial. Este equipo genera, usa y puede irradiar frecuencias de radio y, si no es instalado y utilizado de acuerdo con el manual de instrucciones, puede causar interferencia dañina a las radiocomunicaciones. Es probable que la operación de este equipo en un área residencial cause interferencia dañina, en cuyo caso se le exigirá al usuario que corrija la interferencia con gastos a su cargo.

- La declaración de conformidad del producto se encuentra en el CD de documentación.

Declaración de conformidad con RoHS

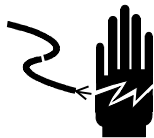
- La mayoría de nuestros productos entran en las categorías 8 y 9. Estas categorías actualmente no están dentro del ámbito de aplicación de la Directiva 2002/95/EG (RoHS) del 27 de enero de 2003. Si nuestros productos van a usarse en otros productos que a su vez están dentro del ámbito de aplicación de la Directiva RoHS, los requisitos de conformidad deben negociarse en forma separada.
- Aquellos productos que entran en las categorías 1-7 y 10 estarán en conformidad con la Directiva RoHS de la UE de fecha no posterior al 1 de julio de 2006.
- Si por razones técnicas no es posible reemplazar cualquier sustancia que no esté en conformidad con la RoHS en cualquiera de los productos anteriores como se requiere, tenemos planeado informar a nuestros clientes de manera oportuna.

Enunciado referente a sustancias nocivas

Nosotros no usamos directamente sustancias nocivas como asbestos, sustancias radioactivas o compuestos de arsénico. Sin embargo, compramos componentes de terceros que pueden contener algunas de estas sustancias en cantidades muy pequeñas.

Precauciones

- LEA este manual ANTES de operar o dar servicio a este equipo y SIGA estas instrucciones detalladamente.
- GUARDE este manual para futura referencia.



ADVERTENCIA

PARA PROTECCIÓN CONTINUA CONTRA CHOQUE ELÉCTRICO, CONECTE LA VERSIÓN PARA CORRIENTE ALTERNA DEL TERMINAL IND231/IND236 SOLAMENTE EN UNA TOMA CONECTADA A TIERRA CORRECTAMENTE. NO RETIRE EL POLO DE CONEXIÓN A TIERRA.



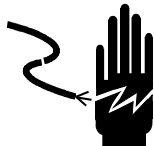
ADVERTENCIA

PERMITA QUE SOLO PERSONAL CALIFICADO DÉ SERVICIO AL TERMINAL. TENGA CUIDADO AL HACER VERIFICACIONES, PRUEBAS Y AJUSTES QUE DEBAN REALIZARSE CON LA CORRIENTE CONECTADA. NO TENER EN CUENTA ESTAS PRECAUCIONES PODRÍA RESULTAR EN LESIONES PERSONALES Y/O DAÑOS MATERIALES.



ADVERTENCIA

EL TERMINAL IND231/IND236 NO ESTÁ DISEÑADO PARA USARSE EN ÁREAS CLASIFICADAS COMO PELIGROSAS DEBIDO A LAS ATMÓSFERAS COMBUSTIBLES O EXPLOSIVAS. NO INSTALE EL IND231/IND236 EN UN AMBIENTE EXPLOSIVO.



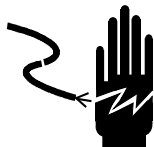
ADVERTENCIA

CUANDO ESTE EQUIPO ES INCLUIDO COMO PARTE DE UN SISTEMA, EL DISEÑO RESULTANTE DEBE SER REVISADO POR PERSONAL CALIFICADO QUE ESTÉ FAMILIARIZADO CON LA CONSTRUCCIÓN Y OPERACIÓN DE TODOS LOS COMPONENTES EN EL SISTEMA Y LOS PELIGROS POTENCIALES INVOLUCRADOS. EL NO TENER EN CUENTA ESTA PRECAUCIÓN PODRÍA RESULTAR EN LESIONES PERSONALES Y/O DAÑOS A LA PROPIEDAD.



PRECAUCIÓN

LA BATERÍA NI-MH USADA EN ESTE DISPOSITIVO PUEDE REPRESENTAR RIESGO DE INCENDIO O DE QUEMADURAS QUÍMICAS SI NO SE MANEJA CORRECTAMENTE. NO LA APLASTE, DESENSAMBLE, CALIENTE POR ARRIBA DE 60 °C NI LA INCINERE. REMPLACE LA BATERÍA POR UNA 30044650 SOLAMENTE. EL USO DE OTRA BATERÍA PUEDE REPRESENTAR RIESGO DE QUEMADURAS, INCENDIO O EXPLOSIÓN.



PRECAUCIÓN

TENGA PRECAUCIÓN CUANDO PRUEBE LA BATERÍA. PUEDE HABER UNA GRAN CANTIDAD DE CORRIENTE EN LA BATERÍA.



PRECAUCIÓN

DESECHE LA BATERÍA RÁPIDAMENTE. MANTÉNGALA FUERA DEL ALCANCE DE LOS NIÑOS. NO LA DESENSAMBLE Y NO LA DESECHE EN EL FUEGO.



PRECAUCIÓN

ANTES DE CONECTAR/DESCONECTAR CUALQUIER COMPONENTE ELECTRÓNICO INTERNO O INTERCONECTAR EL CABLEADO ENTRE EL EQUIPO ELECTRÓNICO SIEMPRE INTERRUMPA LA CORRIENTE Y ESPERE AL MENOS TREINTA (30) SEGUNDOS ANTES DE HACER CUALQUIER CONEXIÓN O DESCONEXIÓN. EL OMITIR ESTAS PRECAUCIONES PODRÍA RESULTAR EN DAÑOS O LA DESTRUCCIÓN DEL EQUIPO Y/O LESIONES PERSONALES.

AVISO

NO INTENTE CARGAR LA BATERÍA SI LA TEMPERATURA DE ÉSTA ES INFERIOR A 0 °C (32 °F). NO ES POSIBLE CARGAR LA BATERÍA A ESTA TEMPERATURA O POR DEBAJO DE ESTA TEMPERATURA. NO OPERE EL CARGADOR DE BATERÍA FUERA DE SU RANGO DE TEMPERATURA DE 0 °C (32 °F) A 40 °C (104 °F).

AVISO

PARA EVITAR DAÑOS A LA PCB O CELDA DE CARGA, INTERRUMPA LA CORRIENTE DEL TERMINAL IND231/IND236 Y ESPERE AL MENOS 30 SEGUNDOS ANTES DE CONECTAR O DESCONECTAR CUALQUIER ARNÉS.



AVISO

TENGA EN CUENTA ESTAS PRECAUCIONES PARA MANIPULAR LOS DISPOSITIVOS SENSIBLES A LA ELECTROESTÁTICA.

Requerimiento de desecho seguro

En conformidad con la Directiva Europea 2002/96/EC sobre Residuos de Equipos Eléctricos y Electrónicos (WEEE), este dispositivo no puede desecharse con la basura doméstica. Esto también es aplicable para países fuera de la UE, según sus requerimientos específicos.



Deseche este producto de acuerdo con las regulaciones locales en el punto de recolección especificado para equipos eléctricos y electrónicos.

Si tiene alguna pregunta, comuníquese con la autoridad responsable o con el distribuidor a quien compró este dispositivo.

En caso que este dispositivo sea transferido a otras partes (para uso privado o profesional), también deberá mencionarse el contenido de esta regulación.

Gracias por su contribución a la protección ambiental.

Contenido

1.	Introducción	1-1
1.1.	Presentación del IND231/IND236	1-1
1.1.1.	Características estándar	1-1
1.1.2.	Tipos de terminal IND231/IND236	1-2
1.2.	Uso en áreas peligrosas	1-2
1.3.	Especificaciones	1-2
1.4.	Identificación del modelo	1-5
1.5.	Inspección y lista de verificación del contenido	1-5
1.6.	Dimensiones físicas	1-6
1.7.	PCB principal	1-7
1.8.	Bases de báscula	1-8
1.9.	Opciones	1-8
1.9.1.	Interfaz serial aislada RS232/RS422/RS485	1-8
1.9.2.	E/S discretas	1-8
1.9.3.	USB	1-8
1.10.	Pantalla y teclado	1-9
1.10.1.	Disposición de la pantalla	1-9
1.10.2.	Teclas del panel frontal	1-9
2	Instalación	2-1
2.1.	Apertura de la caja	2-1
2.2.	Protección ambiental	2-2
2.3.	Montaje del terminal	2-3
2.3.1.	Montaje del IND231	2-3
2.3.2.	Montaje del IND236	2-4
2.4.	Instalación de cables y conectores	2-5
2.4.1.	Conectores y casquillos de cables	2-6
2.4.2.	Identificación de la PCB	2-8
2.4.3.	Conexiones para cableado de la tarjeta principal	2-8
2.4.4.	Conexión de energía de corriente alterna	2-9
2.4.5.	Conexión de celda de carga analógica	2-10
2.4.6.	Conexión del puerto serial COM1	2-16
2.4.7.	Conexiones de cables para otras opciones	2-17
2.5.	Instrucciones de la etiqueta de capacidad	2-21
2.6.	Cierre de la caja	2-22
2.6.1.	Especificaciones de torque para sujetadores de cajas	2-22
2.7.	Sellado de la caja	2-22

1 Introducción

Este capítulo describe

- Presentación del IND231/IND236
- Uso en áreas peligrosas
- Especificaciones
- Identificación del modelo
- Inspección y lista de verificación del contenido
- Dimensiones físicas
- PCB principal
- Bases de báscula
- Opciones
- Pantalla y teclado

El terminal para las básculas industriales IND231/IND236 ofrece una solución compacta pero flexible para una variedad de necesidades de pesaje. Disponible para energía de corriente alterna para aplicaciones estacionarias o para energía de baterías para aplicaciones portátiles, este terminal se siente como en casa en cualquier ambiente industrial.

Las celdas de carga de 2 y 3 mv/V pueden usarse sin necesidad de hacer ningún cambio en la configuración. El IND231/IND236 ofrece datos de mediciones de precisión desde gramos hasta kilogramos en un paquete simple redituable.

Las aplicaciones estándar incluyen pesaje básico, pesaje de animales, pesaje de comprobación por arriba/por abajo, conteo y acumulación. Las plantillas de impresión predefinidas específicas para aplicaciones, que incluyen marcas de hora y fecha, proporcionan transmisión de información de transacciones de pesaje a aplicaciones de software de impresoras y PC.

1.1. Presentación del IND231/IND236

1.1.1. Características estándar

- Diseño de caja de plástico fácil de manipular para el IND231 y caja de acero inoxidable resistente para el IND236
- Compatible con una plataforma de celdas de carga analógica hasta con cuatro celdas de carga de 350 ohmios
- Puede ser utilizado como una pantalla remota para mostrar el peso de un terminal principal separada
- Pantallas LCD grande de siete segmentos con luz de fondo blanca e iconos gráficos para legibilidad clara en condiciones de iluminación variable
- Con energía de CA de 85 a 264 V o paquete de batería interno
- Un puerto serial estándar (COM1) para comunicación asíncrona bidireccional
- Compatible con una de las siguientes tarjetas opcionales:
 - COM2 aislado eléctricamente, interfaz serial RS232, RS422 y RS485
 - Interfaz para dispositivo USB para conexión con una PC
 - Interfaz de E/S discretas
- Acceso con teclas del panel frontal a funciones de pesaje básicas: cero, tara, borrar, función configurable e imprimir



- Unidad de medida primaria para seleccionar incluyendo gramos, kilogramos, libras y onzas
- Unidad de medida secundaria para seleccionar incluyendo gramos, kilogramos, libras y onzas
- Respaldo y restauración de parámetros de configuración y calibración usando la herramienta InSite® SL
- Funciones de apagado automático y temporización de iluminación de fondo para ayudar a conservar la energía y extender la vida de la batería cuando se usa la versión con energía de batería

1.1.2. Tipos de terminal IND231/IND236

El terminal está disponible en las siguientes cuatro versiones:

- IND231 con caja de plástico, energía de CA (también diseñado para su uso con pilas alcalinas AA)
- IND231 con caja de plástico, energía de batería de NiMH recargable
- IND236 con caja de acero inoxidable, energía de CA
- IND236 de acero inoxidable, con energía de batería de NiMH recargable

1.2. Uso en áreas peligrosas

	 ADVERTENCIA
NO USE EL TERMINAL IND231/IND236 EN ÁREAS CLASIFICADAS COMO PELIGROSAS DEBIDO A LAS ATMÓSFERAS COMBUSTIBLES O EXPLOSIVAS. COMUNÍQUESE CON UN REPRESENTANTE AUTORIZADO METTLER TOLEDO PARA PEDIR INFORMACIÓN ACERCA DE LAS APLICACIONES EN ÁREAS PELIGROSAS.	

1.3. Especificaciones

Los terminales IND231 e IND236 están en conformidad con las especificaciones mostradas en la Tabla 1-1.

Tabla 1-1: Especificaciones del terminal

Especificaciones	IND231	IND236
Tipo de caja	Plástico, configurable como caja para escritorio o para montaje en columna o pared	Acero inoxidable, configurable como caja para escritorio o para montaje en columna o pared

Especificaciones	IND231	IND236
Dimensiones del producto (ancho × alto × profundidad)	220 mm x 150 mm x 102 mm (8.66" x 5.90" x 4.02")	220 mm x 150 mm x 93.3 mm (8.66" x 5.90" x 3.67")
Dimensiones del transporte (ancho × alto × profundidad)	350 mm x 220 mm x 195 mm (13.78" x 8.66" x 7.68")	
Peso del producto	Versión para corriente alterna: 1.2 kg (2.6 lb) Versión para batería: 1.5 kg (3.3 lb)	Versión para corriente alterna: 2.2 kg (4.9 lb) Versión para batería: 2.5 kg (5.5 lb)
Peso de transporte	2.0 kg	3.0 kg
Protección ambiental	IP54	IP66/67
Ambiente operativo	Rango de temperatura de operación -10 °C a +40 °C Rango de temperatura de almacenamiento: -20 °C a +60 °C Humedad relativa: 10-95%, no condensante.	
Áreas peligrosas	El terminal no puede operarse en áreas clasificadas como peligrosas debido a la presencia de atmósferas combustibles o explosivas en esas áreas. Comuníquese con un representante autorizado METTLER TOLEDO para pedir información acerca de las aplicaciones en áreas peligrosas.	
Energía	Versión para corriente alterna: Opera a 85–264 VCA, 49–61 Hz e incluye un cordón eléctrico configurado para el país de uso.	
	Versión para batería: Seis pilas alcalinas AA o paquete de baterías de NiMH recargable (aproximadamente 120 horas para una celda de carga)	Versión para batería: Batería de NiMH recargable (aproximadamente 120 horas para una celda de carga)
Pantalla	LCD de siete segmentos de siete dígitos con caracteres de 40 mm de alto, iluminación de fondo blanca, e incluye pantalla para peso, unidades de peso, indicación de bruto/neto y símbolos para movimiento, centro, cero y aplicaciones variables	
Pantalla de peso	Resolución máxima mostrada de 30,000 divisiones	
Tipos de básculas	Celdas de carga analógicas	
Número de celdas	Hasta cuatro celdas de carga de 350 ohmios (2 o 3 mV/V)	
Número de básculas	Una	
Velocidades de actualización analógica/digital	Analógica interna: 80 Hz	
Voltaje de excitación de las celdas de carga	5 VCD	
Sensibilidad mínima	0.5 µV/e	
Teclado numérico	Siete teclas: Cero, tara, borrar, encendido/apagado, imprimir, F1 y F2 (configurable)	

Especificaciones	IND231	IND236
Opciones de comunicación	<p>Interfaces seriales</p> <p>Estándar: Un puerto serial (COM1) RS-232, 1,200 a 115,200 baudios</p> <p>Puerto serial aislado opcional: (COM2) RS-232/422/485, 1,200 a 115,200 baudios</p> <p>Interfaz de E/S digitales</p> <p>Puerto opcional de E/S digitales: 2 entradas/4 salidas</p> <p>Interfaz USB</p> <p>Puerto opcional para dispositivo USB</p> <p>Protocolo</p> <p>Entradas seriales: Comandos ASCII para CTPZ (borrar, tarar, imprimir, cero), SICS (la mayoría de los comandos nivel 0 y nivel 1)</p>	
Aplicación	Cero, tara, imprimir, X10, fecha y hora, pesaje básico, pesaje de animales, conteo con optimización del APW, pesaje de comprobación por arriba/por abajo con base de datos de 10 registros, acumulación y pantalla remota	
Aprobaciones	<p>Pesos y medidas</p> <p>EE.UU.:</p> <p>NTEP Clase III/IIIL - 10,000 d; Cert. No. 13-049</p> <p>Canadá:</p> <p>Clase III - 10,000 d; Clase IIIHD - 20,000 d</p> <p>Europa:</p> <p>Clase III, 2 x 3000e y 6000e; TC8351, T5976</p> <p>OIML:</p> <p>Clase III, 2 x 3000e y 6000e; R76/2006-NL1-13.06</p> <p>Seguridad del producto</p> <p>UL, cUL, CE</p>	
Accesorios	Soporte para montaje en pared o en columna; soporte para escritorio.	

1.4. Identificación del modelo

El número de modelo, número de fábrica y número de serie se encuentran en la placa de identificación de los terminales IND231/IND236. Consulte la Figura 1-1 para verificar la configuración del terminal IND231/IND236 al salir de la fábrica de METTLER TOLEDO.

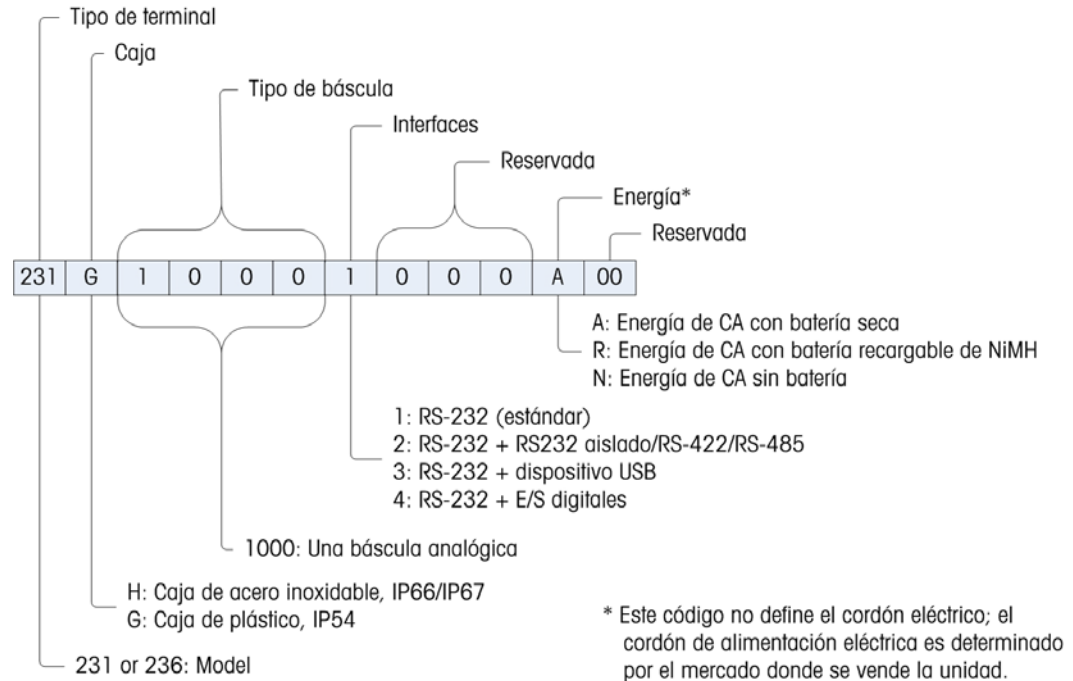


Figura 1-1: Gráfico de configuración del IND231

1.5. Inspección y lista de verificación del contenido

Verifique el contenido e inspeccione el paquete inmediatamente al recibirlo. Si el contenedor de envío está dañado, revise si hay daños internos y presente una reclamación por daños de transporte con el operador si es necesario. Si el contenedor no está dañado, retire el terminal de su paquete de protección, observe cómo está empaquetado e inspeccione cada componente para detectar posibles daños.

Si es necesario enviar el terminal, es mejor usar el contenedor original. Se debe empacar correctamente el terminal para asegurar su transporte correcto.

El paquete debe incluir:

- Terminal IND231 o IND236
- Manual de instalación (o instrucciones de seguridad)
- Cordón eléctrico
- Bolsa con partes diversas
- Manual del usuario (o CD de documentación)
- Paquete de baterías (sólo versión para baterías)
- Soportes de montaje (1)

1.6. Dimensiones físicas

Las dimensiones físicas de la caja del IND231/IND236 se muestran en la Figura 1-2 y en la Figura 1-3 en mm y [pulgadas].

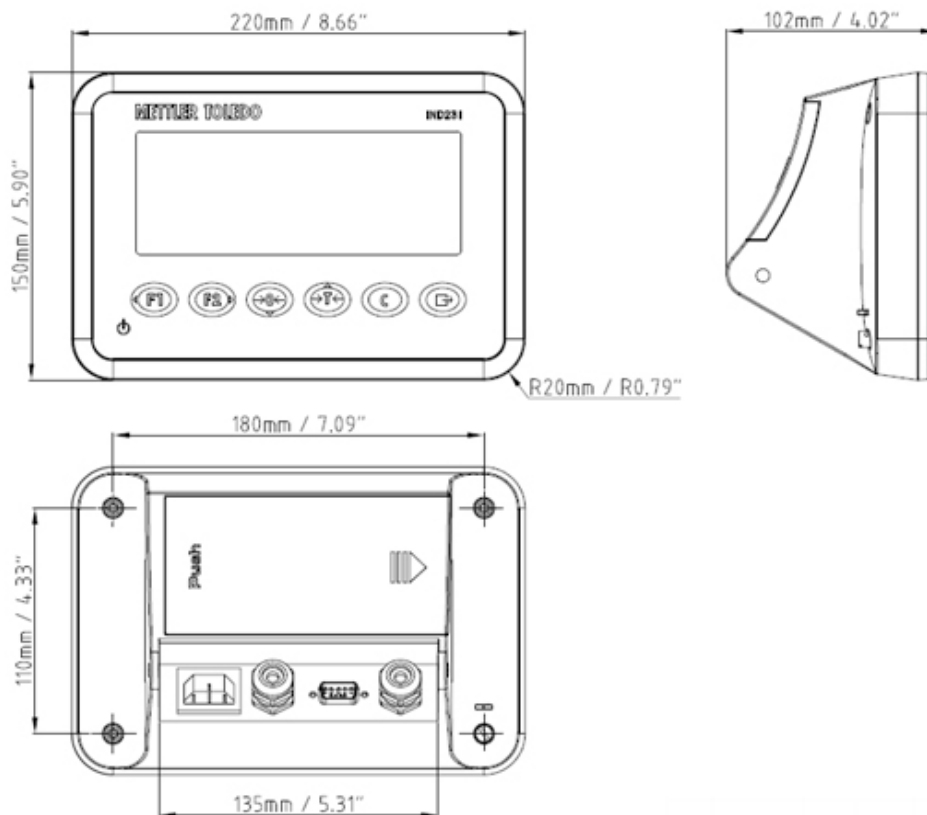


Figura 1-1: Dimensiones de la caja del IND231

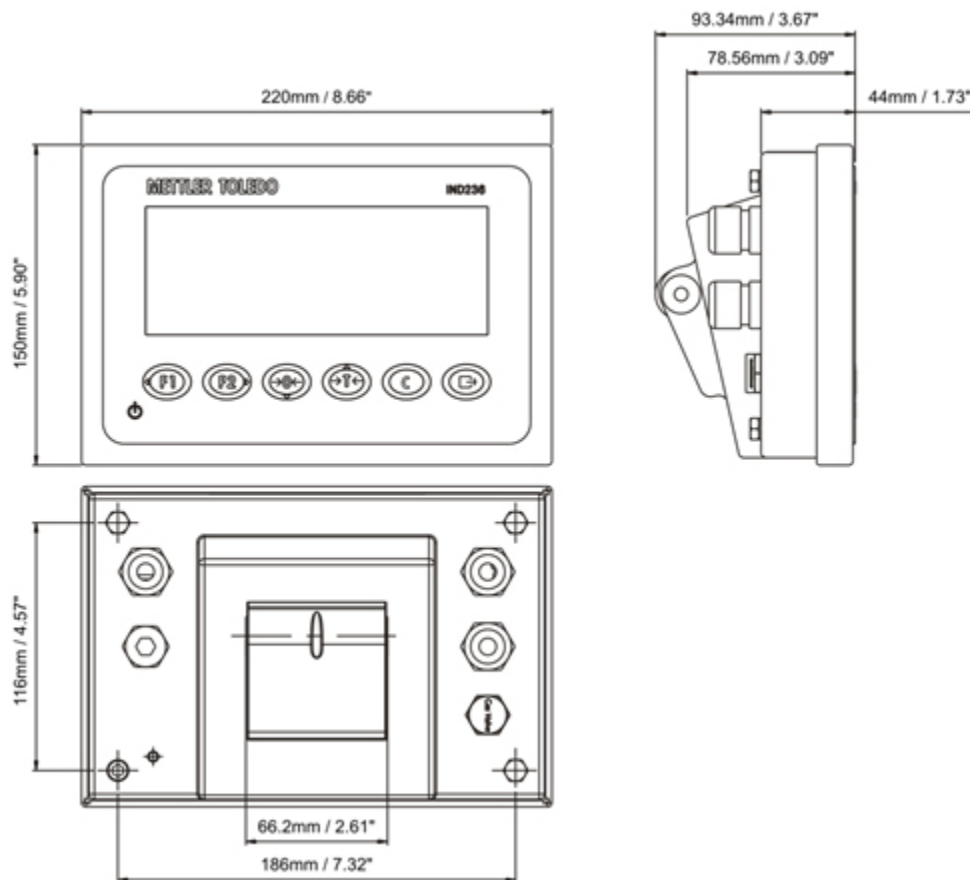


Figura 1-3: Dimensiones de la caja del IND236

1.7. PCB principal

La tarjeta de circuito impreso (PCB) principal de los terminales IND231/IND236 proporciona la interfaz de la báscula para las celdas de carga analógicas, así como el puerto serial COM1 RS-232. El puerto serial COM1 RS-232 es compatible con comunicaciones bidireccionales a velocidades de hasta 115,200 bps. Este puerto puede usarse para guardar datos de configuración del terminal en una PC a través de la herramienta InSite® SL.

La tarjeta principal también contiene la conexión de entrada de energía de corriente directa, interfaz de pantalla, interfaz de teclado numérico y puerto de interfaz para las opciones.

Una tarjeta de energía de corriente alterna/corriente directa (AC/DC) proporciona al terminal CD de +12 V/1A.

Se incluye una tarjeta de carga opcional con la versión para batería recargable.

1.8. Bases de báscula

El terminal IND231/IND236 es compatible con bases de báscula analógica y proporciona 5 voltios de excitación para activar celdas de carga analógicas. El terminal puede activar hasta cuatro celdas de carga de 350 ohmios.

Se proporciona una conexión para celdas de carga de cuatro o seis alambres con líneas sensoras para ayudar a mantener la precisión a medida que cambia la resistencia del cable de la celda de carga debido a variaciones de temperatura.

1.9. Opciones

Se pueden montar tres tipos de interfaz opcional en el COM2. Las especificaciones de la patilla de conexión están impresas en la PCB.

Las siguientes opciones están disponibles para los terminales IND231 e IND236.

1.9.1. Interfaz serial aislada RS232/RS422/RS485

Este puerto opcional proporciona comunicación de RS-232 y RS-422/485 que puede configurarse en la configuración. El puerto es bidireccional y puede usarse para varias funciones como imprimir, impresión automática, salida continua Toledo o comunicaciones SICS.

El puerto COM2 está aislado galvánicamente para RS-232 y RS-485 a fin de proporcionar protección de voltaje de sobretensión.

La conexión RS-485 puede usarse solamente como una transmisión RS-422 cuando se envían salidas continuas a un indicador o pantalla remota.

La interfaz RS422/485 se requiere para transmisión de datos con velocidad de baudios más alta en distancias más grandes de hasta 500 m.

Los parámetros de comunicación pueden configurarse en el menú de configuración del terminal.

1.9.2. E/S discretas

La opción de interfaz de E/S discretas proporciona cuatro salidas de relé de contacto en seco. Los contactos del relé conmutan a 30 VCD o 250 VCA a 1 A.

Las dos entradas pueden seleccionarse mediante interruptor como activas (para control simple de botón de presión) o pasivas (para conexión con dispositivos que suministran su propia energía para las entradas).

1.9.3. USB

El puerto USB proporciona un puente para dispositivo UART-USB que actúa como puerto COM virtual y se usa para comunicación de datos seriales hacia dispositivos como una PC. El puerto es bidireccional y puede configurarse para varias funciones como imprimir, impresión automática, salida continua Toledo o comunicaciones SICS. No es compatible con teclados y lectores de códigos de barras externos USB.

1.10. Pantalla y teclado

El IND231/IND236 utiliza una pantalla LCD de segmentos tipo transreflectivo con iluminación de fondo blanca. La altura de los caracteres principales es de 40 mm. El panel frontal, que incluye pantalla y teclado numérico, se muestra en la Figura 1-4. La única diferencia del teclado numérico entre el IND231 y el IND236 es el nombre en la esquina superior derecha del terminal.

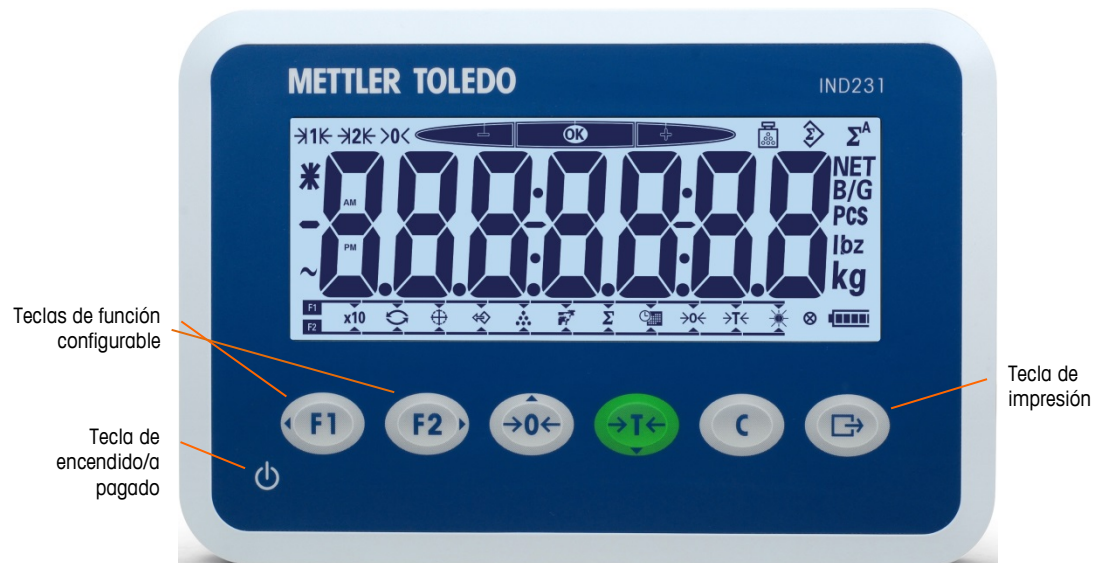


Figura 1-4: Disposición del panel frontal del IND231

1.10.1. Disposición de la pantalla

En la parte superior de la pantalla, una línea del sistema muestra el estado del terminal tal como número de rango, centro de cero, estado de pesaje de comprobación, conteo, acumulación y acumulación automática.

Debajo de la línea del sistema está el bloque de la pantalla de peso. Durante la operación de pesaje básica normal, la pantalla del terminal muestra el peso bruto o neto en el tamaño más grande de 40 mm (1.57"). Cuando se está ejecutando una de las aplicaciones, también se muestran mensajes de instrucción o caracteres del índice del menú en altura de 40 mm (1.57"). A la derecha de la pantalla de peso está una columna vertical que muestra los símbolos bruto y neto, el símbolo de pieza promedio y unidades de peso. El asterisco, el símbolo de menos y el símbolo dinámico aparecen en una columna a la izquierda del bloque de pantalla de peso.

En la parte interior de la pantalla de pesaje básico normal está un bloque que se usa para asignar funciones para **F1** y **F2**. Para la operación de la pantalla y teclado numérico durante la configuración, consulte el Capítulo 3, Configuración de la Guía del usuario.

1.10.2. Teclas del panel frontal

La interfaz del operador del terminal IND231/IND236 proporciona un total de siete teclas de membrana. Estas son la tecla de impresión y cinco teclas de función de la báscula (tres con función fija, dos con funciones configurables) colocadas debajo de la pantalla.

Las flechas en las primeras cuatro teclas indican su uso en la navegación en el menú.

La tecla de encendido/apagado se encuentra en la parte inferior izquierda de la pantalla. Estas teclas se usan para ingresar en el menú de configuración, para navegar y para seleccionar elementos de configuración como se describe en el Capítulo 2, **Operación** de la **Guía del usuario**.

2 Instalación

Este capítulo cubre

- Apertura de la caja
- Protección ambiental
- Montaje del terminal
- Instalación de cables y conexiones
- Instrucciones de la etiqueta de capacidad
- Cierre de la caja
- Sellado de la caja

Este capítulo proporciona instrucciones para la instalación del terminal IND231/IND236. Lea estos procedimientos detenidamente antes de comenzar la instalación.

Esta sección incluye detalles acerca de la apertura y montaje de la caja y explica cómo instalar cables y los PCB. También se proporcionan instrucciones para etiquetar, cerrar y sellar la caja.

2.1. Apertura de la caja

PRECAUCIÓN

ANTES DE CONECTAR O DESCONECTAR CUALQUIER COMPONENTE ELECTRÓNICO INTERNO O INTERCONECTAR EL CABLEADO ENTRE EL EQUIPO ELECTRÓNICO, SIEMPRE INTERRUMPA LA CORRIENTE Y ESPERE AL MENOS TREINTA (30) SEGUNDOS ANTES DE HACER CUALQUIER CONEXIÓN O DESCONEXIÓN. EL OMITIR ESTAS PRECAUCIONES PODRÍA RESULTAR EN DAÑOS O LA DESTRUCCIÓN DEL EQUIPO Y/O LESIONES PERSONALES.

El panel frontal del terminal IND231/IND236 está asegurado por cuatro tornillos que lo fijan en la parte posterior de la caja. Para tener acceso a la PCB del terminal para instalar opciones, conectar el cableado interno y colocar interruptores, separe el panel frontal de la caja como sigue:

1. Para el IND231, use un destornillador Torx T-20 para aflojar tres de los tornillos. Use un destornillador plano para aflojar el tornillo de sellado, indicado en la Figura 2-1.



Figura 2-1: Tornillos del IND231 (izquierda) y tornillo de sellado del IND236 (derecha)

2. Para el IND236, use una llave de cubo de 10 mm para aflojar tres de los tornillos. Use un destornillador de inserción de cabeza Allen de 5 mm para aflojar el tornillo de sellado,

indicado en la Figura 2-2. Observe que los tornillos son cautivos y permanecen fijos en la cubierta posterior del IND236.



Figura 2-2: Apertura de las cajas: IND231 (izquierda) e IND236 (derecha)

3. Separe la parte anterior de la caja de la parte posterior como se muestra en la Figura 2-3.

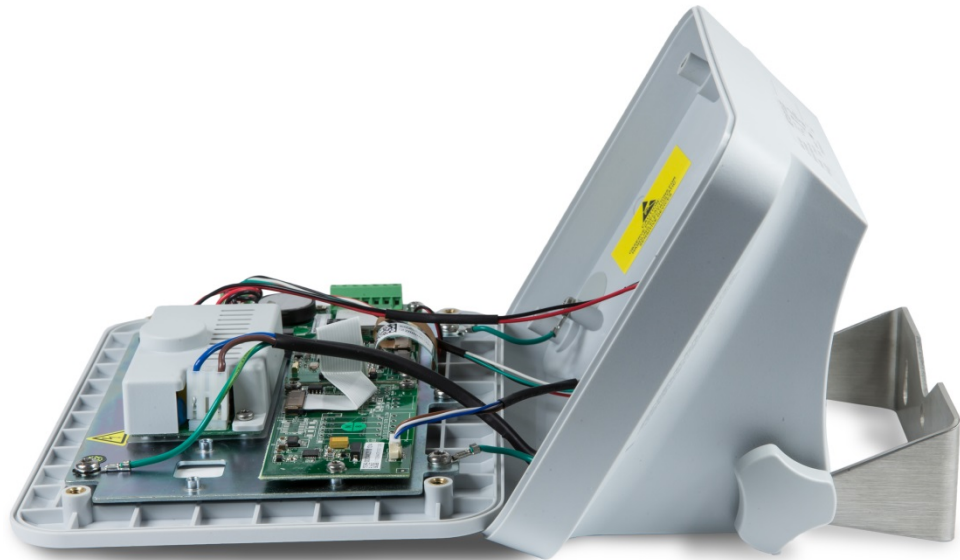


Figura 2-3: Retiro de la cubierta

2.2. Protección ambiental



ADVERTENCIA

EL TERMINAL IND231/IND236 NO ESTÁ DISEÑADO PARA USARSE EN ÁREAS CLASIFICADAS COMO PELIGROSAS DEBIDO A LAS ATMÓSFERAS COMBUSTIBLES O EXPLOSIVAS. NO INSTALE EL IND231/IND236 EN UN AMBIENTE EXPLOSIVO.

El terminal IND231/IND236 está diseñado para uso industrial estándar. El IND231 se ha probado y se comprobó que cumple con los estándares IP54. El IND236 cumple con los requerimientos de IP66/IP67.

2.3. Montaje del terminal

El terminal puede colocarse sobre un mostrador, fijarse a una superficie vertical o sujetarse a una columna. Monte el terminal donde su visualización sea óptima y el teclado del terminal pueda usarse con facilidad.

2.3.1. Montaje del IND231

2.3.1.1. Montaje en escritorio

El IND231 tiene dos patas de caucho autoadheribles (Figura 2-4) fijas en la parte inferior de la caja para prevenir el deslizamiento.



Figura 2-4: Patas de caucho del IND231

2.3.1.2. Montaje en pared y montaje en columna

Se incluyen un soporte de montaje y dos perillas de apriete con el terminal IND231. Estos pueden usarse para montar el terminal en una columna o en una superficie vertical.

1. Use dos perillas de soporte para fijar los soportes en la parte inferior del terminal, como se muestra en la Figura 2-5.

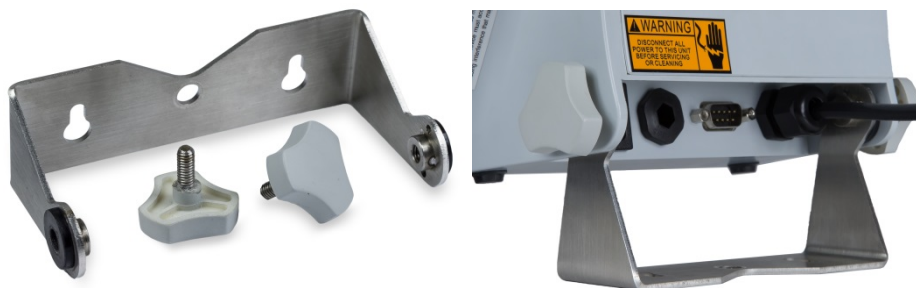


Figura 2-5: Soporte y perillas de apriete

2. El soporte permite un amplio rango de ajuste, como se muestra en la Figura 2-6.

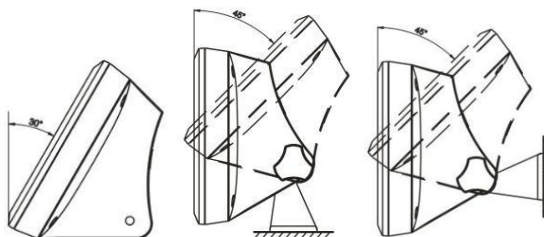


Figura 2-6: Ajuste del soporte para montaje en pared o columna

3. Marque la posición de los orificios de montaje del soporte en la superficie donde se montará el terminal de acuerdo con las dimensiones mostradas en la Figura 2-7, o sosteniendo el terminal sobre la superficie y marcando a través de los orificios del soporte.

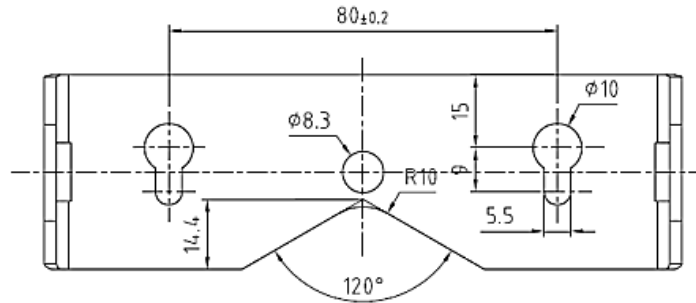


Figura 2-7: Plantilla de disposición de los orificios para los soportes de montaje

4. Los accesorios para montar los soportes del terminal no se incluyen con el terminal; usted debe comprarlos aparte. Asegúrese de que los accesorios de montaje puedan soportar el peso del terminal, que es aproximadamente de 2.0 kg (4.4 lb). Monte el soporte del terminal en la pared con los accesorios que compre.

2.3.2. Montaje del IND236

2.3.2.1. Montaje en escritorio

Quando se va a montar el terminal IND236 en una superficie plana, existe un soporte de montaje opcional para escritorio a la venta (NP: 22021070).

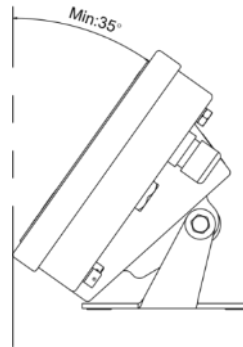


Figura 2-8: IND236 con soportes de montaje para escritorio

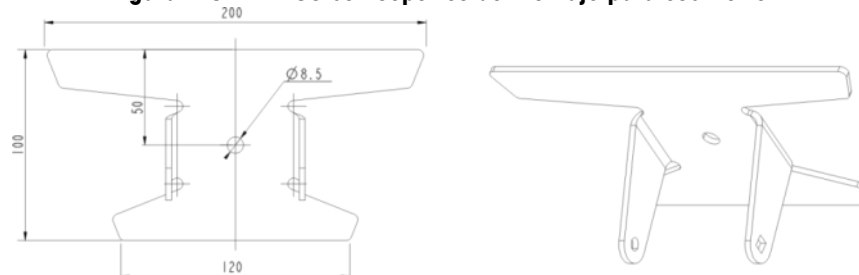


Figura 2-9: Dimensiones del soporte para escritorio del IND236

2.3.2.2. Montaje en pared y montaje en columna

El IND236 incluye un soporte de montaje. Este puede usarse para montar el terminal en una columna o en una superficie vertical. El soporte permite un amplio rango de ajuste, como se muestra en la Figura 2-10.

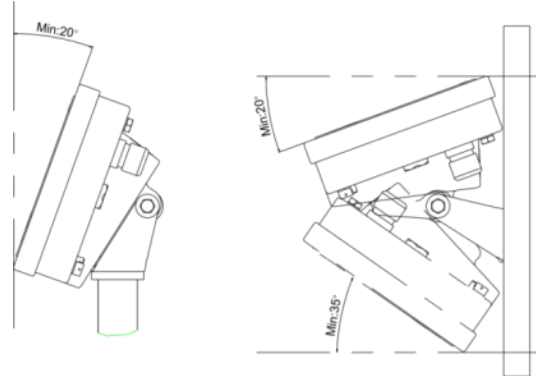


Figura 2-10: Montaje en columna (izquierda) y en pared (derecha) del IND236

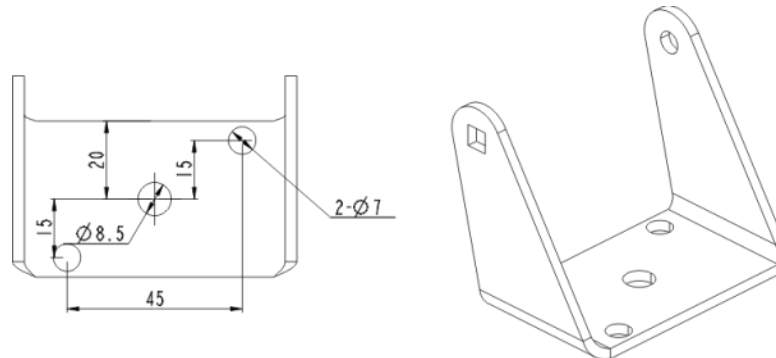


Figura 2-11: Dimensiones del soporte para pared y columna del IND236

2.4. Instalación de cables y conectores

Esta sección contiene información para instalar cables y conectores para el terminal IND231/IND236, incluyendo los siguientes:

- Conectores y casquillos de cables
- Asignaciones para apertura de la caja
- Identificación de la PCB
- Conexiones para cableado de la tarjeta principal
- Conexión de energía de corriente alterna
- Conexiones para la tarjeta de carga y paquete de baterías recargables
- Conexión para celda de carga analógica
- Conexión del puerto serial COM1

- Conexiones de cables para otras opciones

2.4.1. Conectores y casquillos de cables

El IND231 utiliza un casquillo para corriente estándar (IEC320 C14) y conectores DSUB-9 para comunicación del RS-232. Los casquillos para cables se usan para las conexiones de las celdas de carga y opciones.

El terminal IND236 está diseñado para resistir ambientes húmedos intensos. No obstante, se debe tener cuidado cuando se instalen cables o conectores que ingresen en la caja del terminal. Para asegurar un sellado hermético:

- Antes de conectar los alambres, pase los cables a través de un casquillo para cables de tamaño adecuado. La Figura 2-12 muestra un casquillo para cable con la tuerca de fijación removida.

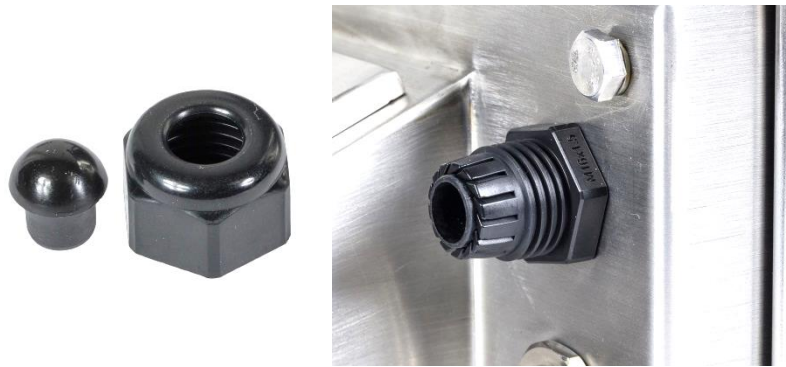


Figura 2-12: Casquillo para cables

- Dependiendo del diámetro del cable a instalarse, seleccione uno de los anillos aislantes de caucho (si es necesario) (Tabla 2-1) para sellar correctamente el cable.

Tabla 2-1: Tamaños de casquillos, anillos aislantes y cables

Anillo aislante	Diámetro del cable	
	IND231 Casquillo de cable de celda de carga	IND236 y casquillo para cable opcional
Ninguno	4–8 mm	5–10 mm
Anillo aislante pequeño	3–6.5 mm	4.5–6.8 mm

- Al hacer terminaciones de cables dentro de la caja, asegúrese de que toda la longitud del cable desde la cinta/conector hasta la caja del terminal sea suficiente para que no se ejerza ninguna tensión en el mecanismo del conector cuando la caja esté totalmente abierta.
- Después de hacer las conexiones de cables como se describe en la siguiente sección, asegúrese de que la tuerca del casquillo del cable esté apretada adecuadamente para sellar el cable. El sello debe ser hermético al agua.

2.4.1.1. Asignaciones para apertura de la caja

La Figura 2-13 muestra las aberturas en la caja del IND231.

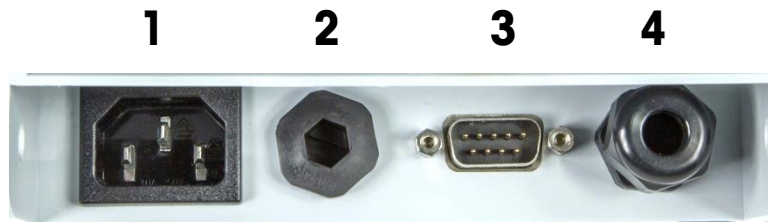


Figura 2-13: Aberturas de la caja del IND231

La Figura 2-14 muestra las aberturas de la caja del IND236 y la Tabla 2-2 indica la asignación de cada abertura.



Figura 2-14: Aberturas de la caja del IND236

Tabla 2-2: Asignaciones de conectores y casquillo del cable

Posición	Asignación		
	Conexión estándar	Conexión opcional	
1	Cordón eléctrico de CA	-	
2	Ninguna (puerto opcional)	RS-232/422/485 aislados	USB E/S digitales
3	COM1 (RS-232)	-	
4	Cable de la celda de carga	-	

2.4.2. Identificación de la PCB

Todas las tarjetas de circuito del terminal IND231/IND236 se montan en la unidad de soporte de la PCB. La tarjeta de conexión de CA solo se necesita para el IND236. La tarjeta de carga solo se usa en terminales que funcionan con un paquete de baterías recargables. Todas las tarjetas opcionales se montan en el mismo lugar. La Figura 2-15 muestra la ubicación de cada tipo de tarjeta.

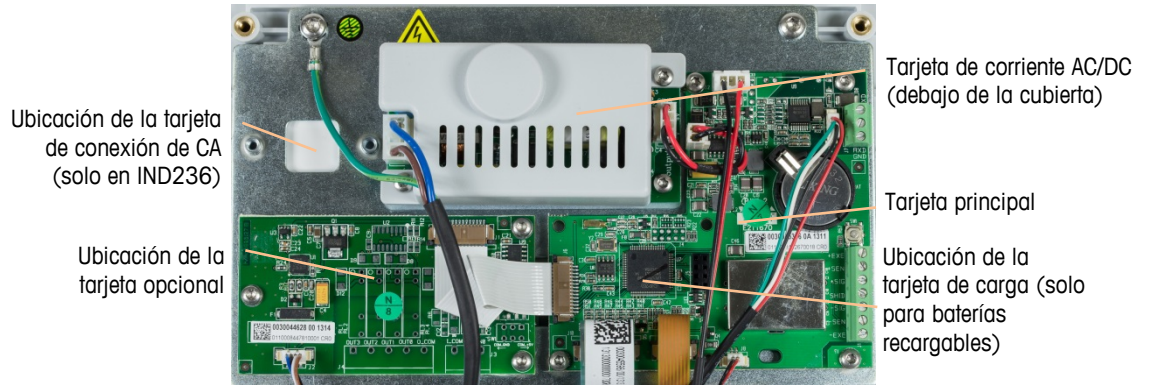


Figura 2-15: Ubicaciones de las tarjetas de circuito

2.4.3. Conexiones para cableado de la tarjeta principal

La Figura 2-16 muestra la asignación de conectores en la tarjeta principal. Asegúrese de conectar los cables en el conector correspondiente.

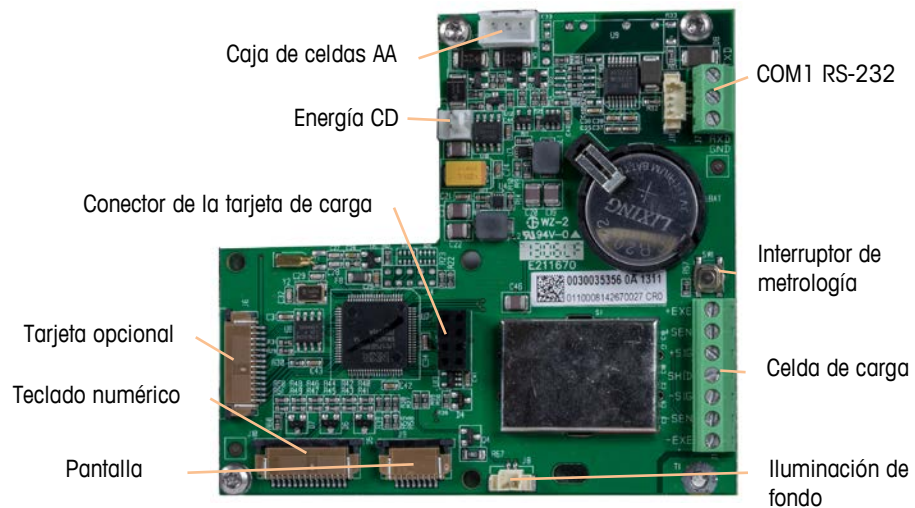


Figura 2-16: Conexiones de la tarjeta principal

El interruptor de metrología es un interruptor de contacto momentáneo. Cuando se presiona, el terminal ingresa en el menú de configuración de la báscula F1, donde pueden configurarse los parámetros de la báscula. **Este es el único método para cambiar parámetros de la báscula en un terminal aprobado.** Consulte las secciones **Ingreso al modo de configuración** y **Báscula | Aprobación de tipo** en el Capítulo 3 de la Guía del usuario, **Configuración** para más detalles.

2.4.4. Conexión de energía de corriente alterna

La Figura 2-17 muestra una tarjeta de energía CA sin su cubierta protectora.



Figura 2-17: Tarjeta de energía

Se proporciona un cordón de corriente externa con un conector de energía estándar (IEC320 C14) para el IND231.

Un cordón de línea permanente fijo alimenta corriente alterna a la versión de corriente alterna del terminal IND236. El cable de conexión a tierra tiene un terminal de bucle para conexión con la conexión a tierra dentro del terminal (Figura 2-18).

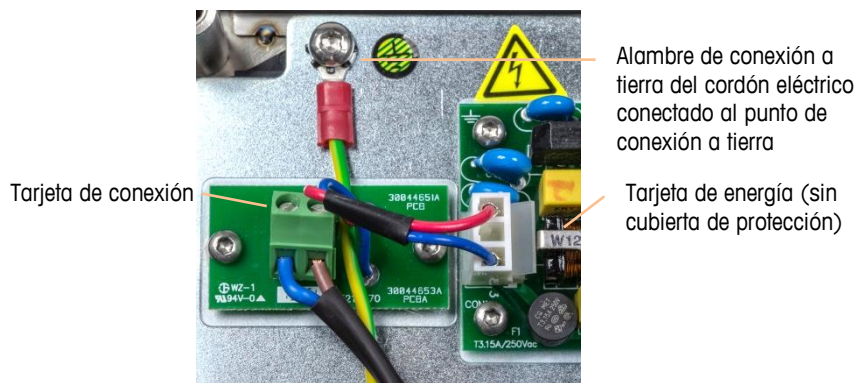


Figura 2-18: Tarjeta de conexión de energía CA y conexión a tierra del IND236

En el IND236, una PCB de interfaz transfiere energía desde el cordón de línea hacia la tarjeta de energía (Figura 2-18).

El terminal requiere de 100 a 264 VCA (a 176 mA máximo) con una frecuencia de línea de 49 a 61 Hz de potencia. Tiene fusibles internos de 3.15 A, 250 voltios.

La integridad de la conexión a tierra de la corriente para el equipo es importante para la seguridad y operación confiable del terminal y su base asociada de báscula. Una conexión a tierra deficiente puede resultar en una condición insegura en caso de corto eléctrico generado en el equipo. Una buena conexión a tierra minimiza los impulsos de ruido eléctrico externo. El IND231/IND236 no deberá compartir líneas eléctricas con equipo que genera ruido. Para confirmar la integridad de la conexión a tierra, utilice un analizador de circuitos comercial. En caso de existir condiciones adversas de energía, podrá ser necesario contar con un circuito de potencia dedicado o un acondicionador de líneas de energía.



ADVERTENCIA

PARA PROTECCIÓN CONTINUA CONTRA CHOQUE ELÉCTRICO CONECTE CORRECTAMENTE EN UNA TOMA CON CONEXIÓN A TIERRA SOLAMENTE. NO RETIRE EL POLO DE CONEXIÓN A TIERRA.

2.4.5. Conexión de celda de carga analógica

AVISO

PARA EVITAR DAÑOS A LA PCB O A LA CELDA DE CARGA, INTERRUMPA LA ENERGÍA DEL TERMINAL IND231/IND236 Y ESPERE POR LO MENOS 30 SEGUNDOS ANTES DE CONECTAR O DESCONECTAR CUALQUIER ARNÉS.

Las conexiones de las celdas de carga se hacen en el conector de celdas de carga en la tarjeta principal, indicada en la Figura 2-16.

El terminal IND231/IND236 está diseñado para energizar hasta cuatro celdas de carga de 350 ohmios (o una resistencia mínima de aproximadamente 87 ohmios). Para confirmar que la celda de carga para esta instalación esté dentro de los límites, se debe calcular la resistencia total de la báscula de la siguiente manera:

$$TSR = \frac{\text{Resistencia de entrada de la celda de carga (ohmios)}}{\text{Número de celdas de carga}}$$

Antes de conectar las celdas de carga, compruebe que la TSR de la red de trabajo de las celdas de carga a ser conectada al IND231/IND236 tenga una resistencia mayor que los mínimos indicados anteriormente. Si la resistencia está por debajo del mínimo, el IND231/IND236 no funcionará correctamente.

Además, se debe revisar la distancia máxima del cable. La Tabla 2-3 proporciona las longitudes máximas para cables con base a la TSR y calibre de los cables.

Tabla 2-3: Longitudes máximas recomendadas para cables

TSR (ohmios)	Calibre 24 (metros/pies)	Calibre 20 (metros/pies)	Calibre 16 (metros/pies)
350	243/800	610/2000	1219/4000
87 (4-350 ohmios)	60/200	182/600	304/1000

El terminal IND231/IND236 está diseñado para trabajar con celdas de carga de 2 mV/V y 3 mV/V del mismo circuito. No se requiere una conexión en puente de selección de capacidad de salida de celda de carga.

La Tabla 2-4 y la Figura 2-19 muestran las definiciones del terminal para la tablilla de terminales de las celdas de carga. Observe que cuando se usan celdas de carga de cuatro cables, se deben colocar conexiones en puente entre los terminales +Excitación y +Detección y entre los terminales –Excitación y –Detección.

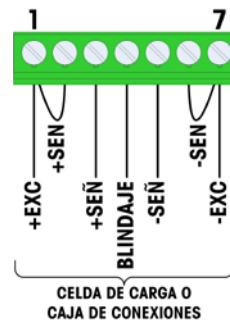
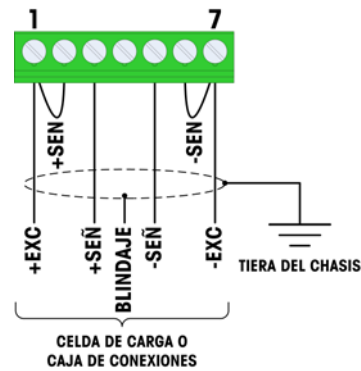
Tabla 2-4: Asignaciones de patilla de terminación de celdas de carga

Patilla	Señal
1	+EXC
2	+SEN
3	+SIG
4	Blindaje
5	-SIG
6	-SEN
7	-EXC

Celdas de 4 cables

NOTAS

1. USE ALAMBRE BLINDADO DE SEIS CONDUCTORES PARA EL CABLE DE CONEXIÓN
2. CELDAS DE 4 CABLES SIMPLES: CONEXIÓN EN PUENTE +EXC HACIA +SEN Y CONEXIÓN EN PUENTE -EXC HACIA -SEN EN TERMINALES IND231/IND236
3. CELDAS DE CARGA DE 4 ALAMBRES MÚLTIPLES: CONEXIÓN EN PUENTE +EXC HACIA +SEN Y CONEXIÓN EN PUENTE -EXC HACIA -SEN EN TERMINALES DE ENTRADA DE LA CAJA DE CONEXIONES
4. TAMAÑO DEL CABLE: 18 AWG (0.823 mm²) MÁX., 24 AWG (0.205 mm²) MÍN.



Celdas de 6 cables

NOTAS

1. USE ALAMBRE BLINDADO DE SEIS CONDUCTORES PARA EL CABLE DE CONEXIÓN
2. TAMAÑO DEL CABLE: 18 AWG (0.823 mm²) MÁX., 4 AWG (0.205 mm²) MÍN.

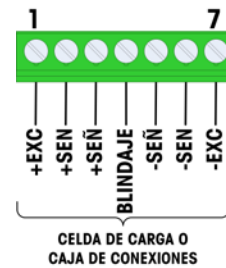
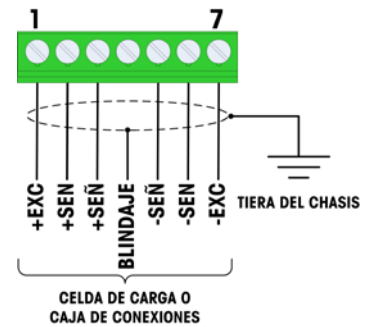


Figura 2-19: Terminación de la celda de carga, conexión a tierra del chasis (arriba) y conexión a tierra de patilla (abajo)

- Cuando use un cable estándar de cuatro alambres, si el incremento en la carga resulta en disminución en la pantalla de peso, invierta los alambres de señal (+SIG y -SIG).

2.4.5.1. Blindaje de la celda de carga analógica e instalación de la ferrita

Hay dos métodos para la terminación del blindaje del cable de la celda de carga analógica: en la conexión a tierra del chasis o en la patilla de conexión a tierra del conector. Los dos métodos se ilustran a continuación.

Con cualquier método, para cumplir con ciertos límites de emisión de ruido eléctrico y para proteger el IND231/IND236 de influencias externas, se debe instalar un núcleo de ferrita en el cable de la celda de carga conectado en el terminal. El núcleo de ferrita se incluye con el terminal básico.

2.4.5.1.1. IND231 – Conexión en el conector de la celda de carga

Cuando el cable de la celda de carga que está siendo conectado tiene un alambre conectado en el blindaje, puede terminarse en la patilla central del conector de la celda de carga.

1. El cable de la celda de carga se dirige hacia dentro de la caja como se indica en la Figura 2-20.



Figura 2-20: Conexión a tierra de la patilla de la celda de carga analógica e instalación de la ferrita, IND231

- Tenga en cuenta que el cable blindado no pasa a través de la ferrita.
2. Coloque la ferrita sobre el cable de la celda de carga como se indica.
 3. Conecte los alambres de la celda de carga en el conector de la tarjeta madre. Consulte el código de colores de alambres de la celda de carga que está siendo conectada, y la Figura 2-19.
 4. Use un amarre para alambre para asegurar los alambres en el alambre de bisagra de la caja.

2.4.5.1.2. IND231 – Conexión con la conexión a tierra del chasis

Cuando el cable de la celda de carga que está siendo conectado no tiene un alambre conectado al blindaje, el blindaje debe terminarse en la conexión a tierra del chasis usando el siguiente procedimiento.

1. El cable de la celda de carga entra a la caja a través del casquillo para cable indicado en la Figura 2-23.
2. Prepare el cable de la celda de carga al retirar la cubierta exterior y recortar el alambre del blindaje exterior como se muestra en la Figura 2-21.



Figura 2-21: Cable de la celda de carga con el blindaje exterior removido y el alambre del blindaje recortado

3. Pliegue el alambre del blindaje hacia atrás sobre la cubierta externa del cable.



Figura 2-22: Cable de la celda de carga con alambre del blindaje replegado

4. La pinza de conexión a tierra incluida con el terminal se usa para conectar el blindaje expuesto (Figura 2-22) con la placa de montaje metálica usando el tornillo de fijación del alambre de bisagra de la caja, como se muestra en la Figura 2-23.
5. La ferrita incluida con el terminal se coloca sobre el extremo del cable y los alambres se conectan en el conector de la celda de carga. Consulte el código de colores de alambres de la celda de carga que está siendo conectada, y la Figura 2-19.

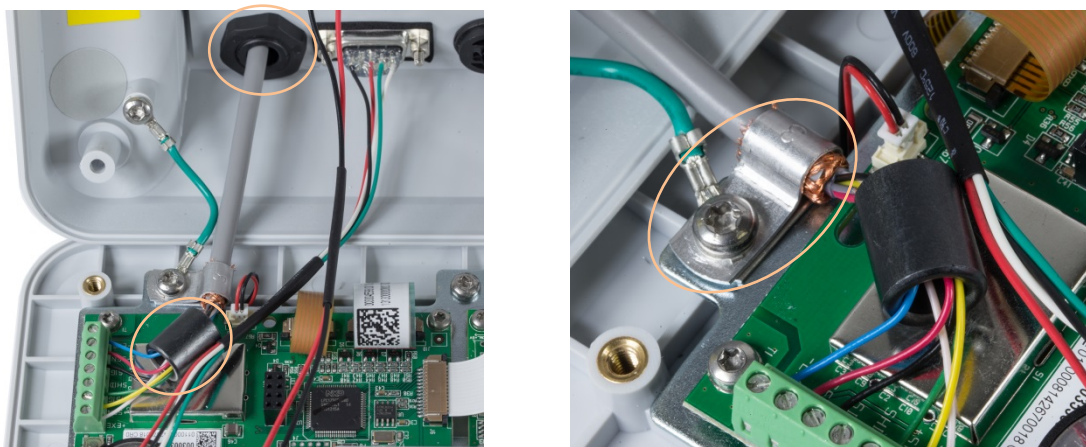


Figura 2-23: Instalación de la ferrita del cable de la celda de carga analógica y conexión a tierra del chasis, IND231

2.4.5.1.3. IND236 – Conexión en el conector de la celda de carga

Cuando el cable de la celda de carga que está siendo conectado tiene un alambre conectado en el blindaje, puede terminarse en la patilla central del conector de la celda de carga.

1. El cable de la celda de carga se dirige hacia dentro de la caja a través del casquillo para cable indicado en la Figura 2-24.

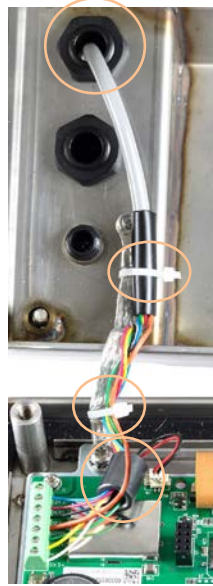


Figura 2-24: Conexión a tierra de la patilla de la celda de carga analógica e instalación de la ferrita, IND236

- Tenga en cuenta que el cable blindado no pasa a través de la ferrita.
2. Coloque la ferrita sobre el extremo del cable de la celda de carga y conecte los alambres de la celda de carga en el conector de la tarjeta madre. Consulte el código de colores de alambres de la celda de carga que está siendo conectada, y la Figura 2-19.
 3. Use dos amarres para alambre para formar un haz con los alambres del cable de la celda de carga y el alambre de bisagra de la caja.

2.4.5.1.4. IND236 – Conexión con la conexión a tierra del chasis

Cuando el cable de la celda de carga que está siendo conectado no tiene un alambre conectado al blindaje, el blindaje debe terminarse en la conexión a tierra del chasis usando el siguiente procedimiento.

1. El cable de la celda de carga se dirige hacia dentro de la caja a través del casquillo para cable indicado en la Figura 2-27.
2. Prepare el cable de la celda de carga al retirar la cubierta exterior y recortar el alambre del blindaje exterior como se muestra en la Figura 2-25.



Figura 2-25: Cable de la celda de carga con el blindaje exterior removido y el alambre del blindaje recortado

3. Pliegue el alambre del blindaje hacia atrás sobre la cubierta externa del cable.



Figura 2-26: Cable de la celda de carga con alambre del blindaje replegado

4. Coloque la pinza de conexión a tierra incluida con el terminal sobre el alambre del blindaje expuesto (consulte la Figura 2-26).

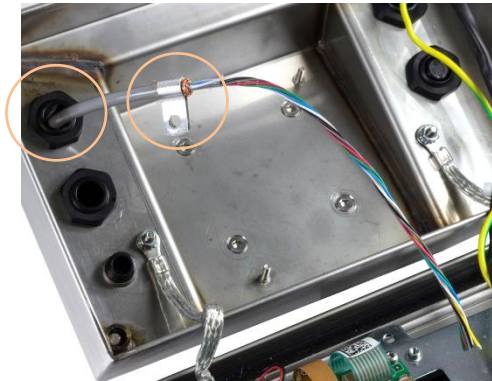


Figura 2-27: Cable de la celda de carga entrando en la caja del IND236, con pinza de conexión a tierra del chasis

5. Conecte la pinza de conexión a tierra en la caja con el tornillo de fijación de la bisagra de la caja, como se muestra en la Figura 2-28 (izquierda).

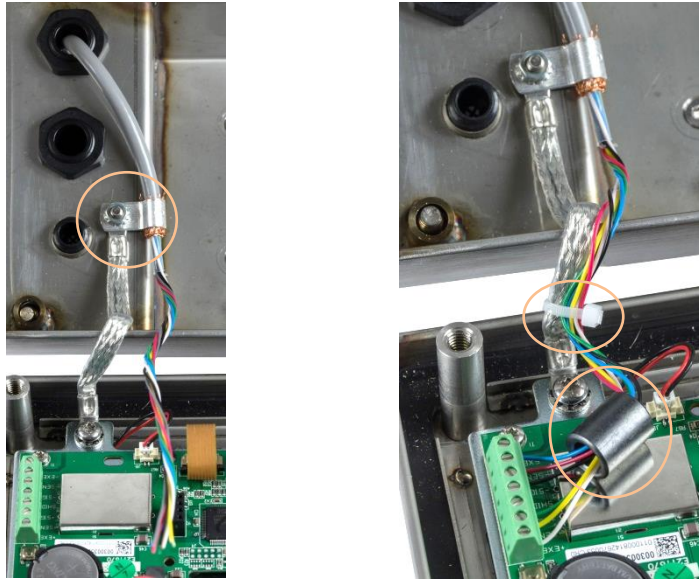


Figura 2-28: Instalación de la ferrita del cable de la celda de carga analógica y conexión a tierra del chasis, IND236

6. Coloque la ferrita sobre el cable de la celda de carga como se indica.
7. Conecte los alambres de la celda de carga en el conector de la tarjeta principal. Consulte el código de colores de alambres de la celda de carga que está siendo conectada, y la Figura 2-19.
8. Use un amarre para alambre para asegurar los alambres en el alambre de bisagra de la caja.

2.4.6. Conexión del puerto serial COM1

El puerto COM1 (REF) proporciona una conexión RS-232 para dispositivos seriales externos. La Figura 2-29 y la Tabla 2-5 indican qué terminal lleva qué señal en el puerto COM1 (DSUB-9) del IND231.

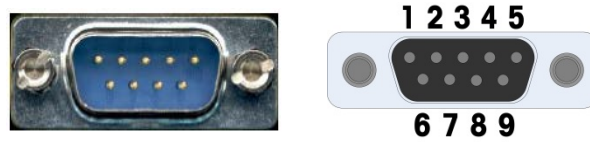


Figura 2-29: Puerto COM1 del IND231

Tabla 2-5: Señales del puerto COM1 del IND231

Terminal	Señal	
Patilla 2	RxD	Recepción RS-232
Patilla 3	TxD	Transmisión RS-232
Patilla 5	Gnd	Tierra lógica

En el IND236, el conector RS-232 está en la tarjeta principal (consulte la Figura 2-16). El cable de comunicación entra en la caja a través del casquillo del cable (consulte la Figura 2-14) y se conecta en el puerto COM1 en la tarjeta principal.

En la Figura 2-30 se muestra un ejemplo de conexión a través del RS-232 con equipo externo. Haga las conexiones según sea necesario.

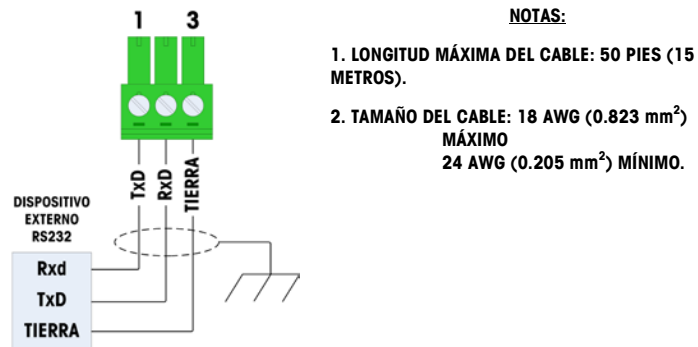


Figura 2-30: Conexión de ejemplo del COM1 en el IND236

2.4.7. Conexiones de cables para otras opciones

Las opciones disponibles para el terminal IND231/IND236 que requieren conexiones externas incluyen las siguientes:

- COM2 con RS-232/422/485 aisladas
- Interfaz USB
- Interfaz de E/S discretas

2.4.7.1. COM2 con RS-232/422/485 aisladas opcionales

El COM2 con tarjeta opcional de RS-232/422/485 (Figura 2-31) proporciona un solo puerto serial aislado.

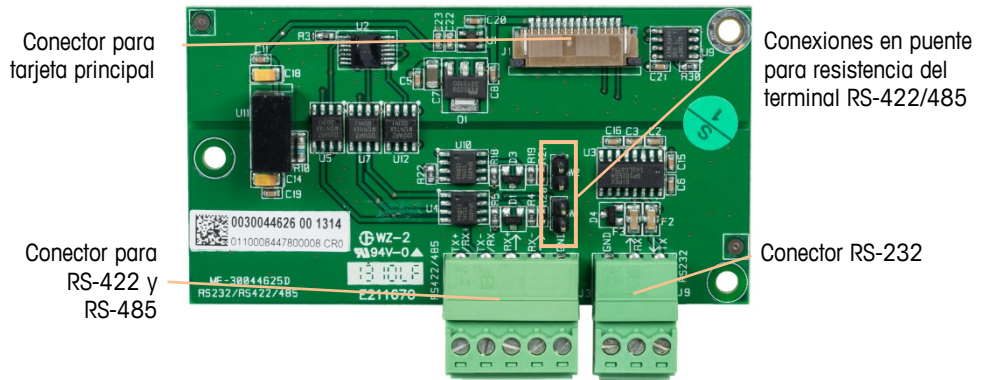


Figura 2-31: COM2 con RS-232/422/485

El puerto COM2 proporciona conexiones RS-232, RS-422 y RS-485. La conexión del hardware debe configurarse en la sección Comunicación del menú de configuración; consulte el Capítulo 3, **Configuración**. La Figura 2-33 y la Tabla 2-6 muestran los detalles de la conexión.

Las conexiones en puente en la tarjeta (W1 y W2, indicadas en la Figura 2-31) están abiertas en forma predeterminada. Estas habilitan la conexión de una resistencia de terminal de 120 ohmios para las señales RS-422 y RS-485 A/B. Si es necesario habilitar la resistencia del terminal, conecte en cortocircuito las conexiones en puente como se muestra en la Figura 2-32.

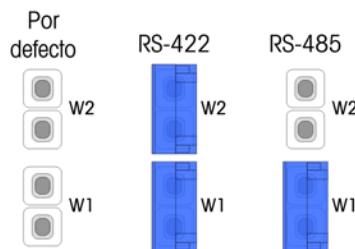


Figura 2-32: Posiciones de las conexiones en puente del COM2

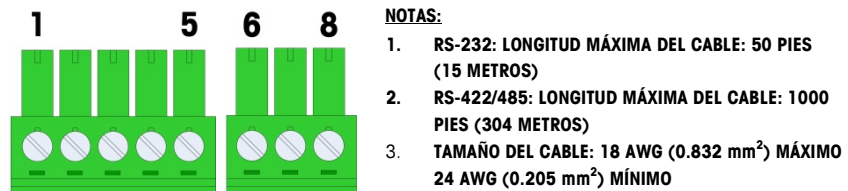


Figura 2-33: Señales del puerto COM2

Tabla 2-6: Asignaciones de patillas del puerto serial aislado

Terminal	Señales	Descripción
Patilla 1	TX/RX+	Datos RS-485 A o datos de transmisión de RS-422 A
Patilla 2	TX/RX-	Datos RS-485 B o datos de transmisión de RS-422 B

Terminal	Señales	Descripción
Patilla 3	RX+	Datos de recepción de RS-422 A
Patilla 4	RX-	Datos de recepción de RS-422 B
Patilla 5	TIERRA	Tierra lógica para RS-422/485
Patilla 6	TIERRA	Tierra lógica para RS-232
Patilla 7	RX	Recepción RS-232
Patilla 8	TX	Transmisión RS-232

2.4.7.2. Opción de dispositivo USB

Esta tarjeta opcional proporciona un puerto de conexión simple tipo B mini USB, que se muestra en la Figura 2-35. El puerto mini USB es una interfaz tipo dispositivo (no hospedador), y funciona básicamente como puerto serial. Se requiere un cable externo mini USB tipo B de contacto para conectar con este puerto.

El puerto está equipado con un tapón que se atornilla cuando el puerto no está en uso.

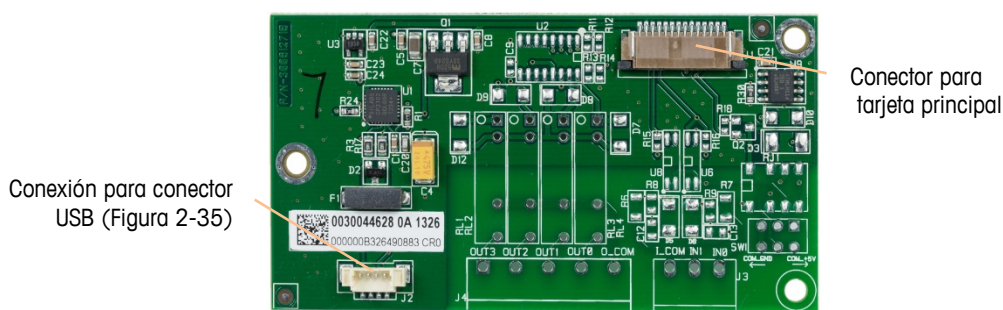


Figura 2-34: Tarjeta opcional USB

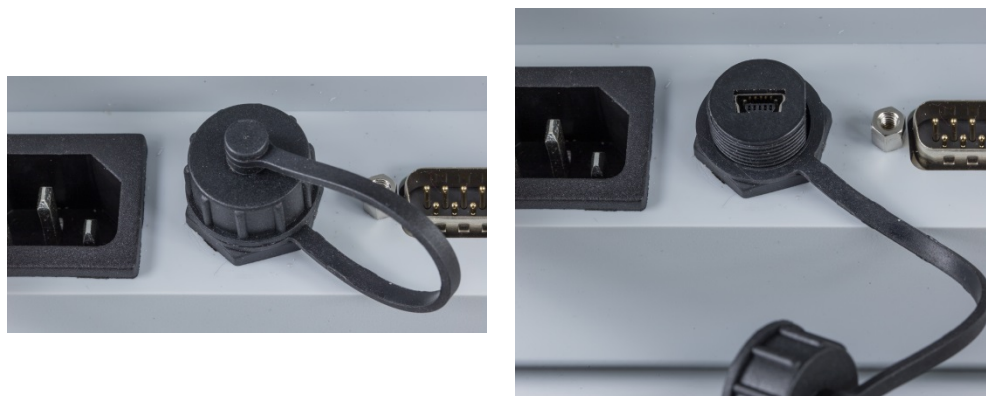


Figura 2-35: Conector mini USB y tapón

2.4.7.3. Opción de E/S discretas

Esta tarjeta opcional proporciona dos entradas aisladas y cuatro salidas de relé, normalmente abiertas, de contacto en seco. Las entradas pueden seleccionarse como activas o pasivas, dependiendo de la posición del interruptor deslizable indicado en la Figura 2-36.



Figura 2-36: Tarjeta opcional de E/S discretas

2.4.7.3.1. Interruptor de E/S discretas

Un interruptor en la tarjeta de E/S discretas selecciona si las entradas serán activas o pasivas. Asegúrese de que el interruptor esté puesto en la posición correcta antes de cablear hacia las entradas. La Figura 2-37 muestra la ubicación del interruptor y las posiciones activa y pasiva.

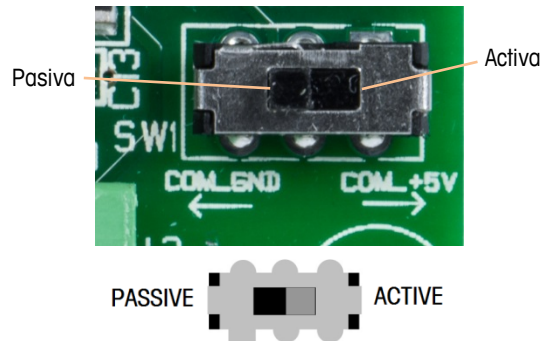


Figura 2-37: Interruptor de E/S discretas

2.4.7.3.2. Entrada activa

Al seleccionar las entradas como activas se habilita la conexión de interruptores u otros dispositivos simples para activar una entrada. El dispositivo externo simple no suministra ningún voltaje.

La Figura 2-38 muestra un ejemplo de cómo cablear las entradas activas.

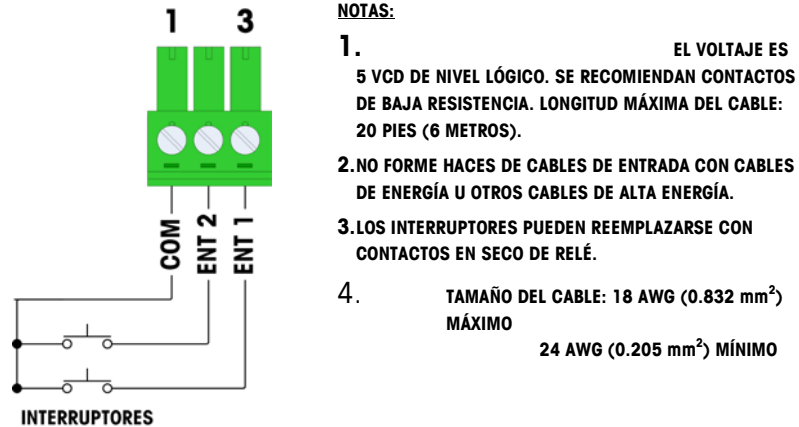


Figura 2-38: Conexiones de entradas activas

2.4.7.3.3. Entrada pasiva

La selección de las entradas como pasivas habilita otros dispositivos como los PLC para proporcionar el voltaje de accionamiento (comúnmente 12 o 24 VCD, máximo 30 VCD) para “encender” las entradas del IND231/236.

La Figura 2-39 muestra un ejemplo de cableado de las entradas pasivas con el +V al común.

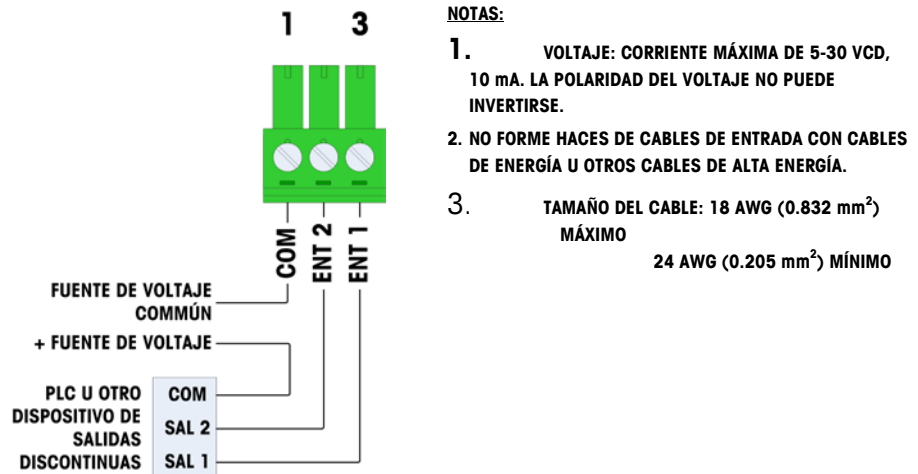
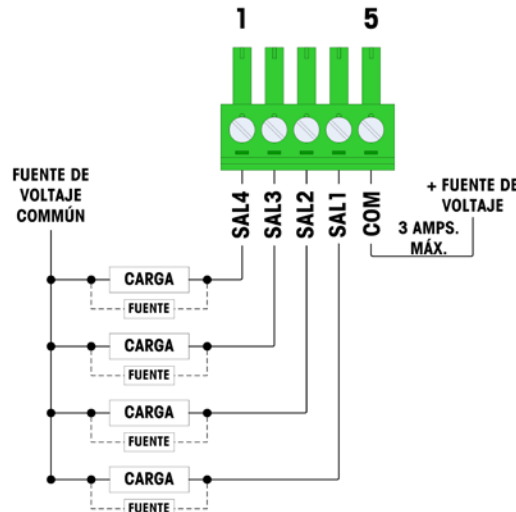


Figura 2-39: Conexiones de entradas pasivas

2.4.7.3.4. Salidas de relé

Las salidas de relé pueden cambiarse hasta 250 VCA o 30 VCD a 1 A máximo. Las salidas de relé no detectan la polaridad puesto que son salidas de contacto en seco. La Figura 2-40 muestra un ejemplo de cableado hacia las salidas.



NOTAS:

1. RELÉS DE CONTACTO EN SECO.
2. CLASIFICACIÓN DE LOS CONTACTOS DE RELÉ:
 CA: 24-250 VCA, 1.0 A HACIA CARGA DE RESISTENCIA
 CD: 5-30 VCD, 1.0 A HACIA CARGA DE RESISTENCIA.
 ENERGÍA MÁXIMA DE CONMUTACIÓN: 250 VA, 30 W.
3. CORRIENTE DE CIRCUITO DE SALIDA MÁXIMA = 3 A
4. TODAS LAS CARGAS INDUCTIVAS DEBEN SUPRIMIRSE.
5. TAMAÑO DEL CABLE:
 18 AWG (0.832 mm²) MÁXIMO
 24 AWG (0.205 mm²) MÍNIMO

Figura 2-40: Salidas de relé

2.5. Instrucciones de la etiqueta de capacidad

Las regulaciones de algunos lugares requieren que se muestre la capacidad de la báscula y sus intervalos de medición en la parte frontal del terminal, cerca de la pantalla. Para cumplir con este requerimiento, se incluye con el terminal una etiqueta de capacidad de color azul que debe ser llenada y colocada en el revestimiento.

La etiqueta de capacidad (mostrada en la Figura 2-41) proporciona espacio para la máxima (Max), mínima (min) e información "e" para cada rango para el cual está programada la báscula. La parte no usada de la etiqueta puede cortarse con tijeras. La información escrita debe ser legible y medir como mínimo 2 mm (0.08 pulgadas) de altura. Se debe usar un marcador permanente.

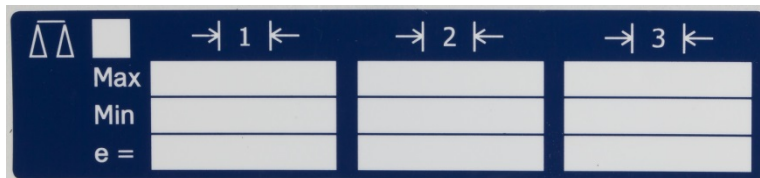


Figura 2-41: Etiqueta de capacidad

Limpie cualquier aceite o contaminante del área donde se colocará la etiqueta de capacidad. Desprenda la película protectora de la etiqueta y adhiérala al revestimiento o en un lugar aceptable según las regulaciones locales.

2.6. Cierre de la caja

Una vez que se haya realizado todo el trabajo en el terminal, la caja debe cerrarse. Apriete los tornillos para asegurar la cubierta en su lugar; consulte la sección Apertura de la caja en la página A-1.

2.6.1. Especificaciones de torque para sujetadores de cajas

Los sujetadores de las cajas deben apretarse a las siguientes especificaciones:

IND231: 1.5 Nm

IND236: 5.5 Nm

2.7. Sellado de la caja

Cuando el terminal IND231/IND236 se usa en una aplicación "aprobada" por metrología, debe estar protegido contra alteraciones mediante el uso de un sello. Las cajas usan solo un sello de seguridad de alambre, el cual se incluye con el terminal.

Lo siguiente debe cumplirse para sellar el terminal:

- Debe haber una base de báscula conectada al terminal a través de un casquillo para cable de celda de carga, y la caja y casquillos para cable deben estar apretados correctamente.
- El sello debe prevenir la remoción del terminal de los medios que contienen datos de calibración.
- El sello debe prevenir el acceso a la configuración de todas las funciones significativas de metrología.

Para conocer los detalles de sellado del terminal IND231/IND236, consulte la Figura 2-42 y siga estos pasos:

1. Asegúrese de haber seleccionado la región de aprobación correcta en la configuración, en la sección **F1.1.2 Aprobación**.
2. Con el panel frontal instalado en la caja y los tornillos de sujeción colocados, inserte el extremo libre del sello de alambre a través del tornillo de sellado del IND231/IND236, y a través del orificio en la estructura de sellado de la caja (Figura 2-42).



Figura 2-42: Instalación del sello, IND231 (izquierda) e IND236 (derecha)

3. Inserte el extremo del cable de alambre a través del orificio del sello de plástico (Figura 2-43, izquierda), elimine cualquier holgura en el cable y cierre bien el sello (Figura 2-43, derecha). Recorte cualquier exceso de alambre.



Figura 2-43: Cierre del sello

IND231/IND236

Wägeterminal



Deutsch

METTLER TOLEDO

IND231/IND236

Wägeterminal

METTLER TOLEDO Service

Wichtige Services zur Gewährleistung einer zuverlässigen Performance

Herzlichen Glückwunsch zu Ihrer Wahl der Qualität und Präzision von METTLER TOLEDO. Der ordnungsgemäße Gebrauch Ihres neuen Geräts gemäß dieses Handbuchs sowie die regelmäßige Kalibrierung und Wartung durch unser im Werk geschultes Serviceteam gewährleisten den zuverlässigen und genauen Betrieb und schützen somit Ihre Investition. Setzen Sie sich mit uns in Verbindung, wenn Sie an einem Service-Vertrag interessiert sind, der genau auf Ihre Anforderungen und Ihr Budget zugeschnitten ist. Weitere Informationen erhalten Sie unter www.mt.com/service.

Zur Optimierung des Nutzens, den Sie aus Ihrer Investition ziehen, sind mehrere wichtige Schritte erforderlich:

1. **Registrierung des Produkts:** Wir laden Sie dazu ein, Ihr Produkt unter www.mt.com/productregistration zu registrieren, damit wir Sie über Verbesserungen, Updates und wichtige Mitteilungen bezüglich Ihres Produkts informieren können.
2. **Kontaktaufnahme mit METTLER TOLEDO zwecks Service:** Der Wert einer Messung steht im direkten Verhältnis zu ihrer Genauigkeit – eine nicht den Spezifikationen entsprechende Waage kann zu Qualitätsminderungen, geringeren Gewinnen und einem höheren Haftbarkeitsrisiko führen. Fristgerechte Serviceleistungen von METTLER TOLEDO stellen die Genauigkeit sicher, reduzieren Ausfallzeiten und verlängern die Gerätelebensdauer.
 - a. **Installation, Konfiguration, Integration und Schulung:** Unsere Servicevertreter sind vom Werk geschulte Experten für Wägeausrüstungen. Wir stellen sicher, dass Ihre Wägegeräte auf kostengünstige und termingerechte Weise für den Einsatz in der Produktionsumgebung bereit gemacht werden und dass das Bedienungspersonal so geschult wird, dass ein Erfolg gewährleistet ist.
 - b. **Erstkalibrierungsdokumentation:** Die Installationsumgebung und Anwendungsanforderungen sind für jede Industriewaage anders; deshalb muss die Leistung geprüft und zertifiziert werden. Unsere Kalibrierungsservices und Zertifikate dokumentieren die Genauigkeit, um die Qualität der Produktion sicherzustellen und für erstklassige Aufzeichnungen der Leistung zu sorgen.
 - c. **Periodische Kalibrierungswartung:** Ein Kalibrierungsservicevertrag bildet die Grundlage für Ihr Vertrauen in Ihr Wägeverfahren und stellt gleichzeitig eine Dokumentation der Einhaltung von Anforderungen bereit. Wir bieten eine Vielzahl von Serviceprogrammen an, die auf Ihre Bedürfnisse und Ihr Budget maßgeschneidert werden können.

© METTLER TOLEDO 2013

Dieses Handbuch darf ohne die ausdrückliche schriftliche Genehmigung von METTLER TOLEDO weder ganz noch teilweise in irgendeiner Form oder durch irgendwelche Mittel, seien es elektronische oder mechanische Methoden, einschließlich Fotokopieren und Aufzeichnen, für irgendwelche Zwecke reproduziert oder übertragen werden.

Durch die US-Regierung eingeschränkte Rechte: Diese Dokumentation wird mit eingeschränkten Rechten bereitgestellt.

Copyright 2013 METTLER TOLEDO. Diese Dokumentation enthält eigentumsrechtlich geschützte Informationen von METTLER TOLEDO. Sie darf ohne die ausdrückliche schriftliche Genehmigung von METTLER TOLEDO nicht ganz oder teilweise kopiert werden.

METTLER TOLEDO behält sich das Recht vor, ohne vorherige Ankündigung Verbesserungen oder Änderungen am Produkt oder Handbuch vorzunehmen.

COPYRIGHT

METTLER TOLEDO® ist eine eingetragene Marke von Mettler-Toledo, LLC. Alle anderen Marken- oder Produktbezeichnungen sind Marken bzw. eingetragene Marken ihrer jeweiligen Firmen.

METTLER TOLEDO BEHÄLT SICH DAS RECHT VOR, VERBESSERUNGEN ODER ÄNDERUNGEN OHNE VORHERIGE ANKÜNDIGUNG VORZUNEHMEN.

FCC-Mitteilung

Dieses Gerät entspricht Abschnitt 15 der FCC-Vorschriften und den Funkstörungsanforderungen des kanadischen Kommunikationsministeriums. Sein Betrieb unterliegt folgenden Bedingungen: (1) Dieses Gerät darf keine Funkstörungen verursachen und (2) das Gerät muss in der Lage sein, alle empfangenen Funkstörungen zu tolerieren, einschließlich solcher Störungen, die u. U. den Betrieb negativ beeinflussen.

Dieses Gerät wurde geprüft und liegt gemäß Abschnitt 15 der FCC-Vorschriften innerhalb der Grenzwerte für ein digitales Gerät der Klasse A. Diese Grenzwerte gewährleisten den Schutz vor Funkstörungen, wenn das Gerät in einer gewerblichen Umgebung betrieben wird. Dieses Gerät erzeugt, verwendet und kann Hochfrequenzenergie abstrahlen. Die unsachgemäße Installation und Verwendung kann zu Störungen des Funkverkehrs führen. Das Betreiben dieses Geräts in einem Wohngebiet führt wahr scheinlich zu Funkstörungen, wobei der Benutzer auf eigene Kosten entsprechende Maßnahmen zur Behebung der Störung ergreifen muss.

- Die Konformitätserklärung befindet sich auf der Dokumentations-CD.

RoHS Erklärung zur Vorschrifteneinhaltung







- Die Mehrheit unserer Produkte gehört den Kategorien 8 und 9 an. Diese Kategorien fallen derzeit nicht in den Geltungsrahmen der Direktive 2002/95/EG (RoHS) vom 27. Januar 2003. Wenn unsere Produkte planungsweise in anderen Produkten zur Anwendung kommen sollen, die in den Geltungsrahmen der RoHS-Direktive fallen, müssen die Pflichten zur Einhaltung dieser Vorschriften separat vertraglich festgelegt werden.
- Diejenigen Produkte, die in Kategorien 1 bis 7 und 10 eingeordnet werden, sind ab spätestens dem 1. Juli 2006 mit der RoHS-Direktive der EU konform.
- Wenn es aus technischen Gründen nicht möglich ist, Substanzen, die sich nicht RoHS-konform verhalten, in einem der vorstehenden Produkte zu ersetzen, planen wir, unsere Kunden jeweils zeitnah über diese Tatsache in Kenntnis zu setzen.

Erklärung zu Schadstoffen

Wir setzen Schadstoffe, wie etwa Asbest, radioaktive Materialien oder Arsenverbindungen, nicht auf direktem Weg ein. Wir kaufen jedoch Teile von Dritten hinzu, die minimale Mengen einiger dieser Substanzen enthalten können.

Vorsichtsmassnahmen

- LESEN Sie dieses Handbuch, BEVOR Sie dieses Gerät bedienen oder warten und BEFOLGEN Sie alle Anweisungen.
- BEWAHREN Sie dieses Handbuch für zukünftige Nachschlagezwecke auf.

	<p>! ACHTUNG</p> <p>ZUM SCHUTZ VOR STROMSCHLAG DARF DAS NETZBETRIEBSMODELL DES IND231/IND236-TERMINALS NUR MIT EINER FUNKTIONSFÄHIGEN SCHUTZKONTAKTSTECKDOSE VERBUNDEN WERDEN. DEN SCHUTZKONTAKT NICHT ENTFERNEN.</p>
	<p>! ACHTUNG</p> <p>DAS TERMINAL DARF NUR VON FACHPERSONAL GEWARTET UND REPARIERT WERDEN. PRÜFUNGEN, TESTS UND EINSTELLUNGEN BEI EINGESCHALTETEM GERÄT VORSICHTIG DURCHFÜHREN. WERDEN DIESE VORSICHTSMASSNAHMEN NICHT EINGEHALTEN, KANN ES ZU SACH- ODER PERSONENSCHÄDEN KOMMEN.</p>
	<p>! ACHTUNG</p> <p>DAS IND231/IND236-TERMINAL IST NICHT FÜR DIE VERWENDUNG IN BEREICHEN VORGESEHEN, DIE AUFGRUND ENTZÜNDLICHER ODER EXPLOSIVER STOFFE ALS GEFÄHRLICH EINGESTUFT SIND. DAS IND231/IND236-TERMINAL NICHT IN EINER EXPLOSIONSGEFÄHRDETEN UMGEBUNG INSTALLIEREN.</p>
	<p>! ACHTUNG</p> <p>WENN DIESES GERÄT ALS KOMPONENTE IN EIN SYSTEM INTEGRIERT WIRD, MUSS DIE DARAUS ENTSTEHENDE KONSTRUKTION VON QUALIFIZIERTEM PERSONAL ÜBERPRÜFT WERDEN, DAS MIT DEM BAU UND BETRIEB ALLER KOMPONENTEN IM SYSTEM UND DEN POTENZIELLEN GEFAHREN VERTRAUT IST. DIE NICHTBEACHTUNG DIESER VORSICHTSMASSNAHMEN KÖNNTE ZU VERLETZUNGEN UND/ODER SACHSCHÄDEN FÜHREN.</p>
	<p>! VORSICHT</p> <p>BEI FALSCHER VERWENDUNG DES IN DIESEM GERÄT VERWENDETEN NIMH-AKKUS BESTEHT BRAND- ODER VERÄTZUNGSGEFAHR. DAS GERÄT NICHT MECHANISCHEN BELASTUNGEN AUSSETZEN, ZERLEGEN, ÜBER 60 °C ERHITZEN ODER VERBRENNEN. DEN AKKU NUR DURCH EINEN AKKU 30044650 ERSETZEN. BEI VERWENDUNG EINES ANDEREN AKKUS BESTEHT BRAND-, VERÄTZUNGS- ODER EXPLOSIONSGEFAHR.</p>
	<p>! VORSICHT</p> <p>DEN AKKU VORSICHTIG PRÜFEN. DER AKKU KANN VOLL GELADEN SEIN.</p>



VORSICHT

ABGENUTZTE AKKUS ORDNUNGSGEMÄSS ENTSORGEN. VON KINDERN FERNHALTEN. NICHT ZERLEGEN UND NICHT DURCH VERBRENNEN ENTSORGEN.



VORSICHT

VOR DEM ANSCHLIESSEN ODER ABTRENNEN INTERNER ELEKTRONISCHER BAUTEILE ODER VERBINDUNGSKABEL ZWISCHEN ELEKTRONISCHEN GERÄTEN MUSS STETS DIE STROMZUFUHR UNTERBROCHEN UND MINDESTENS DREISSIG (30) SEKUNDEN GEWARTET WERDEN, BEVOR ANSCHLÜSSE ODER ABTRENnungen Vorgenommen werden. DIE NICHTBEACHTUNG DIESER VORSICHTSMASSNAHMEN KÖNNTE ZU EINER BESCHÄDIGUNG ODER DER ZERSTÖRUNG DES GERÄTES UND/ODER ZU VERLETZUNGEN FÜHREN.

HINWEIS

NICHT VERSUCHEN, DEN AKKU AUFZULADEN, WENN DIE AKKUTEMPERATUR UNTER 0 °C (32 °F) LIEGT. EIN AUFLADEN BEI ODER UNTERHALB DIESER TEMPERATUR IST NICHT MÖGLICH. DAS AKKULADEGERÄT NICHT AUSSERHALB DES TEMPERATURBEREICHS VON 0 °C (32 °F) BIS 40 °C (104 °F) BETREIBEN.

HINWEIS

UM EINE BESCHÄDIGUNG DER PLATINE ODER DER WÄGEZELLE ZU VERMEIDEN, DAS IND231/IND236-TERMINAL VOM NETZ TRENNEN UND VOR DEM ANSCHLIESSEN ODER LÖSEN EINES KABELS MINDESTENS 30 SEKUNDEN WARTEN.



HINWEIS

BEACHTEN SIE DIE ENTSPRECHENDEN VORSICHTSMASSNAHMEN BEIM UMGANG MIT GERÄTEN, DIE EMPFINDLICH AUF ELEKTROSTATIK REAGIEREN.

Anforderungen der sicheren Entsorgung

In Übereinstimmung mit der europäischen Richtlinie 2002/96/EC zu Elektrik- und Elektronikabfällen (WEEE) darf dieses Gerät nicht im Hausmüll entsorgt werden. Dies gilt auch je nach spezifischen Anforderungen für Länder außerhalb der EU.



Entsorgen Sie dieses Produkt bitte gemäß den örtlichen Vorschriften an der Sammelstelle, die für elektrische und elektronische Geräte vorgegeben ist.

Falls Sie irgendwelche Fragen haben, wenden Sie sich bitte an die zuständige Behörde oder den Händler, von dem Sie dieses Gerät erworben haben.

Sollte dieses Gerät an andere Parteien weitergegeben werden (für den privaten oder kommerziellen Gebrauch), muss der Inhalt dieser Vorschrift ebenfalls weitergeleitet werden.

Vielen Dank für Ihren Beitrag zum Umweltschutz.

Inhaltsverzeichnis

1	Einleitung	1-1
1.1.	Überblick über IND231/IND236	1-1
1.1.1.	Standardeigenschaften.....	1-1
1.1.2.	IND231/IND236-Terminalversionen	1-2
1.2.	Verwendung in Gefahrenbereichen	1-2
1.3.	Technische Daten	1-2
1.4.	Modellkennung	1-4
1.5.	Lieferumfang und Prüfung der Teile	1-5
1.6.	Abmessungen	1-6
1.7.	Hauptplatine.....	1-7
1.8.	Wägebrücken	1-8
1.9.	Optionen.....	1-8
1.9.1.	Getrennte serielle Schnittstelle RS-232/RS-422/RS-485	1-8
1.9.2.	Diskrete I/O-Schnittstelle.....	1-8
1.9.3.	USB	1-8
1.10.	Anzeige und Tastenfeld	1-9
1.10.1.	Aufbau der Anzeige.....	1-9
1.10.2.	Tasten der Frontplatte.....	1-10
2	Installation	2-1
2.1.	Öffnen des Gehäuses.....	2-1
2.2.	Schutzart	2-2
2.3.	Montage des Terminals.....	2-3
2.3.1.	Montage des IND231	2-3
2.3.2.	Montage des IND236	2-4
2.4.	Installation von Kabeln und Anschlüssen	2-6
2.4.1.	Stecker und Kabeldurchführungen	2-7
2.4.2.	Platinenkennung	2-9
2.4.3.	Verdrahtungsschema der Hauptplatine.....	2-9
2.4.4.	Netzanschluss	2-10
2.4.5.	Anschluss für analoge Wägezelle.....	2-11
2.4.6.	Serieller Anschluss COM1	2-17
2.4.7.	Verdrahtungsschema für Optionen.....	2-17
2.5.	Anweisungen zum Kapazitätsschild	2-22
2.6.	Schließen des Gehäuses.....	2-23
2.6.1.	Anzugsmomente für die Befestigungselemente des Gehäuses.....	2-23
2.7.	Plombieren des Gehäuses.....	2-23

1 Einleitung

Dieses Kapitel umfasst

- Überblick über IND231/IND236
- Verwendung in Gefahrenbereichen
- Technische Daten
- Modellkennung
- Lieferumfang und Prüfung der Teile
- Abmessungen
- Hauptplatine
- Wägebrücke
- Optionen
- Anzeige und Tastenfeld

Das Industriewaagenterminal IND231/IND236 ist eine kompakte und dennoch flexible Lösung für verschiedenste Wäganforderungen. Die Terminals sind entweder für Netzbetrieb für stationäre Anwendungen oder für Batteriebetrieb für tragbare Anwendungen erhältlich und in praktisch allen Industrieumgebungen einsetzbar.

Es werden sowohl 2-mV/V- als auch 3-mV/V-Wägezellen unterstützt, ohne dass eine Konfigurationsänderung vorgenommen werden muss. Das IND231-/IND236-Terminal liefert präzise Messdaten von Gramm bis Kilogramm in einem kostengünstigen Komplettpaket.

Zu den Standardanwendungen gehören einfache Wägevorgänge, Tierwägen, Prüfwägen zur Kontrolle eines Höchst- oder Mindestgewichts, Zählen und kumuliertes Wägen. Mit vordefinierten anwendungsspezifischen Druckvorlagen mit Datums- und Zeitstempel können Informationen des Wägevorgangs an Drucker und PC-Softwareanwendungen gesendet werden.

1.1. Überblick über IND231/IND236

1.1.1. Standardeigenschaften

- Praktisches Kunststoffgehäuse für das IND231, robustes Edelstahlgehäuse für das IND236
- Unterstützt eine analoge Wägezellenplattform mit bis zu vier 350- Ω -Wägezellen
- Kann als Remote-Display verwendet werden, um Gewicht von einem separaten Haupt-Terminal zeigen
- Große LCD-Anzeige mit sieben Segmenten, weißer Hintergrundbeleuchtung und grafischen Symbolen, unter verschiedenen Beleuchtungsbedingungen bequem ablesbar
- Betrieb mit Netzstrom (85–264 V~) oder internem Akkupack
- Eine serielle Standardschnittstelle (COM1) für asynchrone, bidirektionale Kommunikation
- Unterstützung der eine der folgenden Optionsplatinen:
 - COM2: galvanisch getrennte serielle Schnittstelle RS-232, RS-422 und RS-485
 - USB-Geräteschnittstelle zum Anschluss an einen PC
 - Diskrete I/O-Schnittstelle
- Tasten auf der Frontplatte zum Aufrufen der Grundwägefunktionen – Nullstellung, Trieren, Löschen, konfigurierbare Funktion und Drucken
- Wählbare Hauptmaßeinheit, z. B. Gramm, Kilogramm, Pound und Ounce
- Wählbare zweite Maßeinheit, z. B. Gramm, Kilogramm, Pound und Ounce

- Sicherung und Wiederherstellung der Konfigurations- und Kalibriereinstellungen mit dem InSite® SL-Tool
- Automatische und zeitabhängige Abschaltung der Hinterleuchtung, um Energie zu sparen und die Nutzungsdauer des Akkus bei einem Gerät für Akkubetrieb zu verlängern.

1.1.2. IND231/IND236-Terminalversionen

Das Terminal ist in folgenden vier Versionen erhältlich:

- IND231 mit Kunststoffgehäuse, Netzbetrieb (auf für den Einsatz mit AA-Alkali-Zellen entwickelt)
- IND231 mit Kunststoffgehäuse, NiMH-Akkubetrieb
- IND236 mit Edelstahlgehäuse, Netzbetrieb
- IND236 mit Edelstahlgehäuse, NiMH-Akkubetrieb

1.2. Verwendung in Gefahrenbereichen

	 VORSICHT
<p>DAS IND231/IND236-TERMINAL DARF NICHT IN BEREICHEN VERWENDET WERDEN, DIE AUFGRUND VON ENTZÜNDLICHEN ODER EXPLOSIVEN STOFFEN ALS GEFÄHRLICH EINGESTUFT SIND. INFORMATIONEN ZU ANWENDUNGEN IN GEFAHRENBEREICHEN ERHALTEN SIE VON EINEM AUTORISIERTEN METTLER-TOLEDO-VERTRETER.</p>	

1.3. Technische Daten

Das IND231- und IND236-Terminal entspricht den in Tabelle 1-1 aufgeführten technischen Daten.

Tabelle 1-1: Technische Daten des Terminals

Technische Daten	IND231	IND236
Gehäusetypp	Kunststoff, Tisch- oder Säulen-/Wandmontage	Edelstahl, Tisch- oder Säulen-/Wandmontage
Produktabmessungen (B x H x T)	220 mm x 150 mm x 102 mm (8,66 in. x 5,90 in. x 4,02 in.)	220 mm x 150 mm x 93,3 mm (8,66 in. x 5,90 in. x 3,67 in.)
Transportabmessungen (B x H x T)	350 mm x 220 mm x 195 mm (13,78 in. x 8,66 in. x 7,68 in.)	
Produktgewicht	Modell für Netzbetrieb: 1,2 kg (2,6 lb) Modell für Batteriebetrieb: 1,5 kg (3,3 lb)	Modell für Netzbetrieb: 2,2 kg (4,9 lb) Modell für Batteriebetrieb: 2,5 kg (5,5 lb)
Versandgewicht	2,0 kg	3,0 kg

Technische Daten	IND231	IND236
Schutzart	IP54	IP66/67
Betriebsumgebung	Betriebstemperaturbereich: -10 °C bis +40 °C Lagerungstemperaturbereich: -20 °C bis +60 °C Relative Luftfeuchtigkeit: 10–95 %, nicht kondensierend	
Gefahrenbereiche	Das Terminal darf nicht in Bereichen verwendet werden, die aufgrund entzündlicher oder explosiver Stoffe als gefährlich eingestuft sind. Informationen zu Anwendungen in Gefahrenbereichen erhalten Sie von einem autorisierten Mettler-Toledo-Vertreter.	
Spannung	Modell für Netzbetrieb: 85–264 V~, 49–61 Hz, enthält landesspezifisches Netzkabel	
	Modell für Batteriebetrieb: Sechs AA-Alkali-Zellen oder NiMH-Akkupack (ca. 120 h für eine Wägezelle)	Modell für Batteriebetrieb: NiMH-Akku (ca. 120 h für eine Wägezelle)
Anzeige	Siebenstellige LCD-Anzeige mit 40 mm großen Zeichen, sieben Segmenten und weißer Hintergrundbeleuchtung; Anzeige von Gewicht, Maßeinheit, Brutto/Netto und Symbolen für Bewegung, Nullmitte und verschiedene Anwendungen	
Gewichtsanzeige	Maximale angezeigte Auflösung von 30.000 Teilstrichen	
Waagentypen	Analoge Wägezellen	
Anzahl der Zellen	Bis zu vier 350-Ohm-Wägezellen (2 oder 3 mV/V)	
Anzahl der Waagen	Eine	
Analoge/digitale Aktualisierungsrate	Intern analog: 80 Hz	
Erregungsspannung der Wägezelle	5 V~	
Mindestempfindlichkeit	0,5 µV/e	
Tastenfeld	Sieben Tasten: Zero (Nullstellung), Tare (Tariieren), Clear (Löschen), On/Off (Ein/Aus), Print (Drucken), F1 und F2 (konfigurierbar)	
Kommunikationsoptionen	Serielle Schnittstellen Standard: eine serielle Schnittstelle (COM1) RS-232, 1.200 bis 115.200 Baud Optionale getrennte serielle Schnittstelle: (COM2) RS-232/422/485, 1.200 bis 115.200 Baud Digitale I/O-Schnittstelle Optionaler digitaler I/O-Anschluss: 2 Eingänge/4 Ausgänge USB-Schnittstelle Optionaler USB-Geräteanschluss Protokoll Serielle Eingänge: ASCII-Befehle für CTPZ (Löschen, Tara, Drucken, Nullstellung), SICS (die meisten Befehle der Stufe 0 und 1)	

Technische Daten	IND231	IND236
Anwendung	Nullstellung, Trieren, X10, Datum und Uhrzeit, einfache Wägevorgänge, Tierwägen, Zählen mit optimiertem Durchschnittsstückgewicht, Prüfwägen mit Kontrolle eines Höchst- oder Mindestgewichts und Datenbank mit 10 Datensätzen, kumuliertes Wägen, Fernanzeige	
Zulassungen	Gewichte und Maße USA: NTEP-Klasse III/IIIL – 10.000d; Zert.-Nr. 13-049, Kanada: Klasse III – 10.000d; Klasse IIIHD – 20.000d, Europa: Klasse III, 2 x 3000e und 6000e; TC8351, T5976 OIML: Klasse III, 2 x 3000e und 6000e; R76/2006-NL1-13.06 Produktsicherheit UL, cUL, CE	
Zubehör	Halterung für Wand-/Säulenmontage; Tischhalterung	

1.4. Modellkennung

Modellnummer, Werksnummer und Seriennummer des IND231/IND236-Terminals befinden sich auf dem Typenschild des Terminals. Anhand Abbildung 1-1 können Sie die Konfiguration des IND231/IND236-Terminals nach dem Verlassen des METTLER TOLEDO-Werks überprüfen.

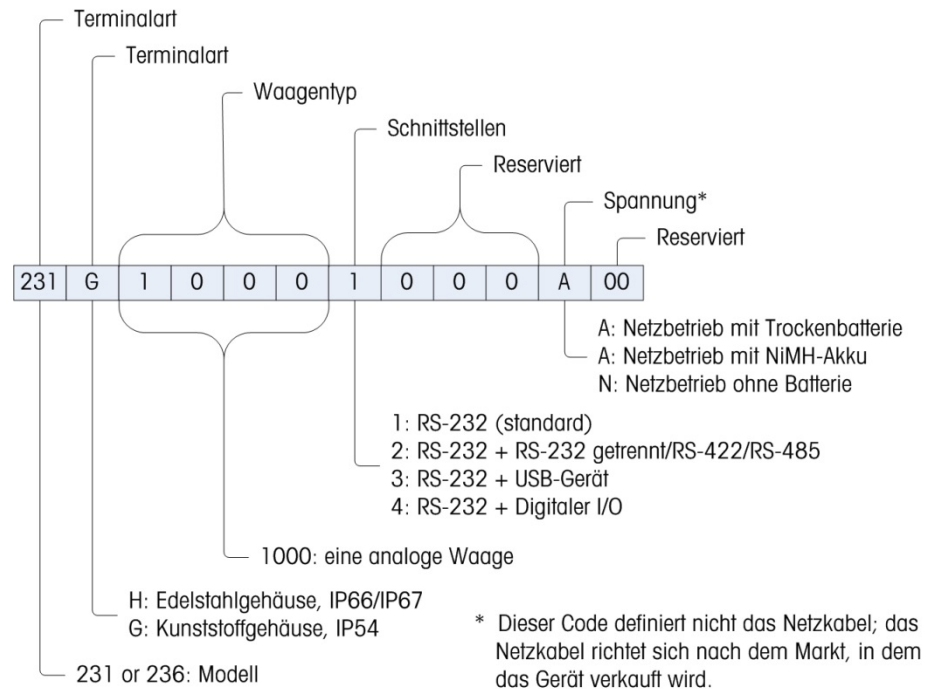


Abbildung 1-1: IND231-Konfigurationstabelle

1.5. Lieferumfang und Prüfung der Teile

Überprüfen Sie den Inhalt und inspizieren Sie die Packung sofort nach der Zustellung. Sollte die Transportverpackung beschädigt sein, prüfen Sie den Inhalt auf Schäden und reichen Sie ggf. einen Schadensersatzanspruch beim Transportunternehmen ein. Ist die Transportverpackung nicht beschädigt, nehmen Sie das Terminal aus der Schutzverpackung; achten Sie darauf, wie es verpackt war, und prüfen Sie die einzelnen Komponenten auf Schäden.

Wenn Sie das Terminal einsenden müssen, verwenden Sie am besten die Originaltransportverpackung. Das Terminal muss für den sicheren Transport ordnungsgemäß verpackt sein.

Im Lieferumfang sollten folgende Teile enthalten sein:

- IND231- oder IND236-Terminal
- Installationshandbuch (oder Sicherheitsanweisungen)
- Netzkabel
- Tüte mit verschiedenen Teilen
- Benutzerhandbuch (oder Ressourcen-CD)
- Akkupack (nur bei Modell für Batteriebetrieb)
- Montagehalterungen (1)

1.6. Abmessungen

Die Abmessungen des IND231-/IND236-Gehäuses werden in Abbildung 1-2 und in Abbildung 1-3 in mm und [in.] angegeben.

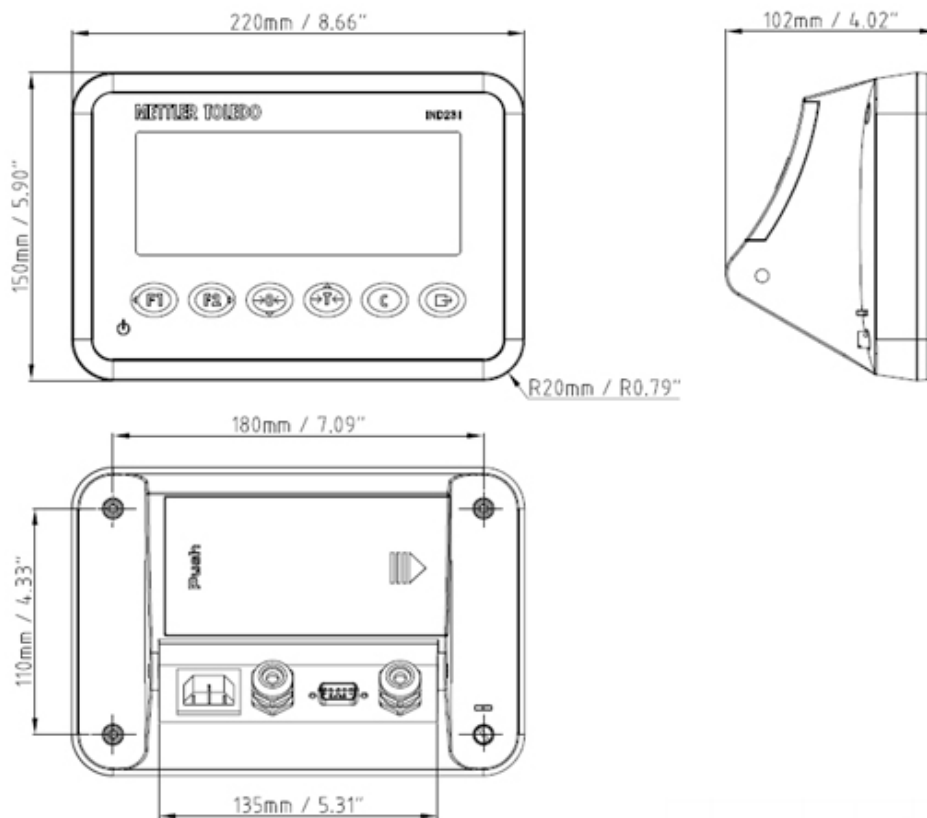


Abbildung 1-2: Abmessungen des IND231-Gehäuses

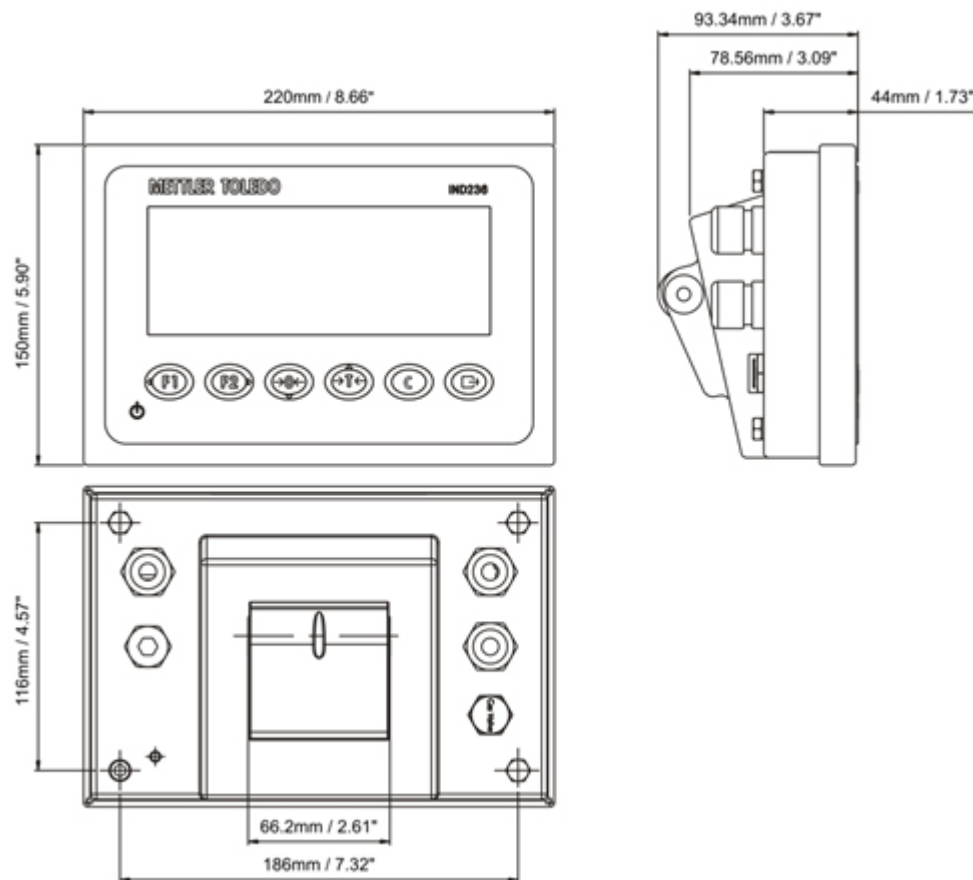


Abbildung 1-3: Abmessungen des IND236-Gehäuses

1.7. Hauptplatine

Die Hauptplatine (PCB) des IND231-/IND236-Terminals enthält die Waagenschnittstelle der analogen Wägezellen sowie den seriellen RS-232-Anschluss COM1. Der serielle RS-232-Anschluss COM1 unterstützt die bidirektionale Kommunikation mit Geschwindigkeiten von bis zu 115200 bps. Dieser Anschluss kann zum Speichern der Terminalkonfigurationsdaten auf einem PC über das InSite® SL-Tool verwendet werden.

Die Hauptplatine enthält außerdem einen Gleichstromeingang, eine Schnittstelle für die Anzeige, eine Schnittstelle für das Tastenfeld und eine Schnittstelle für die Optionen.

Die AC/DC-Platine versorgt das Terminal mit +12 V/1 A.

Die optionale Ladeplatine ist beim Modell für Akkubetrieb enthalten.

1.8. Wägebrücken

Das IND231/IND236-Terminal unterstützt analoge Wägebrücken und liefert für den Betrieb der analogen Wägezellen eine Erregungsspannung von 5 V. Das Terminal kann bis zu vier 350- Ω -Wägezellen mit Strom versorgen.

Ein vier- oder sechsadriger Wägezellenanschluss mit Fühlerleitungen trägt zur Aufrechterhaltung der Genauigkeit bei, wenn sich der Kabelwiderstand der Wägezelle aufgrund von Temperaturschwankungen ändert.

1.9. Optionen

Es können drei verschiedene Optionsschnittstellen an COM2 angeschlossen werden. Die Spezifikationen der Anschlussstifte sind auf der Platine aufgedruckt.

Für IND231 und IND236 sind folgende Optionen verfügbar.

1.9.1. **Getrennte serielle Schnittstelle RS-232/RS-422/RS-485**

Dieser optionale Anschluss ermöglicht die RS-232- und RS-422-/485-Kommunikation, die im Setup konfiguriert werden kann. Der Anschluss ist bidirektional und kann für verschiedene Funktionen wie Drucken, automatisches Drucken, den kontinuierlichen Datenausgang von Toledo oder SICS-Kommunikationen verwendet werden.

Der COM2-Anschluss ist zum Schutz vor Spannungsspitzen sowohl für RS-232 als auch für RS-485 galvanisch getrennt.

Die RS-485-Verbindung kann nur zur RS-422-Datenübertragung verwendet werden, wenn kontinuierliche Daten an eine Anzeigetafel oder eine Fernanzeige gesendet werden.

Die Schnittstelle RS-422/485 ist für die Datenübertragung mit einer höheren Baudrate über längere Strecken von bis zu 500 m erforderlich.

Die Kommunikationseinstellungen können im Setup-Menü des Terminals konfiguriert werden.

1.9.2. **Diskrete I/O-Schnittstelle**

Die diskrete I/O-Schnittstellenoption enthält vier potentialfreie Relaisausgänge. Die Relaiskontakte schalten bis zu 30 V \sim oder 250 V \sim bei 1 A.

Die zwei Eingänge können über einen Schalter entweder als aktive (zur einfachen Drucktastensteuerung) oder als passive Eingänge (zum Anschluss an Geräte, die über eine eigene Stromversorgung für die Eingänge verfügen) ausgewählt werden.

1.9.3. **USB**

Der USB-Anschluss ist eine UART-USB-Bridge, die als virtueller COM-Anschluss fungiert und für die Übertragung serieller Daten an Geräte, z. B. einen PC, verwendet wird. Der Anschluss ist bidirektional und kann für verschiedene Funktionen wie Drucken, automatisches Drucken, den

kontinuierlichen Datenausgang von Toledo oder SICS-Kommunikationen konfiguriert werden. Externe USB-Tastaturen und Barcodescanner werden nicht unterstützt.

1.10. Anzeige und Tastenfeld

Das IND231/IND236-Terminal verwendet eine transflektive LCD-Segmentanzeige mit weißer Hintergrundbeleuchtung. Die Höhe von Hauptzeichen beträgt 40 mm. Die Frontplatte mit Anzeige und Tastenfeld ist in Abbildung 1-4 dargestellt. Die Tastenfelder des IND231- und des IND236-Terminals unterscheiden sich nur durch den Namen oben rechts im Terminal.

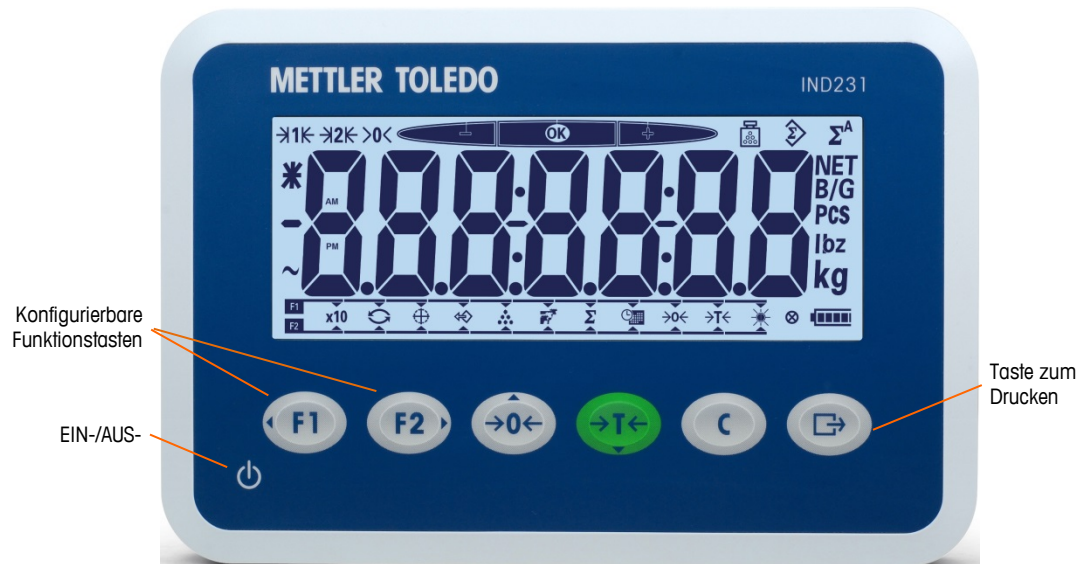


Abbildung 1-4: Aufbau der IND231-Frontplatte

1.10.1. Aufbau der Anzeige

Die oberste Zeile in der Anzeige enthält Informationen zum Status des Terminals, z. B. Bereichsnummer, Nullmitte, Prüfwägestatus, Zählen, kumuliertes Wägen und automatisches kumuliertes Wägen.

Unter dieser Systemzeile befindet sich die Gewichtsanzeige. Während eines einfachen Wägevorgangs zeigt die Anzeige des Terminals das Brutto- oder Nettogewicht mit 40 mm großen Zeichen an. Wenn eine der Anwendungen ausgeführt wird, werden die Meldungen oder Menü-Indexzeichen ebenfalls mit 40 mm großer Schrift angezeigt. Rechts von der Gewichtsanzeige befindet sich eine senkrechte Spalte mit den Symbolen für Brutto und Netto, Durchschnittsstückgewicht und Maßeinheiten. Das Stern-, Minus- und Wellensymbol erscheinen in einer Spalte links von der Gewichtsanzeige.

Im unteren Bereich der normalen Gewichtsanzeige können den Tasten **F1** und **F2** Funktionen zugewiesen werden. Die Bedienung von Anzeige und Tastenfeld während des Setups wird in Kapitel 3, **Konfiguration** in das **Benutzerhandbuch** Bedi beschrieben.

1.10.2. Tasten der Frontplatte

Die Bedienerschnittstelle des IND231/IND236-Terminals enthält insgesamt sieben Folientasten. Die Taste zum Drucken und die fünf Waagenfunktionstasten (drei mit definierter Funktion, zwei mit konfigurierbarer Funktion) befinden sich unter der Anzeige.

Die Pfeile auf den ersten vier Tasten geben die Verwendung bei der Menünavigation an.

Die EIN-/AUS-Taste befindet sich unten links in der Anzeige. Diese Tasten dienen zum Aufrufen des Setup-Menüs, zur Navigation und zur Auswahl von Setup-Elementen, siehe dazu die Beschreibung in Kapitel 2, **Betrieb** in das **Benutzerhandbuch**.

2 Installation

Dieser Anhang umfasst

- Öffnen des Gehäuses
- Schutzart
- Montage des Terminals
- Installation von Kabeln und Anschlüssen
- Anweisungen zum Kapazitätsschild
- Schließen des Gehäuses
- Plombieren des Gehäuses

Dieser Anhang enthält die Installationsanweisungen für das IND231/IND236-Terminal. Lesen Sie diese Schritte vor Beginn der Installation sorgfältig durch.

Dieser Abschnitt enthält Informationen zum Öffnen und zur Montage des Gehäuses und erläutert die Installation der Kabel und der Platinen. Außerdem finden Sie Anweisungen zur Beschriftung, zum Schließen und zum Plombieren des Gehäuses.

2.1. Öffnen des Gehäuses

ACHTUNG

VOR DEM TRENNEN/VERBINDEN VON INTERNEN ELEKTRONISCHEN BAUTEILEN ODER VOR DEM VERKABELN VON MEHREREN ELEKTRONISCHEN GERÄTEN IMMER DAS GERÄT VOM NETZ TRENNEN UND VOR DEM HERSTELLEN ODER TRENNEN VON VERBINDUNGEN MINDESTENS DREISSIG (30) SEKUNDEN WARTEN. WERDEN DIESE VORSICHTSMASSNAHMEN NICHT EINGEHALTEN, KANN ES ZU SACH- ODER PERSONENSCHÄDEN KOMMEN.

Die Frontplatte des IND231/IND236-Terminals ist mit vier Schrauben am hinteren Teil des Gehäuses befestigt. Wenn Sie auf die Platine des Terminals zugreifen müssen, um Optionen zu installieren, eine Innenverdrahtung vorzunehmen und Schalter einzustellen, müssen Sie die Frontplatte wie folgt vom Gehäuse entfernen:

1. Lösen Sie beim IND231-Terminal drei der Schrauben mit einem Torx-Schraubendreher der Größe T-20. Lösen Sie die Plombierschraube (siehe Abbildung 2-1) mit einem Schlitzschraubendreher.



Abbildung 2-1: IND231-Schrauben (links) und IND236-Plombierschraube (rechts)

- Lösen Sie beim IND236 drei der Schrauben mit einem 10-mm-Steckschlüssel. Lösen Sie die Plombierschraube (siehe Abbildung 2-2) mit einem 5-mm-Inbusschlüssel. Alle Schrauben sind unverlierbar und verbleiben an der hinteren Abdeckung des IND236.

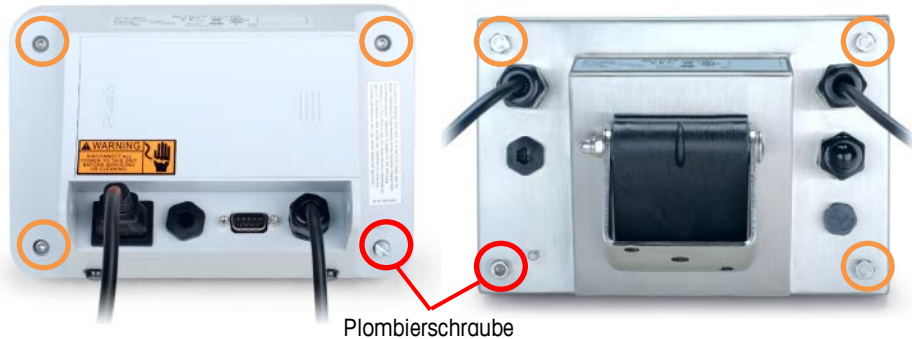


Abbildung 2-2: Öffnen des Gehäuses – IND231 (links) und IND236 (rechts)

- Trennen Sie den vorderen Teil vom hinteren Teil, siehe Abbildung 2-3.

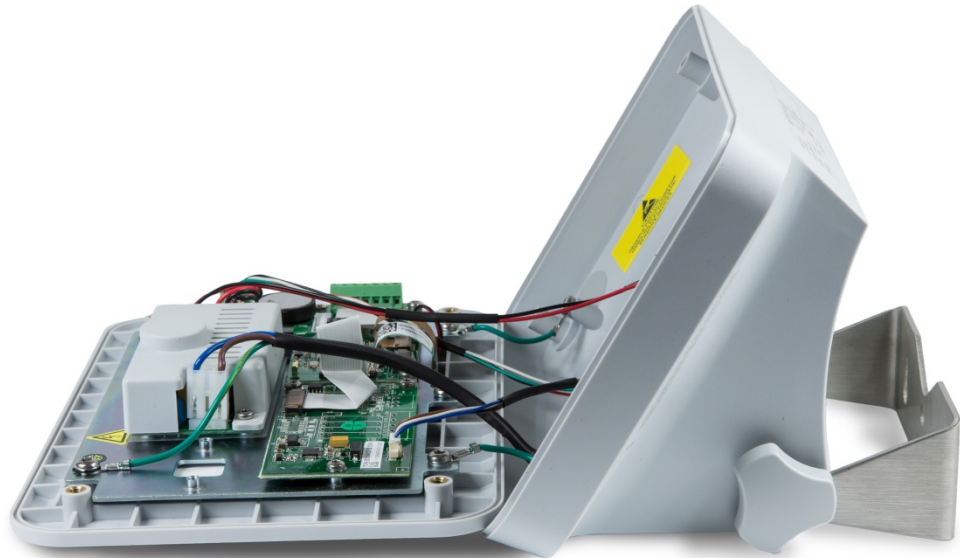


Abbildung 2-3: Entfernen der Abdeckung

2.2. Schutzart



! VORSICHT

DAS IND231/IND236-TERMINAL IST NICHT FÜR DIE VERWENDUNG IN BEREICHEN VORGESEHEN, DIE AUFGRUND ENTZÜNDLICHER ODER EXPLOSIVER STOFFE ALS GEFÄHRlich EINGESTUFT SIND. DAS IND231/IND236-TERMINAL NICHT IN EINER EXPLOSIONSGEFÄHRDETEN UMGEBUNG INSTALLIEREN.

Das IND231/IND236-Terminal ist für industrielle Standardumgebungen vorgesehen. Das IND231 wurde getestet und erfüllt die IP54-Normen. Das IND236 erfüllt die Anforderungen von IP66/IP67.

2.3. Montage des Terminal

Das Terminal kann auf einen Tisch gestellt, an einer vertikalen Fläche angebracht oder an einer Säule befestigt werden. Montieren Sie das Terminal so, dass die Anzeige gut sichtbar und das Tastenfeld des Terminals einfach bedienbar ist.

2.3.1. Montage des IND231

2.3.1.1. Tischmontage

Das IND231 besitzt zwei selbstklebende GummifüÙe auf der Unterseite des Gehäuses (Abbildung 2-4), die ein Verrutschen des Geräts verhindern.



Abbildung 2-4: IND231 – GummifüÙe

2.3.1.2. Wand- & Säulenmontage

Im Lieferumfang des IND231 sind eine Montagehalterung und zwei Rändelschrauben enthalten. Damit kann das Terminal entweder an einer Säule oder an einer vertikalen Fläche befestigt werden.

1. Befestigen Sie die Halterungen mit den beiden Rändelschrauben an der Unterseite des Terminals, siehe Abbildung 2-5.



Abbildung 2-5: Halterung und Rändelschrauben

2. Mit der Halterung sind verschiedene Einstellungen möglich, siehe Abbildung 2-6.

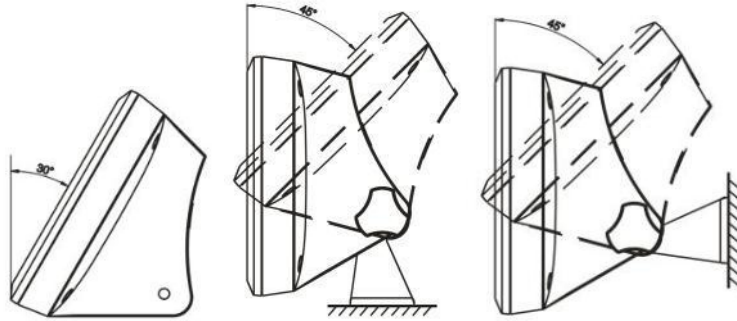


Abbildung 2-6: Einstellung der Halterung zur Montage an einer Wand oder einer Säule

3. Markieren Sie die Position der Halterungsbohrungen auf der Fläche, an der das Terminal befestigt werden soll. Verwenden Sie dazu die Abmessungen in Abbildung 2-7 oder halten Sie das Terminal gegen die Fläche und nehmen Sie die Markierungen durch die Bohrungen der Halterung vor.

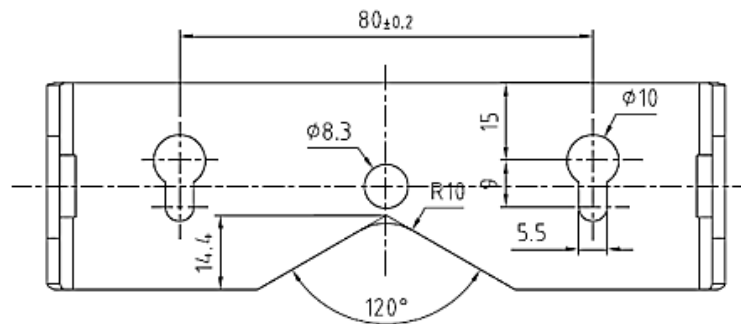


Abbildung 2-7: Bohrschablone für Montagehalterungen

4. Die Befestigungselemente zur Montage der Terminalhalterung sind nicht im Lieferumfang des Terminals enthalten, sondern müssen vor Ort bereitgestellt werden. Die Befestigungselemente müssen für das Gewicht des Terminals, ca. 2,0 kg, ausgelegt sein. Befestigen Sie die Terminalhalterung mit den vor Ort bereitgestellten Elementen an der Fläche.

2.3.2. Montage des IND236

2.3.2.1. Tischmontage

Für die Befestigung des IND236-Terminals auf einer ebenen Fläche kann eine optionale Tischmontagehalterung (Bestellnummer: 22021070) käuflich erworben werden.

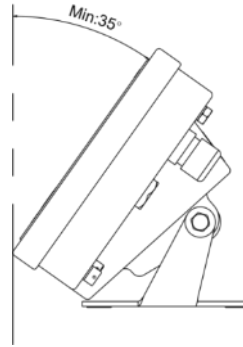


Abbildung 2-8: IND236 mit Tischmontagehalterungen

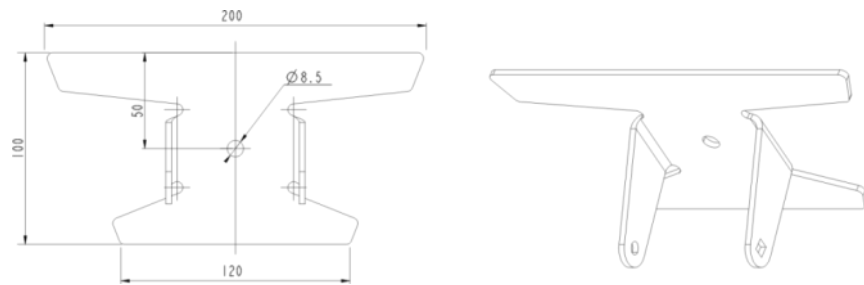


Abbildung 2-9: IND236 – Abmessungen der Tischhalterung

2.3.2.2. Wand- & Säulenmontage

Im Lieferumfang des IND236 ist eine Montagehalterung enthalten. Damit kann das Terminal entweder an einer Säule oder einer vertikalen Fläche befestigt werden. Mit der Halterung sind verschiedene Einstellungen möglich, siehe Abbildung 2-10.

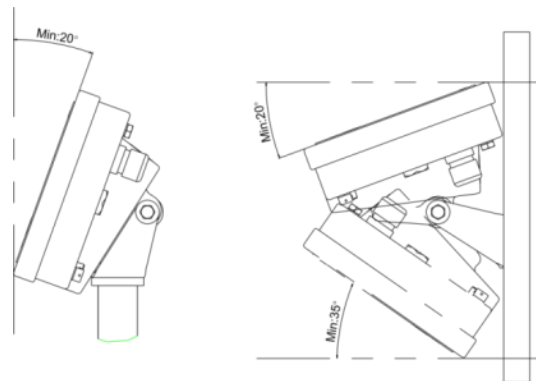


Abbildung 2-10: IND236 – Säulenmontage (links) und Wandmontage (rechts)

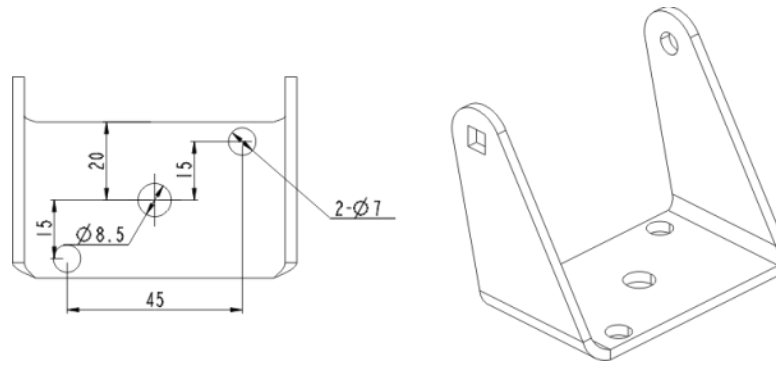


Abbildung 2-11: IND236 – Abmessungen der Wand- und Säulenhalterung

2.4. Installation von Kabeln und Anschlüssen

In diesem Abschnitt finden Sie Informationen zur Installation von Kabeln und Anschlüssen für das IND231/IND236-Terminal, z. B.:

- Stecker und Kabeldurchführungen
- Zuweisung der Gehäuseöffnungen
- Platinenkennung
- Verdrahtungsschema der Hauptplatine
- Netzstromanschluss
- Anschlüsse für Ladeplatine und Akkupack
- Anschluss für analoge Wägezelle
- Serieller Anschluss COM1
- Verdrahtungsschema für Optionen

2.4.1. Stecker und Kabeldurchführungen

Das IND231-Terminal verwendet eine Buchse entsprechend Standard IEC320 C14 und DSUB-9-Stecker für RS-232-Kommunikationsverbindungen. Kabeldurchführungen werden für Wägezellen und Optionsanschlüsse verwendet.

Das IND236-Terminal ist für nasse Umgebungen geeignet. Bei der Installation von Kabeln und/oder Steckern, die in das Terminalgehäuse reichen, muss jedoch vorsichtig vorgegangen werden. So erreichen Sie einen wasserdichten Abschluss:

- Legen Sie die Kabel vor dem Anklemmen der Adern durch eine ausreichend große Kabeldurchführung. Abbildung 2-12 zeigt eine Kabeldurchführung mit entfernter Spannmutter.

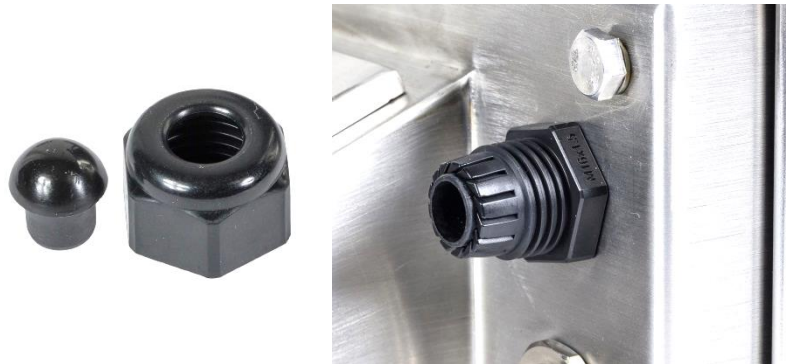


Abbildung 2-12: Kabeldurchführung

- Wählen Sie je nach Durchmesser des Kabels (Tabelle 2-1) ggf. eine Gummitülle, um das Kabel richtig abzudichten.

Tabelle 2-1: Kabeldurchführung, Gummitülle und Kabelgrößen

Gummitülle	Kabeldurchmesser	
	IND231 Kabeldurchführung für Wägezelle	IND236 und Kabeldurchführung für Optionen
Keine	4–8 mm	5–10 mm
Kleine Gummitülle	3–6,5 mm	4,5–6,8 mm

- Achten Sie auf ausreichende Länge des im Gehäuse endenden Kabels von der Klemmenleiste/vom Stecker bis zum Terminalgehäuse, damit die Steckerbaugruppe nicht durch Zug belastet wird, wenn das Gehäuse vollständig geöffnet ist.
- Nach der im nächsten Abschnitt beschriebenen Verdrahtung muss die Spannmutter ordnungsgemäß an der Kabeldurchführung angebracht werden, damit der Kabeleingang abgedichtet ist. Die Dichtung muss wasserfest sein.

2.4.1.1. Belegung der Gehäuseöffnungen

Abbildung 2-13 zeigt die Öffnungen im IND231-Gehäuse.

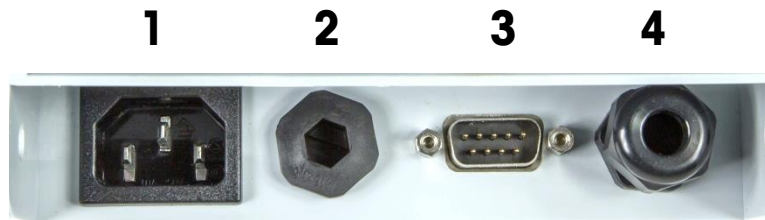


Abbildung 2-13: IND231-Gehäuseöffnungen

Abbildung 2-14 zeigt die Öffnungen im IND236-Gehäuse und Tabelle 2-2 gibt die Belegung der einzelnen Öffnungen an.



Abbildung 2-14: IND236-Gehäuseöffnungen

Tabelle 2-2: Belegung von Stecker und Kabeldurchführungen

Position	Belegung			
	Standardanschluss	Optionaler Anschluss		
1	Netzkabel	-		
2	Keine (optionaler Anschluss)	getrennter RS-232/422/485	USB	Digitaler I/O
3	COM1 (RS-232)	-		
4	Wägezellenkabel	-		

2.4.2. Platinenkennung

Die Leiterplatten des IND231/IND236-Terminals sind am Platinenhalter befestigt. Die Netzanschlussplatte wird nur für das IND236 benötigt. Die Ladeplatine wird nur für Terminals benötigt, die mit einem Akkupack betrieben werden. Die Optionsplatinen werden alle an der gleichen Stelle montiert. Abbildung 2-15 zeigt die Position der einzelnen Platinen.

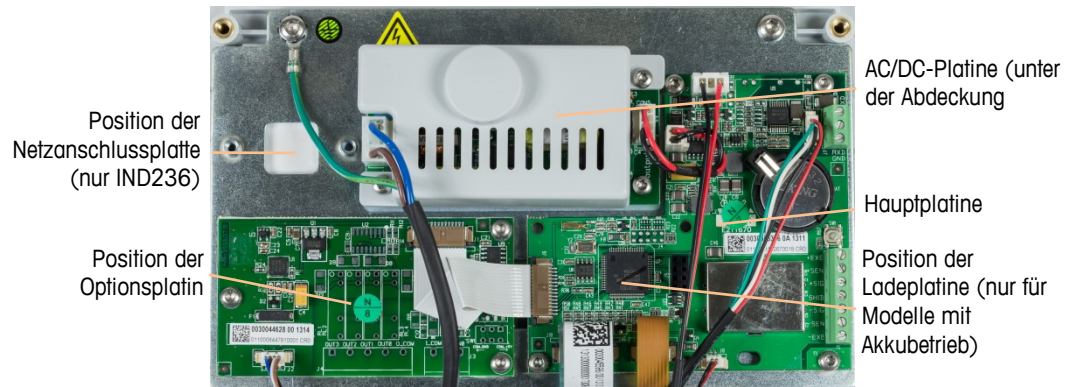


Abbildung 2-15: Platinenpositionen

2.4.3. Verdrahtungsschema der Hauptplatine

Abbildung 2-16 zeigt die Belegung der Stecker auf der Hauptplatine. Verbinden Sie die Kabel immer mit dem richtigen Anschluss.

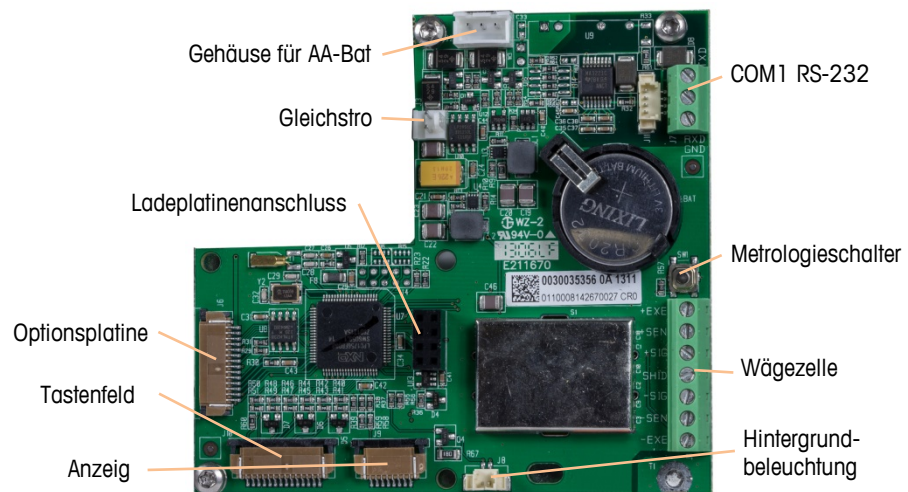


Abbildung 2-16: Anschlüsse der Hauptplatine

Der Metrologieschalter ist ein Taster. Nach dem Drücken öffnet sich das Setup-Menü im Untermenü F1 Waageneinstellungen, in dem die Waagenparameter konfiguriert werden können. **Bei einem zugelassenen Terminal können die Waagenparameter nur auf diese Weise geändert werden.** Weitere Details dazu finden Sie in den Abschnitten **Setup-Modus aufrufen** und **Waagen-Typzulassung** in Kapitel 3 im **Benutzerhandbuch, Konfiguration**.

2.4.4. Netzanschluss

Abbildung 2-17 zeigt eine Netzplatine ohne die Schutzabdeckung.



Abbildung 2-17: Netzplatine

Ein externes Netzkabel mit einer Buchse entsprechend Standard IEC320 C14 ist im Lieferumfang des IND231 enthalten.

Das permanent befestigte Netzkabel versorgt das Netzbetriebsmodell des IND236-Terminals mit Netzstrom. Der Erdungsdraht mit Kabelschuh wird mit dem Erdungsanschluss im Terminal verbunden (Abbildung 2-18).

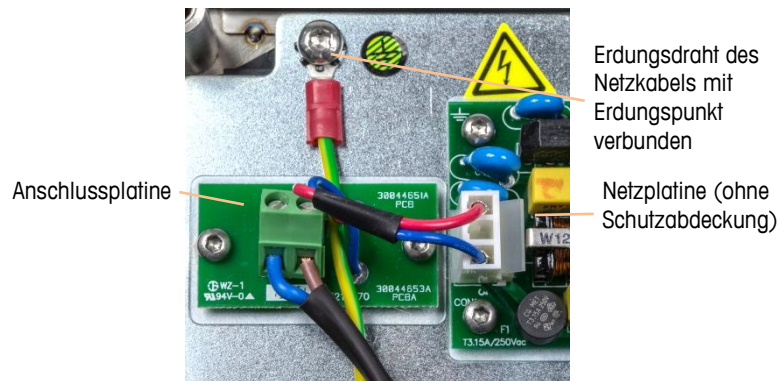
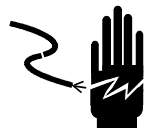


Abbildung 2-18: IND236 – Netzplatine und Erdung

Beim IND236 überträgt eine Schnittstellenplatine den Strom vom Netzkabel zur Netzplatine (Abbildung 2-18).

Für das Terminal ist eine Netzspannung von 85–264 V~ (bei maximal 176 mA) mit einer Netzfrequenz von 49 bis 61 Hz erforderlich. Es ist intern mit 3,15 A, 250 V abgesichert.

Für einen sicheren und zuverlässigen Betrieb des Terminals und der angeschlossenen Wägebrücke muss das Gerät ordnungsgemäß geerdet sein. Eine schlechte Erdung kann bei einem Kurzschluss im Gerät gefährlich sein. Eine ordnungsgemäße Erdung minimiert Störimpulse von außen. Das IND231/IND236 darf nicht die gleichen Netzleitungen wie Geräte mit starken Störimpulsen verwenden. Die richtige Erdung überprüfen Sie mit einem Leitungsmessgerät. Bei störenden Bedingungen ist möglicherweise ein eigener Stromkreis oder ein Inverter erforderlich.



! VORSICHT

ZUM SCHUTZ VOR STROMSCHLAG DARF DAS GERÄT NUR MIT EINER FUNKTIONSFÄHIGEN SCHUTZKONTAKTSTECKDOSE VERBUNDEN WERDEN. DEN SCHUTZKONTAKT NICHT ENTFERNEN.

2.4.5. Anschluss für analoge Wägezelle

HINWEIS

UM EINE BESCHÄDIGUNG DER PLATINE ODER DER WÄGEZELLE ZU VERMEIDEN, TRENNEN SIE DAS IND231/IND236-TERMINAL VOM NETZ UND WARTEN SIE MINDESTENS 30 SEKUNDEN, BEVOR SIE EIN KABEL ANSCHLIEßEN ODER LÖSEN.

Die Wägezelle wird am Wägezellenstecker auf der Hauptplatine angeschlossen, siehe Abbildung 2-16.

Das IND231/236-Terminal ist für maximal vier 350 Ohm-Wägezellen (oder einem Mindestwiderstand von ca. 87 Ohm) vorgesehen. Um zu überprüfen, ob die Wägezelle für diese Installation innerhalb der Grenzen liegt, muss der Waagengesamtwiderstand (TSR) wie folgt berechnet werden:

$$\text{TSR} = \frac{\text{Eingangswiderstand der Wägezelle (Ohm)}}{\text{Anzahl der Wägezellen}}$$

Vor dem Anschluss der Wägezellen muss sichergestellt werden, dass der TSR aller am IND231/IND236 anzuschließenden Wägezellen größer ist als der in oben angegebene Mindestwert. Liegt der Widerstand unter dem Mindestwert, funktioniert das IND231/IND236 nicht ordnungsgemäß.

Außerdem muss der maximale Kabelabstand überprüft werden. Tabelle 2-3 enthält die empfohlenen maximalen Kabellängen entsprechend dem TSR und der Kabelstärke.

Tabelle 2-3: Empfohlene maximale Kabellängen

TSR (Ohm)	24 G (Meter/Fuß)	20 G (Meter/Fuß)	16 G (Meter/Fuß)
350	243/800	610/2000	1219/4000
87 (4 x 350-Ω-Zellen)	60/200	182/600	304/1000

Das IND231/IND236-Terminal ist für 2-mV/V- und 3-mV/V-Wägezellen im gleichen Schaltkreis ausgelegt. Ein Jumper zu Auswahl der Wägezelleneigenschaften ist nicht erforderlich.

Tabelle 2-4 und Abbildung 2-19 zeigen die Klemmenfestlegungen für die Klemmenleiste der analogen Wägezelle. Bei der Verwendung von vieradrigen Wägezellen müssen zwischen den Klemmen +EXC und +SEN und zwischen den Klemmen –EXC und –SEN Jumper platziert werden.

Tabelle 2-4: Belegung der Wägezellen-Abschlusskontakte

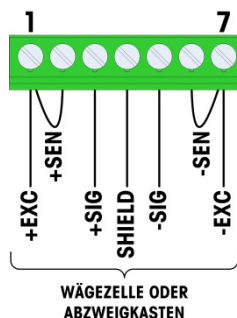
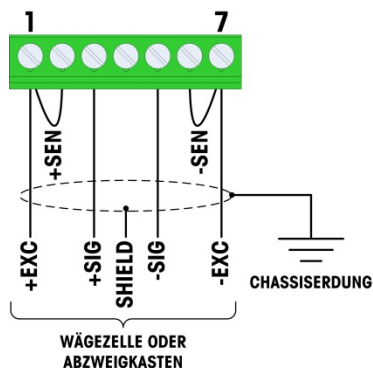
Stift	Signal
1	+EXC
2	+SEN
3	+SIG
4	Abschirmung
5	-SIG
6	-SEN

Stift	Signal
7	-EXC

vieradrige Zellen

HINWEISE

1. ABGESCHIRMTE SECHSADRIGE LEITUNG FÜR STRANGKABEL VERWENDEN
2. EINZELNE 4-ADRIGE WÄGEZELLEN: +EXC UND +SEN SOWIE -EXC UND -SEN IM IND231/IND236-TERMINAL MIT JUMPER VERBINDEN
3. MEHRERE 4-ADRIGE WÄGEZELLEN: +EXC UND +SEN SOWIE -EXC UND -SEN BEI DEN EINGANGSKLEMMEN IM ANSCHLUSSKASTEN MIT JUMPER VERBINDEN
4. ADERQUERSCHNITT: MAX. 18 AWG (0,823 mm²), MIN. 24 AWG (0,205 mm²)



sechsadrige Zellen

HINWEISE

1. ABGESCHIRMTE SECHSADRIGE LEITUNG FÜR STRANGKABEL VERWENDEN
2. ADERQUERSCHNITT: MAX. 18 AWG (0,823 mm²), MIN. 24 AWG (0,205 mm²)

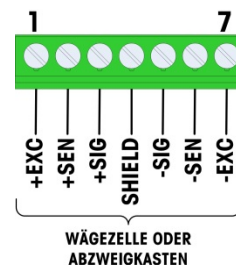
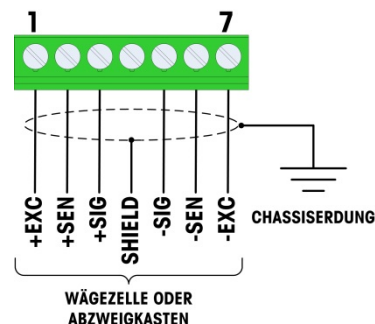


Abbildung 2-19: Wägezellenabschluss, Gehäuseerdung (oben) und Erdanschluss (unten)

- Bei Verwendung des vieradrigen Standardkabels vertauschen Sie die Signaladern (+SIG und -SIG), wenn eine Erhöhung des Gewichts zu einer Verringerung der Gewichtsanzeige führt.

2.4.5.1. Abschirmung der analogen Wägezelle und Ferritperleninstallation

Die Kabelabschirmung einer analogen Wägezelle kann entweder mit dem Gehäuse oder dem Schutzkontakt des Steckers verbunden sein. Die beiden Methoden werden im Folgenden dargestellt.

Bei beiden Methoden muss zur Einhaltung bestimmter Störemissionsgrenzen und zum Schutz des IND231/IND236-Terminals vor äußeren Einflüssen eine Ferritperle an dem Wägezellenkabel angebracht werden, das mit dem Terminal verbunden ist. Die Ferritperle ist beim Basisterminal enthalten.

2.4.5.1.1. IND231 – Anschluss des Wägezellensteckers

Wenn eine Ader des anzuschließenden Wägezellenkabels mit der Abschirmung verbunden ist, kann diese am mittleren Stift des Wägezellensteckers abgeschlossen werden.

1. Das Wägezellenkabel wird entsprechend Abbildung 2-20 in das Gehäuse geführt.

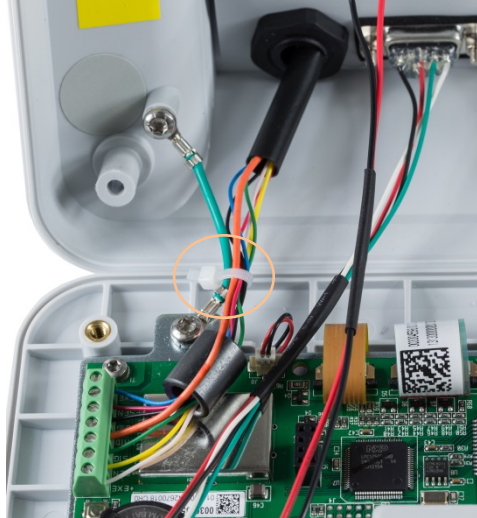


Abbildung 2-20: Stifferung der analogen Wägezelle und Ferritperleninstallation, IND231

- Beachten Sie, dass die Abschirmung nicht durch den Ferrit bestehen.
2. Schieben Sie die Ferritperle entsprechend der Darstellung über das Wägezellenkabel.
 3. Verbinden Sie die Wägezellenadern mit dem Stecker der Hauptplatine. Achten Sie auf den Farbcode der anzuschließenden Wägezellenader, Abbildung 2-19.
 4. Sichern Sie die Adern mit einem Kabelbinder am Gehäuseverbindungsdraht.

2.4.5.1.2. IND231 – Verbindung mit Gehäuseerdung

Ist keine Ader des anzuschließenden Wägezellenkabels mit der Abschirmung verbunden, muss die Abschirmung wie folgt mit der Geräteerdung verbunden werden.

1. Das Wägezellenkabel tritt über die Kabeldurchführung entsprechend Abbildung 2-23 in das Gehäuse ein.
2. Bereiten Sie das Wägezellenkabel vor. Entfernen Sie den Außenmantel und kürzen Sie die Ader der Außenabschirmung entsprechend Abbildung 2-21.



Abbildung 2-21: Wägezellenkabel mit entferntem Außenmantel, gekürzter Abschirmungsader

3. Biegen Sie die Abschirmungsader nach hinten über den Außenmantel des Kabels.



Abbildung 2-22: Wägezellenkabel mit zurückgebogener Abschirmungsader

4. Mit der Erdungsklemme des Terminals wird die freigelegte Abschirmung (Abbildung 2-22) mit der Metallplatte verbunden. Dazu wird die Befestigungsschraube des Gehäuseverbindungsdrahtes verwendet, siehe Abbildung 2-23.
5. Die Ferritperle des Terminals wird über das Kabelende geschoben, und die Adern werden mit dem Wägezellenstecker verbunden. Achten Sie auf den Farbcode der anzuschließenden Wägezellenader, Abbildung 2-19.

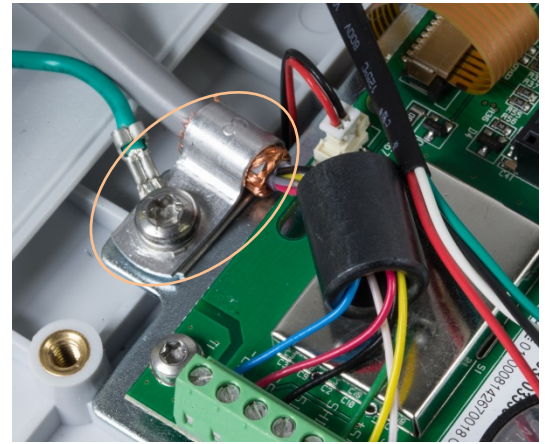
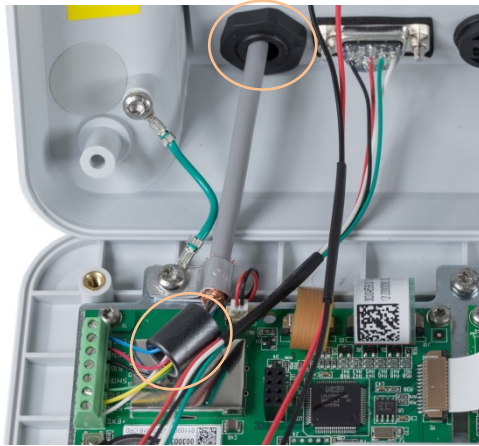


Abbildung 2-23: Ferritperleninstallation und Gehäuseerdung des analogen Wägezellenkabels, IND231

2.4.5.1.3. IND236 – Anschluss des Wägezellensteckers

Wenn eine Ader des anzuschließenden Wägezellenkabels mit der Abschirmung verbunden ist, kann diese am mittleren Stift des Wägezellensteckers abgeschlossen werden.

1. Das Wägezellenkabel tritt über die Kabeldurchführung entsprechend Abbildung 2-24 in das Gehäuse ein.



Abbildung 2-24: Stifferung der analogen Wägezelle und Ferritperleninstallation, IND236

- Beachten Sie, dass die Abschirmung nicht durch den Ferrit bestehen.
2. Schieben Sie die Ferritperle über das Wägezellenkabel und verbinden Sie die Wägezellenadern mit dem Stecker der Hauptplatine. Achten Sie auf den Farbcode der anzuschließenden Wägezellenader, Abbildung 2-19.
 3. Binden Sie die Wägezellenkabeladern und den Gehäuseverbindungsdraht mit zwei Kabelbindern zusammen.

2.4.5.1.4. IND236 – Verbindung mit Gehäuseerdung

Ist keine Ader des anzuschließenden Wägezellenkabels mit der Abschirmung verbunden, muss die Abschirmung wie folgt mit der Geräteerdung verbunden werden.

1. Das Wägezellenkabel tritt über die Kabeldurchführung entsprechend Abbildung 2-27 in das Gehäuse ein.
2. Bereiten Sie das Wägezellenkabel vor. Entfernen Sie den Außenmantel und kürzen Sie die Ader der Außenabschirmung entsprechend Abbildung 2-25.



Abbildung 2-25: Wägezellenkabel mit entferntem Außenmantel, gekürzter Abschirmungsader

- Biegen Sie die Abschirmungsader nach hinten über den Außenmantel des Kabels.



Abbildung 2-26: Wägezellenkabel mit zurückgebogener Abschirmungsader

- Schieben Sie die Erdungsklemme des Terminals über die freigelegte Abschirmungsader (siehe Abbildung 2-27).

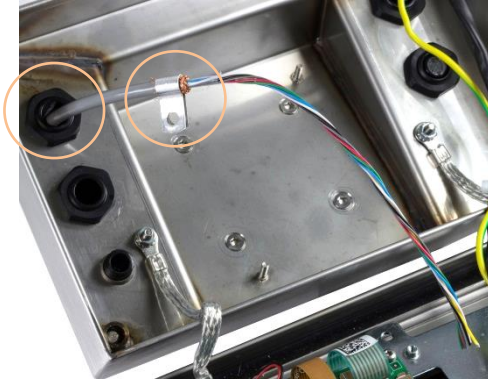


Abbildung 2-27: Einführung des Wägezellenkabels in das IND236-Gehäuse, mit Gehäuseerdungsklemme

- Verbinden Sie die Erdungsklemme mit der Befestigungsschraube der Gehäuseverbindung mit dem Gehäuse wie in Abbildung 2-28 (links).

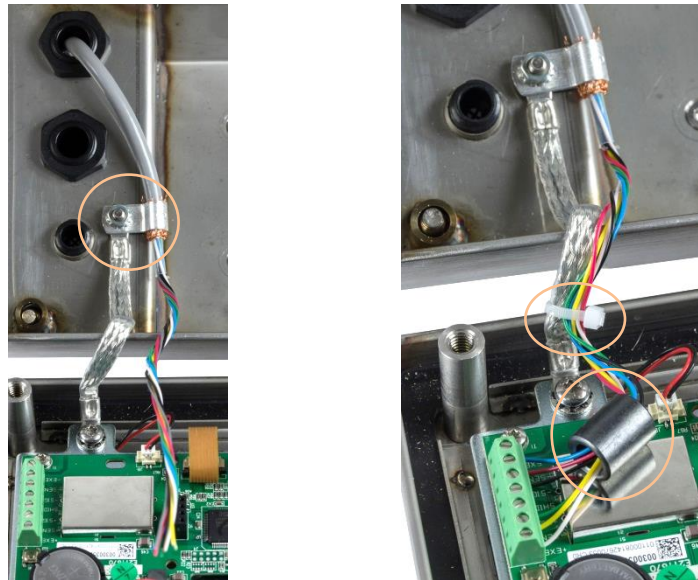


Abbildung 2-28: Ferritperleninstallation und Gehäuseerdung des analogen Wägezellenkabels, IND236

- Schieben Sie die Ferritperle entsprechend der Darstellung über das Wägezellenkabel.
- Verbinden Sie die Wägezellenadern mit dem Stecker der Hauptplatine. Achten Sie auf den Farbcode der anzuschließenden Wägezellenader, Abbildung 2-19.

8. Sichern Sie die Adern mit einem Kabelbinder am Gehäuseverbindungsdraht.

2.4.6. Serieller Anschluss COM1

Der COM1-Anschluss (REF) bietet einen RS-232-Anschluss für externe serielle Geräte. Abbildung 2-29 und Tabelle 2-5 zeigen, welches Terminal welches Signal im COM1-Anschluss (DSUB-9) des IND231 überträgt.

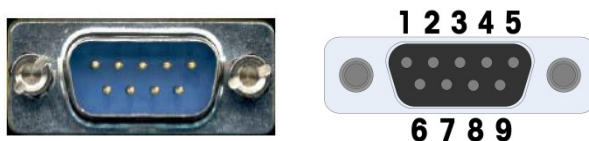


Abbildung 2-29: COM1-Anschluss des IND231

Tabelle 2-5: COM1-Anschlussignale des IND231

Klemme	Signal	
Pin 2	RxD	RS-232 Empfangen
Pin 3	TxD	RS-232 Senden
Pin 5	Gnd	Logische Masse

Im IND236 befindet sich der RS-232-Stecker an der Hauptplatine (siehe Abbildung 2-16). Das Kommunikationskabel tritt über eine Kabeldurchführung in das Gehäuse ein (siehe Abbildung 2-14) und stellt eine Verbindung mit dem COM1-Anschluss der Hauptplatine her.

Ein Beispiel für den Anschluss von externen Geräten über RS-232 ist in Abbildung 2-30 dargestellt. Stellen Sie die erforderlichen Verbindungen her.

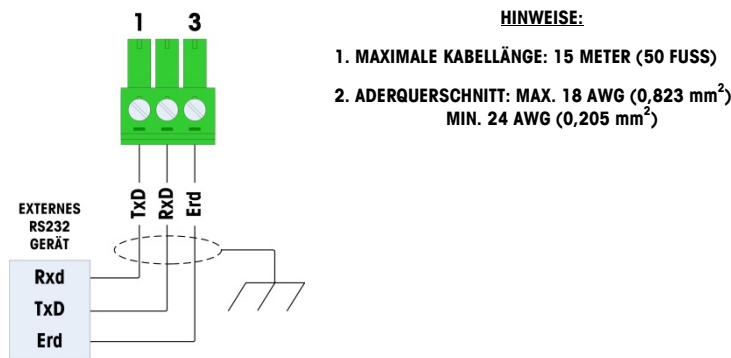


Abbildung 2-30: IND236 – Beispiel für COM1-Anschluss

2.4.7. Verdrahtungsschema für Optionen

Zu den Optionen für IND231/IND236, die einen externen Anschluss benötigen, gehören zum Beispiel:

- COM2 mit getrennter Schnittstelle RS-232/422/485
- USB-Schnittstelle
- Diskrete I/O-Schnittstelle

2.4.7.1. COM2 mit getrennter Schnittstelle RS-232/422/485

Der COM2-Anschluss mit RS-232/422/485-Optionsplatine (Abbildung 2-31) ist ein einzelner getrennter serieller Anschluss.

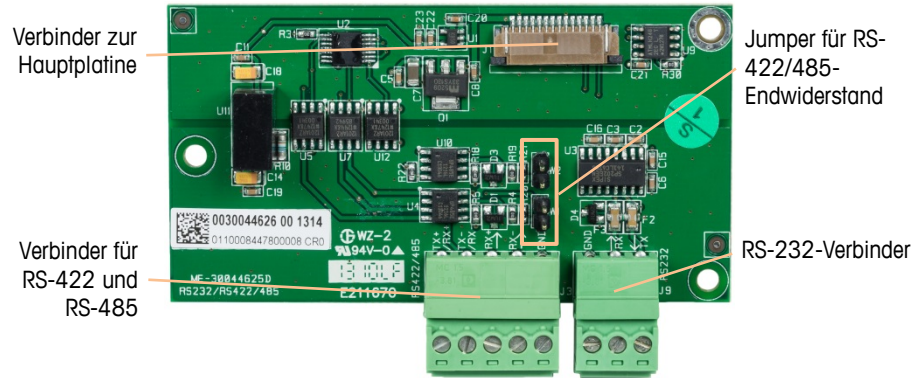


Abbildung 2-31: COM2 mit RS-232/422/485

Der COM2-Anschluss liefert RS-232-, RS-422- und RS-485-Anschlüsse. Die Hardware-Verbindung muss in dem Abschnitt „Kommunikation“ des Setup-Menüs konfiguriert werden – siehe Kapitel 3 im **Benutzerhandbuch, Konfiguration**. Abbildung 2-33 und Tabelle 2-6 zeigen die Verbindungsdetails.

Die Jumper auf der Platine (W1 und W2, siehe Abbildung 2-31) sind standardmäßig offen. Sie ermöglichen den Anschluss eines 120-Ohm-Endwiderstands an den A/B-Signalen von RS-422 und RS-485. Zum Aktivieren des Endwiderstands müssen die Jumper in Abbildung 2-32 kurzgeschlossen werden.

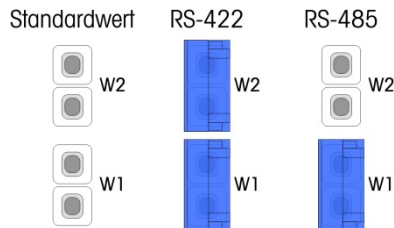


Abbildung 2-32: COM2-Jumperpositionen

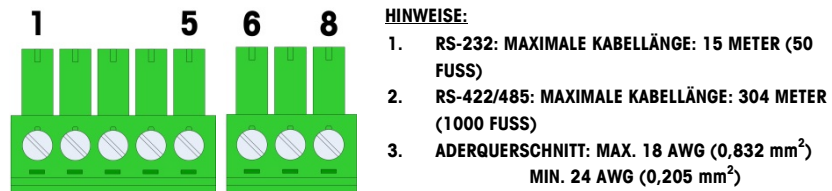


Abbildung 2-33: COM2-Portsignale

Tabelle 2-6: Pinbelegung des getrennten seriellen Anschlusses

Klemme	Signale	Beschreibung
Pin 1	TX/RX+	RS-485 Daten A oder RS-422 Senden Daten A
Pin 2	TX/RX-	RS-485 Daten B oder RS-422 Senden Daten B
Pin 3	RX+	RS-422 Empfangen Daten A

Klemme	Signale	Beschreibung
Pin 4	RX-	RS-422 Empfangen Daten B
Pin 5	GND	Logische Masse für RS-422/485
Pin 6	GND	Logische Masse für RS-232
Pin 7	RX	RS-232 Empfangen
Pin 8	TX	RS-232 Senden

2.4.7.2. USB-Geräteoption

Diese Optionsplatine liefert einen Mini-USB-Anschluss des Typs B, siehe Abbildung 2-35. Der Mini-USB-Anschluss ist eine Geräteschnittstelle (kein Host) und funktioniert im Wesentlichen als serieller Anschluss. Für den Anschluss an diesen Ausgang ist ein passendes externes Mini-USB-Kabel des Typs B erforderlich.

Der Anschluss ist bei Nichtverwendung mit einer Schraubabdeckung verschlossen.

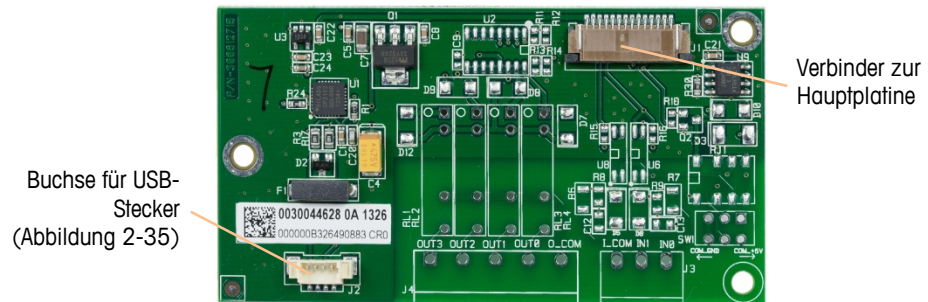


Abbildung 2-34: USB-Optionsplatine

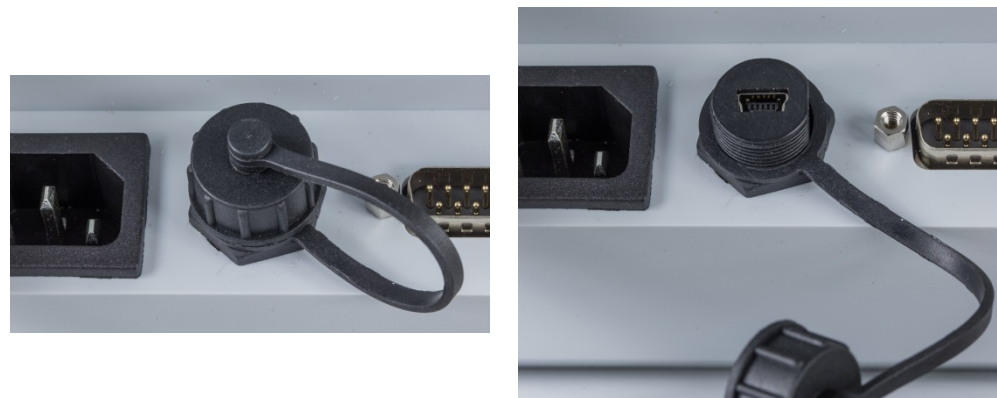


Abbildung 2-35: Mini-USB-Anschluss und Abdeckung

2.4.7.3. Diskrete I/O-Schnittstelle

Diese Optionsplatine liefert zwei getrennte Eingänge und vier in der Regel geöffnete potentialfreie Relais-Ausgänge. Die Eingänge lassen sich je nach Stellung des Schiebeschalters als aktive oder passive Eingänge einstellen, siehe Abbildung 2-36.



Abbildung 2-36: Diskrete I/O-Optionsplatine

2.4.7.3.1. Diskreter I/O-Schalter

Ein Schalter auf der Platine der diskreten I/O-Schnittstelle bestimmt, ob die Eingänge aktiv oder passiv sind. Der Schalter muss vor der Verdrahtung der Eingänge ordnungsgemäß konfiguriert sein. Die Lage des Schalters und die Einstellung „aktiv/passiv“ sind in Abbildung 2-37 dargestellt.

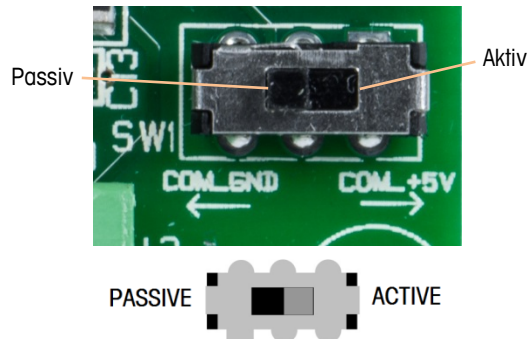
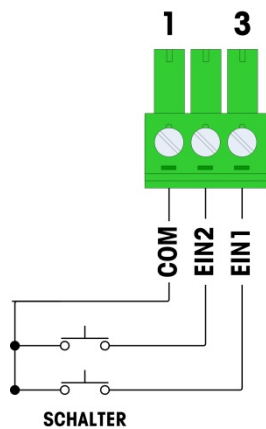


Abbildung 2-37: Diskreter I/O-Schalter

2.4.7.3.2. Aktiver Eingang

Werden die Eingänge als „aktiv“ ausgewählt, können Schalter oder ähnliche einfache Geräte angeschlossen werden, die ein Eingangssignal liefern. Das externe Gerät wird nicht mit Spannung versorgt.

Ein Beispiel zur Verdrahtung der aktiven Eingänge ist in Abbildung 2-38 dargestellt.



HINWEISE:

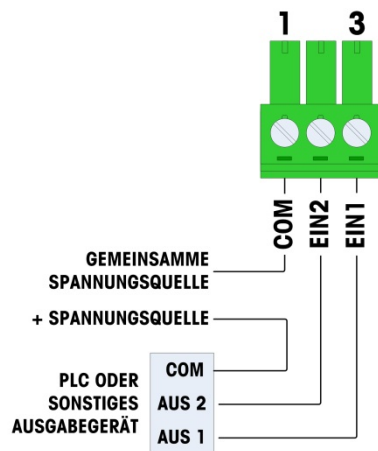
1. SPANNUNG ENTSPRICHT LOGIKPEGEL VON 5 V₋. KONTAKTE MIT GERINGEM WIDERSTAND EMPFOHLEN. MAXIMALE KABELLÄNGE: 6 METER (20 FUSS).
2. DIE EINGANGSADERN NICHT ZUSAMMEN MIT NETZKABELN ODER ANDEREN STARKSTROMLEITUNGEN VERLEGEN.
3. SCHALTER KÖNNEN DURCH POTENTIALFREIE KONTAKTE DES RELAIS ERSETZT WERDEN.
4. ADERQUERSCHNITT: MAX. 18 AWG (0,832 mm²)
MIN. 24 AWG (0,205 mm²)

Abbildung 2-38: Aktive Eingangsanschlüsse

2.4.7.3.3. Passiver Eingang

Werden die Eingänge als „passiv“ festgelegt, können andere Geräte wie SPS angeschlossen werden, um die Triggerspannung (in der Regel 12 oder 24 V₋, maximal 30 V₋) zum Einschalten der IND231/236-Eingänge zu liefern.

Ein Beispiel für die Verdrahtung der passiven Eingänge mit +V ist in Abbildung 2-39 dargestellt.



HINWEISE:

1. SPANNUNG: 5–30 V₋, MAX. STROMSTÄRKE: 10mA. DIE POLUNG DARF NICHT VERTAUSCHT WERDEN.
2. DIE EINGANGSADERN NICHT ZUSAMMEN MIT NETZKABELN ODER ANDEREN STARKSTROMLEITUNGEN VERLEGEN.
3. ADERQUERSCHNITT: MAX. 18 AWG (0,832 mm²)
MIN. 24 AWG (0,205 mm²)

Abbildung 2-39: Passive Eingangsanschlüsse

2.4.7.3.4. Relais-Ausgänge

Die Relais-Ausgänge schalten bis zu 250 V~ oder 30 V– bei max. 1 A. Die Relais-Ausgänge sind aufgrund der potentialfreien Kontakte nicht polabhängig. Ein Beispiel für die Verdrahtung der Ausgänge finden Sie in Abbildung 2-40.

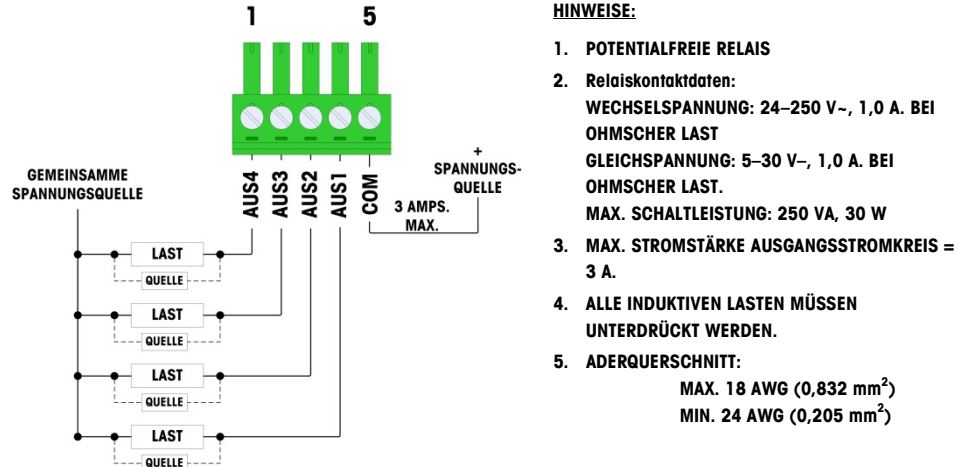


Abbildung 2-40: Relais-Ausgänge

2.5. Anweisungen zum Kapazitätsschild

Bestimmte lokale Vorschriften sehen vor, dass die Waagenkapazität und die Schrittweite auf der Vorderseite des Terminals in der Nähe der Anzeige angegeben werden müssen. Zur Erfüllung dieser Vorschriften ist im Lieferumfang des Terminals ein blaues Kapazitätsschild enthalten, das ausgefüllt und an das Terminal geklebt werden muss.

Auf dem Kapazitätsschild (siehe Abbildung 2-41) können Sie die Höchst- und Mindestwerte und die e-Werte für jeden Bereich angeben, für den die Waage programmiert ist. Der nicht benötigte Teil des Schildes kann mit einer Schere abgeschnitten werden. Die schriftlichen Informationen müssen lesbar und mindestens 2 mm groß sein. Verwenden Sie einen Permanentmarker.

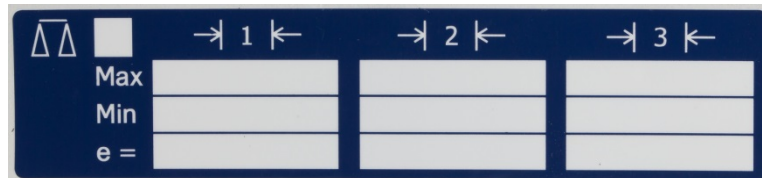


Abbildung 2-41: Kapazitätsschild

Reinigen Sie die Stelle, an der Sie das Kapazitätsschild aufkleben möchten, von Öl oder sonstigen Verunreinigen. Entfernen Sie die Schutzfolie des Schildes und befestigen Sie es am Terminal oder an einer anderen Stelle, die entsprechend den lokalen Vorschriften zulässig ist.

2.6. Schließen des Gehäuses

Nach Abschluss der Arbeiten im Terminal muss das Gehäuse geschlossen werden. Befestigen Sie die Schrauben, damit die Abdeckung richtig sitzt – siehe Abschnitt „Öffnen des Gehäuses“ auf Seite A-1.

2.6.1. Anzugsmomente für die Befestigungselemente des Gehäuses

Die Befestigungselemente des Gehäuses müssen mit folgenden Anzugsmomenten angezogen werden:

IND231:	1,5 Nm
IND236:	5,5 Nm

2.7. Plombieren des Gehäuses

Wenn das IND231/IND236-Terminal in einer metrologisch zugelassenen Anwendung eingesetzt wird, muss es mit einer Plombe vor unerlaubtem Zugriff geschützt werden. Für die Gehäuse darf nur die Drahtplombe verwendet werden, die im Lieferumfang des Terminals enthalten ist.

Für eine Plombierung des Terminals müssen folgende Bedingungen erfüllt werden:

- Es muss eine Wägebrücke über eine Kabeldurchführung für Wägezellen mit dem Terminal verbunden sein, und das Gehäuse und die Kabeldurchführung müssen ordnungsgemäß befestigt sein.
- Die Plombierung muss das Entfernen von Medien mit den Kalibrierdaten des Terminals verhindern.
- Die Plombierung muss den Zugriff auf die Konfiguration von für die Eichung wichtigen Funktionen verhindern.

Details zur Plombierung des IND231/IND236-Terminals finden Sie in Abbildung 2-42. Gehen Sie wie folgt vor:

1. Stellen Sie sicher, dass die richtige Zulassungsregion im Setup-Menü unter F1.1.2 Zulassung ausgewählt wurde.
2. Die Frontplatte muss mit den Befestigungsschrauben am Gehäuse befestigt sein. Führen Sie dann das freie Ende der Drahtplombe durch die Plombierschraube von IND231/IND236 und durch die Öffnung in der Plombiervorrichtung am Gehäuse (Abbildung 2-42).



Abbildung 2-42: Anbringen der Plombe, IND231 (links) und IND236 (rechts)

3. Führen Sie das Ende der Drahtplombe durch die Öffnung in der Kunststoffplombe (Abbildung 2-43, links) und ziehen Sie den Draht straff. Schließen Sie dann die Plombe (Abbildung 2-43, rechts). Schneiden Sie den überstehenden Draht ab.



Abbildung 2-43: Schließen der Plombe

IND231/IND236

Terminal de pesage



IND231/IND236

Terminal de pesage

METTLER TOLEDO Service

Services essentiels à une performance fiable

Nous vous remercions d'avoir sélectionné la qualité et la précision de METTLER TOLEDO. Si vous respectez les instructions stipulées dans ce manuel pour votre nouvel équipement et confiez régulièrement l'étalonnage et la maintenance à notre équipe de service formée à l'usine, vous obtiendrez non seulement une exploitation fiable et précise, mais vous protégerez votre investissement. Consultez-nous pour discuter d'un contrat de service adapté à vos besoins et votre budget. Vous trouverez de plus amples informations à l'adresse suivante: www.mt.com/service.

Il existe plusieurs méthodes garantissant l'optimisation de la performance de votre investissement:

1. **Enregistrez votre produit:** Nous vous invitons à enregistrer votre produit à l'adresse www.mt.com/productregistration afin de nous permettre de vous avertir des améliorations, mises à jour et avis importants relatifs à votre produit.
2. **Contactez METTLER TOLEDO pour le service:** La valeur d'une mesure est proportionnelle à sa précision. Une balance hors spécification peut affecter la qualité, réduire les revenus et accroître les responsabilités. Le service ponctuel de METTLER TOLEDO garantit la précision et optimise la durée d'exploitation ainsi que la vie utile de l'équipement.
 - a. **Installation, Configuration, Intégration et Formation:** Nos représentants techniques sont des spécialistes des équipements de pesage, formés à l'usine. Nous veillons à ce que l'équipement de pesage soit prêt à la production de manière rentable et ponctuelle et que le personnel soit formé pour optimiser la réussite.
 - b. **Documentation d'étalonnage initial:** Les conditions relatives à l'application et l'environnement de l'installation sont différentes pour toutes les balances industrielles de sorte que la performance doit être testée et certifiée. Nos services d'étalonnage et les certificats documentent la précision afin de garantir la qualité de la production et fournir un enregistrement du système de qualité sur la performance.
 - c. **Maintenance périodique de l'étalonnage:** Un Accord de service d'étalonnage favorise la confiance continue dans votre processus de pesage et fournit la documentation de conformité aux normes. Nous offrons toute une gamme de programmes de service qui sont préparés pour satisfaire vos besoins et conçus pour correspondre à votre budget.

© METTLER TOLEDO 2013

Toute reproduction et tout transfert du présent manuel sous quelque forme que ce soit et de quelque manière que ce soit, électronique ou mécanique, y compris la photocopie et l'enregistrement, pour quelque raison que ce soit, sont strictement interdits sans le consentement écrit exprès préalable de METTLER TOLEDO.

Droits limités par le gouvernement américain : cette documentation est fournie avec des droits limités.

Copyright 2013 METTLER TOLEDO. La présente documentation contient des informations exclusives à METTLER TOLEDO. Elle ne peut être recopiée ni intégralement ni partiellement sans le consentement exprès préalable écrit de METTLER TOLEDO.

METTLER TOLEDO se réserve le droit d'apporter des changements au produit ou au manuel sans préavis.

COPYRIGHT

METTLER TOLEDO® est une marque déposée de Mettler-Toledo, LLC. Toutes les autres marques et noms de produit sont des marques de commerce ou des marques déposées de leurs sociétés respectives.

METTLER TOLEDO SE RÉSERVE LE DROIT D'APPORTER DES AMÉLIORATIONS OU DES MODIFICATIONS SANS PRÉAVIS.

Avis de la FCC

Cet équipement est conforme à la section 15 de la réglementation de la FCC et aux règlements sur les brouillages radioélectriques édictés par le Ministère des Communications du Canada. Son utilisation est sujette aux conditions suivantes : (1) cet appareil ne doit pas provoquer d'interférences néfastes, et (2) cet appareil doit accepter toutes les interférences reçues, y compris celles pouvant provoquer un fonctionnement non désiré.

Cet équipement a été testé et déclaré conforme aux limites des appareils numériques de classe A, en vertu de la Section 15 des règles de la FCC (Commission fédérale des communications). Ces limites ont pour objectif de fournir une protection raisonnable contre toute interférence dangereuse lorsque l'équipement est utilisé dans un environnement commercial. Cet équipement génère, utilise et peut rayonner une énergie de radiofréquence et s'il n'est pas installé et utilisé conformément au guide d'utilisateur, il peut générer des brouillages préjudiciables aux communications radio. L'utilisation de cet équipement dans une zone résidentielle risque de générer des brouillages préjudiciables auquel cas, l'utilisateur se verra dans l'obligation de rectifier la situation à ses frais.

- La déclaration de conformité est située sur le CD de documentation.

Déclaration de conformité RoHS

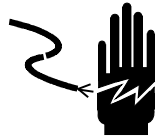
- La plupart de nos produits appartiennent aux catégories 8 et 9 qui ne s'inscrivent pas dans le cadre de la Directive 2002/95/EG (RoHS) du 27 janvier 2003. Si nos produits sont destinés à être utilisés dans d'autres produits qui eux-mêmes dépendent de la directive RoHS, les conditions de conformité doivent être négociées séparément par contrat.
- Les produits qui appartiennent aux catégories 1-7 et 10 seront conformes à la directive RoHS de l'UE datant au minimum du 1er juillet 2007.
- Si, pour des raisons techniques, il est impossible de remplacer des substances non conformes à RoHS dans l'un des produits susmentionnés selon les besoins, nous informerons nos clients en temps opportun.

Déclaration relative aux substances dangereuses.

Nous n'utilisons aucune substance dangereux, tels que l'amiante, les substances radioactives ou les composés d'arsenic. Toutefois, nous achetons des composants auprès de fournisseurs tiers qui peuvent contenir certaines de ces substances en très petites quantités.

Mises en garde

- LIRE ce guide AVANT de faire fonctionner ou de réparer l'équipement et RESPECTER soigneusement toutes les instructions.
- CONSERVER ce manuel à titre de référence ultérieure.



AVERTISSEMENT

POUR ASSURER UNE PROTECTION SANS FAILLE CONTRE LES CHOCs ÉLECTRIQUES, BRANCHEZ LA VERSION CA DU TERMINAL DE L'IND231/IND236 À UNE PRISE CORRECTEMENT MISE À LA TERRE (MASSE). N'ENLEVEZ PAS LA BROCHE DE TERRE (MASSE).



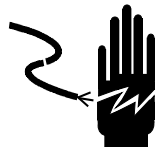
AVERTISSEMENT

SEUL UN PERSONNEL QUALIFIÉ EST AUTORISÉ À RÉPARER CE TERMINAL. PRENEZ LES PRÉCAUTIONS NÉCESSAIRES LORS DES CONTRÔLES, TESTS ET RÉGLAGES DEVANT ÊTRE RÉALISÉS SOUS TENSION. L'INOBSERVATION DE CES CONSIGNES PEUT ENTRAÎNER UN ACCIDENT ET/OU DES DOMMAGES MATÉRIELS.



AVERTISSEMENT

L'IND231/IND236 N'EST PAS CONÇU POUR ÊTRE UTILISÉ DANS DES ZONES CLASSIFIÉES COMME ÉTANT DANGEREUSES EN RAISON D'ATMOSPHÈRES COMBUSTIBLES OU EXPLOSIVES. N'INSTALLEZ PAS L'IND231/IND236 DANS UN ENVIRONNEMENT EXPLOSIF.



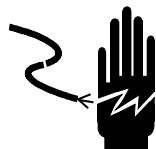
AVERTISSEMENT

LORSQUE CET APPAREIL EST INCLUS COMME COMPOSANT D'UN SYSTÈME, LA CONCEPTION EN RÉSULTANT DOIT ÊTRE PASSÉE EN REVUE PAR UN PERSONNEL QUALIFIÉ CONNAISSANT BIEN LA FABRICATION ET LE FONCTIONNEMENT DE TOUTS LES COMPOSANTS DU SYSTÈME AINSI QUE LES DANGERS POTENTIELS INHÉRENTS. NE PAS RESPECTER CETTE CONSIGNE PEUT ENTRAÎNER DES BLESSURES ET/OU DES DOMMAGES MATÉRIELS.



ATTENTION

LA BATTERIE NIMH UTILISÉE DANS CE DISPOSITIF PEUT PRÉSENTER UN RISQUE D'INCENDIE OU DE BRÛLURES CHIMIQUES EN CAS DE MAUVAIS TRAITEMENTS. ÉVITEZ UN ÉCRASEMENT, UN DÉMONTAGE, UNE CHALEUR AU-DESSUS DE 60 °C ou UNE INCINÉRATION. REMPLACEZ EXCLUSIVEMENT LA BATTERIE PAR LE MODÈLE 30044650. L'UTILISATION D'UNE AUTRE BATTERIE PEUT PRÉSENTER UN RISQUE DE BRÛLURES, D'INCENDIE OU D'EXPLOSION.



ATTENTION

PRENEZ LES PRÉCAUTIONS D'USAGE EN TESTANT LA BATTERIE. UNE QUANTITÉ IMPORTANTE DE COURANT PEUT SE TROUVER DANS LA BATTERIE.



! ATTENTION

METTEZ RAPIDEMENT AU REBUT LA BATTERIE USAGÉE. NE LA LAISSEZ PAS À PORTÉE DES ENFANTS. NE LA DÉMONTÉZ PAS ET NE L'INCINÉREZ PAS.



! ATTENTION

AVANT DE BRANCHER ET DE DÉBRANCHER LES COMPOSANTS ÉLECTRONIQUES INTERNES OU D'EFFECTUER DES CONNEXIONS ENTRE LES APPAREILS ÉLECTRONIQUES, TOUJOURS METTRE HORS TENSION ET ATTENDRE AU MOINS TRENTE (30) SECONDES AVANT DE CONNECTER/DÉCONNECTER LES APPAREILS. NE PAS RESPECTER CES CONSIGNES POURRAIT ENTRAÎNER DES BLESSURES OU ENDOMMAGER, VOIRE DÉTRUIRE L'APPAREIL.

AVIS

N'ESSAYEZ PAS DE CHARGER LA BATTERIE SI SA TEMPÉRATURE EST INFÉRIEURE À 0 °C (32 °F). LA CHARGE EST IMPOSSIBLE À CETTE TEMPÉRATURE OU EN DESSOUS. NE FAITES PAS FONCTIONNER LE CHARGEUR DE BATTERIE EN DEHORS DE SA PLAGE DE TEMPÉRATURE DE 0 °C (32 °F) À 40 °C (104 °F).

AVIS

POUR ÉVITER D'ENDOMMAGER LA CARTE OU LE CAPTEUR, DÉCONNECTEZ L'ALIMENTATION SUR LE TERMINAL IND231/IND236 ET ATTENDEZ AU MOINS 30 SECONDES AVANT DE CONNECTER OU DE DÉCONNECTER UN FAISCEAU DE CÂBLES.



AVIS

TOUJOURS MANIPULER LES APPAREILS SENSIBLES À DES CHARGES ÉLECTROSTATIQUES AVEC PRÉCAUTION.

Condition relative à une mise au rebut sécuritaire

Conformément à la directive européenne 2002/96/CE sur l'équipement électronique et électrique des déchets (WEEE), cet appareil ne peut pas être éliminé dans des déchets ménagers. Cette consigne est également valable pour les pays en dehors de l'UE, selon les conditions spécifiques aux pays.



Prrière d'éliminer ce produit conformément à la réglementation locale au point de collecte spécifié pour les équipements électriques et électroniques.

Pour de plus amples informations, contactez l'autorité responsable ou le distributeur auprès duquel vous avez acheté cet appareil.

Si cet appareil change de propriétaire (pour des raisons personnelles ou professionnelles), cette consigne doit être communiquée à l'autre partie.

Nous vous remercions de votre contribution à la protection de l'environnement.

Table des matières

1	Introduction	1-1
1.1.	Présentation générale de l'IND231/IND236	1-1
1.1.1.	Caractéristiques standard	1-1
1.1.2.	Types de terminal IND231/IND236	1-2
1.2.	Utilisation dans des zones dangereuses.....	1-2
1.3.	Spécifications	1-2
1.4.	Identification du modèle.....	1-4
1.5.	Liste de contrôle d'inspection et du contenu.....	1-5
1.6.	Dimensions.....	1-6
1.7.	Circuit imprimé principal	1-7
1.8.	Bases de balances	1-8
1.9.	Options.....	1-8
1.9.1.	Interface série isolée RS232/RS422/RS485.....	1-8
1.9.2.	E/S discrètes	1-8
1.9.3.	USB	1-8
1.10.	Affichage et clavier	1-9
1.10.1.	Agencement de l'affichage.....	1-9
1.10.2.	Touches du panneau avant	1-10
2	Installation	2-1
2.1.	Ouverture de l'enceinte.....	2-1
2.2.	Protection de l'environnement	2-2
2.3.	Montage du terminal	2-3
2.3.1.	Montage de l'IND231	2-3
2.3.2.	Montage de l'IND236	2-4
2.4.	Installation des câbles et des connecteurs.....	2-5
2.4.1.	Connecteurs et presse-étoupes.....	2-6
2.4.2.	Identification de la carte	2-8
2.4.3.	Connexions de câblage de la carte principale.....	2-8
2.4.4.	Connexions de l'alimentation CA.....	2-9
2.4.5.	Connexion à un capteur analogique	2-10
2.4.6.	Connexion du port série COM1	2-16
2.4.7.	Connexions de câblage des options	2-16
2.5.	Instructions de l'étiquette de capacité.....	2-21
2.6.	Fermeture de l'enceinte	2-22
2.6.1.	Spécifications de serrage des fixations de l'enceinte	2-22
2.7.	Plombage de l'enceinte.....	2-22

1 Introduction

Ce chapitre se compose ainsi :

- Présentation générale de l'IND231/IND236
- Utilisation dans des zones dangereuses
- Spécifications
- Identification du modèle
- Inspection et liste de contrôle du contenu
- Dimensions
- Circuit imprimé principal
- Bases de bascules
- Options
- Affichage et clavier

Le terminal IND231/IND236 destiné aux balances industrielles offre une solution compacte, mais néanmoins souple, pour une large gamme de pesages. Ce terminal, disponible avec une alimentation alternative ou sous batterie dans sa version portable, est à sa place dans presque tous les environnements industriels.

Les capteurs 2mv/V et 3mv/V sont pris en charge sans devoir modifier la configuration. L'IND231/IND236 fournit des données de mesures de précision de quelques grammes jusqu'à plusieurs tonnes dans un conditionnement unique et rentable.

Les applications standard comprennent le pesage de base, le pesage d'animaux, le pesage de contrôle (Plus/Moins), le comptage et l'accumulation. Des modèles d'impression prédéfinis et spécifiques aux applications comprenant la date et un horodatage fournissent la transmission des informations de transactions de pesage vers des imprimantes et des applications logicielles sur PC.

1.1. Présentation générale de l'IND231/IND236

1.1.1. Caractéristiques standard

- Concept de l'enceinte en plastique facile à manipuler pour l'IND231, enceinte robuste en acier inoxydable pour l'IND236
- Prise en charge d'une plate-forme de capteurs analogiques jusqu'à quatre capteurs de 350 Ω
- Peut être utilisé comme un écran distant pour montrer le poids d'un terminal principal séparé
- Affichage ACL à sept grands segments avec rétroéclairage blanc et icônes graphiques pour une lecture claire, quelles que soient les conditions d'éclairage
- Alimentation de 85 à 264 volts alternatifs ou par batterie interne
- Un port série standard (COM1) pour des communications asynchrones et bidirectionnelles
- Prise en charge une des cartes suivantes en option :
 - Interface série COM2 électriquement isolée RS232, RS422 et RS485
 - Interface USB de connexion à un PC
 - Interface E/S discrètes
- Touche sur le panneau avant permettant d'accéder aux fonctions de pesage de base : zéro, tare, effacement, fonction configurable et impression

- Sélection de l'unité principale de mesures, notamment les grammes, kilogrammes, livres et onces
- Deuxième unité de mesure sélectionnable, notamment les grammes, kilogrammes, livres et onces
- Paramètres de sauvegarde et de restauration de la configuration et de l'étalonnage en utilisant l'outil InSite® SL
- Fonctions d'arrêt automatique et de temporisation du rétroéclairage afin de réduire la consommation d'énergie et de prolonger la durée de la batterie sur les versions alimentées par batterie

1.1.2. Types de terminal IND231/IND236

Le terminal est disponible dans les quatre versions suivantes :

- Enceinte en plastique IND231, alimentation secteur (également conçu pour être utilisé avec des piles alcalines de type AA)
- Enceinte en plastique IND231, alimentation par batterie Ni-MH rechargeable
- Enceinte en acier inoxydable IND236, alimentation secteur
- Enceinte en acier inoxydable IND236, alimentation par batterie Ni-MH rechargeable

1.2. Utilisation dans des zones dangereuses

	 AVERTISSEMENT
	N'UTILISEZ PAS LE TERMINAL IND231/IND236 DANS DES ZONES CLASSÉES DANGEREUSES EN RAISON D'ATMOSPHÈRES COMBUSTIBLES OU EXPLOSIVES. CONTACTEZ UN REPRÉSENTANT METTLER TOLEDO AGRÉÉ POUR DE PLUS AMPLES INFORMATIONS SUR LES APPLICATIONS DESTINÉES AUX ZONES DANGEREUSES.

1.3. Spécifications

Le terminal IND231/IND236 est conforme aux spécifications répertoriées sur le tableau 1-1.

Tableau 1-1 : Spécifications du terminal

Spécifications	IND231	IND236
Type d'enceinte	Enceinte en plastique, configurable pour montage sur bureau ou mural/sur colonne	Enceinte en acier inoxydable, configurable pour montage sur bureau ou mural/sur colonne

Spécifications	IND231	IND236
Dimensions du produit (L x h x p)	220 mm x 150 mm x 102 mm (8,66 po x 5,90 po x 4,02 po)	220 mm x 150 mm x 93,3 mm) (8,66 po x 5,90 po x 3,67 po)
Dimensions d'expédition (L x h x p)	350 mm x 220 mm x 195 mm (13,78 po x 8,66 po x 7,68 po)	
Poids du produit	Version secteur : 1,2 kg (2,6 lb) Version batterie : 1,5 kg (3,3 lb)	Version secteur : 2,2 kg (4,9 lb) Version batterie : 2,5 kg (5,5 lb)
Poids à l'expédition	2,0 kg	3,0 kg
Protection de l'environnement	IP54	IP66/67
Environnement de fonctionnement	Températures de fonctionnement entre -10 °C et +40 °C Températures de stockage entre -20 °C et +60 °C Humidité relative : 10 à 95 %, sans condensation	
Zones dangereuses	Le terminal ne peut pas être utilisé dans des zones classées dangereuses en raison de l'atmosphère explosive ou combustible y régnant. Contactez un représentant METTLER TOLEDO agréé pour de plus amples informations sur les applications destinées aux zones dangereuses.	
Alimentation	Version CA : Fonctionne entre 85 et 264 V CA, 49 à 61Hz et comprend un câble d'alimentation configuré pour le pays d'utilisation.	
	Version batterie : Six piles alcalines AA ou bloc de batteries NiMH rechargeables (environ 120 heures pour un seul capteur)	Version batterie : Batterie NiMH rechargeable (environ 120 heures pour un seul capteur)
Affichage	Affichage ACL avec caractère à sept segments de 40 mm et à sept chiffres, rétroéclairage blanc comprenant l'affichage du poids, les unités de pesée, l'indication brut/net ainsi que les symboles de déplacement, centrage du zéro et autres applications	
Affichage du poids	Résolution maximum de l'affichage de 30 000 divisions	
Types de balances	Capteurs analogiques	
Nombre de capteurs	Maximum de quatre capteurs de 350 ohms (2 ou 3 mV/V)	
Nombre de balances	Une	
Taux de rafraîchissement analogique/numérique	Analogique interne : 80 Hz	
Tension d'excitation des capteurs	5 V CC	
Sensibilité minimum	0,5 µV/e	
Clavier	Sept touches : Zéro, Tare, Effacement, Marche/Arrêt, Impression, F1 et F2 (configurables)	

Spécifications	IND231	IND236
Options de communication	<p>Interfaces série</p> <p>Standard : Un port série (COM1) RS-232, 1200 à 115 200 bauds Port série isolé en option : (COM2) RS-232/422/485, 1200 à 115 200 bauds</p> <p>Interface E/S numérique</p> <p>Port E/S numérique en option : 2 entrées/4 sorties</p> <p>Interface USB</p> <p>Port pour périphériques USB en option</p> <p>Protocole</p> <p>Entrées série : Commandes ASCII pour CTPZ (Effacement, Tare, Impression, Zéro), SICS (la plupart des commandes de niveau 0 et de niveau 1)</p>	
Application	Zéro, Tare, Impression, X10, Date et heure, Pesage de base, Pesage d'animaux, Comptage avec amélioration APW, Pesage de contrôle Plus/Moins avec 10 enregistrements de la base de données, Accumulation, Affichage à distance	
Approbations	<p>Poids et Mesures</p> <p>États-Unis : NTEP Class III/IIIL - 10,000d ; Cert. D13-049,</p> <p>Canada : Classe III, 10,000d ; Classe IIIHD, 20,000d,</p> <p>Europe : Class III, 2 x 3000e et 6000e ; TC78351, T5976</p> <p>OIML : Class III, 2 x 3000e et 6000e ;</p> <p>Sécurité des produits</p> <p>UL, cUL, CE</p>	
Accessoires	Support de montage mural/sur colonne ; support pour bureau	

1.4. Identification du modèle

Le numéro de modèle, le numéro usine et le numéro de série de l'IND231/IND236 se trouvent sur la plaque signalétique du terminal. Reportez-vous à la Figure 1-1 afin de vérifier la configuration du terminal IND231/IND236 lorsqu'il quitte l'usine METTLER TOLEDO.

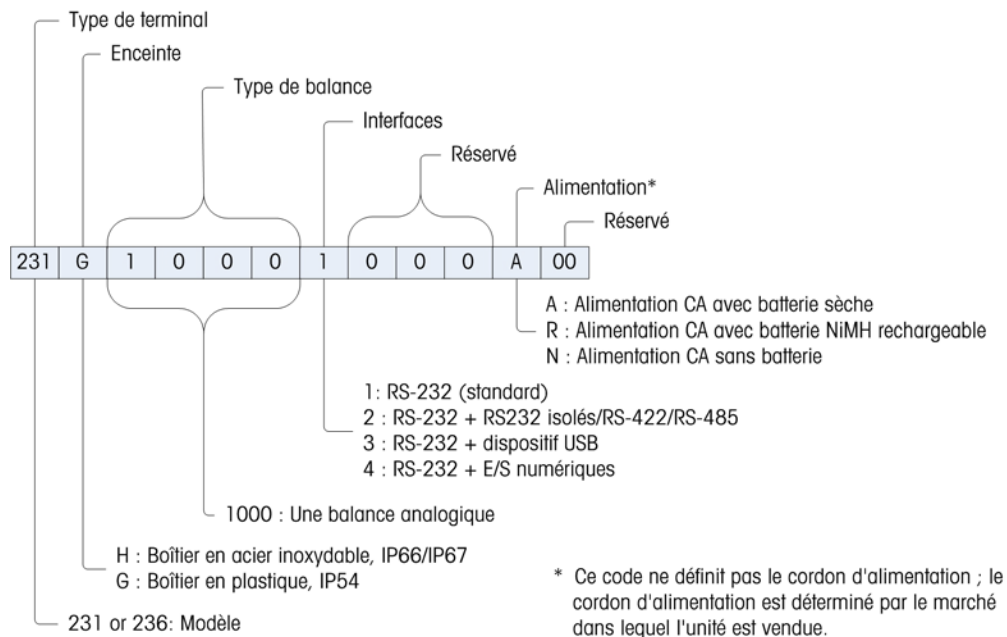


Figure 1-1 : Tableau de configuration de l'IND231

1.5. Liste de contrôle d'inspection et du contenu

Vérifiez le contenu et inspectez l'emballage immédiatement à la livraison. Si l'emballage d'expédition est endommagé, vérifiez la présence éventuelle de dommages internes et remplissez si nécessaire une réclamation auprès du transporteur. Si l'emballage n'a subi aucun dommage, déballiez le terminal de son conditionnement protecteur en prenant note de la méthode d'emballage utilisée et vérifiez qu'aucun composant n'est endommagé.

Si la réexpédition du terminal est nécessaire, l'utilisation de l'emballage d'origine est recommandée. Le terminal doit être correctement emballé afin de garantir son transport en toute sécurité.

L'emballage doit comprendre :

- Terminal IND231 ou IND236
- Manuel d'installation (ou Instructions de sécurité)
- Cordon d'alimentation
- Sac contenant diverses pièces
- Manuel de l'utilisateur (ou CD)
- Batterie (seulement pour la version avec batterie)
- Supports de montage (1)

1.6. Dimensions

Les dimensions de l'enceinte de l'IND231/IND236 sont présentées sur les Figure 1-2 et Figure 1-3 en mm et en [po].

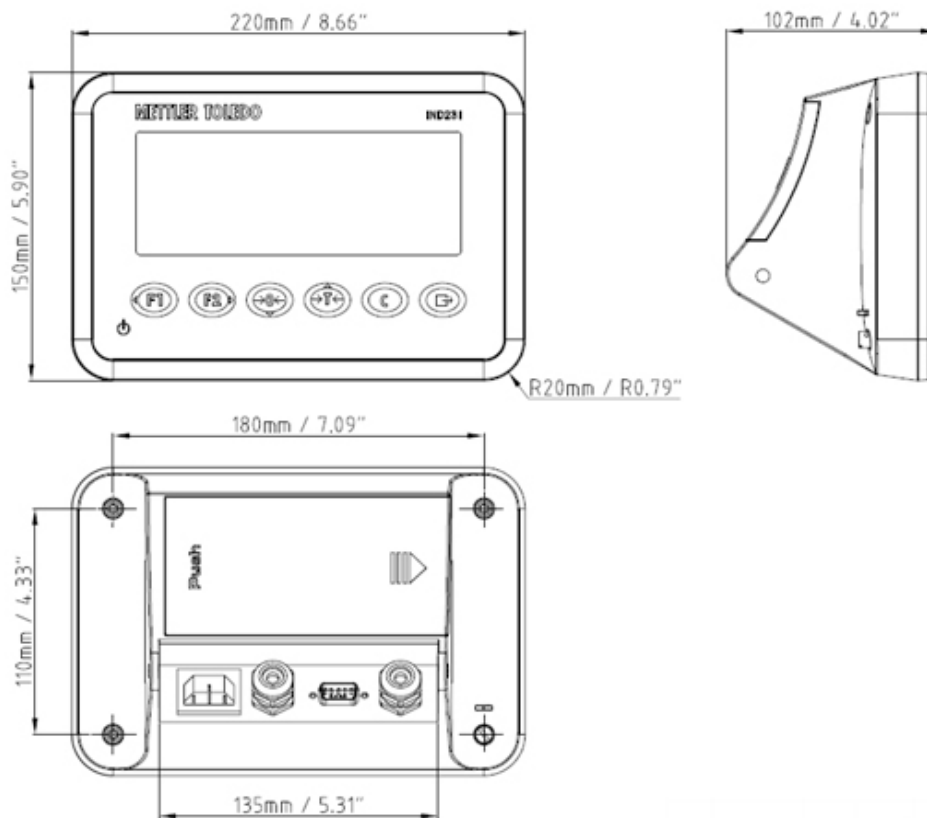


Figure 1-2 : Dimensions de l'enceinte de l'IND231

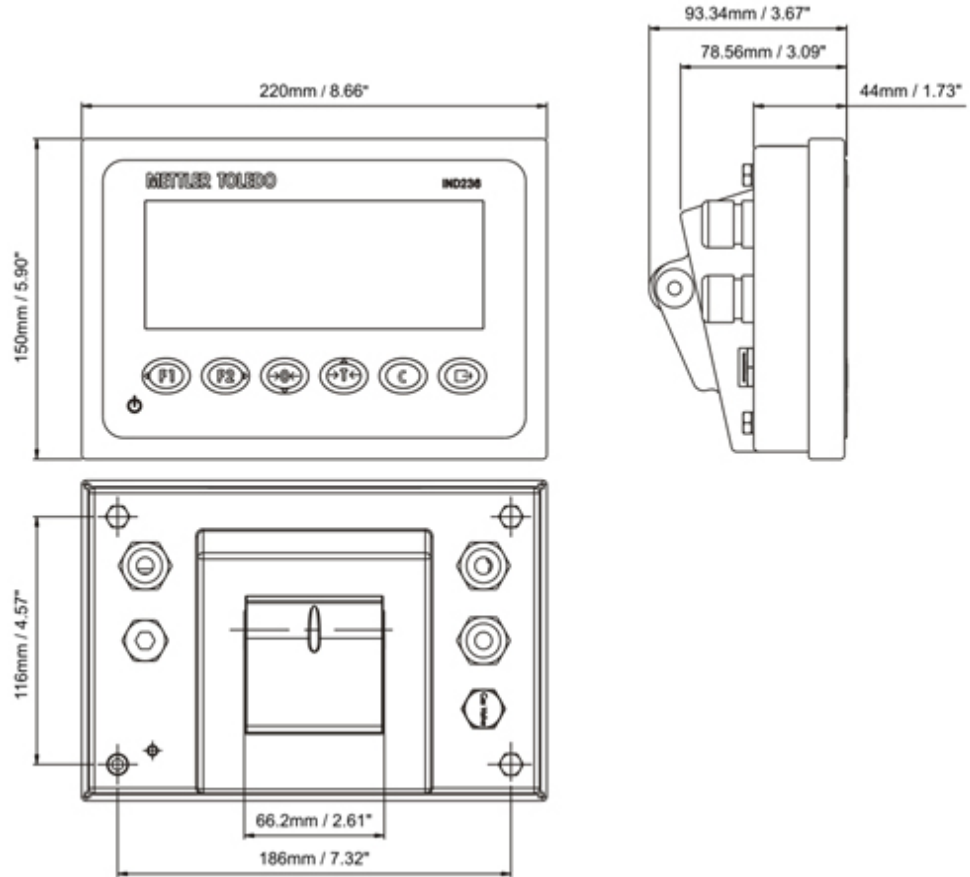


Figure 1-3 : Dimensions de l'enceinte de l'IND236

1.7. Circuit imprimé principal

Le circuit imprimé principal du terminal IND231/IND236 fournit une interface aux capteurs analogiques de la bascule ainsi que le port série COM1 RS-232. Le port série COM1 RS-232 prend en charge des communications bidirectionnelles avec une vitesse maximum de 115 200 bauds. Ce port peut être utilisé pour enregistrer les données de configuration du terminal vers un PC en utilisant l'outil InSite® SL.

La carte principale contient aussi la connexion d'entrée d'alimentation CC, l'interface d'affichage, l'interface du clavier ainsi que le port d'interface des options.

Une carte d'alimentation CA/CC alimente le terminal avec une sortie CC +12V/1A.

Une carte de charge en option est incluse avec la version alimentée par batterie rechargeable.

1.8. Bases de balances

Le terminal IND231/IND236 prend en charge les balances analogiques et fournit une tension d'excitation de 5 volts d'alimentation des capteurs analogiques. Quatre capteurs maximum de 350 Ω peuvent être alimentés par le terminal.

Une connexion aux capteurs par un câble à quatre ou à six conducteurs est fournie avec des lignes de détection afin de maintenir la précision suite aux variations de résistance du câble du capteur consécutives aux changements de température.

1.9. Options

Trois types d'interface en option peuvent être montés sur le COM2. Le brochage des connexions est imprimé sur le circuit.

Les options suivantes sont disponibles pour l'IND231 et l'IND236 :

1.9.1. Interface série isolée RS232/RS422/RS485

Ce port en option fournit des communications RS-232 et RS-422/485 qui peuvent être paramétrées lors de la configuration. Le port est bidirectionnel et peut être utilisé pour diverses fonctions comme l'impression, l'impression automatique, la sortie continue Toledo ou les communications SICS.

Le port COM2 est galvaniquement isolé pour RS-232 et RS-485 afin de fournir une protection contre les variations de tension.

La connexion RS-485 peut être utilisée uniquement en tant qu'émetteur RS-422 pour envoyer une sortie en continu vers un affichage ou un écran distant.

L'interface RS422/485 est requise pour les transmissions de données avec des taux de transmission plus élevés sur de plus grandes distances jusqu'à 500 mètres.

Les paramètres de communication peuvent être configurés dans le menu de configuration du terminal.

1.9.2. E/S discrètes

L'option d'interface E/S discrètes fournit quatre sorties de relais à contact sec. Les contacts des relais assureront une commutation jusqu'à 30 volts CC ou 250 volts CA sous 1 A.

Les deux entrées peuvent être sélectionnées par commutation comme étant actives (par commande en appuyant sur un bouton) ou comme étant passives (pour des connexions à des périphériques qui fournissent leur propre alimentation aux entrées).

1.9.3. USB

Le port USB fourni est une passerelle UART-USB pour périphériques correspondant à un port COM virtuel et est utilisé pour la communication de données série vers des périphériques comme un PC. Le port est bidirectionnel et peut être configuré pour diverses fonctions comme l'impression, l'auto

impression, la sortie continue Toledo et les communications SICS. Les claviers externes USB et les lecteurs de codes à barres ne sont pas pris en charge.

1.10. Affichage et clavier

L'IND231/IND236 utilise un affichage ACL à segments de type translectif avec un rétroéclairage blanc. La hauteur du caractère principal est de 40 mm. Le panneau avant comprenant l'affichage et le clavier est présenté sur la Figure 1-4. La seule différence entre les claviers de l'IND231 et de l'IND236 concerne le nom dans le coin supérieur droit du terminal.

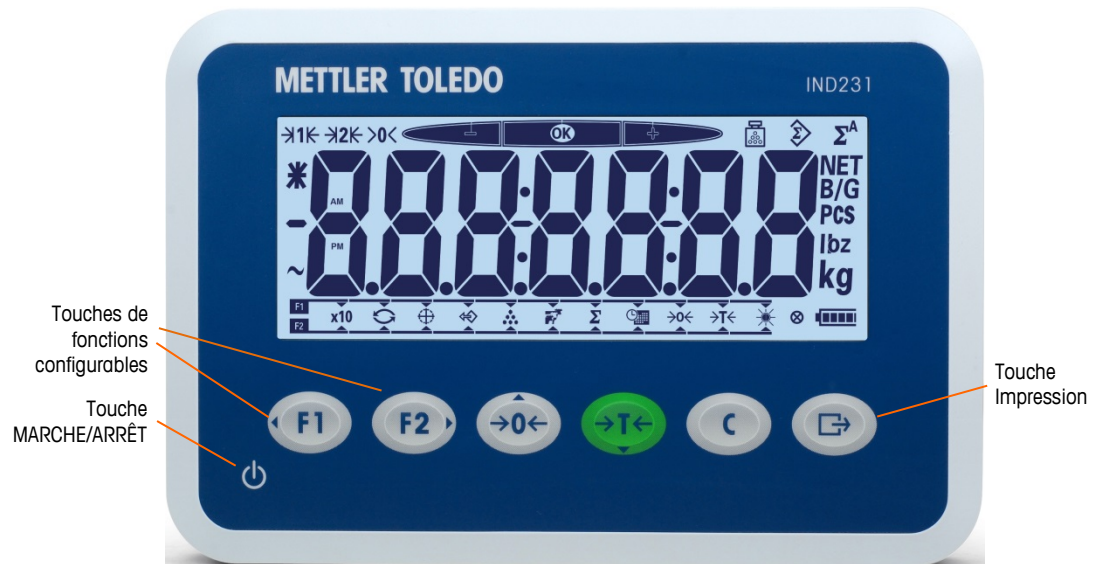


Figure 1-4 : Disposition du panneau avant de l'IND231

1.10.1. Agencement de l'affichage

En partie supérieure de l'affichage, une ligne système unique affiche l'état du terminal tel que le nombre de gammes, le centrage du zéro, l'état du pesage de contrôle, le comptage, l'accumulation et l'accumulation automatique.

Sous la ligne système se trouve le bloc d'affichage du poids. Pendant une opération normale de pesage de base, l'affichage du terminal présente le poids brut ou net dans la plus grande taille de 40 mm (1,57 po). Lorsque l'une des applications est en fonctionnement, des messages d'invite ou des caractères d'indexation de menu s'affichent aussi avec des caractères de 40 mm (1,57 po). Sur la droite de l'affichage du poids se trouve une colonne verticale présentant les symboles brut et net, le symbole de la moyenne des pièces et les unités de pesage. Les symboles étoile, moins et dynamique apparaissent dans une colonne à gauche du bloc d'affichage du poids.

En partie inférieure de l'affichage normal de base du pesage se trouve une ligne utilisée pour l'entrée des données. **F1** et **F2**. Pour le fonctionnement de l'affichage et du clavier pendant la configuration, reportez-vous au Chapitre 3 de la **Guide de l'utilisateur, Configuration**.

1.10.2. Touches du panneau avant

L'interface opérateur du terminal IND231/IND236 fournit un total de sept touches à membrane. La touche d'impression et les cinq touches de fonction de la balance (trois avec une fonction fixe, deux avec des fonctions configurables) sont positionnées sous l'affichage.

Les flèches sur les quatre premières touches indiquent leur utilisation dans la navigation du menu.

La touche MARCHE/ARRÊT se trouve en partie inférieure gauche de l'affichage. Ces touches sont utilisées pour entrer dans le menu de configuration, pour naviguer et pour sélectionner des éléments de configuration selon la description du Chapitre 2 de la **Guide de l'utilisateur, Fonctionnement**.

2 Installation

Ce chapitre se compose ainsi :

- Ouverture de l'enceinte
- Protection de l'environnement
- Installation des terminaux
- Installation des câbles et des composants
- Instructions de l'étiquette de capacité
- Fermeture de l'enceinte
- Plombage de l'enceinte

Ce chapitre fournit des instructions d'installation pour le terminal IND231/IND236. Veuillez lire intégralement ces procédures avant de commencer l'installation.

Cette section comprend des détails sur l'ouverture et le montage de l'enceinte, et explique comment y installer les câbles et les PCB. Les instructions d'étiquetage, de fermeture et de scellage de l'enceinte sont aussi fournies.

2.1. Ouverture de l'enceinte

ATTENTION

AVANT DE BRANCHER OU DE DÉBRANCHER DES COMPOSANTS ÉLECTRONIQUES INTERNES OU D'EFFECTUER DES CONNEXIONS ENTRE LES APPAREILS ÉLECTRONIQUES, DÉBRANCHEZ TOUJOURS L'ALIMENTATION ET ATTENDEZ AU MOINS TRENTE SECONDES AVANT UNE CONNEXION/DÉCONNEXION. L'INOBSERVATION DE CES CONSIGNES PEUT ENTRAÎNER UN ACCIDENT OU ENDOMMAGER, VOIRE DÉTRUIRE, L'ÉQUIPEMENT.

Le panneau avant du terminal IND231/IND236 est verrouillé en place par quatre vis qui le fixent sur le boîtier arrière de l'enceinte. Pour accéder à la carte du terminal afin d'installer les options, connectez le câblage interne et réglez les commutateurs, et séparez le panneau avant de l'enceinte de la manière suivante :

1. Pour l'IND231, utilisez un tournevis torx T-20 afin de desserrer trois des vis. Utilisez un tournevis à fente pour desserrer la vis de plombage, comme sur la Figure 2-1.



Figure 2-1 : Vis de l'IND231 (à gauche) et vis de plombage de l'IND236 (à droite)

2. Pour l'IND236, utilisez une clé à douille de 10 mm pour desserrer trois des vis. Utilisez un tournevis d'insertion à tête Allen de 5 mm pour desserrer la vis de plombage, comme sur la Figure 2-2. Veuillez noter que les vis sont imperdables et restent attachées au couvercle arrière de l'IND236.



Figure 2-2 : Ouverture des enceintes – IND231 (à gauche) et IND236 (à droite)

3. Séparez le boîtier avant du boîtier arrière comme sur la Figure 2-3.

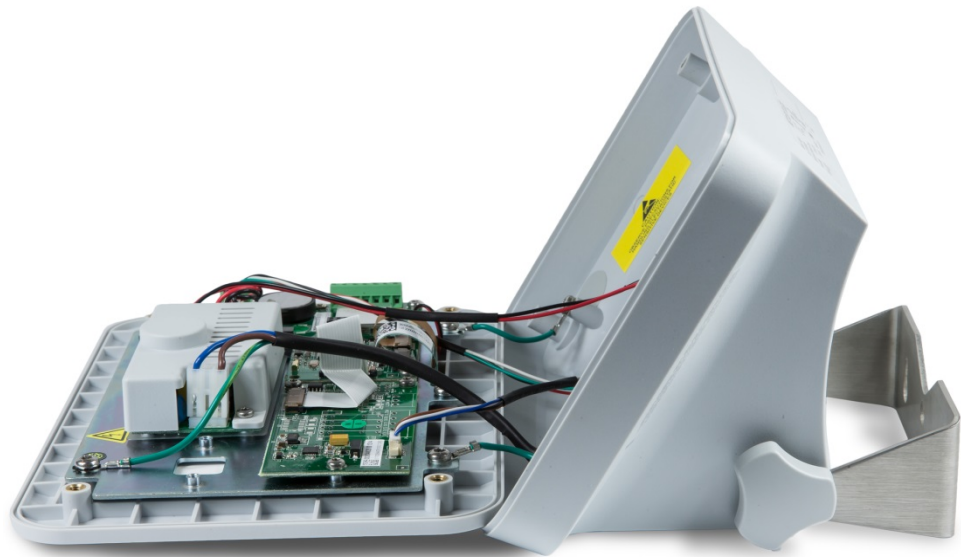


Figure 2-3 : Démontage du couvercle

2.2. Protection de l'environnement



AVERTISSEMENT

L'IND231/IND236 N'EST PAS CONÇU POUR ÊTRE UTILISÉ DANS DES ZONES CLASSIFIÉES COMME ÉTANT DANGEREUSES EN RAISON D'ATMOSPHÈRES COMBUSTIBLES OU EXPLOSIVES. N'INSTALLEZ PAS L'IND231/IND236 DANS UN ENVIRONNEMENT EXPLOSIF.

Le terminal IND231/IND236 est conçu pour une utilisation industrielle standard. L'IND231 a été testé et est conforme aux normes IP54. L'IND236 répond aux impératifs IP66/IP67.

2.3. Montage du terminal

Le terminal peut être placé sur un bureau, attaché à une surface verticale ou installé sur une colonne. Montez le terminal pour qu'il soit parfaitement visible et que son clavier soit facilement accessible.

2.3.1. Montage de l'IND231

2.3.1.1. Montage sur un bureau

L'IND231 est équipé de deux pieds en caoutchouc auto-adhérent (Figure 2-4) fixés en partie inférieure du boîtier afin d'éviter tout glissement.



Figure 2-4 : IND231 - Pieds en caoutchouc

2.3.1.2. Montage mural et montage sur colonne

Un support de montage et deux boutons de serrage sont inclus avec l'IND231. Ceux-ci peuvent être utilisés pour monter le terminal sur une colonne ou sur une surface verticale.

1. Utilisez les deux boutons de support afin de fixer les supports en partie inférieure du terminal comme sur la Figure 2-5.

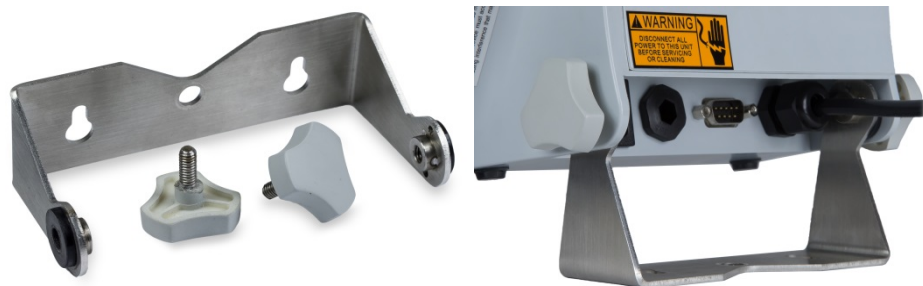


Figure 2-5 : Support et boutons de serrage

2. Le support autorise toute une gamme de réglage, comme sur la Figure 2-6.

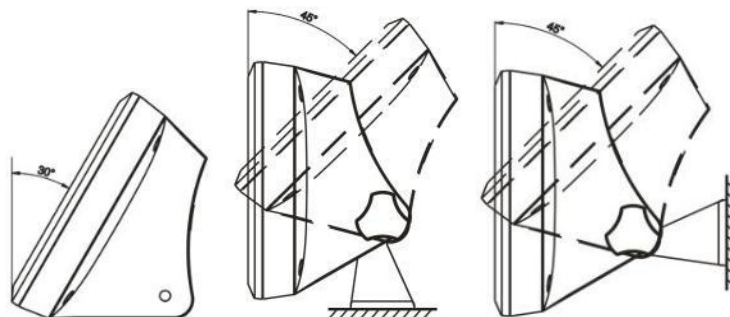


Figure 2-6 : Réglage du support pour un montage mural ou sur une colonne

3. Marquez la position des trous du support sur la surface de montage du terminal en respectant les dimensions indiquées sur la Figure 2-7, ou en le maintenant sur cette surface et en marquant les trous du support.

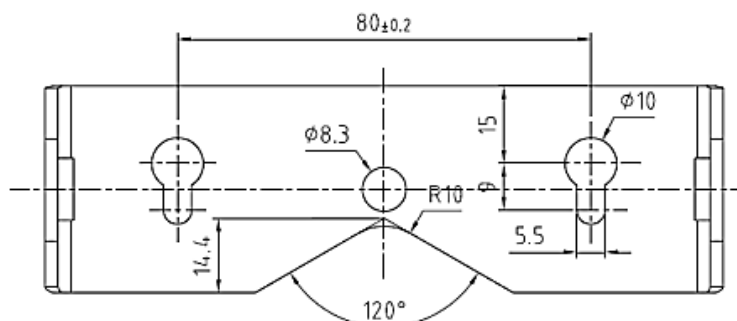


Figure 2-7 : Modèle de configuration des trous de montage des supports

4. Le matériel de montage du support du terminal n'est pas inclus avec ce dernier, vous devez vous le procurer localement. Assurez-vous que le matériel de montage est capable de supporter le poids du terminal (environ 2 kg ou 4,4 lb). Au moyen de la quincaillerie localement fournie, fixez le support du terminal sur la surface.

2.3.2. Montage de l'IND236

2.3.2.1. Montage sur un bureau

Si le terminal IND236 est monté sur une surface plane, un support de montage de bureau en option (Réf 22021070) est disponible à l'achat.

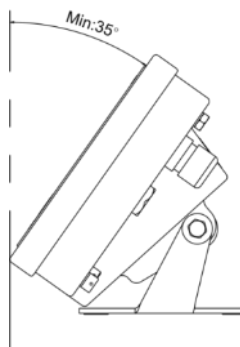


Figure 2-8 : IND236 avec support de montage pour bureau

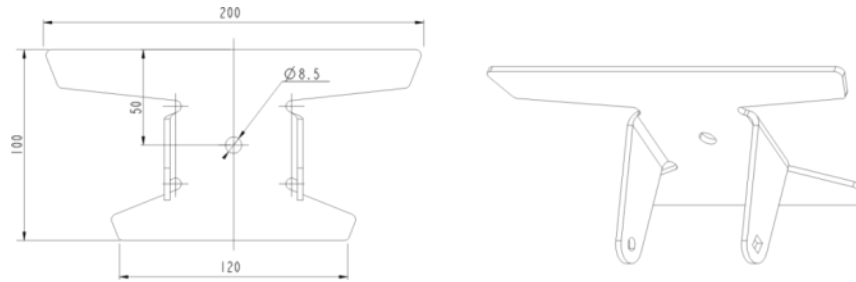


Figure 2-9 : Dimensions du support de bureau IND236

2.3.2.2. Montage mural et montage sur colonne

Un support de montage est inclus avec l'IND236. Celui-ci peut être utilisé pour monter le terminal sur une colonne ou sur une surface verticale. Le support autorise toute une gamme de réglages, comme sur la Figure 2-10.

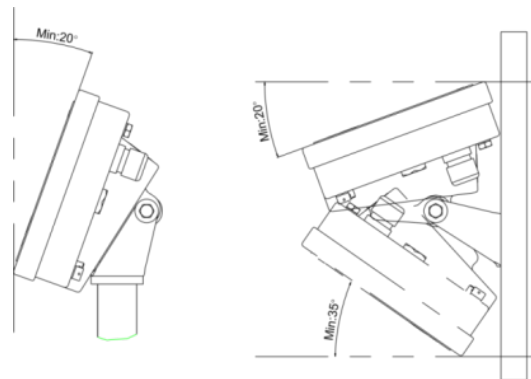


Figure 2-10 : IND236 monté sur une colonne (à gauche) et sur un mur (à droite)

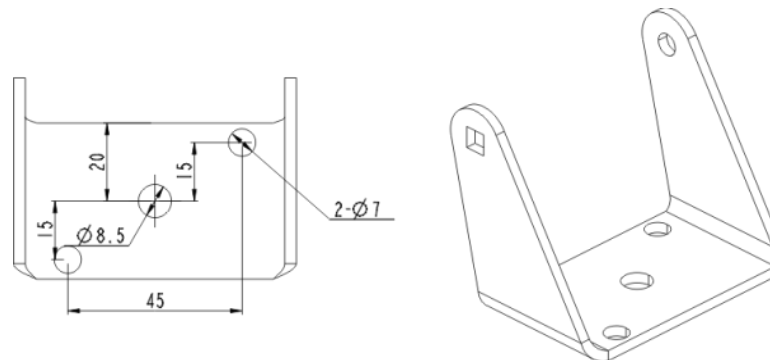


Figure 2-11 : Dimensions du support mural et sur colonne de l'IND236

2.4. Installation des câbles et des connecteurs

Cette section fournit des informations sur l'installation des câbles et des connecteurs sur le terminal IND231/IND236, notamment :

- Connecteurs et presse-étoupes
- Attribution des ouvertures de l'enceinte

- Identification de la carte
- Connexions de câblage de la carte principale
- Connexion à l'alimentation secteur
- Connexions de la carte de charges et du bloc de batteries rechargeables
- Connexion à un capteur analogique
- Connexion du port série COM1
- Connexions de câblage des options

2.4.1. Connecteurs et presse-étoupes

L'IND231 utilise une prise d'alimentation standard (IEC320 C14) et des connecteurs DSUB-9 pour les communications RS-232. Les presse-étoupes sont utilisés pour les connexions des capteurs et des options.

Le terminal IND236 est conçu pour supporter des environnements fortement humides. Vous devez néanmoins prendre des précautions lors de l'installation des câbles et/ou des connecteurs qui pénètrent l'enceinte du terminal. Pour garantir une bonne étanchéité à l'eau :

- Avant de connecter les câbles, acheminez-les à travers un presse-étoupe de dimension appropriée. La Figure 2-12 présente un presse-étoupe avec son écrou de serrage démonté.



Figure 2-12 : Presse-étoupe

- En fonction du diamètre du câble à installer, sélectionnez (Tableau 2-1) l'un des passe-fils en caoutchouc (si nécessaire) afin d'assurer une étanchéité adéquate autour du câble.

Tableau 2-1 : Dimensions du presse-étoupe, du passe-fils et du câble

Passe-fils	Diamètre du câble	
	IND231 Presse-étoupe du capteur	IND236 et presse-étoupe en option
Aucun	4 à 8 mm	5 à 10 mm
Petit passe-fils	3 à 6,5 mm	4,5 à 6,8 mm

- Lorsque vous effectuez des raccordements de câbles à l'intérieur de l'enceinte, assurez-vous que la longueur du câble entre le bornier/le connecteur et le boîtier du terminal est suffisante

pour qu'aucune traction ne soit exercée sur le connecteur lorsque le boîtier est en position totalement ouverte.

- Après avoir effectué les connexions des câbles telles que décrites dans la section suivante, assurez-vous que l'écrou sur le presse-étoupe est correctement serré autour du câble pour offrir une bonne étanchéité. Le joint doit être étanche à l'eau.

2.4.1.1. Attribution des ouvertures de l'enceinte

La Figure 2-13 présente les ouvertures de l'enceinte de l'IND231.

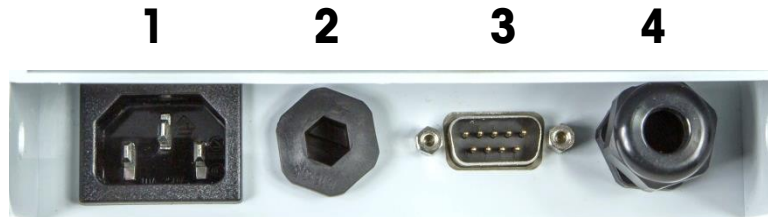


Figure 2-13 : Ouvertures de l'enceinte IND231

La Figure 2-14 présente les ouvertures de l'enceinte de l'IND236 et le Tableau 2-2 indique l'attribution de chaque ouverture.



Figure 2-14 : Ouvertures de l'enceinte IND236

Tableau 2-2 : Attributions des connecteurs et des presse-étoupes

Position	Attribution			
	Connexion standard	Connexion en option		
1	Cordon d'alimentation secteur	-		
2	Aucun (port en option)	RS-232/422/485 isolés	USB	E/S numériques
3	COM1 (RS-232)	-		
4	Câble du capteur	-		

2.4.2. Identification de la carte

Toutes les cartes du terminal IND231/IND236 sont montées sur le support PCB. La carte de connexion CA n'est nécessaire que pour l'IND236. La carte de charge n'est utilisée que pour les terminaux alimentés par un bloc de batteries rechargeables. Toutes les cartes en option se montent sur le même emplacement. La Figure 2-15 présente l'emplacement de chaque type de carte.

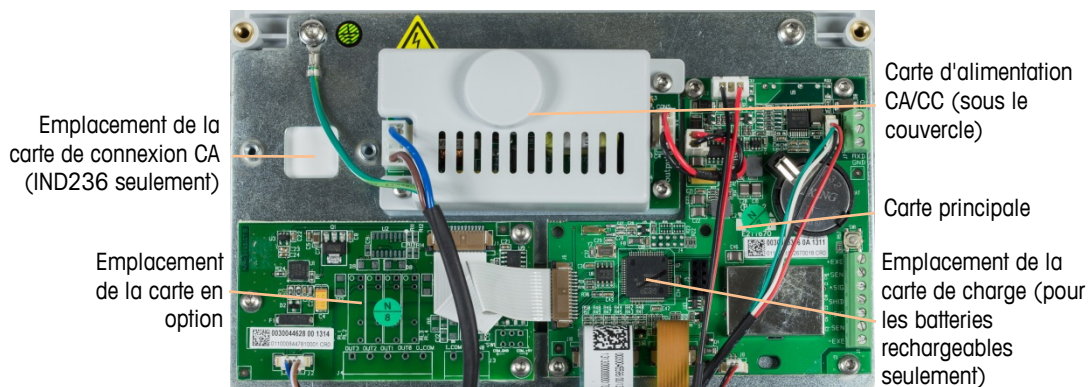


Figure 2-15 : Emplacement de la carte

2.4.3. Connexions de câblage de la carte principale

La Figure 2-16 présente l'attribution des connecteurs sur la carte principale. Assurez-vous de fixer les câbles sur le connecteur approprié.

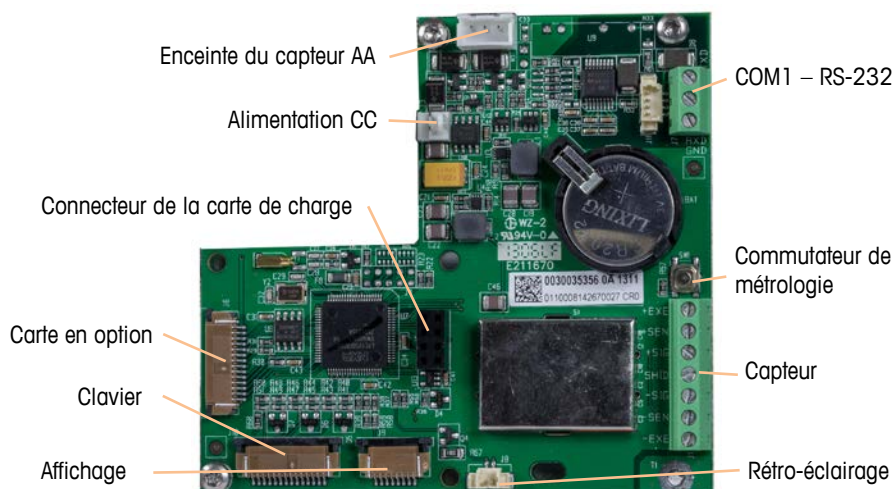


Figure 2-16 : Connexions sur la carte principale

Le commutateur de métrologie est un commutateur momentané. Lorsqu'elle est enfoncée, le terminal entre en configuration au moyen du menu F1 de configuration des paramètres de la balance sur lequel ceux-ci peuvent être configurés. Il s'agit de la seule méthode de modification des paramètres de la balance sur un terminal approuvé. Reportez-vous aux sections **Entrée du mode de configuration** et **Balance | Approbation du type** du chapitre 3 de la **Guide de l'utilisateur, Configuration**, pour de plus amples détails.

2.4.4. Connexions de l'alimentation CA

La Figure 2-17 présente une carte d'alimentation CA sans son couvercle de protection.



Figure 2-17 : Carte d'alimentation

Un cordon d'alimentation externe avec un connecteur standard (IEC320 C14) est fourni avec l'IND231.

Un cordon secteur installé en permanence alimente la version CA du terminal IND236. Le câble de masse possède un serre-câble de connexion à la masse à l'intérieur du terminal (Figure 2-18).

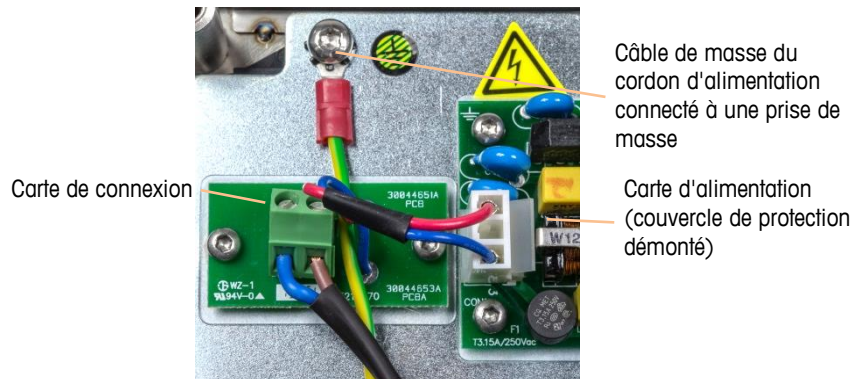
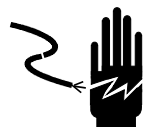


Figure 2-18 : Carte de connexion de l'alimentation CA et de mise à la masse de l'IND236

Dans l'IND236, une carte d'interface transfère l'alimentation depuis le cordon jusqu'à la carte d'alimentation (Figure 2-18).

Le terminal doit être alimenté sous 85 à 264 V CA (à 1761 mA maximum) sous une fréquence comprise entre 49 et 61 Hz. Il est équipé d'un fusible interne de 3,15 A, 250 volts.

La continuité de la masse de l'alimentation des équipements est importante pour la sécurité et pour un fonctionnement fiable du terminal et de sa base de balance associée. Une masse défectueuse peut être à l'origine d'une situation dangereuse en cas de court-circuit dans l'équipement. Une bonne masse est nécessaire afin de minimiser les impulsions électriques parasites inutiles. L'IND231/IND236 ne doit partager aucun câble d'alimentation électrique avec des équipements générant du bruit. Pour vérifier la continuité de la masse, utilisez un analyseur de circuit du commerce. En cas de problème, installez un circuit d'alimentation dédié ou un stabilisateur de tension secteur.



AVERTISSEMENT

POUR ASSURER UNE PROTECTION SANS FAILLE CONTRE LES CHOCS ÉLECTRIQUES, BRANCHEZ UNIQUEMENT DANS UNE PRISE CORRECTEMENT MISE À LA MASSE. N'ENLEVEZ PAS LA BROCHE DE MISE À LA MASSE.

2.4.5. Connexion à un capteur analogique

AVIS

POUR ÉVITER D'ENDOMMAGER LA CARTE OU LE CAPTEUR, DÉCONNECTEZ L'ALIMENTATION SUR LE TERMINAL IND231/IND236 ET ATTENDEZ AU MOINS 30 SECONDES AVANT DE CONNECTER OU DE DÉCONNECTER UN FAISCEAU DE CABLES.

Les connexions aux capteurs sont réalisées grâce aux connecteurs situés sur la carte principale, comme indiqué à la Figure 2-16.

Le terminal IND231/236 a été conçu pour alimenter jusqu'à quatre capteurs de 350 ohms (soit une résistance minimum d'environ 87 ohms). Afin de confirmer que la charge du capteur pour cette installation se trouve dans les limites, la résistance totale de la balance (TSR) doit être calculée.

$$\text{TSR} = \frac{\text{Résistance d'entrée des capteurs (Ohms)}}{\text{Nombre de capteurs}}$$

Avant de connecter les capteurs, assurez-vous que la TSR du réseau de capteurs devant être connectée au terminal IND231/IND236 possède une résistance supérieure aux valeurs minimum répertoriées ci-dessus. Si la résistance est inférieure au minimum, l'IND231/IND236 ne fonctionnera pas correctement.

De plus, la longueur maximum du câble doit être reconsidérée. Le Tableau 2-3 fournit les longueurs maximum recommandées du câble en fonction de la TSR et de son calibre.

Tableau 2-3 : Longueurs maximum des câbles recommandées

TSR (ohms)	Calibre 24 (m/pi)	Calibre 20 (m/pi)	Calibre 16 (m/pi)
350	243/800	610/2000	1219/4000
87 (4 capteurs 350 Ω)	60/200	182/600	304/1000

Le terminal IND231/IND236 est conçu pour prendre en charge les capteurs 2mV/V et 3mV/V provenant du même circuit. Aucun cavalier de sélection du niveau de sortie des capteurs n'est nécessaire.

Le Tableau 2-4 et la Figure 2-19 présentent les définitions du terminal pour la barrette des capteurs analogiques du terminal. Veuillez noter que lors de l'utilisation des capteurs à quatre conducteurs, les cavaliers doivent être placés entre les bornes +Excitation et +Détection, et entre les bornes –Excitation et –Détection.

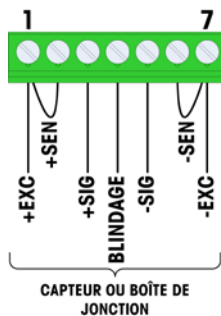
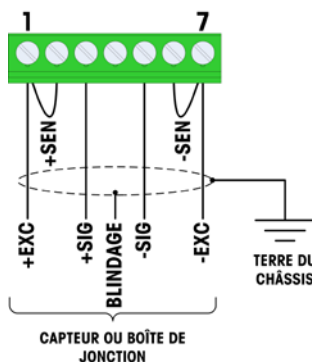
Tableau 2-4 : Brochage de la terminaison du capteur

Broche	Signal
1	+EXC
2	+SEN
3	+SIG
4	Blindage
5	-SIG
6	-SEN
7	-EXC

Capteurs à 4 conducteurs

REMARQUES

- UTILISEZ UN CÂBLE BLINDÉ À SIX CONDUCTEURS POUR UN CIRCUIT AUTONOME
- CAPTEURS UNIQUES À 4 CONDUCTEURS : CAVALIER +EXC VERS +SEN ET CAVALIER -EXC VERS -SEN SUR LES BORNES DE L'IND231/IND236
- CAPTEURS MULTIPLES À 4 CONDUCTEURS : CAVALIER +EXC VERS +SEN ET CAVALIER -EXC VERS -SEN SUR LES BORNES D'ENTRÉE DE LA BOÎTE DE JONCTION
- SECTION DU CÂBLE : 18 AWG (0,823 mm²) MAXI, 24 AWG (0,205 mm²) MINI



Capteurs à 6 conducteurs

REMARQUES

- UTILISEZ UN CÂBLE BLINDÉ À SIX CONDUCTEURS POUR UN CIRCUIT AUTONOME
- SECTION DU CÂBLE : 18 AWG (0,823 mm²) MAXI, 4 AWG (0,205 mm²) MINI

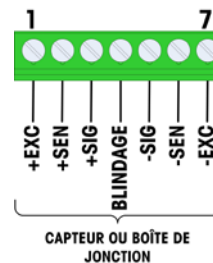
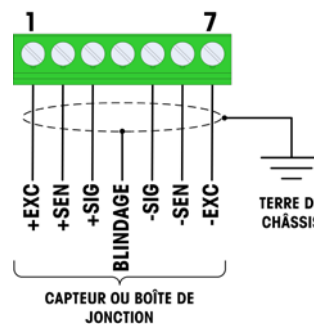


Figure 2-19 : Terminaison du capteur, Masse du châssis (en haut) et Broche de masse (en bas)

- Lors de l'utilisation d'un câble à quatre conducteurs normalisé, si une augmentation de la charge est accompagnée d'une diminution de l'affichage du poids, inversez les conducteurs de signalisation (+SIG et -SIG).

2.4.5.1. Installation d'une ferrite et du blindage d'un capteur analogique

Il existe deux méthodes de terminaison du blindage du câble d'un capteur analogique, vers la masse du châssis ou vers la broche de masse du connecteur. Les deux méthodes sont illustrées ci-dessous.

Quelle que soit la méthode, pour répondre à certaines limites d'émission de bruits électriques et pour protéger le terminal IND231/IND236 contre des influences externes, vous devez installer un tore de ferrite sur le câble du capteur connecté au terminal. Le tore de ferrite est inclus avec le terminal de base.

2.4.5.1.1. IND231 – Connexion au connecteur du capteur

Lorsque le câble du capteur étant connecté possède un conducteur relié au blindage, il peut se terminer sur la broche centrale du connecteur du capteur.

1. Le câble du capteur cheminera à l'intérieur de l'enceinte, comme indiqué à la Figure 2-20.



Figure 2-20 : Broche de masse du capteur analogique et installation de la ferrite, IND231

- Notez que le fil de blindage ne passe pas par la ferrite.
2. Positionnez la ferrite sur le câble du capteur conformément aux indications.
 3. Connectez les conducteurs du capteur au connecteur sur la carte principale. Reportez-vous au code des couleurs du câble du capteur étant connecté et à la Figure 2-19.
 4. Utilisez des serre-câbles afin de fixer les conducteurs sur la tresse de la charnière de l'enceinte.

2.4.5.1.2. IND231 – Connexion à la masse du châssis

Lorsque le câble du capteur étant connecté n'est pas équipé d'un conducteur connecté au blindage, ce dernier doit être relié à la masse du châssis en utilisant la procédure suivante.

1. Le câble du capteur pénètre dans le boîtier à travers le presse-étoupe indiqué sur la Figure 2-23.
2. Préparez le câble du capteur en dénudant le revêtement extérieur et en coupant le blindage extérieur comme sur la Figure 2-21.



Figure 2-21 : Câble du capteur avec la gaine externe dénudée et le blindage coupé

3. Repliez le blindage par-dessus le revêtement extérieur du câble.



Figure 2-22 : Câble du capteur avec le blindage replié

4. Le serre-câble de masse fourni en même temps que le terminal est utilisé pour mettre en contact le blindage exposé (Figure 2-22) avec la plaque de montage métallique en utilisant la vis de fixation de la tresse de la charnière de l'enceinte comme sur la Figure 2-23.
5. La ferrite fournie en même temps que le terminal est placée au niveau de l'extrémité du câble et des conducteurs branchés sur le connecteur du capteur. Reportez-vous au code des couleurs du câble du capteur étant connecté et à la Figure 2-19.

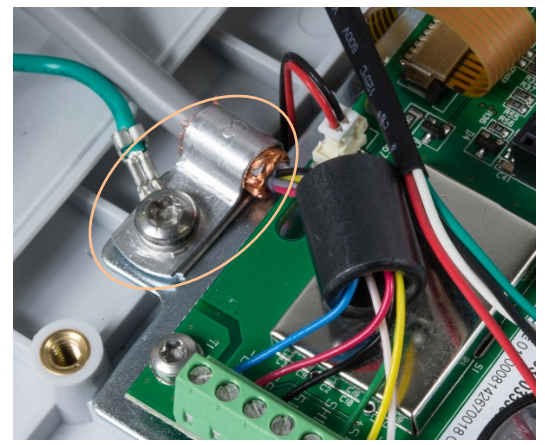
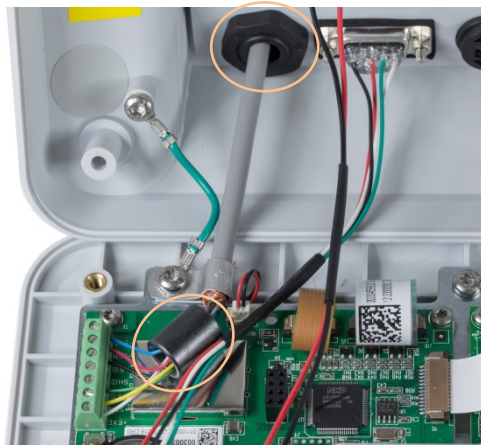


Figure 2-23 : Installation de la ferrite du câble d'un capteur analogique avec mise à la masse sur le châssis, IND231

2.4.5.1.3. IND236 – Branchement sur le connecteur du capteur

Lorsque le câble du capteur étant connecté possède un conducteur relié au blindage, il peut se terminer sur la broche centrale du connecteur du capteur.

1. Le câble du capteur cheminera à l'intérieur de l'enceinte à travers le presse-étoupe selon la Figure 2-24.



Figure 2-24 : Broche de masse du capteur analogique et installation de la ferrite, IND236

- Notez que le fil de blindage ne passe pas par la ferrite.
2. Positionnez la ferrite autour de l'extrémité du câble du capteur et fixez les conducteurs au connecteur de la carte principale. Reportez-vous au code des couleurs du câble du capteur étant connecté et à la Figure 2-19.
 3. Utilisez les deux serre-câbles afin de réunir le câble du capteur avec la tresse de la charnière de l'enceinte.

2.4.5.1.4. IND236 – Connexion à la masse du châssis

Lorsque le câble du capteur étant connecté n'est pas équipé d'un conducteur connecté au blindage, ce dernier doit être relié à la masse du châssis en utilisant la procédure suivante.

1. Le câble du capteur est dirigé dans l'enceinte à travers le presse-étoupe indiqué sur la Figure 2-27.
2. Préparez le câble du capteur en dénudant le revêtement extérieur et en coupant le blindage extérieur comme sur la Figure 2-25.



Figure 2-25 : Câble du capteur avec la gaine externe dénudée et le blindage coupé

3. Repliez le blindage par-dessus le revêtement extérieur du câble.



Figure 2-26 : Câble du capteur avec le blindage replié

4. Positionnez le serre-câble de mise à la masse fourni en même temps que le terminal par-dessus le blindage exposé (reportez-vous à la Figure 2-26).

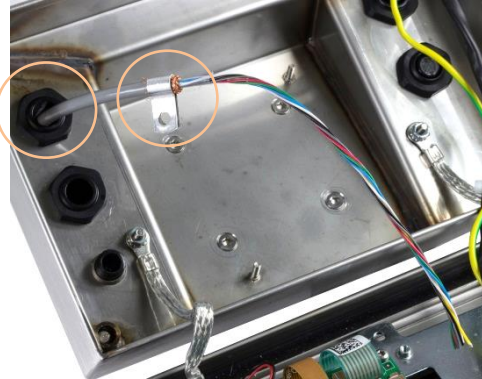


Figure 2-27 : Câble du capteur pénétrant dans l'enceinte de l'IND236 avec le serre-câble de mise à la masse sur le châssis

5. Connectez le serre-câble de mise à la masse à l'enceinte en utilisant la vis de fixation de la tresse de charnière, comme sur la Figure 2-28 (à gauche).

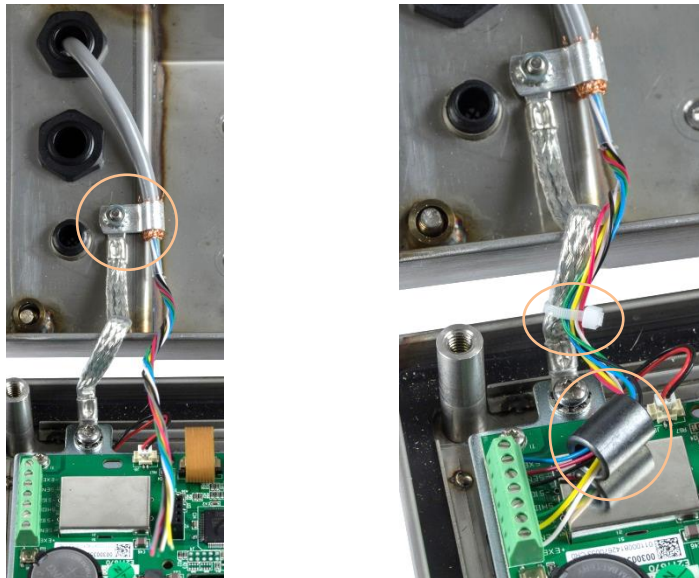


Figure 2-28 : Installation de la ferrite du câble d'un capteur analogique avec mise à la masse sur le châssis, IND236

6. Positionnez la ferrite sur le câble du capteur conformément aux indications.

7. Fixez les conducteurs du capteur au connecteur sur la carte principale. Reportez-vous au code des couleurs du câble du capteur étant connecté et à la Figure 2-19.
8. Utilisez des serre-câbles afin de fixer les conducteurs sur la tresse de la charnière de l'enceinte.

2.4.6. Connexion du port série COM1

Le port COM1 (REF) fournit une connexion RS-232 à des dispositifs externes série. La Figure 2-29 et le Tableau 2-5 indiquent le terminal transportant un signal donné sur le port COM1 (DSUB-9) de l'IND231.

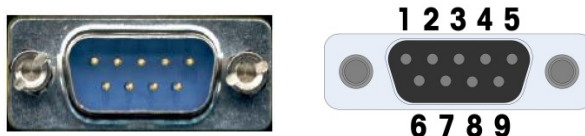


Figure 2-29 : Port COM1 IND231

Tableau 2-5 : Signaux du port COM1 de l'IND231

Terminal	Signal	
Broche 2	RxD	RéceptionRS-232
Broche 3	TxD	TransmissionRS-232
Broche 5	Masse	Masse logique

- Dans l'IND236, le connecteur RS-232 se trouve sur la carte principale (reportez-vous à la Figure 2-16). Le câble de communication pénètre dans l'enceinte à travers un presse-étoupe (reportez-vous à la Figure 2-14) et se connecte au port COM1 de la carte principale.

Un exemple de connexion RS-232 vers un équipement extérieur est présenté sur la Figure 2-30. Réalisez les connexions en fonction du besoin.

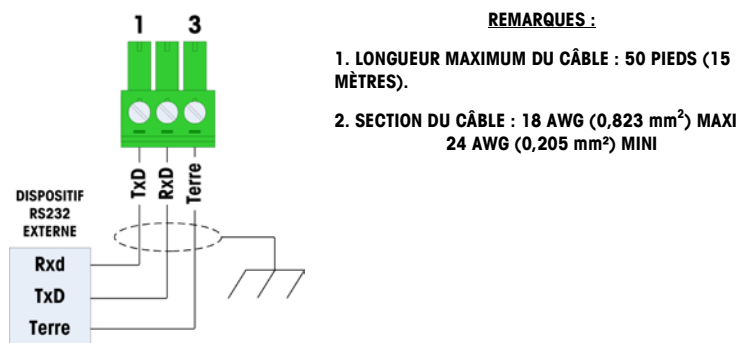


Figure 2-30 : Exemples de connexions COM1 de l'IND236

2.4.7. Connexions de câblage des options

Les options de l'IND231/IND236 qui nécessitent une connexion externe sont les suivantes :

- COM2 avec RS-232/422/485 isolés

- Interface USB
- Interface E/S discrètes

2.4.7.1. COM2 avec RS-232/422/485 isolés en option

COM2 avec la carte en option RS-232/422/485 (Figure 2-31) fournit un port série unique isolé.

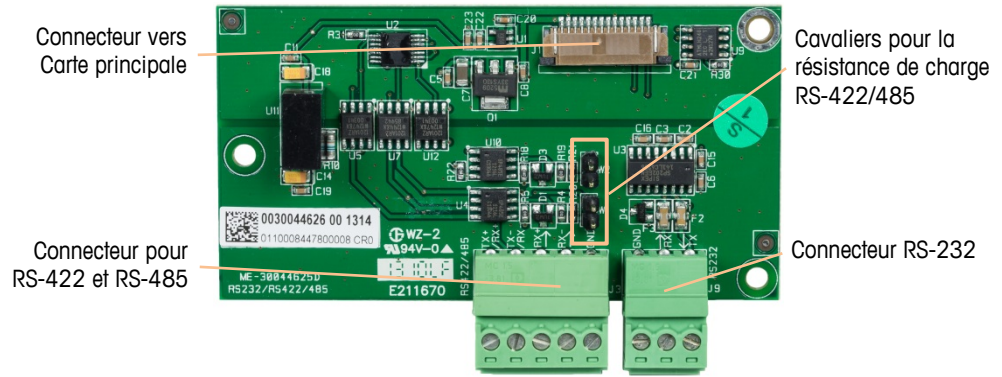


Figure 2-31 : COM2 avec RS-232/422/485

Le port COM2 offre des connexions RS-232, RS-422 et RS-485. La connexion matérielle doit être configurée dans la section Communication de la structure du menu de configuration reportez-vous au Chapitre 3 de la **Guide de l'utilisateur, Configuration**. La Figure 2-33 et le Tableau 2-6 présentent le détail des connexions.

Les cavaliers sur la carte (W1 et W2, indiqués sur la Figure 2-31) sont ouverts par défaut. Ils permettent la connexion d'une résistance de charge de 120 ohms pour les signaux RS-422 et RS-485 A/B. S'il s'avère nécessaire d'activer la résistance de charge, raccourcissez les cavaliers comme sur la Figure 2-32.

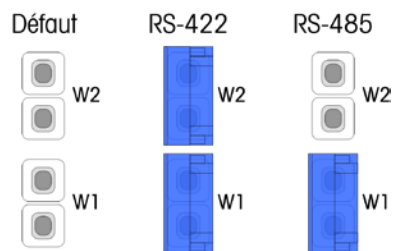


Figure 2-32 : Positions du cavalier COM2

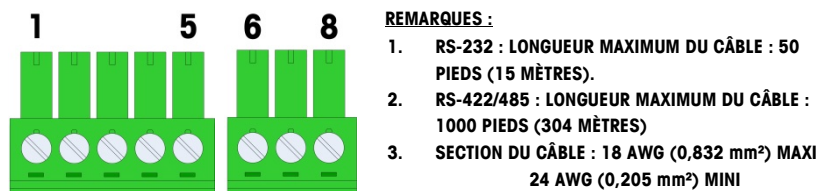


Figure 2-33 : Signaux du port COM2

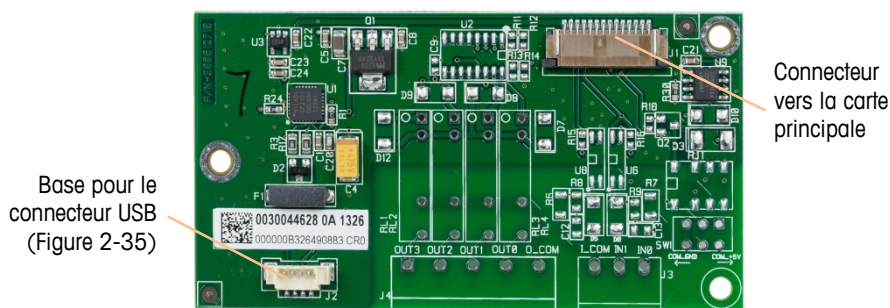
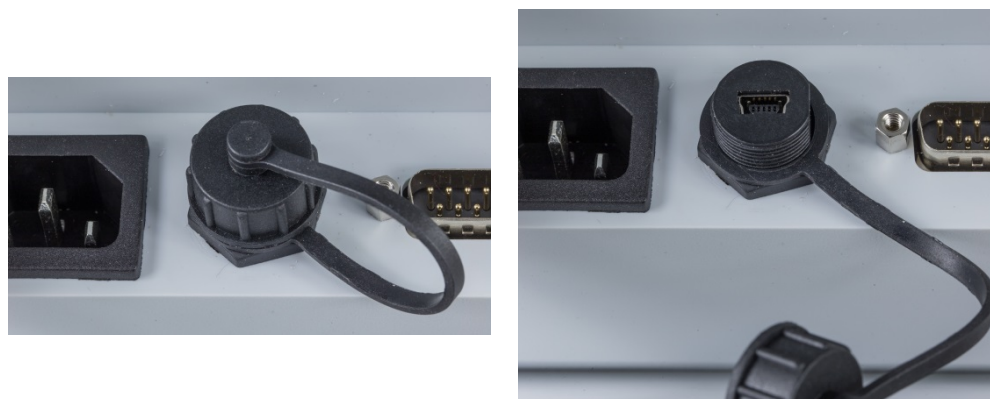
Tableau 2-6: Brochage du port série isolé

Terminal	Signaux	Description
Broche 1	TX/RX+	Données A RS-485 ou transmission RS-422 des données A
Broche 2	TX/RX-	Données B RS-485 ou transmission RS-422 des données B
Broche 3	RX+	Réception RS-422 des données A
Broche 4	RX-	Réception RS-422 des données B
Broche 5	MASSE	Masse logique pour RS-422/485
Broche 6	MASSE	Masse logique pour RS-232
Broche 7	RX	Réception RS-232
Broche 8	TX	Transmission RS-232

2.4.7.2. Option pour périphérique USB

Cette carte optionnelle fournit un port de connexion mini-USB unique de type B, présenté sur la Figure 2-35. Le port mini-USB correspond à une interface de type périphérique (non hôte) et fonctionne comme un port série. Un câble mini-USB externe correspondant de type B est nécessaire lors de la connexion sur ce port.

Le port est équipé d'une protection vissable lorsqu'il n'est pas utilisé.

**Figure 2-34 : Carte USB en option****Figure 2-35 : Protection et connecteur mini-USB**

2.4.7.3. Options E/S discrètes

Cette carte en option fournit deux entrées isolées et quatre sorties de relais normalement ouvertes à contacts secs. Les entrées peuvent être sélectionnées comme actives ou passives en fonction de la position du commutateur indiquée sur la Figure 2-36.



Figure 2-36 : Carte E/S discrètes en option

2.4.7.3.1. Commutateur E/S discrètes

Un commutateur sur la carte E/S discrètes permet de sélectionner les entrées qui seront actives ou passives. Assurez-vous que le commutateur est correctement réglé avant de procéder au câblage vers les entrées. L'emplacement du commutateur et le positionnement actif/passif sont présentés sur la Figure 2-37.

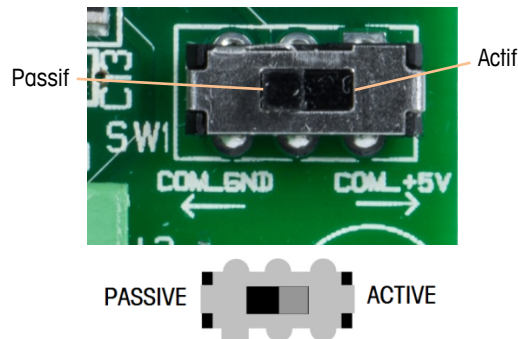
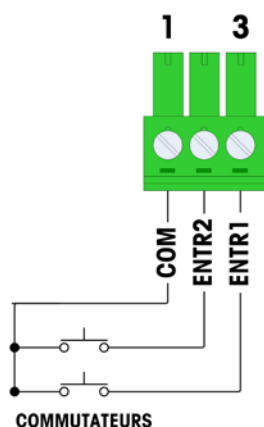


Figure 2-37 : Commutateur E/S discrètes

2.4.7.3.2. Entrée active

La sélection des entrées comme actives permet la connexion de commutateurs ou d'autres périphériques simples de déclenchement d'une entrée. Aucune tension n'est fournie par le périphérique simple externe.

Un exemple de câblage vers les entrées actives est illustré sur la Figure 2-38.

**REMARQUES :**

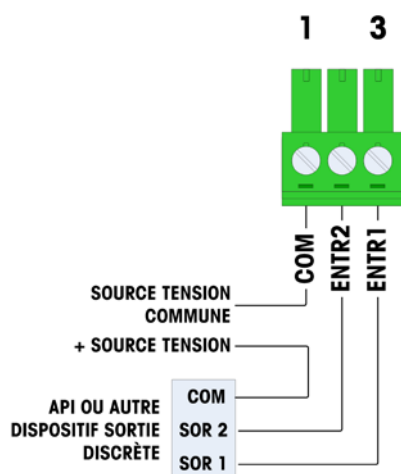
1. LA TENSION EST À UN NIVEAU LOGIQUE DE 5 V CC. CONTACTS À FAIBLE RÉSISTANCE RECOMMANDÉS. LONGUEUR MAXIMUM DU CÂBLE : 20 PIEDS (SIX MÈTRES).
2. NE REGROUPEZ PAS LE CÂBLAGE D'ENTRÉE AVEC CELUI D'ALIMENTATION NI AVEC AUCUN AUTRE CÂBLE ÉLECTRIQUE.
3. LES COMMUTATEURS PEUVENT ÊTRE REMPLACÉS PAR DES CONTACTS DE RELAIS À SEC.
4. SECTION DU CÂBLE : 18 AWG (0,832 mm²) MAXI
24 AWG (0,205 mm²) MINI

Figure 2-38 : Connexions vers une entrée active

2.4.7.3.3. Entrée passive

La sélection des entrées comme passives permet à d'autres périphériques tels que des PLC de fournir une tension de déclenchement (généralement 12 V CC ou 24 V CC, maximum 30 V CC) pour « activer » les entrées de l'IND231/236.

Un exemple de câblage vers les entrées passives avec +V sur le commun est présenté sur la Figure 2-39.

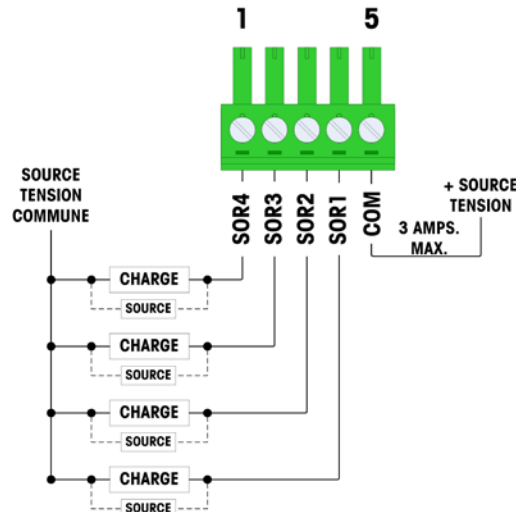
**REMARQUES :**

1. TENSION : 5 à 30 V CC, COURANT MAXIMUM 10 mA. LA POLARITÉ DE LA TENSION NE PEUT PAS ÊTRE INVERSÉE.
2. NE REGROUPEZ PAS LE CÂBLAGE D'ENTRÉE AVEC CELUI D'ALIMENTATION NI AVEC AUCUN AUTRE CÂBLE ÉLECTRIQUE.
3. SECTION DU CÂBLE :
18 AWG (0,832 mm²) MAXI
24 AWG (0,205 mm²) MINI

Figure 2-39 : Connexions vers une entrée passive

2.4.7.3.4. Sorties du relais

Les sorties du relais peuvent prendre en charge des tensions de 250 V CA ou 30 V CC sous 1 A maximum. Les sorties du relais ne sont pas affectées par la polarité dans la mesure où il s'agit de sorties à contact sec. Un exemple de câblage vers les sorties est présenté sur la Figure 2-40.



REMARQUES :

1. RELAIS À CONTACT SEC.
2. CLASSIFICATION DES CONTACTS DU RELAIS :
 CA : 24 à 250 V CA, 1 A DANS UNE CHARGE RÉÉSISTIVE.
 CC : 5 à 30 V CC, 1 A DANS UNE CHARGE RÉÉSISTIVE.
 ALIMENTATION À DÉCOUPAGE MAXIMUM : 250 VA, 30 W.
3. COURANT CIRCUIT SORTIE MAXIMUM = 3 A
4. TOUTES LES CHARGES INDUCTIVES DOIVENT ÊTRE SUPPRIMÉES.
5. SECTION DU CÂBLE :
 18 AWG (0,832 mm²) MAXI
 24 AWG (0,205 mm²) MINI

Figure 2-40 : Sorties du relais

2.5. Instructions de l'étiquette de capacité

Les règlements sur certains lieux imposent que la capacité et l'incrément de la balance soient affichés à l'avant du terminal, près de l'affichage. Pour satisfaire à ces conditions, une étiquette de capacité bleue est incluse avec le terminal ; elle doit être remplie et apposée à l'avant de la réglette d'affichage.

L'étiquette de capacité (présentée sur la Figure 2-41) fournit l'espace nécessaire aux informations maxi, mini et e pour chaque gamme correspondant à la programmation de la balance. La partie non employée de l'étiquette peut être découpée avec des ciseaux. Les informations écrites doivent être lisibles avec une hauteur minimum de 2 mm ou 0,08 po. Utilisez un marqueur permanent pour inscrire ces informations.

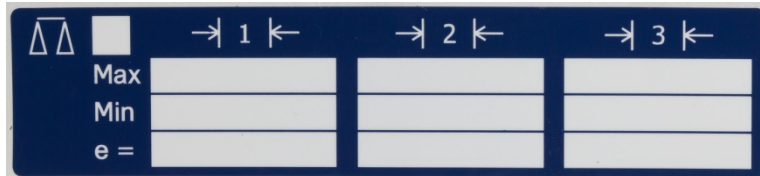


Figure 2-41 : Étiquette de capacité

Nettoyez les traces d'huiles ou d'autres contaminants sur la zone où l'étiquette de capacité sera apposée. Détachez la pellicule protectrice de l'étiquette avant de l'apposer sur la réglette près de l'affichage ou sur un autre endroit acceptable par les règlements locaux.

2.6. Fermeture de l'enceinte

Une fois toutes les opérations accomplies à l'intérieur du terminal, l'enceinte doit être refermée. Serrez les vis afin de fixer le couvercle en place reportez-vous à Ouverture de l'enceinte en page A-1.

2.6.1. Spécifications de serrage des fixations de l'enceinte

Les fixations de l'enceinte doivent être serrées selon les spécifications suivantes :

IND231 : 1,5 Nm

IND236 : 5,5 Nm

2.7. Plombage de l'enceinte

Lorsque le terminal IND231/IND236 est utilisé dans une application métrologiquement « approuvée », il doit être protégé contre les altérations par un plomb. Les enceintes utilisent seulement un plombage de sécurité à fil, livré avec le terminal.

Ce qui suit doit être vrai pour que le terminal soit plombé :

- La base d'une balance doit être connectée au terminal à travers le presse-étoupe du capteur, le boîtier de l'enceinte et avec les presse-étoupes correctement serrés.
- Le plombage doit empêcher l'accès au terminal et au support contenant les données d'étalonnage.
- Le plombage doit empêcher l'accès à la configuration de toutes les fonctions métrologiques significatives.

Pour des détails sur le plombage du terminal IND231/IND236, reportez-vous à la Figure 2-42 et suivez ces étapes :

1. Assurez-vous que la région d'approbation appropriée a été sélectionnée lors de la configuration sous **F1.1.2 Approbation**.
2. Le panneau avant étant installé sur l'enceinte et les vis de fixations serrées, introduisez l'extrémité libre du fil du plomb à travers la vis de plombage de l'IND231/IND236 et à travers l'orifice du système de plombage sur l'enceinte (Figure 2-42).



Figure 2-42 : Installation du plomb sur l'IND231 (à gauche) et sur l'IND236 (à droite)

3. Introduisez l'extrémité du fil à travers l'orifice dans la partie en plastique du plomb (Figure 2-43, à gauche), éliminez le mou sur le fil et refermez le système de plombage (Figure 2-43, à droite). Coupez le fil en excès.



Figure 2-43 : Fermeture du plombage

IND231/IND236

Terminale di pesata



METTLER TOLEDO

IND231/IND236

Terminale di pesata

METTLER TOLEDO Service

Manutenzione necessario per prestazioni affidabili

Grazie per aver scelto la qualità e la precisione di METTLER TOLEDO. Utilizzando questo nuovo dispositivo in modo appropriato, nel rispetto delle istruzioni del manuale e della regolazione e della manutenzione regolare offerti dal nostro team di assistenza addestrato in fabbrica, il funzionamento rimarrà affidabile e preciso, proteggendo l'investimento. Non esiti a contattarci per un contratto di servizio personalizzato per le sue esigenze e il suo budget. Ulteriori informazioni sono reperibili sul sito Web www.mt.com/service.

I metodi che consentono di massimizzare le prestazioni dell'investimento sono svariati:

1. **Registri il prodotto:** la invitiamo a registrare il prodotto sul sito www.mt.com/productregistration e sarà contattato in caso di miglioramenti, aggiornamenti e notifiche importanti.
2. **Per assistenza contatti METTLER TOLEDO:** il valore della misurazione è proporzionale alla sua precisione – una bilancia non regolata può diminuire la qualità, ridurre i profitti e aumentare la responsabilità Assistenza tempestiva da parte di METTLER TOLEDO garantisce precisione, ottimizzano il funzionamento e la durata del dispositivo.
 - a. **Installazione, configurazione, integrazione e addestramento:** I nostri addetti all'assistenza sono esperti addestrati in fabbrica sui dispositivi di pesatura. Ci accertiamo che il dispositivo di pesatura sia pronto per la produzione, tempestivamente e in modo conveniente e che il personale sia opportunamente addestrato.
 - b. **Documentazione della regolazione iniziale:** I requisiti ambientali e applicativi di installazione sono unici per ogni bilancia industriale e le prestazioni devono essere testate e certificate. I nostri servizi di calibrazione e l'accuratezza dei documenti certificati garantiscono la qualità di produzione e un sistema di qualità con record delle prestazioni.
 - c. **Manutenzione periodica di regolazione:** Il contratto del Servizio di regolazione offre una garanzia costante nel processo di pesatura e la documentazione di conformità ai requisiti. Offriamo una serie di piani di assistenza programmati per soddisfare le esigenze e determinati in base al budget.

© METTLER TOLEDO 2013

Nessuna parte di questo manuale può essere riprodotta o trasmessa in alcuna forma o mediante alcun mezzo, elettronico o meccanico, incluse fotocopie o registrazione, per nessuno scopo senza espresso consenso scritto della METTLER TOLEDO.

Diritti limitati del governo USA: questa documentazione è fornita con diritti limitati.

Copyright 2013 METTLER TOLEDO. Questa documentazione contiene informazioni proprietarie della METTLER TOLEDO. Non può essere copiata interamente o in parte senza il consenso scritto della METTLER TOLEDO.

La METTLER TOLEDO si riserva il diritto di apportare miglioramenti o modifiche al prodotto o al manuale senza preavviso.

COPYRIGHT

METTLER TOLEDO® è un marchio registrato di Mettler-Toledo, LLC. Tutti gli altri marchi o nomi di prodotto sono marchi delle rispettive società.

LA METTLER TOLEDO SI RISERVA IL DIRITTO DI APPORTARE MIGLIORAMENTI O MODIFICHE SENZA PREAVVISO

Avviso su FCC

Questo dispositivo è conforme alla Parte 15 delle norme FCC e ai requisiti di interferenza radio del Canadian Department of Communications. Il funzionamento è soggetto alle seguenti condizioni: (1) questo dispositivo potrebbe non causare interferenze dannose e (2) deve accettare qualunque interferenza, incluse quelle che potrebbero causare effetti indesiderati.

Questa apparecchiatura è stata collaudata e ritenuta conforme ai limiti per un dispositivo digitale di Classe A, in conformità con la Parte 15 delle norme FCC. Questi limiti sono previsti per fornire una protezione adeguata contro le interferenze dannose quando l'apparecchiatura viene azionata in un ambiente commerciale. Quest'apparecchiatura genera, utilizza e può irradiare energia in radiofrequenza e, se non viene installata e utilizzata in conformità con il manuale di istruzioni, potrebbe causare interferenze dannose con le comunicazioni radio. Il funzionamento di quest'apparecchiatura in un'area residenziale potrebbe causare interferenze dannose, nel qual caso all'utente sarà richiesto di correggere le interferenze a sue spese.

- La dichiarazione di conformità si trova nel CD di documentazione.

Dichiarazione di conformità RoHS

La maggior parte dei nostri prodotti rientrano nelle categorie 8 e 9. Queste categorie non rientrano attualmente nell'ambito della Direttiva 2002/95/EG (RoHS) del 27 gennaio 2003. Se i nostri prodotti sono intesi per essere utilizzati con altri prodotti che rientrano nell'ambito della direttiva RoHS, è necessario negoziare contrattualmente in sede separata i requisiti di conformità.

I prodotti che rientrano nelle categorie 1-7 e 10 saranno conformi con la direttiva RoHS europea non posteriore al 1 luglio 2006.

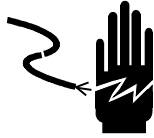
Se non è possibile sostituire per motivi tecnici le sostanze non conformi al RoHS in uno dei prodotti, secondo quanto richiesto, intendiamo informare i clienti in modo tempestivo.

Indicazione relativa alle sostanze dannose

Non adoperiamo direttamente materiali dannosi, come ad esempio amianto, sostanze radioattive o composti a base di arsenico. Comunque, acquistiamo i componenti da parti terze e possono contenere alcune di queste sostanze in quantità molto ridotte.

Precauzioni

- PRIMA di utilizzare o sottoporre a manutenzione questa apparecchiatura, LEGGERE questo manuale e SEGUIRE attentamente le istruzioni.
- CONSERVARE questo manuale per utilizzo futuro.



AVVERTENZA

PER UNA PROTEZIONE CONTINUA CONTRO IL RISCHIO DI SCOSSE ELETTRICHE, COLLEGARE LA VERSIONE CA DEL TERMINALE IND231/IND236 SOLO A UNA PRESA CORRETTAMENTE MESSA A TERRA. NON RIMUOVERE IL POLO DI TERRA.



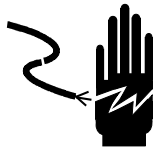
AVVERTENZA

LA MANUTENZIONE DEL TERMINALE DEVE ESSERE ESEGUITA SOLO DA PERSONALE QUALIFICATO. PRESTARE LA MASSIMA ATTENZIONE DURANTE L'ESECUZIONE DI CONTROLLI, PROVE E REGOLAZIONI QUANDO IL DISPOSITIVO È ACCESO. IL MANCATO RISPETTO DI QUESTE PRECAUZIONI POTREBBE CAUSARE DANNI A PERSONE E/O COSE.



AVVERTENZA

NON UTILIZZARE L'IND231/IND236 ALL'INTERNO DI AREE A RISCHIO, A CAUSA DI ATMOSFERE COMBUSTIBILI O ESPLOSIVE. NON INSTALLARE UN IND231/IND236 IN ATMOSFERE ESPLOSIVE.



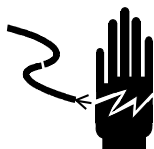
AVVERTENZA

QUANDO QUESTA APPARECCHIATURA VIENE INCLUSA COME PARTE COMPONENTE DI UN SISTEMA, È NECESSARIO FAR ESAMINARE IL PROGETTO RISULTANTE DA PERSONALE QUALIFICATO CHE CONOSCA LA STRUTTURA E IL FUNZIONAMENTO DI TUTTI I COMPONENTI NEL SISTEMA E I POTENZIALI RISCHI RELATIVI. IL MANCATO RISPETTO DI QUESTA PRECAUZIONE POTREBBE COMPORTARE DANNI ALLA PROPRIETÀ E/O LESIONI CORPOREE.



ATTENZIONE

IN CASO DI UTILIZZO NON CONSONO, LA BATTERIA Ni-MH UTILIZZATA IN QUESTO DISPOSITIVO POTREBBE COSTITUIRE UN RISCHIO DI INCENDIO O INCENDIO CHIMICO. NON SCHIACCIARE, SMONTARE, SURRISCALDARE OLTRE I 60 °C O INCENERIRE. SOSTITUIRE LA BATTERIA ESCLUSIVAMENTE CON 30044650. L'UTILIZZO DI UN'ALTRA BATTERIA POTREBBE CAUSARE USTIONI, INCENDI O ESPLOSIONI.



ATTENZIONE

FARE ATTENZIONE DURANTE IL TEST DELLA BATTERIA. UN'ELEVATA QUANTITÀ DI CARICA POTREBBE ESSERE ACCUMULATA NELLA BATTERIA.



ATTENZIONE

SMALTIRE PRONTAMENTE LE BATTERIE USATE. TENERLE LONTANO DALLA PORTATA DEI BAMBINI. NON SMONTARLE E NON SMALTIRLE NEL FUOCO.



ATTENZIONE

PRIMA DI COLLEGARE/SCOLLEGARE QUALUNQUE COMPONENTE ELETTRONICO O CAVO DI INTERCONNESSIONE CON L'APPARECCHIATURA ELETTRONICA, DISCONNETTERE SEMPRE L'ALIMENTAZIONE E, PRIMA DI EFFETTUARE QUALUNQUE COLLEGAMENTO/SCOLLEGAMENTO, ATTENDERE ALMENO TRENTA (30) SECONDI. IL MANCATO RISPETTO DI QUESTE PRECAUZIONI POTREBBE COMPORTARE DANNI O DISTRUZIONE DELL'APPARECCHIATURA E/O LESIONI PERSONALI.

AVVISO

NON TENTARE DI CARICARE LA BATTERIA SE LA TEMPERATURA DELLA BATTERIA È INFERIORE A 0°C (32°F). IL CARICAMENTO NON È AMMESSO A QUESTA TEMPERATURA O A UNA TEMPERATURA INFERIORE. NON UTILIZZARE IL CARICATORE BATTERIA AL DI FUORI DEL SUO INTERVALLO DI TEMPERATURA DA 0°C (32°F) A 40°C (104°F).

AVVISO

ONDE EVITARE DANNI ALLA CELLA DI CARICO O ALLA SCHEDA, RIMUOVERE L'ALIMENTAZIONE DAL TERMINALE IND231/IND236 E ATTENDERE ALMENO 30 SECONDI PRIMA DI COLLEGARE O SCOLLEGARE QUALUNQUE CABLAGGIO.



AVVISO

RISPETTARE LE PRECAUZIONI PER LA GESTIONE DEI DISPOSITIVI SENSIBILI ALLE CARICHE ELETTROSTATICHE.

Normative per lo smaltimento sicuro



In conformità alla Direttiva Europea 2002/96/CE sullo smaltimento delle apparecchiature elettriche ed elettroniche (WEEE, Waste Electrical and Electronic Equipment), l'apparecchiatura non deve essere smaltita assieme ad altri rifiuti domestici. La direttiva è applicabile anche a paesi non facenti parte dell'Unione Europea, in base ai requisiti specifici del paese di appartenenza.

Il prodotto deve essere smaltito in base a quanto stabilito dalle normative locali presso il punto di raccolta specifico per apparecchiature elettriche ed elettroniche.

Per eventuali domande, contattare l'autorità responsabile o il distributore da cui è stato acquistato l'apparecchio.

Qualora l'apparecchio venga trasferito a terzi (per uso privato o professionale), il contenuto della presente normativa deve ritenersi valido anche per terzi.

Grazie per il contributo alla salvaguardia dell'ambiente.

Indice

1	Introduzione	1-1
1.1.	Panoramica IND231/IND236	1-1
1.1.1.	Funzioni standard	1-1
1.1.2.	Tipi di terminale IND231/IND236.....	1-2
1.2.	Utilizzo in ambienti a rischio	1-2
1.3.	Specifiche tecniche.....	1-2
1.4.	Identificazione del modello.....	1-4
1.5.	Ispezione e lista di controllo dei contenuti	1-5
1.6.	Dimensioni fisiche	1-5
1.7.	PCB principale.....	1-6
1.8.	Basi della bilancia	1-6
1.9.	Opzioni.....	1-7
1.9.1.	Interfaccia seriale isolata RS232/RS422/RS485	1-7
1.9.2.	I/O discreto	1-7
1.9.3.	USB	1-7
1.10.	Display e tastiera	1-7
1.10.1.	Struttura display	1-8
1.10.2.	Tasti del pannello frontale	1-8
2	Installazione	2-1
2.1.	Apertura della scocca	2-1
2.2.	Protezione ambientale	2-2
2.3.	Montaggio del terminale	2-3
2.3.1.	Montaggio IND231.....	2-3
2.3.2.	Montaggio IND236.....	2-4
2.4.	Installazione dei cavi e dei connettori	2-5
2.4.1.	Connettori e passacavi.....	2-6
2.4.2.	Identificazione PCB.....	2-7
2.4.3.	Principali connessioni di cablaggio della scheda.....	2-8
2.4.4.	Collegamento dell'alimentazione CA.....	2-9
2.4.5.	Collegamento per cella di carico analogica	2-10
2.4.6.	Connessioni della porta seriale COM1	2-16
2.4.7.	Connessioni di cablaggio per le opzioni	2-16
2.5.	Istruzioni per l'etichetta di capacità.....	2-21
2.6.	Chiusura della scocca	2-22
2.6.1.	Coppia di serraggio per i fermi della scocca.....	2-22
2.7.	Sigillatura della scocca	2-22

1 Introduzione

Gli argomenti di questo capitolo:

- Panoramica IND231/IND236
- Utilizzo in ambienti a rischio
- Specifiche tecniche
- Identificazione del modello
- Ispezione e lista di controllo dei contenuti
- Dimensioni fisiche
- PCB principale
- Basi della bilancia
- Opzioni
- Display e tastiera

Il terminale industriale IND231/IND236 costituisce una soluzione compatta e flessibile per numerose esigenze di pesatura. Disponibile con alimentazione CA per applicazioni fisse o con alimentazione a batteria per applicazioni portatili, questo terminale è adatto in qualunque tipo di ambiente industriale.

Sono supportate celle di carico da 2 mV/V e 3 mV/V, senza necessità di modificare la configurazione. L'IND231/IND236 garantisce dati di misurazione di precisione, dai grammi ai chilogrammi in un solo conveniente pacchetto.

Le applicazioni standard includono pesa generica, pesa di animali, sopra/sotto portata, conteggio parti e accumulazione. I modelli di stampa per specifiche applicazioni predefinite, compreso data e ora, forniscono la trasmissione delle informazioni sulla transazione di pesatura alle stampanti e applicazioni software per PC.

1.1. Panoramica IND231/IND236

1.1.1. Funzioni standard

- Design maneggevole con scocca in plastica per l'IND231 e robusta scocca in acciaio inossidabile per l'IND236
- Supporta una piattaforma con cella di carico analogica con fino a quattro celle di carico da 350 Ω
- Può essere utilizzato come un display remoto per mostrare il peso da un terminale principale separato
- Ampio display LCD a sette segmenti con retroilluminazione bianca e simboli grafici per un'ottima leggibilità in tutte le condizioni di luce
- Alimentata con 85–264 V CA o batteria interna
- Una porta seriale standard (COM1) per comunicazione asincrona e bidirezionale
- Supporto per una delle seguenti schede opzionali:
 - Interfaccia COM2 RS232 isolata elettricamente, RS422 e RS485
 - Presa USB per connessione al PC
 - Interfaccia I/O discreto
- Il pannello anteriore consente l'accesso, tramite tasti, alle funzioni di pesatura di base quali l'azzeramento, la tara, l'eliminazione, una funzione configurabile e la stampa
- Unità di misura principale selezionabile incluso grammi, chilogrammi, libbre e once

- Unità di misura secondaria selezionabile incluso grammi, chilogrammi, libbre e once
- Backup e ripristino delle impostazioni di configurazione e calibratura, mediante lo strumento InSite® SL
- Spegnimento automatico e timeout di retroilluminazione per risparmiare energia e aumentare la durata della batteria quando si utilizza la versione alimentata a batteria

1.1.2. Tipi di terminale IND231/IND236

Il terminale è disponibile nelle quattro versioni seguenti:

- IND231 con scocca in plastica, alimentazione CA (anche per l'uso con pile alcaline AA)
- IND231 con scocca in plastica, alimentazione a batteria ricaricabile Ni-MH
- IND236 con scocca in acciaio inossidabile, alimentazione CA
- IND236 con scocca in acciaio inossidabile, alimentazione a batteria ricaricabile Ni-MH

1.2. Utilizzo in ambienti a rischio



AVVERTENZA

NON UTILIZZARE IL TERMINALE IND231/IND236 ALL'INTERNO DI AREE A RISCHIO, A CAUSA DI ATMOSFERE COMBUSTIBILI O ESPLOSIVE. PER INFORMAZIONI SULLE APPLICAZIONI PERICOLOSE, CONTATTARE UN RAPPRESENTANTE METTLER TOLEDO AUTORIZZATO.

1.3. Specifiche tecniche

I terminali IND231 e IND236 sono conformi alle specifiche tecniche elencate nella Tabella 1.1.

Tabella 1-1: Specifiche del terminale

Specifiche tecniche	IND231	IND236
Tipo di copertura	Plastica, configurabile per montaggio su banco o a colonna/parete	Acciaio inossidabile, configurabile per montaggio su banco o a colonna/parete
Dimensioni prodotto (l x a x p)	220 mm x 150 mm x 102 mm (8,66 poll. x 5,90 poll. x 4,02 poll.)	220 mm x 150 mm x 93,3 mm (8,66 poll. x 5,90 poll. x 4,02 poll.)
Dimensioni spedizione (l x a x p)	350 mm x 220 mm x 195 mm (13,78 poll. x 8,66 poll. x 7,68 poll.)	
Peso prodotto	Versione CA: 1,2 kg (2,6 libbre) Versione a batteria: 1,5 kg (0,3 libbre)	Versione CA: 2,2 kg (4,9 libbre) Versione a batteria: 2,5 kg (5,5 libbre)
Peso di spedizione	2,0 kg	3,0 kg

Specifiche tecniche	IND231	IND236
Protezione ambientale	IP54	IP66/67
Ambiente operativo	Intervallo temperatura operativa: da -10 °C a +40 °C Intervallo temperatura di conservazione: da -20 °C a +60 °C Umidità relativa: 10-95%, senza condensa.	
Aree a rischio	Non è possibile far funzionare il terminale all'interno di aree classificate come pericolose a causa di atmosfere combustibili o esplosive in tali aree. Per informazioni sulle applicazioni pericolose, contattare un rappresentante METTLER TOLEDO autorizzato.	
Alimentazione	Versione CA: Opera a 85-264 VCA, 49-61 Hz, e include un cavo di alimentazione per il paese in cui viene utilizzato.	
	Versione a batteria: Sei batterie alcaline "AA" o pacco batteria ricaricabile NiMH (circa 120 ore per una cella di carico)	Versione a batteria: Batteria ricaricabile NiMH (circa 120 ore per una cella di carico)
Display	altezza carattere 40 mm, schermo LCD a sette segmenti da sette cifre con retroilluminazione bianca per visualizzazione del peso, unità di pesatura, indicazione del lordo/netto e simboli grafici per il movimento, il centro di zero e applicazioni variabile	
Visualizzazione peso	Risoluzione massima visualizzata 30.000 divisioni	
Tipi di bilancia	Celle di carico analogiche	
Numero di celle	Fino a quattro celle di carico da 350 Ohm (2 o 3 mV/V)	
Numero di bilance	Uno	
Frequenza di aggiornamento digitale/analogica	Analogica interna: 80 Hz	
Tensione di eccitazione della cella di carico	5 VCC	
Sensibilità minima	0,5 µV/e	
Tastierino	Sette tasti: Azzera, Tara, Cancella, On/Off, Stampa, F1 e F2 (configurabile)	
Opzione di comunicazione	<p>Interfacce seriali</p> <p>Standard: una porta seriale (COM1) RS232, da 1.200 a 115.200 baud</p> <p>Porta seriale isolata opzionale: (COM2) RS-232/422/485, da 1.200 a 115.200 baud</p> <p>Interfaccia I/O digitale</p> <p>Porta I/O digitale opzionale: 2 ingressi/4 uscite</p> <p>Interfaccia USB</p> <p>Porta USB opzionale:</p> <p>Protocollo</p> <p>Ingressi seriali: comandi ASCII per CTPZ (cancellazione, tara, stampa, zero), SICS (molti comandi di livello 0 e livello 1)</p>	

Specifiche tecniche	IND231	IND236
Applicazione	Zero, Tara, Stampa, X10, Data e Ora, pesa generica, pesa di animali, Conteggio con miglioramento APW, Sovra/sotto portata con database da 10 record, Accumulazione, Display remoto	
Omologazioni	Pesì e misure, USA: NTEP Classe III/IIIL - 10,000d; Cert. #13-049, Canada: Classe III - 10.000d; Classe IIIHD - 20.000d, Europa: Classe III, 2 x 3000e e 6000e; TC8351, T5976 OIML: Classe III, 2 x 3000e e 6000e; R76/2006-NL1-13.06 Sicurezza del prodotto: UL, cUL, CE	
Accessori	Staffa di montaggio su parete/colonna; supporto da banco.	

1.4. Identificazione del modello

Il numero di modello, numero di fabbrica e numero di serie dell'IND231/IND236 si trovano sulla piastra dei dati del terminale. Per verificare la configurazione del terminale IND231/IND236 quando lascia la fabbrica METTLER TOLEDO, fare riferimento alla Figura 1-1.

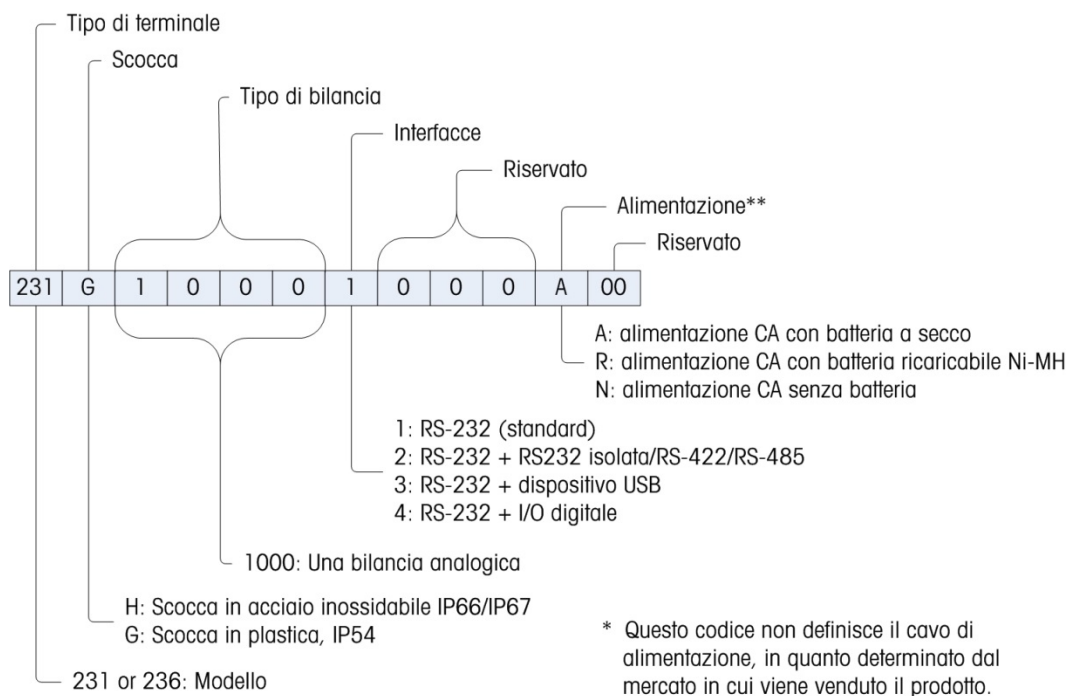


Figura 1-1: Grafico di configurazione IND231

1.5. Ispezione e lista di controllo dei contenuti

Al momento della consegna, verificare il contenuto e ispezionare la confezione. Se il contenitore di spedizione è danneggiato, verificare che non vi siano danni interni e, se necessario, presentare una richiesta di risarcimento al trasportatore. Se il contenitore non è danneggiato, rimuovere il terminale dalla confezione protettiva, facendo attenzione a com'è stata confezionata e ispezionare ogni componente per rilevare eventuali danni.

Se è necessario l'invio del terminale, è meglio utilizzare il contenitore di spedizione originale. Per garantire un trasporto sicuro, è necessario confezionare il terminale in maniera appropriata.

La confezione deve includere:

- Terminale IND231 e IND236
- Manuale di installazione (o Istruzioni di sicurezza)
- Cavo di alimentazione
- Borsa contenente varie parti
- Manuale per l'utente (o supporto CD)
- Pacco batterie (solo versione a batteria)
- Staffe di montaggio (1)

1.6. Dimensioni fisiche

Le dimensioni fisiche della scocca del modello IND231/IND236 sono mostrate in Figura 12 e in Figura 1-3 in mm e [pollici].

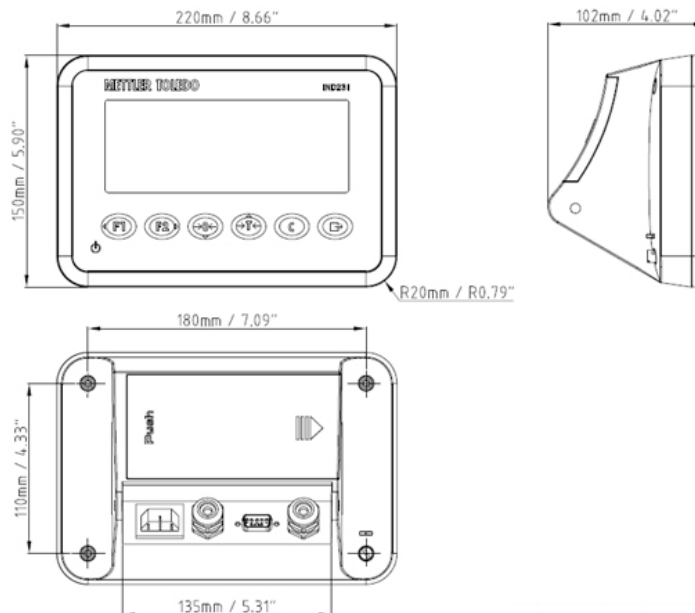


Figura 1-2: Dimensioni della scocca IND231

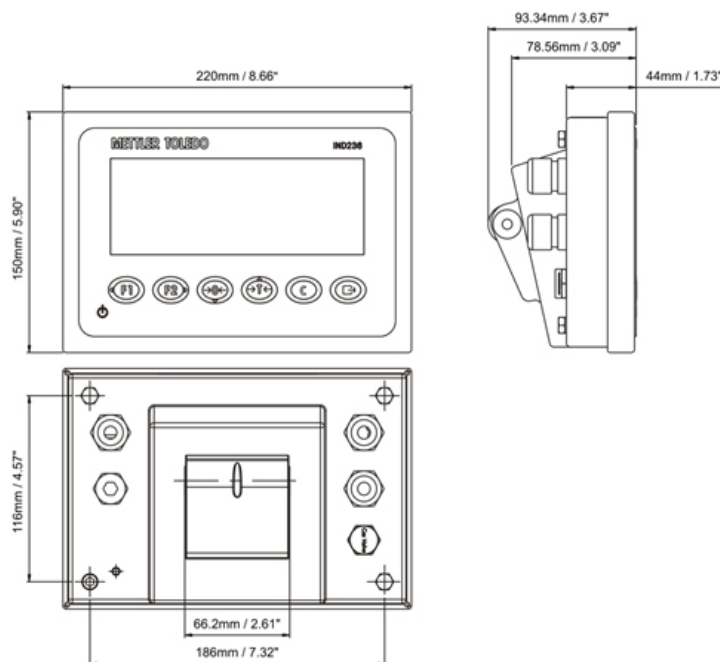


Figura 1-3: Dimensioni della scocca IND236

1.7. PCB principale

La scheda a circuito stampato principale (PCB) del terminale IND231/IND236 fornisce l'interfaccia della bilancia per cella di carico analogica e la porta seriale COM1 RS-232. La porta seriale COM1 RS-232 supporta le comunicazioni bidirezionali fino alla velocità di 115200 bps. La porta può essere usata per il salvataggio dei dati di configurazione su un PC mediante lo strumento InSite® SL.

La scheda principale contiene anche le connessioni di ingresso dell'alimentazione CC, del display, dell'interfaccia della tastiera e della porta di interfaccia per le opzioni.

Una scheda di alimentazione CA/CC fornisce un'uscita CC +12 V / 1 A per il terminale.

Una scheda di carica opzionale è inclusa nella versione alimentata con batteria ricaricabile.

1.8. Basi della bilancia

I terminali IND231/IND236 supportano le basi per bilance analogiche, fornendo un'eccitazione di 5 V per alimentare le celle di carico analogiche. Il terminale può alimentare fino a quattro celle di carico da 350 Ω.

È prevista una connessione per cella di carico a quattro o sei cavi, con linee di rilevamento per contribuire a mantenere la precisione, in quanto la resistenza del cavo delle celle di carico varia in funzione della temperatura.

1.9. Opzioni

Sulla COM2 è possibile montare tre tipi di interfaccia opzione. Le specifiche dei pin di connessione sono stampate sulla PCB.

Per IND231/IND236 sono disponibili le seguenti opzioni:

1.9.1. Interfaccia seriale isolata RS232/RS422/RS485

Questa porta opzionale consente le comunicazioni RS-232 e RS-422/485 che è possibile configurare in configurazione. La porta è bidirezionale e può essere usata per diverse funzioni come la stampa, stampa automatica, uscita continua Toledo o comunicazioni SICS.

La porta COM2 è isolata galvanicamente per RS-232 e RS-485, per proteggere dai sovraccarichi.

Il collegamento RS-485 può essere utilizzato solo come trasmissione RS-422, durante l'invio di un'uscita continua a una scheda di punteggio o a un display remoto.

L'interfaccia RS422/485 è necessaria per la trasmissione dei dati con velocità di trasmissione più elevata su distanze maggiori, fino a 500 m.

Le impostazioni di comunicazione possono essere configurate nel menu di configurazione del terminale.

1.9.2. I/O discreto

L'opzione interfaccia I/O discreta fornisce quattro uscite di relè a contatti asciutti. I contatti del relè azioneranno fino a 30 volt CC o 250 volt CA a 1 A.

I due ingressi sono selezionabili mediante interruttore come attivi (per controllo a pulsante semplice) o come passivi (per connessione a dispositivi che forniscono l'alimentazione per l'ingresso).

1.9.3. USB

La porta USB è un ponte hardware UART-USB che agisce come porta COM virtuale, ed è utilizzata per la comunicazione dei dati seriali ai dispositivi come un PC. La porta è bidirezionale e può essere configurata per diverse funzioni come la stampa, stampa automatica, uscita continua Toledo o comunicazioni SICS. Tastiere esterne USB e lettori di codici a barre non sono supportati.

1.10. Display e tastiera

Il terminale IND231/IND236 utilizza un display LCD transflettivo a segmenti con retroilluminazione bianca. L'altezza del carattere principale è 40 mm. Il pannello anteriore, che comprende il display e la tastiera, è raffigurato in Figura 14. L'unica differenza sulla tastiera tra IND231 e IND236 è il nome sull'angolo in alto a destra del terminale.

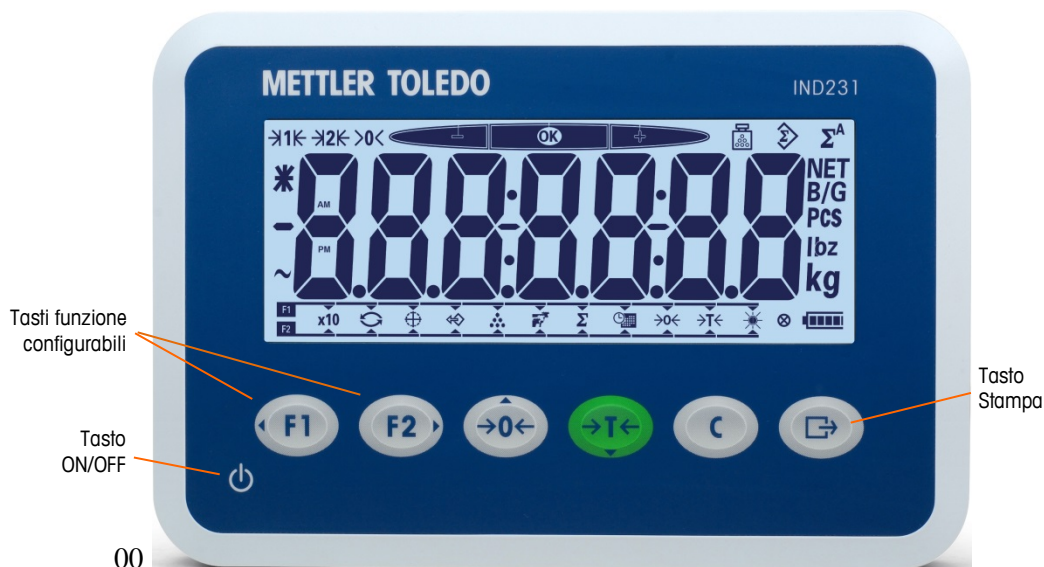


Figura 1-4: Pannello anteriore IND331

1.10.1. Struttura display

Sulla parte superiore del display, una linea singola di sistema mostra lo stato del terminale come numero dell'intervallo, centro dello zero, stato di controllo del peso, conteggio, accumulazione e accumulazione automatica.

Sotto la linea di sistema si trova il blocco di visualizzazione del peso. Durante le operazioni di pesa normale, il display del terminale mostra il peso lordo o netto con caratteri grandi, di 40 mm (1,57 poll.). Quando una delle applicazioni è in esecuzione, anche i messaggi di richiesta o i caratteri dell'indice del menu sono visualizzati con altezza di 40 mm (1,57 poll.). Alla destra della visualizzazione del peso, una colonna riporta in verticale i simboli del peso lordo e netto, il simbolo del peso medio per pezzo, e le unità di peso. Il simbolo a forma di stella, il simbolo meno e il simbolo pesa dinamica vengono visualizzati in una colonna a sinistra del blocco di visualizzazione del peso.

Sulla parte inferiore del display di pesa normale di base è presente un blocco utilizzato per assegnare le funzioni a **F1** e **F2**. Per il funzionamento del display e della tastiera durante la configurazione, fare riferimento al Capitolo 3 della **Guida dell'utente, Configurazione**.

1.10.2. Tasti del pannello frontale

L'interfaccia operatore del terminale IND231/IND236 dispone di un totale di sette tasti a membrana. Il tasto di stampa e i cinque tasti funzione della bilancia (tre per le funzioni fisse e due per le funzioni configurabili) sono posizionati sotto il display.

Le frecce sui primi quattro tasti ne indicano l'utilizzo per la navigazione nei menu.

Il tasto ON/OFF si trova sulla parte inferiore sinistra del display. Questi tasti sono utilizzati per accedere al menu di configurazione, per navigare e selezionare le voci di configurazione, secondo quanto descritto nel Capitolo 2 della **Guida dell'utente, Funzionamento**.

2 Installazione

Gli argomenti del Capitolo

- Apertura della scocca
- Protezione ambientale
- Montaggio del terminale
- Installazione dei cavi e collegamenti
- Istruzioni per l'etichetta di capacità
- Chiusura della scocca
- Sigillatura dell'armadietto

Il presente capitolo fornisce le istruzioni di installazione per il terminale IND231/IND236. Prima di iniziare l'installazione, leggere attentamente queste procedure.

Questa sezione comprende i dettagli relativi all'apertura e al montaggio della scocca, e fornisce spiegazioni sull'installazione dei cavi e PCB. Sono fornite anche istruzioni per etichettare, chiudere e sigillare la scocca.

2.1. Apertura della scocca

ATTENZIONE

PRIMA DI COLLEGARE/SCOLLEGARE QUALUNQUE COMPONENTE ELETTRONICO O CAVO DI INTERCONNESSIONE CON L'APPARECCHIATURA ELETTRONICA, DISCONNETTERE SEMPRE L'ALIMENTAZIONE E, PRIMA DI EFFETTUARE QUALUNQUE COLLEGAMENTO/SCOLLEGAMENTO, ATTENDERE ALMENO TRENTA (30) SECONDI. IL MANCATO RISPETTO DI QUESTE PRECAUZIONI POTREBBE COMPORTARE DANNI O DISTRUZIONE DELL'APPARECCHIATURA E/O LESIONI PERSONALI.

Il pannello anteriore del terminale IND231/IND236 è fissato in posizione mediante quattro viti che lo fissano sull'alloggiamento posteriore della scocca. Per accedere al PCB del terminale per installare le opzioni, effettuare il collegamento del cablaggio interno e impostare gli interruttori, separare il pannello anteriore dalla scocca nel modo seguente:

1. Per IND231, usare un giravite torx T-20 per allentare tre delle quattro viti. Usare un giravite a lama piatta per allentare la vite del sigillo, come illustrato in Figura 2-1.



Figura 2-1: Viti IND231 (a sinistra) e viti di sigillo IND236 (a destra)

- Per IND236, usare un giravite torx T-10 per allentare tre delle quattro viti. Usare un inserto a brugola da 5 mm sul giravite per allentare la vite di sigillo, indicata in Figura 2-2. Si noti che le viti sono di tipo prigioniera e restano fissate al coperchio posteriore dell'IND236.



Figura 2-2: Aperture delle scocche – IND231 (a sinistra) e IND236 (a destra)

- Separare l'alloggiamento anteriore da quello posteriore, come mostrato in Figura 2-3.

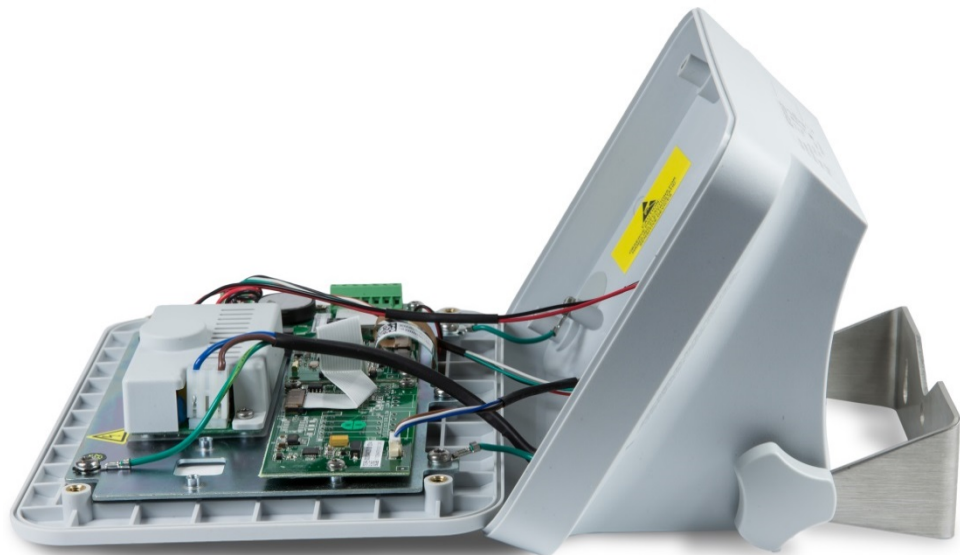


Figura 2-3: Rimozione del coperchio

2.2. Protezione ambientale



AVVERTENZA

NON UTILIZZARE L'IND231/IND236 ALL'INTERNO DI AREE A RISCHIO, A CAUSA DI ATMOSFERE COMBUSTIBILI O ESPLOSIVE. NON INSTALLARE UN IND231/IND236 IN ATMOSFERE ESPLOSIVE.

Il terminale IND231/IND236 è pensato per impiego standard industriale. L'IND231 è stato sottoposto a test e rispetta gli standard IP54. L'IND236 soddisfa i requisiti di protezione IP66/IP67.

2.3. Montaggio del terminale

Il terminale può essere posizionato su un banco, fissato su una superficie verticale o a una colonna. Montare il terminale in un luogo in cui la vista sia ottimale e il tastierino del terminale sia facilmente accessibile.

2.3.1. Montaggio IND231

2.3.1.1. Montaggio su banco

L'IND231 è dotato di due piedini in gomma autoadesivi (Figura 2-4) fissati sul fondo della scocca per evitare che scivoli.



Figura 2-4: IND331 – Piedino in gomma

2.3.1.2. Montaggio a parete o a colonna

La staffa di montaggio e i due pomelli di serraggio sono inclusi con l'IND231. Possono essere utilizzati per montare il terminale su una colonna o una superficie verticale.

1. Utilizzare i due pomelli per fissare le staffe alla parte inferiore del terminale, come mostrato in Figura 2-5.

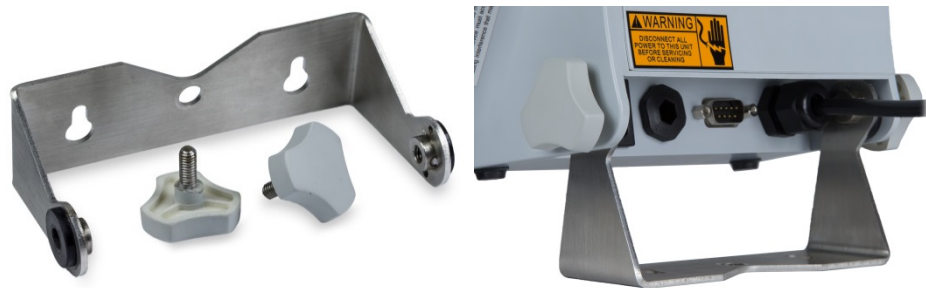


Figura 2-5: Staffa e pomelli di serraggio

2. La staffa consente di effettuare varie regolazioni, come mostrato in Figura 2-6.

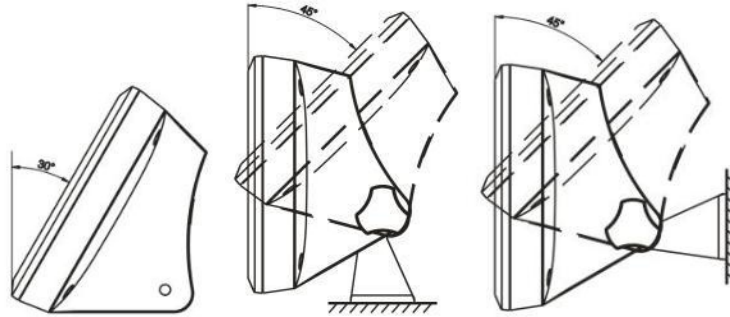


Figura 2-6: Regolazione della staffa per il montaggio a parete o a colonna

3. Segnare la posizione dei fori di montaggio della staffa sulla superficie in cui montare il terminale in base alle dimensioni indicate in Figura 2-7 oppure sollevando il terminale sulla superficie e segnando le posizioni attraverso i fori della staffa.

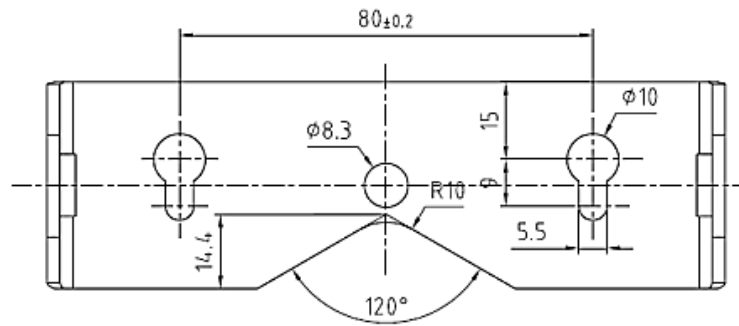


Figura 2-7: Schema di foratura per le staffe di montaggio

4. L'hardware su cui montare la staffa del terminale non è incluso con il terminale, deve essere fornito in loco. Accertarsi che l'hardware di montaggio sia in grado di supportare il peso del terminale, che corrisponde approssimativamente a 2,0 kg (4,4 libbre). Utilizzando l'hardware fornito in locale, montare la staffa del terminale alla superficie.

2.3.2. Montaggio IND236

2.3.2.1. Montaggio su banco

Se il terminale IND236 viene montato su una superficie piana, è possibile acquistare una staffa per il montaggio su banco (PN: 22021070).

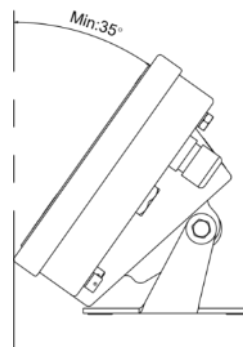


Figura 2-8: IND236 con staffa di montaggio su banco

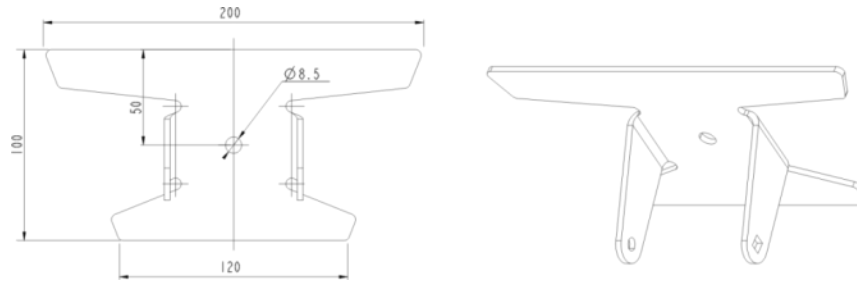


Figura 2-9: Dimensioni staffa da banco IND236

2.3.2.2. Montaggio a parete o a colonna

Con il modello IND236 è inclusa una staffa di montaggio. Può essere utilizzata per montare il terminale su una colonna o una superficie verticale. La staffa consente di effettuare varie regolazioni, come mostrato in Figura 2-10.

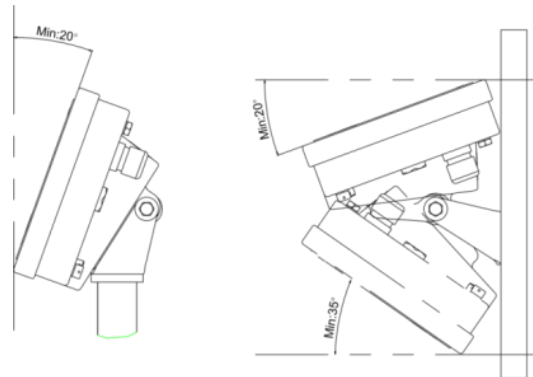


Figura 2-10: IND236 montato su colonna (a sinistra) e a parete (a destra)

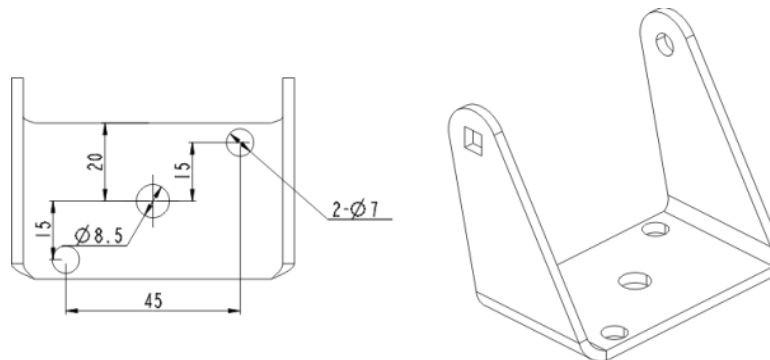


Figura 2-11: Dimensioni staffa da parete e colonna per IND236

2.4. Installazione dei cavi e dei connettori

Le informazioni per l'installazione dei cavi e dei connettori per il terminale IND231/IND236 sono fornite in questa sezione, inclusi:

- Connettori e passacavi
- Assegnazioni delle aperture sulla scocca

- Identificazione PCB
- Principali connessioni di cablaggio della scheda
- Connessione di alimentazione CA
- Connessioni della scheda di ricarica e pacco batteria ricaricabile
- Collegamento per cella di carico analogica
- Connessioni della porta seriale COM1
- Connessioni di cablaggio per le opzioni

2.4.1. Connettori e passacavi

Il modello IND231 utilizza una presa di alimentazione standard (IEC320 C14) e connettori DSUB-9 per comunicazioni RS-232. I pressacavi sono utilizzati per i collegamenti della cella di carico e delle opzioni.

Il terminale IND236 è progettato per resistere in ambienti con presenza abbondante d'acqua. Tuttavia, durante l'installazione di cavi e/o connettori da inserire nella scocca del terminale è necessario prestare la dovuta attenzione. Per assicurare la tenuta stagna:

- Prima di collegare i fili, far passare i cavi attraverso un pressacavo di dimensioni appropriate. La Figura 2-12 mostra un pressacavo con il dado di serraggio rimosso.

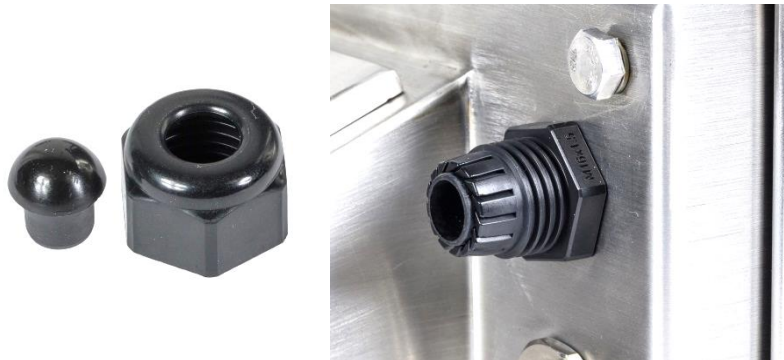


Figura 2-12: Pressacavo

- A seconda del diametro del cavo da installare, scegliere uno degli occhielli in gomma (se richiesto) per sigillare appropriatamente il cavo (Tabella 2-1).

Tabella 2-1: Dimensioni dei cavi, pressacavi e occhielli

Occhiello	Diametro cavo	
	Pressacavo della cella di carico per IND231	Pressacavo per IND231 e opzione
Nessuna	4–8 mm	5–10 mm
Occhiello piccolo	3–6,5 mm	4,5–6,8 mm

- Quando si effettuano le terminazioni del cavo all'interno della scocca, assicurarsi che la lunghezza del cavo tra connettore/morsettiera del terminale e alloggiamento del terminale sia

sufficiente a non sottoporre a sforzo il gruppo del connettore quando la scocca è in posizione di apertura completa.

- Dopo aver effettuato le connessioni di cablaggio come illustrato nella prossima sezione, accertarsi che il dado sul premistoppa del cavo sia serrato correttamente perché funga da sigillo intorno al cavo. Deve essere a tenuta stagna.

2.4.1.1. Assegnazioni delle aperture sulla scocca

La Figura 2-13 mostra le aperture sulla scocca del terminale IND231.

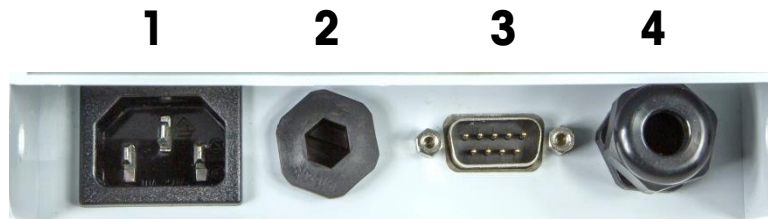


Figura 2-13: Aperture sulla scocca IND231

La Figura 2-14 mostra le aperture sulla scocca del terminale IND236 e la Tabella 2- 22 indica la destinazione di ciascuna apertura.



Figura 2-14: Aperture sulla scocca IND236

Tabella 2-2: Assegnazione dei connettori e pressacavi

Posizione	Assegnazione		
	Connessione standard	Connessione opzionale	
1	Cavo di alimentazione	-	
2	Nessuna (porta opzionale)	RS-232/422/485 isolata	USB I/O digitale
3	COM1 (RS-232)	-	
4	Cavo cella di carico	-	

2.4.2. Identificazione PCB

Tutte le schede elettroniche del terminale IND231/IND236 sono montate sull'assieme di supporto PCB. La scheda per il collegamento CA è necessaria solo per il terminale IND236. La scheda per la

ricarica è utilizzata solo per i terminali alimentati con pacco batteria ricaricabile. Le schede opzione montano tutte nella stessa posizione. La Figura 2-15 mostra la posizione di ciascun tipo di scheda.

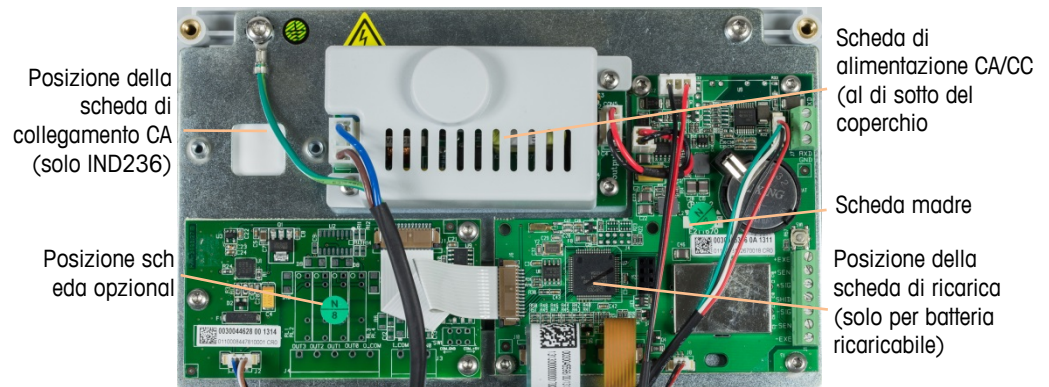


Figura 2-15: Posizioni schede elettroniche

2.4.3. Principali connessioni di cablaggio della scheda

La Figura 2-16 mostra l'assegnazione dei connettori sulla scheda madre. Assicurarsi di fissare i cavi alla presa corretta.

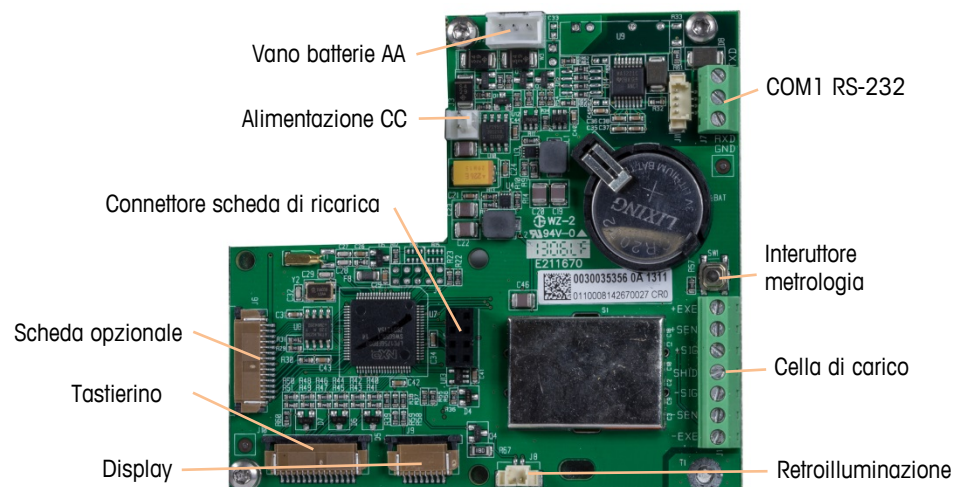


Figura 2-16: Connessioni sulla scheda madre

L'interruttore "Metrologia" è un pulsante di apertura (o chiusura) momentanea. Se premuto, il terminale entra in configurazione, nel menu delle impostazioni F1 della bilancia, da cui è possibile configurare i parametri della bilancia. **Questo è il solo modo per cambiare i parametri della bilancia su un terminale omologato.** Per maggiori dettagli, fare riferimento a **Entrare in modalità configurazione e Omologazione I tipo di bilancia** nel Capitolo 3 della **Guida dell'utente, Configurazione**.

2.4.4. Collegamento dell'alimentazione CA

La Figura 2-17 mostra una scheda di alimentazione CA senza coperchio di protezione.



Figura 2-17: Scheda di alimentazione

Il terminale IND231 è fornito con presa standard (IEC320 C14) e cavo di alimentazione.

Un cavo di linea permanentemente collegato fornisce alimentazione CA alla versione CA del terminale IND236. Il cavo di terra presenta un terminale a occhiello per il collegamento alla terra internamente (Figura 2-18).



Figura 2-18: Scheda di collegamento dell'alimentazione CA e della terra IND236

Nel modello IND236, una scheda di interfaccia trasferisce la tensione di alimentazione alla scheda di alimentazione (Figura 2-18).

Il terminale richiede da 85 a 264 VCA (al massimo 176 mA) con una frequenza di linea compresa tra 49 e 61 Hz. È protetto da fusibile interno da 3,15 A, 250 V.

L'integrità della messa a terra per l'apparecchiatura è importante sia per il funzionamento affidabile e sicuro del terminale che per la base della bilancia associata. Una messa a terra non perfetta può causare una condizione poco sicura qualora si sviluppasse un cortocircuito all'interno dell'apparecchiatura. Una buona connessione della messa a terra riduce al minimo i disturbi elettrici spuri. L'IND231/IND236 non deve condividere linee di alimentazione con apparecchiature che generano rumore. Per confermare l'integrità della messa a terra, utilizzare un analizzatore del circuito derivato. Se esistono condizioni di alimentazione avversa, potrebbe essere necessario un circuito di alimentazione dedicato o un condizionatore della linea elettrica.



AVVERTENZA

PER UNA PROTEZIONE CONTINUA CONTRO IL RISCHIO DI SCOSSE ELETTRICHE, COLLEGARE SOLO A UNA PRESA CORRETTAMENTE MESSA A TERRA. NON RIMUOVERE IL POLO DI TERRA.

2.4.5. Collegamento per cella di carico analogica

AVVISO

ONDE EVITARE DANNI ALLA CELLA DI CARICO O ALLA SCHEDA, RIMUOVERE L'ALIMENTAZIONE DAL TERMINALE IND231/IND236 E ATTENDERE ALMENO 30 SECONDI PRIMA DI COLLEGARE O SCOLLEGARE QUALUNQUE CABLAGGIO.

I collegamenti della cella di carico sono realizzati sul connettore della cella di carico montato sulla scheda madre, come mostrato in Figura 2-16.

Il terminale IND231/236 è progettato per alimentare fino a quattro celle di carico da 350 ohm (o una resistenza minima di circa 87 ohm). Per confermare che la cella di carico per quest'installazione è entro i limiti, è necessario calcolare la resistenza totale della bilancia (TSR, Total Scale Resistance) nel modo seguente:

$$TSR = \frac{\text{Resistenza di ingresso della cella di carico (Ohm)}}{\text{Numero di celle di carico}}$$

Prima di connettere le celle di carico, assicurarsi che la TSR della rete delle celle di carico da connettere all'IND231/IND236 abbia una resistenza maggiore del valore minimo indicato precedentemente. Se la resistenza è inferiore al minimo, il terminale IND231/IND236 non funzionerà correttamente.

Inoltre, è necessario esaminare la distanza massima del cavo. La Tabella 2-3 fornisce la lunghezza massima suggerita per il cavo in base al valore TSR e al diametro del cavo.

Tabella 2-3: Lunghezze massime raccomandate per il cavo

TSR (Ohm)	Misura 24 (metri/piedi)	Misura 20 (metri/piedi)	Misura 16 (metri/piedi)
350	243/800	610/2000	1219/4000
87 (celle 4-350 Ω)	60/200	182/600	304/1000

Il terminale IND231/IND236 è progettato per supportare celle di carico da 2mV/V e da 3mV/V dallo stesso circuito. Non è necessario un ponticello per la selezione del valore di uscita della cella di carico.

La Tabella 2-4 e la Figura 2-19 mostrano le assegnazioni dei collegamenti sulla morsettiera del terminale della cella di carico analogica. Si noti che, quando si utilizzano celle di carico a quattro fili, è necessario posizionare i ponticelli tra i terminali +Excitation (Alimentazione+) e +Sense (Rilevamento+) e tra i terminali -Excitation (Alimentazione-) e -Sense (Rilevamento-).

Tabella 2- 24: Assegnazione dei terminali sulla cella di carico

Pin	Segnale
1	+EXC
2	+SEN
3	+SIG
4	Schermo
5	-SIG
6	-SEN
7	-EXC

Celle a 4 fili

NOTE:

1. COME CAVO DIRETTO, UTILIZZARE UN CAVO SCHERMATO A SEI CONDUTTORI
2. CELLE SINGOLE A 4 CONDUTTORI: PONTICELLO DA + EXE A + SEN E PONTICELLO DA - EXE A - SEN SUI TERMINALI IND231/IND236
3. CELLE MULTIPLE A 4 CONDUTTORI: PONTICELLO DA + EXE A + SEN E PONTICELLO DA - EXE A - SEN SUI TERMINALI DI INGRESSO DELLA SCATOLA DI GIUNZIONE
4. DIMENSIONE DEI FILI: 18 AWG (0,823 mm²) MASSIMO, 24 AWG (0,205 mm²) MINIMO.

Celle a 6 fili

NOTE:

1. COME CAVO DIRETTO, UTILIZZARE UN CAVO SCHERMATO A SEI CONDUTTORI
2. DIMENSIONE DEI FILI: 18 AWG (0,823 mm²) MASSIMO, 4 AWG (0,205 mm²) MINIMO.

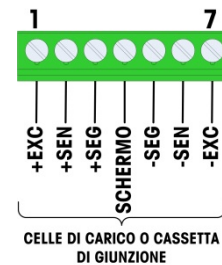
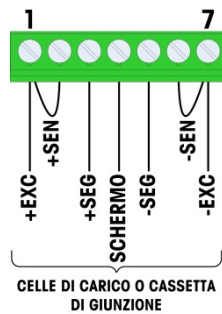
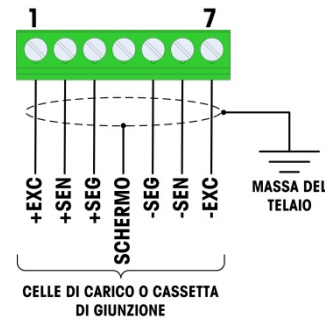
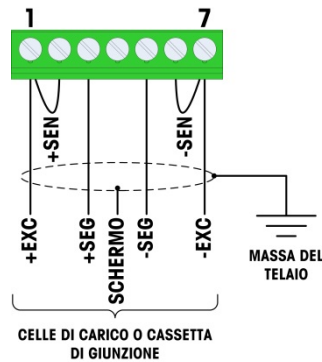


Figura 2-19: Terminazione cella di carico, Terra telaio (in alto), Terminale di terra (in basso)

- Quando si utilizza il cavo standard a 4 connettori, se all'aumento del carico corrisponde una diminuzione del peso visualizzato, invertire i fili del segnale (+SIG e -SIG).

2.4.5.1. Installazione di schermatura e ferrite per la cella di carico analogica

Esistono due modi per terminare la schermatura del cavo della cella di carico analogica: alla terra del telaio o al terminale di terra del connettore. I due metodi sono illustrati di seguito.

In entrambi i metodi, al fine di ottenere la conformità a determinati limiti di emissione del rumore e di proteggere l'IND231/IND236 da interferenze esterne, è necessario installare un nucleo in ferrite sul cavo della cella di carico collegata al terminale. Il nucleo in ferrite è in dotazione alla versione base del terminale.

2.4.5.1.1. IND231 – Collegamento al connettore della cella di carico

Se il cavo della cella di carico da collegare presenta un filo collegato alla schermatura, il cavo può essere terminato sul terminale centrale del connettore della cella di carico.

1. La disposizione all'interno del cavo della cella di carico è illustrato nella Figura 2-20.

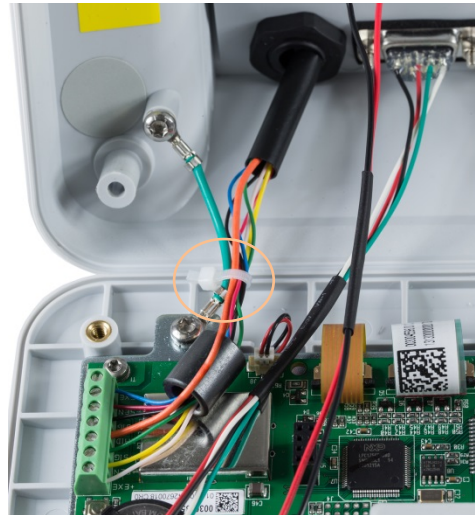


Figura 2-20: Installazione del terminale di messa a terra e della ferrite per la cella di carico analogica, IND231

- Si noti che il cavo schermato non passa attraverso la ferrite.
2. Posizionare la ferrite intorno al cavo cella di carico come indicato.
 3. Collegare i fili della cella di carico al connettore sulla scheda madre. Fare riferimento al codice dei colori della cella di carico da collegare e alla Figura 2-19.
 4. Usare una fascetta per fissare i fili al cavetto della cerniera della scocca.

2.4.5.1.2. IND231 – Collegamento alla terra sul telaio

Se il cavo della cella di carico da collegare non ha un filo collegato alla schermatura, quest'ultima deve essere terminata sulla terra del telaio, secondo la procedura seguente.

1. Il cavo della cella di carico entra attraverso il pressacavo illustrato nella Figura 2-23.
2. Preparare il cavo della cella di carico rimuovendo il rivestimento esterno e tagliando il filo della schermatura esterna come illustrato nella Figura 2-21.



Figura 2-21: Cavo della cella di carico dopo aver rimosso la guaina esterna e aver tagliato il filo di schermatura.

3. Ripiegare il filo di schermatura sulla guaina esterna del cavo.



Figura 2-22: Cavo della cella di carico dopo aver ripiegato il filo di schermatura

4. Il fermaglio di terra fornito con il terminale serve per collegare il filo di schermatura scoperto (Figura 2-22) alla piastrina metallica di supporto mediante la vite di fissaggio del cavetto cerniera, come illustrato in Figura 2-23.
5. La ferrite fornita con il terminale va posizionata intorno ai fili del connettore della cella di carico, all'estremità del cavo. Fare riferimento al codice dei colori della cella di carico da collegare e alla Figura 2-19.

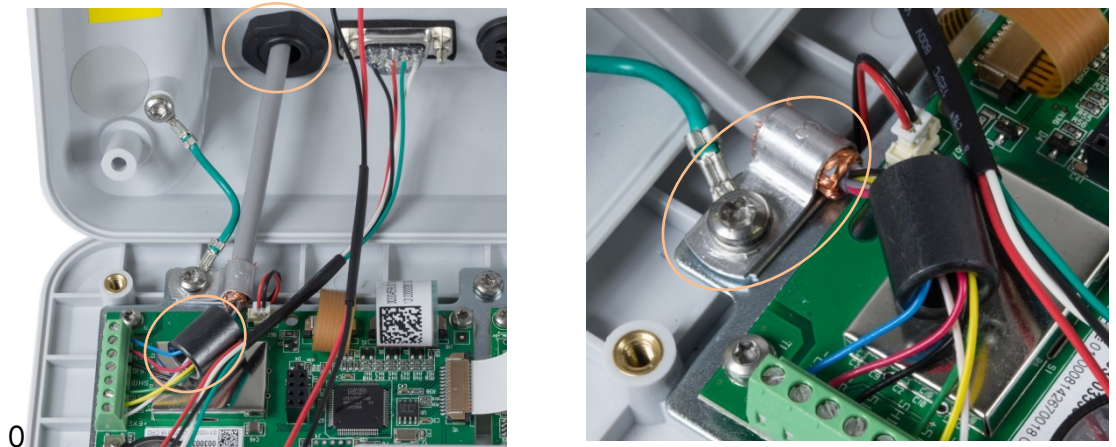


Figura 2-23: Installazione della ferrite sul cavo della cella di carico analogica e messa a terra sul telaio, IND231

2.4.5.1.3. IND236 – Collegamento al connettore della cella di carico

Se il cavo della cella di carico da collegare presenta un filo collegato alla schermatura, il cavo può essere terminato sul terminale centrale del connettore della cella di carico.

1. Il cavo della cella di carico entra attraverso il pressacavo illustrato nella Figura 2-24.



Figura 2-24: Installazione del terminale di messa a terra e della ferrite per la cella di carico analogica, IND236

- Si noti che il cavo schermato non passa attraverso la ferrite.
2. Posizionare la ferrite all'estremità del cavo della cella di carico e fissare i fili della cella di carico al connettore sulla scheda madre. Fare riferimento al codice dei colori della cella di carico da collegare e alla Figura 2-19.
 3. Usare due fascette fermacavi per legare i fili del cavo della cella di carico al cavetto della cerniera della scocca.

2.4.5.1.4. IND236 – Collegamento alla terra sul telaio

Se il cavo della cella di carico da collegare non ha un filo collegato alla schermatura, quest'ultima deve essere terminata sulla terra del telaio, secondo la procedura seguente.

1. Il cavo della cella di carico entra attraverso il pressacavo illustrato nella Figura 2-27.
2. Preparare il cavo della cella di carico rimuovendo il rivestimento esterno e tagliando il filo della schermatura esterna come illustrato nella Figura 2-25.



Figura 2-25: Cavo della cella di carico dopo aver rimosso la guaina esterna e aver tagliato il filo di schermatura.

3. Ripiegare il filo di schermatura sulla guaina esterna del cavo.



Figura 2-26: Cavo della cella di carico dopo aver ripiegato il filo di schermatura

4. Posizionare il fermaglio di messa a terra fornito con il terminale sulla parte scoperta del filo della schermatura (v. Figura 2-26).

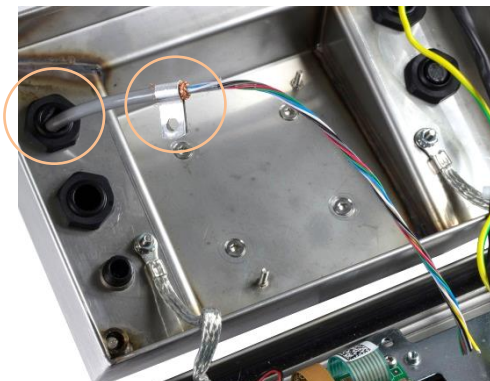


Figura 2-27: Passaggio del cavo della cella di carico nella scocca del terminale IND236, con il fermaglio di terra.

5. Collegare il fermaglio di messa a terra alla scocca usando la vite di fissaggio della cerniera della scocca, come mostrato in Figura 2-28 (sinistra).

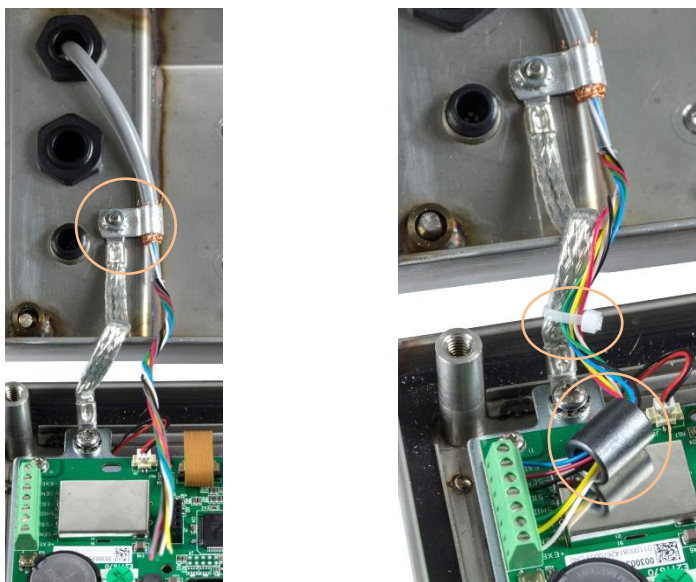


Figura 2-28: Installazione della ferrite sul cavo della cella di carico analogica e messa a terra sul telaio, IND236

6. Posizionare la ferrite intorno al cavo cella di carico come indicato.

7. Collegare i fili della cella di carico al connettore sulla scheda madre. Fare riferimento al codice dei colori della cella di carico da collegare e alla Figura 2-19.
8. Usare una fascetta per fissare i fili al cavetto della cerniera della scocca.

2.4.6. Connessioni della porta seriale COM1

La porta COM1 (REF) consente la connessione RS-232 per dispositivi seriali esterni. La Figura 2-29 e la Tabella 2-5 indicano a quale terminale corrisponde il rispettivo segnale sulla porta COM1 (DSUB-9) del terminale IND231.

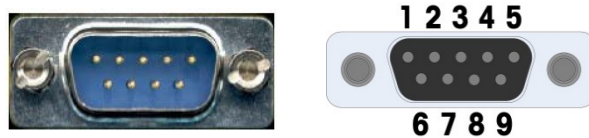


Figura 2-29: Porta COM1, terminale IND231

Tabella 2-5: Segnali sulla Porta COM1, terminale IND231

Terminale	Segnale	
Pin 2	RxD	Ricezione RS-232
Pin 3	TxD	Trasmissione RS-232
Pin 5	Gnd	Messa a terra logica

Nel terminale IND236 il connettore RS-232 si trova sulla scheda madre (v. Figura 2-16). Il cavo di comunicazione entra attraverso un pressacavo (v. Figura 2-14) ed è collegato alla porta COM1 della scheda madre.

La Figura 2-30 mostra un esempio di connessione RS-232 alle apparecchiature esterne. Effettuare i collegamenti come necessario.

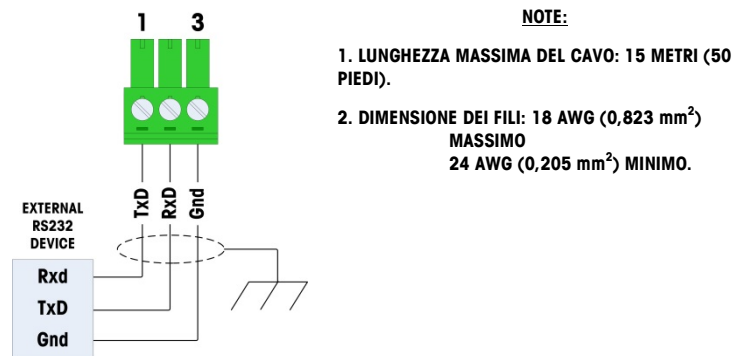


Figura 2-30: Modello di collegamento COM1 per IND236

2.4.7. Connessioni di cablaggio per le opzioni

Le opzioni per IND231/IND236 che richiedono connessioni esterne comprendono:

- COM2 con RS-232/422/485 isolata
- Interfaccia USB

- Interfaccia I/O discreto

2.4.7.1. COM2 con opzione RS-232/422/485 isolata

La scheda opzionale COM2 con RS-232/422/485 (Figura 2-31) fornisce una singola porta seriale isolata.

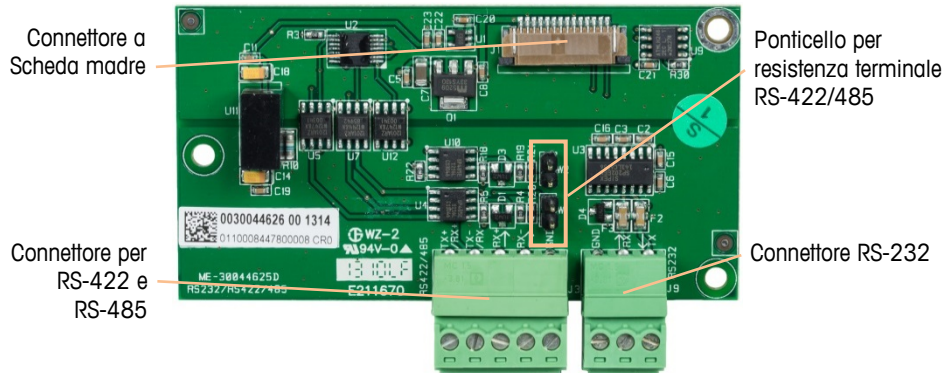


Figura 2-31: COM2 con RS-232/422/485

La porta COM2 fornisce connessioni RS-232, RS-422 e RS-485. Il collegamento hardware deve essere configurato nella sezione Comunicazioni del menu di configurazione, fare riferimento al Capitolo 3 della **Guida dell'utente, Configurazione**. La Figura 2-33 e la Tabella 2- 26 mostrano i dettagli della connessione.

Per impostazione predefinita, i ponticelli sulla scheda (W1 e W2, indicati in Figura 2-31) sono aperti. Essi abilitano la connessione di una resistenza terminale da 120 Ohm ai segnali RS-422 e RS-485 A/B. In caso si dovesse abilitare la resistenza terminale, posizionare i ponticelli come mostrato in Figura 2-32.

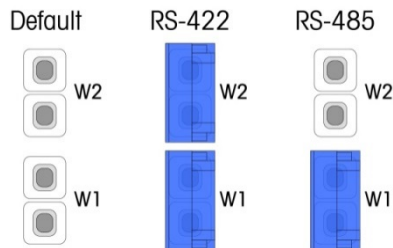


Figura 2-32: Posizioni del ponticello COM2

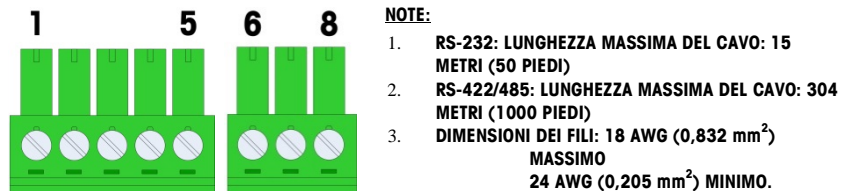


Figura 2-33: Segnali porta COM2

Tabella 2-26: Assegnazione dei terminali della porta seriale isolata

Terminale	Segnali	Descrizione
Pin 1	TX/RX+	Dati RS-485 A o dati di trasmissione RS-422 A
Pin 2	TX/RX-	Dati RS-485 B o dati di trasmissione RS-422 B
Pin 3	RX+	RS-422 Ricezione dati A
Pin 4	RX-	RS-422 Ricezione dati B
Pin 5	GND	Terra logica per RS-422/485
Pin 6	GND	Terra logica per RS-232
Pin 7	RX	Ricezione RS-232
Pin 8	TX	Trasmissione RS-232

2.4.7.2. Opzione dispositivo USB

La scheda opzionale fornisce una porta di connessione Mini-USB singola di tipo B, mostrata in Figura 2-35. La porta Mini-USB è un'interfaccia dispositivo (non un host), e funziona principalmente come una porta seriale. Per il collegamento a questa porta è necessario un cavo Mini-USB adatto di tipo B.

La porta è dotata di cappuccio da avvitare quando la porta non è in uso.

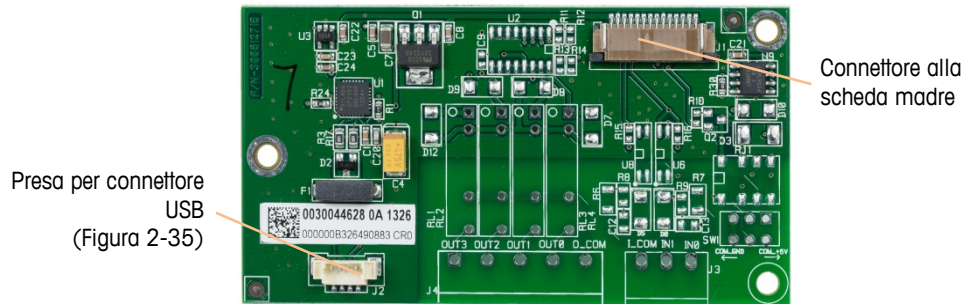


Figura 2-34: Scheda opzionale USB

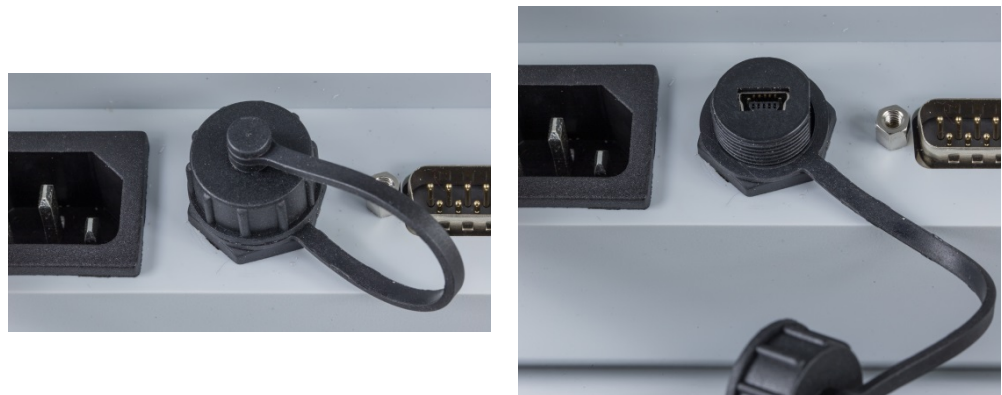


Figura 2-35: Presa Mini USB con cappuccio

2.4.7.3. Opzioni I/O discreto

Questa scheda opzionale prevede due ingressi isolati e quattro uscite relè, normalmente aperte, a contatti asciutti. Gli ingressi sono selezionabili come attivi o passivi in base alla posizione dell'interruttore a scorrimento sulla scheda, come indicato nella Figura 2-36.



Figura 2-36: Scheda opzionale I/O discreto

2.4.7.3.1. Interruttore I/O discreto

Un interruttore sulla scheda dell'I/O discreto seleziona gli ingressi attivi o passivi. Prima del cablaggio agli ingressi, accertarsi che l'interruttore sia impostato correttamente. La posizione dell'interruttore e il posizionamento attivo/passivo sono mostrati in Figura 2-37.

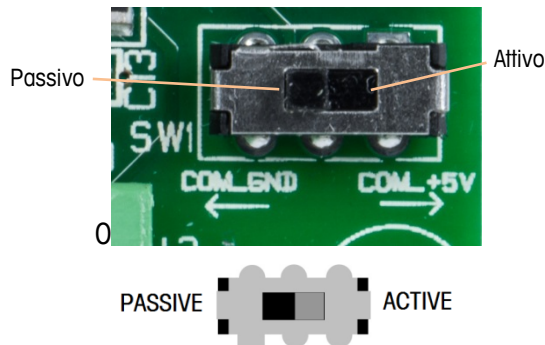
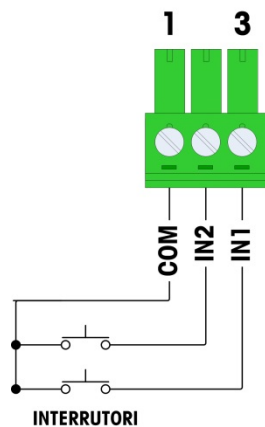


Figura 2-37: Interruttore I/O discreto

2.4.7.3.2. Ingresso attivo

Selezionando gli input come attivi si abilita il collegamento degli interruttori o di altri dispositivi semplici per l'avvio di un input. Non viene fornita alcuna tensione da parte del dispositivo semplice esterno.

Un esempio di cablaggio degli ingressi attivi è mostrato in Figura 2-38.



NOTE:

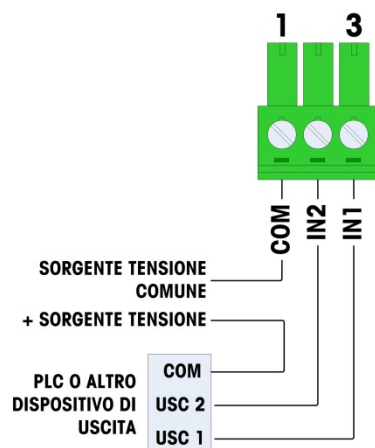
1. LA TENSIONE È 5 VCC DI LIVELLO LOGICO. CONSIGLIATI CONTATTI A RESISTENZA BASSA. LUNGHEZZA MASSIMA DEL CAVO: 6 METRI (20 PIEDI).
2. NON LEGARE IL CABLAGGIO DI INPUT CON IL CABLAGGIO DI ALIMENTAZIONE O ALTRI CAVI AD ELEVATA ENERGIA.
3. GLI INTERRUTTORI POSSONO ESSERE SOSTITUITI DA RELÈ A CONTATTO SENZA TENSIONE.
4. DIMENSIONI DEI FILI: 18 AWG (0,832 mm²) MASSIMO 24 AWG (0,205 mm²) MINIMO.

Figura 2-38: connessioni dell'ingresso attivo

2.4.7.3.3. Ingresso passivo

Selezionando gli input come passivi si abilitano altri dispositivi, ad esempio i PLC, a fornire tensione di attivazione (generalmente 12 o 24 VCC, max 30 VCC) per attivare gli ingressi del terminale IND231/236.

Un esempio di cablaggio agli ingressi passivi con +V sul comune è illustrato in Figura 2-39.



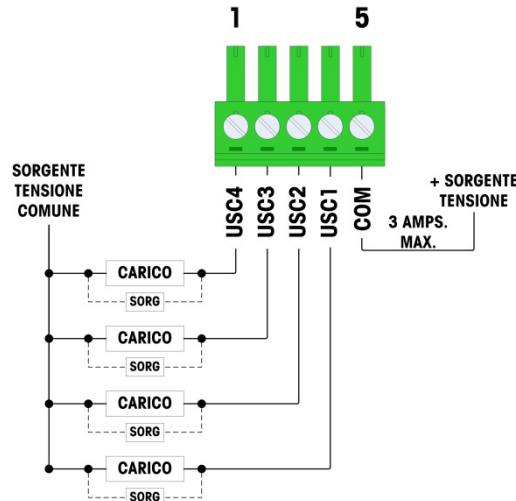
NOTE:

1. TENSIONE: 5-30 VCC, CORRENTE MASSIMA 10 mA. NON È POSSIBILE INVERTIRE LA POLARITÀ DELLA TENSIONE.
2. NON LEGARE IL CABLAGGIO DI INPUT CON IL CABLAGGIO DI ALIMENTAZIONE O ALTRI CAVI AD ELEVATA ENERGIA.
3. DIMENSIONI DEI FILI: 18 AWG (0,832 mm²) MASSIMO 24 AWG (0,205 mm²) MINIMO.

Figura 2-39: connessioni dell'ingresso passivo

2.4.7.3.4. Uscite con relè

Le uscite del relè possono attivarsi a tensioni di 250 VCC o 30 VCC a 1 A max. Le uscite a relè non sono sensibili alla polarità poiché sono uscite a contatto asciutto. La Figura 2-40 mostra un esempio di cablaggio alle uscite.



NOTE:

1. RELÈ CON CONTATTO SENZA TENSIONE
2. VALORE DELLA CORRENTE DI CONTATTO DEL RELÈ:
CA: 24-250 VCA, 1,0 A NEL CARICO RESISTIVO
CC: 5-30 VCC, 1,0 A NEL CARICO RESISTIVO.
MASSIMA POTENZA DI COMMUTAZIONE: 250 VA, 30 W.
3. CORRENTE MASSIMA DEL CIRCUITO DI USCITA= 3 A.
4. È NECESSARIO ELIMINARE TUTTI I CARICHI INDUTTIVI.
5. DIMENSIONI DEI FILI:
18 AWG (0,832 mm²) MASSIMO
24 AWG (0,205 mm²) MINIMO.

Figura 2-40: uscite relè

2.5. Istruzioni per l'etichetta di capacità

In determinate regioni, le normative richiedono che la capacità ed e le divisioni (incrementi) della bilancia siano visibili sulla parte anteriore del terminale, accanto al display. Per soddisfare tale esigenza, al terminale è allegata un'etichetta blu per l'indicazione della capacità, da completare e applicare sulla mascherina.

L'etichetta per l'indicazione di capacità (mostrata in Figura 2-41) è provvista di spazi per le informazioni di Max, min ed e, per ciascuna gamma per cui la bilancia è stata programmata. La parte non compilata dell'etichetta può essere tagliata con le forbici. Le informazioni scritte devono essere leggibili e alte almeno 2 mm o 0,08 pollici. Utilizzare un pennarello indelebile.



Figura 2-41: Etichetta di capacità

Eliminare eventuali tracce d'olio o di altro sporco dalla zona sulla quale verrà applicata l'etichetta di indicazione della capacità. Staccare la parte posteriore e applicare l'etichetta sulla mascherina oppure in un'altra posizione accettabile in base alle normative locali.

2.6. Chiusura della scocca

Dopo aver completato tutto il lavoro all'interno del terminale, la scocca può essere chiusa. Serrare le viti per fissare il coperchio in posizione, con riferimento a Apertura della scocca, pagina A-1.

2.6.1. Coppia di serraggio per i fermi della scocca

I fermi della scocca devono essere serrati ai valori seguenti:

IND231:	1,5 Nm
IND236:	5,5 Nm

2.7. Sigillatura della scocca

Quando il terminale IND231/IND236 viene utilizzato in un'applicazione "approvata" da un punto di vista metrologico, deve essere protetto dalle alterazioni mediante l'uso di sigilli. Sulle scocche si utilizza solo un sigillo a filo di sicurezza, fornito in dotazione con il terminale.

Per sigillare il terminale devono essere verificate le seguenti condizioni:

- Deve essere collegata una base bilancia al terminale attraverso il pressacavo della cella di carico, con la scocca e i pressacavi serrati correttamente.
- La sigillatura deve evitare la rimozione dal terminale dei supporti contenenti i dati di calibratura.
- La sigillatura deve evitare l'accesso alla configurazione di tutte le funzioni metrologiche significative.

Per i dettagli relativi alla sigillatura del terminale IND231/IND236, fare riferimento alla Figura 2-42 e seguire questi passaggi:

1. Assicurarsi che durante la configurazione, sia stata selezionata la regione di omologazione corretta, nella sezione F1.1.2 Omologazione.
2. Con il pannello anteriore installato sulla scocca e le viti di fissaggio serrate, infilare l'estremità libera del filo di sigillatura attraverso la vite di sigillatura dell'IND231/IND236 e quindi attraverso il foro nel sigillo sulla scocca (Figura 2-42).



Figura 2-42: Installazione sigillo – IND231 (a sinistra) e IND236 (a destra)

3. Infilare l'estremità del cavo attraverso il foro nel sigillo di plastica (Figura 2-43, sinistra), stringere affinché il filo non sia lento e far scattare il sigillo in posizione di chiusura (Figura 2-43, destra). Tagliare il filo in eccesso.



Figura 2-43: Chiusura del sigillo

IND231/IND236

Terminal de pesagem



METTLER TOLEDO

IND231/IND236

Terminal de pesagem

METTLER TOLEDO Service

Serviços essenciais para o desempenho confiável

Parabéns por escolher a qualidade e precisão da METTLER TOLEDO. O uso adequado de seu novo equipamento de acordo com este manual e a calibração e manutenção regulares feitas por nossa equipe treinada na fábrica garante uma operação confiável e precisa, protegendo o seu investimento. Entre em contato para discutirmos um contrato de serviço adequado às suas necessidades e ao seu orçamento. Mais informações estão disponíveis em www.mt.com/service.

Há vários meios importantes para garantir que o desempenho de seu investimento seja o ideal:

1. **Registre seu produto:** Convidamos você a registrar seu produto em www.mt.com/productregistration para que possamos informá-lo sobre melhorias, atualizações e notificações importantes sobre o seu produto.
2. **Se precisar de serviço, fale com a METTLER TOLEDO:** O valor de uma medição é proporcional à sua exatidão – uma balança fora da especificação pode reduzir a qualidade, diminuir os lucros e aumentar a responsabilidade. A manutenção da METTLER TOLEDO em tempo hábil garante a exatidão e otimiza o tempo de operação e a vida do equipamento.
 - a. **Instalação, configuração, integração e treinamento:** Nossos representantes de serviços treinados na fábrica são especialistas em equipamentos de pesagem. Asseguramos que seu equipamento de pesagem está pronto para produzir de maneira rentável e no momento adequado e que o pessoal é treinado para o sucesso.
 - b. **Documentação de calibração inicial:** O ambiente de instalação e os requisitos da aplicação são peculiares para cada balança industrial, por isso o desempenho deve ser testado e certificado. Nossos serviços de calibração e certificados documentam a exatidão para garantir a qualidade da produção e fornecer um registro de desempenho para o sistema de qualidade.
 - c. **Manutenção da calibração periódica:** Um Contrato de Serviço de Calibração confere confiabilidade contínua ao seu processo de pesagem e uma documentação de conformidade aos requisitos. Oferecemos uma variedade de planos de serviço programados para atender às suas necessidades e idealizados para se adequarem a seu orçamento.

© METTLER TOLEDO 2013

Nenhuma parte deste manual pode ser reproduzida ou transmitida em qualquer formato ou por meios eletrônicos ou mecânicos, inclusive fotocópia e gravação, para qualquer finalidade sem a expressa permissão escrita da METTLER TOLEDO.

Direitos restritos do governo dos EUA: Esta documentação é fornecida com Direitos restritos.

Copyright 2013 METTLER TOLEDO. Esta documentação contém informações proprietárias da METTLER TOLEDO. Ela não pode ser copiada total ou parcialmente sem o consentimento expresso por escrito da METTLER TOLEDO.

A METTLER TOLEDO reserva-se o direito de fazer melhorias ou alterações no produto e no manual sem prévio aviso.

COPYRIGHT

METTLER TOLEDO® é marca registrada da Mettler-Toledo, LLC. Todas as demais marcas e nomes de produto são marcas comerciais ou marcas comerciais registradas de suas respectivas empresas.

A METTLER TOLEDO RESERVA-SE O DIREITO DE FAZER MELHORIAS OU ALTERAÇÕES SEM PRÉVIO AVISO.

Notificação FCC

Este dispositivo atende a Parte 15 das Normas FCC e os Requisitos para rádio interferência do Departamento Canadense de Telecomunicações. A operação está sujeita às seguintes condições: (1) este dispositivo pode causar interferência prejudicial e (2) é necessário que ele aceite toda e qualquer interferência recebida, inclusive interferências que ocasionem operação indesejada.

Este equipamento foi testado e está em conformidade com os limites para um dispositivo digital Classe A, conforme a Parte 15 das Normas FCC. Estes limites são projetados para fornecer proteção razoável contra interferências prejudiciais quando o equipamento for operado em um ambiente comercial. Este equipamento gera, utiliza e pode irradiar energia de radiofrequência e, se não for instalado e utilizado de acordo com o manual de instruções, pode causar interferência prejudicial às comunicações de rádio. A operação deste equipamento em uma área residencial pode causar interferência prejudicial, caso em que o usuário será obrigado a corrigir a interferência por sua própria conta.

- A Declaração de conformidade consta do CD de documentação.

Declaração de Conformidade RoHS

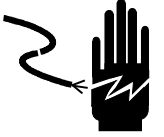

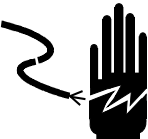
- A maioria dos nossos produtos está dentro das categorias 8 e 9. Essas categorias atualmente não estão dentro do escopo da Diretiva 2002/95/EG (RoHS) de 27 de janeiro de 2003. Se nossos produtos forem ser usados em outros produtos que estejam dentro do escopo da Diretiva RoHS, os requisitos de conformidade precisam ser negociados em contratos separados.
- Os produtos incluídos nas categorias 1-7 e 10 estarão em conformidade com a Diretiva EU RoHS não posterior a 1 de julho de 2006.
- Se, por razões técnicas, não for possível substituir substâncias que não estejam em conformidade com RoHS em qualquer dos produtos acima conforme exigido, informaremos nossos clientes de forma oportuna.

Declaração sobre substâncias perigosas.

- Não fazemos uso direto de materiais nocivos como o amianto, substâncias radioativas ou compostos de arsênico. No entanto, compramos componentes de fornecedores que podem conter algumas dessas substâncias em quantidades muito pequenas.

Precauções

- LEIA este manual ANTES de usar ou fazer a manutenção deste equipamento e SIGA cuidadosamente estas instruções.
- GUARDE este manual para consulta futura.

	<p>⚠ ADVERTÊNCIA</p> <p>PARA PROTEÇÃO CONTÍNUA CONTRA RISCO DE CHOQUE, CONECTE A VERSÃO CA DO TERMINAL IND231/IND236 APENAS A UMA SAÍDA DEVIDAMENTE ATERRADA. NÃO REMOVA O PINO TERRA.</p>
	<p>⚠ ADVERTÊNCIA</p> <p>PERMITA QUE APENAS PESSOAL QUALIFICADO REALIZE SERVIÇOS DE MANUTENÇÃO NO TERMINAL. TENHA CUIDADO AO MARCAR VERIFICAÇÕES, TESTES E AJUSTES QUE PRECISEM SER EFETUADOS COM O APARELHO LIGADO. SE ESTA PRECAUÇÃO NÃO FOR SEGUIDA, PODEM OCORRER LESÕES CORPORAIS E/OU DANOS MATERIAIS.</p>
	<p>⚠ ADVERTÊNCIA</p> <p>O TERMINAL IND231/IND236 NÃO FOI PROJETADO PARA USO EM ÁREAS CLASSIFICADAS COMO PERIGOSAS DEVIDO A ATMOSFERAS COMBUSTÍVEIS OU EXPLOSIVAS. NÃO INSTALE UM IND231/IND236 EM UM AMBIENTE EXPLOSIVO.</p>
	<p>⚠ ADVERTÊNCIA</p> <p>QUANDO ESTE EQUIPAMENTO FOR USADO COMO COMPONENTE DE UM SISTEMA, O PROJETO RESULTANTE DEVE SER ANALISADO POR PESSOAL QUALIFICADO E FAMILIARIZADO COM A CONSTRUÇÃO E OPERAÇÃO DE TODOS OS COMPONENTES DO SISTEMA E DOS RISCOS POTENCIAIS ENVOLVIDOS. SE ESTA PRECAUÇÃO NÃO FOR SEGUIDA PODEM OCORRER LESÕES CORPORAIS E/OU DANOS MATERIAIS.</p>
	<p>⚠ ATENÇÃO</p> <p>A BATERIA NIMH USADA NESTE DISPOSITIVO PODE APRESENTAR UM RISCO DE INCÊNDIO OU QUEIMADURA QUÍMICA SE FOR INDEVIDAMENTE MANIPULADA. NÃO AMASSE, DESMONTE, AQUEÇA ACIMA DE 60 °C OU INCINERE. TROQUE A BATERIA POR 30044650 APENAS. USAR OUTRA BATERIA PODE REPRESENTAR UM RISCO DE QUEIMADURA, INCÊNDIO OU EXPLOÇÃO.</p>
	<p>⚠ ATENÇÃO</p> <p>USE ATENÇÃO WHEN TESTING THE BATTERY. A LARGE AMOUNT OF CURRENT MAY BE PRESENT IN THE BATTERY.</p>
	<p>⚠ ATENÇÃO</p> <p>DESCARTE IMEDIATAMENTE A BATERIA USADA. MANTENHA-A FORA DO ALCANCE DE CRIANÇAS. NÃO DESMONTE E NÃO INCINERE.</p>



⚠ ATENÇÃO

ANTES DE CONECTAR/DESCONECTAR QUALQUER COMPONENTE ELETRÔNICO INTERNO OU FIAÇÃO DE INTERCONEXÃO ENTRE EQUIPAMENTOS ELETRÔNICOS SEMPRE DESLIGUE A ENERGIA E ESPERE PELO MENOS TRINTA (30) SEGUNDOS ANTES DE FAZER QUALQUER CONEXÃO OU DESCONEXÃO. SE ESTAS PRECAUÇÕES NÃO FOREM SEGUIDAS, PODEM OCORRER DANOS, A DESTRUIÇÃO DO EQUIPAMENTO E/OU LESÕES CORPORAIS.

AVISO

NÃO TENDE CARREGAR A BATERIA SE A TEMPERATURA DA BATERIA ESTIVER ABAIXO DE 0°C (32°F). A CARGA NÃO É POSSÍVEL EM OU ABAIXO DESTA TEMPERATURA. NÃO OPERE O CARREGADOR DA BATERIA FORA DA SUA FAIXA DE TEMPERATURA DE 0°C (32°F) A 40°C (104°F).

AVISO

PARA EVITAR DANOS À PLACA DE CIRCUITO IMPRESSO OU À CÉLULA DE CARGA, DESLIGUE A ALIMENTAÇÃO DO TERMINAL IND231/IND236 E AGUARDE PELO MENOS 30 SEGUNDOS ANTES DE CONECTAR OU DESCONECTAR QUALQUER CHICOTE ELÉTRICO.



AVISO

SIGA ESTAS PRECAUÇÕES AO MANUSEAR DISPOSITIVOS SENSÍVEIS À ELETRICIDADE ESTÁTICA.

Requisito sobre disposição segura

Em conformidade com a Diretiva Europeia 2002/96/EC sobre Descarte de Equipamentos Elétricos e Eletrônicos (WEEE) este dispositivo não deve ser descartado como resíduo doméstico. Isto também é aplicável a países fora da EU, conforme requisitos específicos.



Descarte este dispositivo conforme os requisitos locais nos pontos de coleta especificados para equipamentos elétricos e eletrônicos.

Se tiver dúvidas, entre em contato com a autoridade responsável ou distribuidor de quem adquiriu este equipamento.

Se este dispositivo for transferido a terceiros (para uso privado ou profissional), é necessário que o teor deste regulamento também esteja associado.

Agradecemos sua contribuição à proteção do meio ambiente.

Sumário

1	Introdução	1-1
1.1.	Introdução ao IND231/IND236	1-1
1.1.1.	Recursos Padrão	1-1
1.1.2.	Tipos de Terminais IND231/IND236	1-2
1.2.	Uso em Áreas Perigosas	1-2
1.3.	Especificações	1-2
1.4.	Identificação de Modelo	1-4
1.5.	Inspeção e Lista de Verificação de Conteúdo	1-5
1.6.	Dimensões Físicas	1-6
1.7.	Placa Principal	1-7
1.8.	Bases da Balança	1-8
1.9.	Opções	1-8
1.9.1.	Interface Serial Isolada RS232/RS422/RS485	1-8
1.9.2.	E/S Discreta	1-8
1.9.3.	USB	1-8
1.10.	Display e Teclado	1-9
1.10.1.	Layout do Display	1-9
1.10.2.	Teclas do Painel Frontal	1-9
2	Instalação	2-1
2.1.	Como Abrir o Gabinete	2-1
2.2.	Proteção Ambiental	2-2
2.3.	Montagem do Terminal	2-3
2.3.1.	Montagem do IND231	2-3
2.3.2.	Montagem do IND236	2-4
2.4.	Instalação de Cabos e Conectores	2-5
2.4.1.	Conectores e Prensa-Cabos	2-6
2.4.2.	Identificação da Placa Principal	2-8
2.4.3.	Conexões Elétricas da Placa Principal	2-8
2.4.4.	Conexão de Energia CA	2-9
2.4.5.	Conexão Analógica da Célula de Carga	2-10
2.4.6.	Conexão de Porta Serial COM1	2-16
2.4.7.	Conexões Elétricas para Opcionais	2-16
2.5.	Instruções para a Etiqueta de Capacidade	2-21
2.6.	Fechamento do Gabinete	2-22
2.6.1.	Especificações de Torque para Fixadores de Gabinete	2-22
2.7.	Lacre do Gabinete	2-22

1 Introdução

Este capítulo cobre

- Introdução ao IND231/IND236
- Uso em Áreas Perigosas
- Especificações
- Identificação de Modelo
- Inspeção e Lista de Verificação de Conteúdo
- Dimensões Físicas
- Placa Principal
- Bases da Balança
- Opções
- Display e Teclado

O terminal de balança industrial IND231/IND236 fornece uma solução compacta, embora flexível, para atender a uma variedade de necessidades de pesagem. Disponível tanto com alimentação CA para aplicações estacionárias como com alimentação por bateria para aplicações portáteis, este terminal adapta-se a praticamente qualquer ambiente industrial.

As células de carga 2 mV/V e 3 mV/V são suportadas sem a necessidade de alteração de configuração. O IND231/IND236 fornece dados de medição de precisão de gramas a quilogramas em um único pacote com um excelente custo-benefício.

As aplicações padrão incluem pesagem básica, pesagem de animais, verificação de excesso ou falta de peso, contagem e acúmulo. Modelos de impressão pré-definidos específicos para a aplicação, incluindo data e hora, fornecem transmissão de informações de transação de pesagem para impressoras e aplicativos de software de PC.

1.1. Introdução ao IND231/IND236

1.1.1. Recursos Padrão



- Design de gabinete plástico de fácil manipulação para o IND231, gabinete de aço inoxidável resistente para o IND236
- Suporte a uma plataforma de célula de carga analógica com até quatro células de carga de 350 Ω.
- Pode ser usado como um monitor remoto para mostrar o peso de um terminal principal separado
- Grande display LCD com sete segmentos, backlight branca e ícones gráficos para facilitar a leitura em condições variáveis de iluminação.
- Alimentado por 85–264 V CA ou pacote de bateria interno
- Uma porta serial padrão (COM1) para comunicação bidirecional assíncrona
- Suporte para uma das seguintes placas opcionais:
 - Interface serial RS232, RS422 e RS485 eletricamente isolada da COM2
 - Interface de dispositivo USB para conexão a um PC
 - Interface de E/S discreta
- Acesso a teclas do painel frontal para funções básicas de pesagem - zerar, tara, limpar, função configurável e impressão.

- Unidade primária selecionável de medidas incluindo gramas, quilogramas, libras e onças
- Unidade secundária selecionável de medidas incluindo gramas, quilogramas, libras e onças
- Backup e restauração de definições de configuração e calibração usando a ferramenta InSite® SL.
- Recursos de desligamento automático e timeout de backlight para ajudar a preservar energia e durabilidade de bateria estendida ao usar a versão com alimentação por bateria. **Tipos de Terminais IND231/IND236**

O terminal está disponível nas seguintes quatro versões:

- Gabinete plástico de IND231, alimentação CA (também foi projetado para uso com pilhas alcalinas AA)
- Gabinete plástico do IND231, alimentação por bateria NiMH recarregável
- Gabinete de aço inoxidável do IND236, alimentação CA
- Gabinete de aço inoxidável do IND236, alimentação por bateria NiMH recarregável

1.2. Uso em Áreas Perigosas

	 ADVERTÊNCIA!
	NÃO UTILIZE O TERMINAL IND231/IND236 EM ÁREAS CLASSIFICADAS COMO PERIGOSAS DEVIDO A ATMOSFERAS COMBUSTÍVEIS OU EXPLOSIVAS. PROCURE O REPRESENTANTE AUTORIZADO METTLER TOLEDO PARA OBTER INFORMAÇÕES SOBRE APLICAÇÕES EM ÁREAS PERIGOSAS.

1.3. Especificações

Os terminais IND231 e IND236 obedecem às especificações relacionadas na Tabela 1-1.

Tabela 1-1: Especificações de Terminal

Especificações	IND231	IND236
Tipo de Gabinete	Plástico, configurável como gabinete de montagem em mesa ou coluna/parede	Aço inoxidável, configurável como gabinete de montagem em mesa ou coluna/parede
Dimensões de Produto (l x a x p)	220 mm x 150 mm x 102 mm (8,66 pol. x 5,90 pol. x 4,02 pol.)	220 mm x 150 mm x 93,3 mm (8,66 pol. x 5,90 pol. x 3,67 pol.)
Dimensões de Envio (l x a x p)	350 mm x 220 mm x 195 mm (13,78 pol. x 8,66 pol. x 7,68 pol.)	
Peso de Produto	Versão CA: 1,2 kg (2,6 lb) Versão de bateria: 1,5 kg (3,3 lb.)	Versão CA: 2,2 kg (4,9 lb) Versão de bateria: 2,5 kg (5,5 lb.)

Especificações	IND231	IND236
Peso de Expedição	2,0 kg	3,0 kg
Proteção Ambiental	IP54	IP66/67
Ambiente de Operação	Variação de temperatura de operação: -10 °C a +40 °C Variação de temperatura de armazenamento: -20 °C a +60 °C Umidade relativa: 10-95%, sem condensação.	
Áreas Perigosas	O terminal não pode ser operado em áreas classificadas como perigosas devido a atmosferas de combustíveis ou explosivos nessas áreas. Fale com o representante autorizado METTLER TOLEDO para obter informações sobre aplicações em áreas perigosas.	
Potência	Versão CA: Opera a 85-264 V CA, 49-61 Hz, e inclui um cabo de energia para o país de uso. Versão de bateria: Seis pilas alcalinas AA ou bateria recarregável NiMH (cerca de 120 horas por uma célula de carga)	
		Versão de bateria: bateria NiMH recarregável (sobre 120 horas para uma célula de carga)
Display	LCD com caracteres de 40 mm de altura, sete dígitos e sete segmentos com backlight branca, incluindo display de peso, unidades de peso, indicação de líquido/bruto e símbolo para movimento, centro de zero e aplicações variáveis.	
Display de Peso	Resolução máxima exibida de 30.000 divisões	
Tipos de Balança	Células de carga analógicas	
Número de Células	Até quatro células de carga de 350 ohm (2 ou 3 mV/V)	
Número de Balanças	Um	
Taxas de Atualização Analógicas/Digitais	Analógica interna: 80 Hz	
Tensão de Excitação da Célula de Carga	5 V CC	
Sensibilidade Mínima	0,5 µV/e	
Teclado	Sete teclas: Zerar, Tara, Limpar, Ligar/Desligar, Imprimir, F1 e F2 (configurável)	
Opções de Comunicação	Interfaces seriais Padrão: uma porta serial (COM1) RS-232, 1.200 a 115.200 baud Porta serial isolada opcional: (COM2) RS-232/422/485, 1.200 a 115.200 baud Interface de E/S digital Porta digital de E/S opcional: 2 entradas/4 saídas Interface USB Porta de dispositivo USB opcional Protocolo Entradas seriais: Comandos ASCII para CTPZ (Limpar, Tara, Imprimir, Zerar), SICS (a maioria dos comandos nível 0 e nível 1)	

Especificações	IND231	IND236
Aplicação	Zerar, Tara, Imprimir, X10, Data e hora, Pesagem básica, Pesagem de animais, Contagem com aprimoramentos de peso médio de peça, Verificação de excesso ou falta de peso com banco de dados de dez registros, Acúmulo, Display remoto	
Aprovações	<p>Pesos e medidas</p> <p>EUA: NTEP Classe III/IIIL - 10.000d; Cert. 14-049,</p> <p>Canadá: Classe III - 10.000d; Classe IIIHD - 20.000d,</p> <p>Europa: Classe III, 2 x 3000e e 6000e; TC8351, T5976</p> <p>OIML: Classe III, 2 x 3000e e 6000e; R76/2006-NL1-13.06</p> <p>Segurança de produto</p> <p>UL, cUL, CE</p>	
Acessórios	Suporte de montagem em parede, coluna e mesa.	

1.4. Identificação de Modelo

O número de modelo, o número de fábrica e o número serial IND231/IND236 estão localizados na placa de dados do terminal. Consulte a Figura 1-1 para verificar a configuração do terminal IND231/IND236 quando ele sai da fábrica da METTLER TOLEDO.

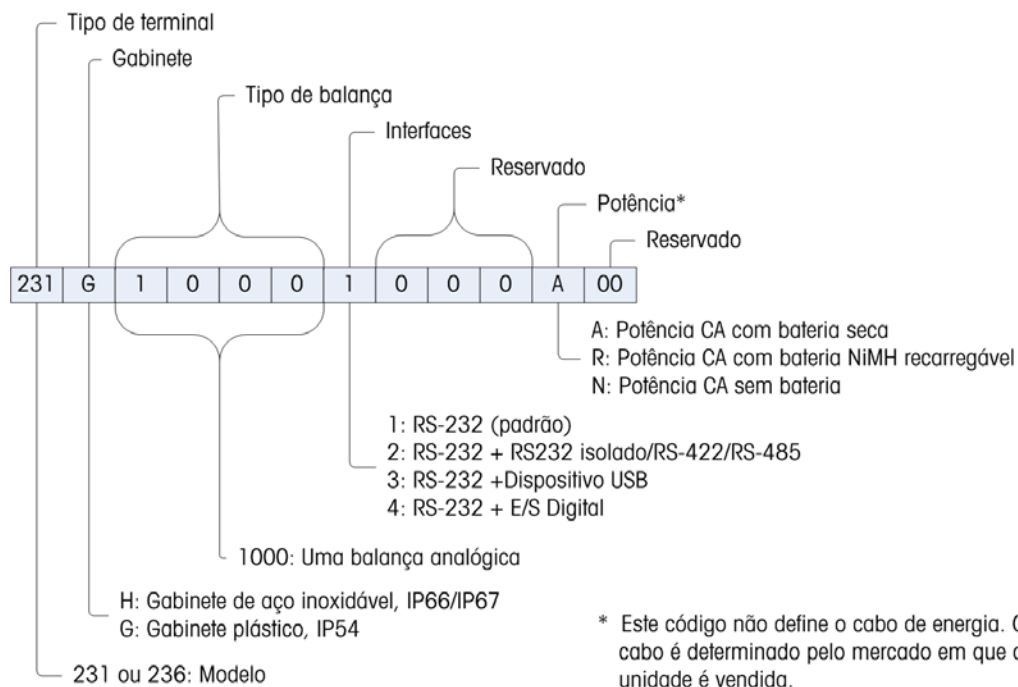


Figura 1-1: Gráfico de Configuração do IND231

1.5. Inspeção e Lista de Verificação de Conteúdo

Verifique o conteúdo e inspecione a embalagem imediatamente após a entrega. Se a embalagem de remessa estiver danificada, verifique se há danos internos e, se necessário, preencha uma reclamação na transportadora. Se a embalagem não apresentar danos, retire o terminal da embalagem de proteção, observando como o produto está embalado e verificando se há componentes danificados.

Se for necessário transportar o terminal, é melhor utilizar a embalagem original de transporte. É necessário embalar corretamente o terminal para assegurar que ele seja transportado com segurança.

A embalagem deve incluir o seguinte:

- Terminal IND231 ou IND236
- Manual de instalação (ou Instruções de segurança)
- Cabo de energia
- Sacola de peças misturadas
- Manual de usuário (ou CD de recursos)
- Pacote de bateria (versão de bateria apenas)
- Suportes de montagem (1)

1.6. Dimensões Físicas

As dimensões físicas do gabinete IND231/IND236 são exibidas na Figura 1-2 e Figura 1-3 em mm e [polegadas].

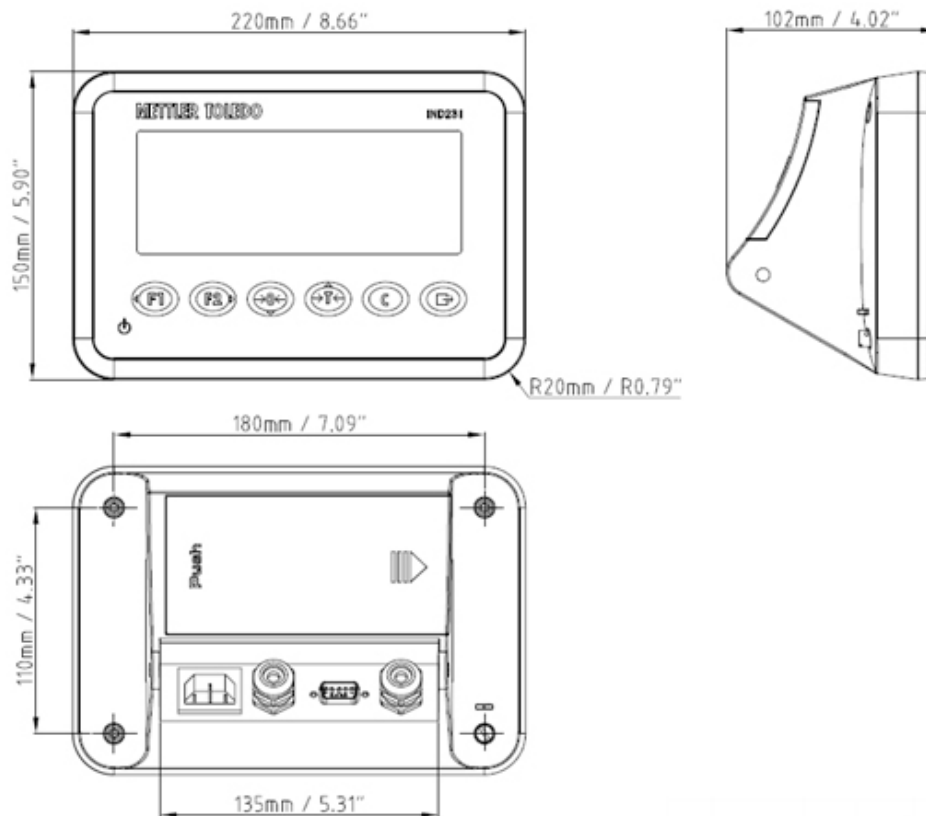


Figura 1-2: Dimensões de gabinete de IND231

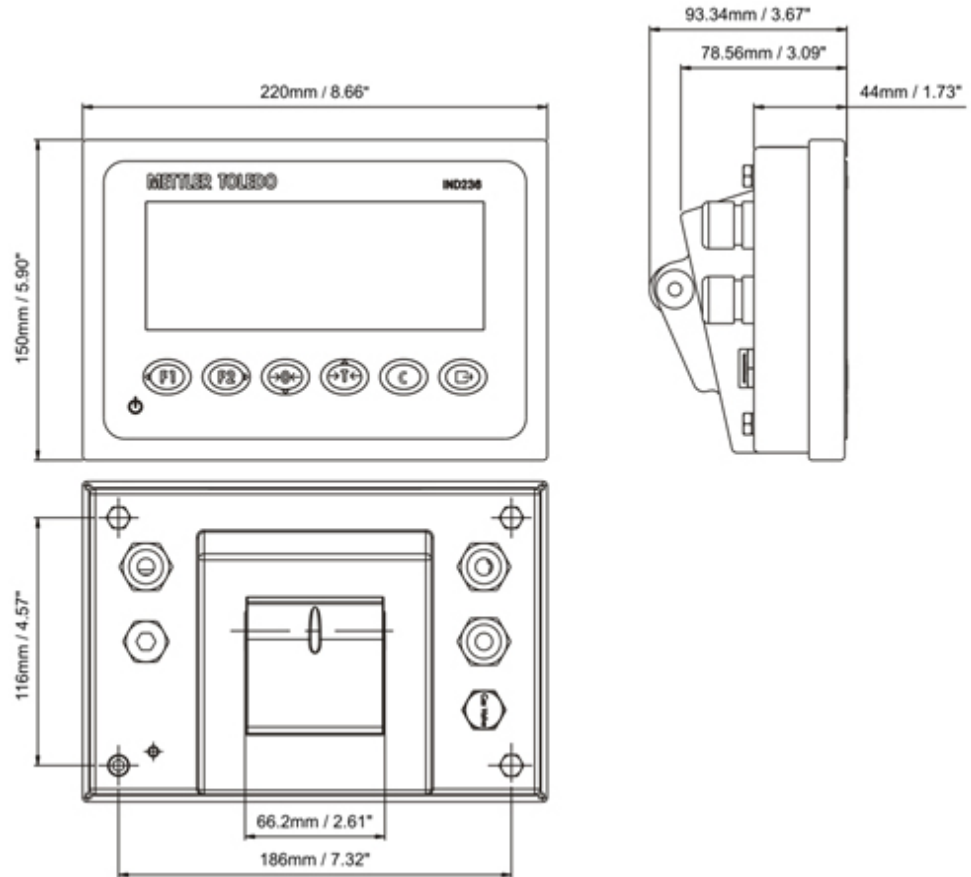


Figura 1-3: Dimensões do gabinete do IND236

1.7. Placa Principal

A placa de circuito impresso principal IND231/IND236 fornece a interface da balança de célula de carga analógica, bem como a porta serial COM1 RS-232. A porta serial COM1 RS-232 permite comunicações bidirecionais em velocidades de até 115200 bps. Essa porta pode ser utilizada para salvar dados de configuração de terminal em um PC através da ferramenta InSite® SL.

A placa principal também contém a conexão de entrada de CC, interface de display, interface de teclado e porta de interface para as opções.

Uma placa de alimentação CA/CC alimenta o terminal com saída CC +12 V/1 A.

Uma placa de carga opcional é incluída com a versão alimentada por bateria recarregável.

1.8. Bases da Balança

O terminal IND231/IND236 oferece suporte a bases de balança analógica e fornece 5 V de excitação para promover células de carga analógicas. Até quatro células de carga de 350 Ω podem ser alimentadas pelo terminal.

É fornecida uma conexão de célula de carga de quatro a seis fios, com linhas de sensor para ajudar a manter precisão à medida que a resistência do cabo de célula de carga é modificada em decorrência das variações de temperatura.

1.9. Opções

Três tipos de interface de opções podem ser montadas na COM2. As especificações de pinos de conexão são impressas na placa.

As opções a seguir estão disponíveis para IND231 e IND236.

1.9.1. Interface Serial Isolada RS232/RS422/RS485

Esta porta opcional fornece a comunicação RS-232 e RS-422/485, que pode ser configurada na instalação. A porta é bidirecional e pode ser utilizada para diversas funções como imprimir, imprimir automaticamente, saída contínua da Toledo ou comunicações SICS.

A porta COM2 é galvanicamente isolada para RS-232 e RS-485, para fornecer proteção de surto de tensão .

A conexão RS-485 pode ser utilizada como uma transmissão RS-422 apenas, ao enviar saída contínua a um display de pontuação ou display remoto.

A interface RS422/485 é necessária para transmissão de dados com taxa baud mais veloz em distâncias mais longas de até 500 metros.

As definições de comunicação podem ser configuradas no menu de configuração de terminais.

1.9.2. E/S Discreta

A opção de interface E/S discreta fornece quatro saídas de relé de contato seco. Os contatos do relé chegam a 30 V CC ou 250 V CA a 1 A.

As duas entradas podem ser selecionadas através de chaves selecionáveis como ativas (para o simples controle de um botão) ou passivas (para conectar a outros dispositivos que forneçam sua própria energia para as entradas).

1.9.3. USB

A porta USB fornecida é uma ponte de dispositivos UART-USB que atua como porta COM virtual e é usada para comunicação de dados seriais para dispositivos como um PC. A porta é bidirecional e pode ser configurada para várias funções como imprimir, imprimir automaticamente, saída contínua da Toledo ou comunicações SICS. Teclados externos USB e scanners de código de barras não são suportados.

1.10. Display e Teclado

O IND231/IND236 usa um display LCD com segmento de tipo transreflectivo com backlight branca. A altura do principal caractere é 40 mm. O painel frontal, incluindo display e teclado, é mostrado na Figura 1-4. A diferença de teclado apenas entre IND231 e IND236 é o nome no canto superior direito do terminal.

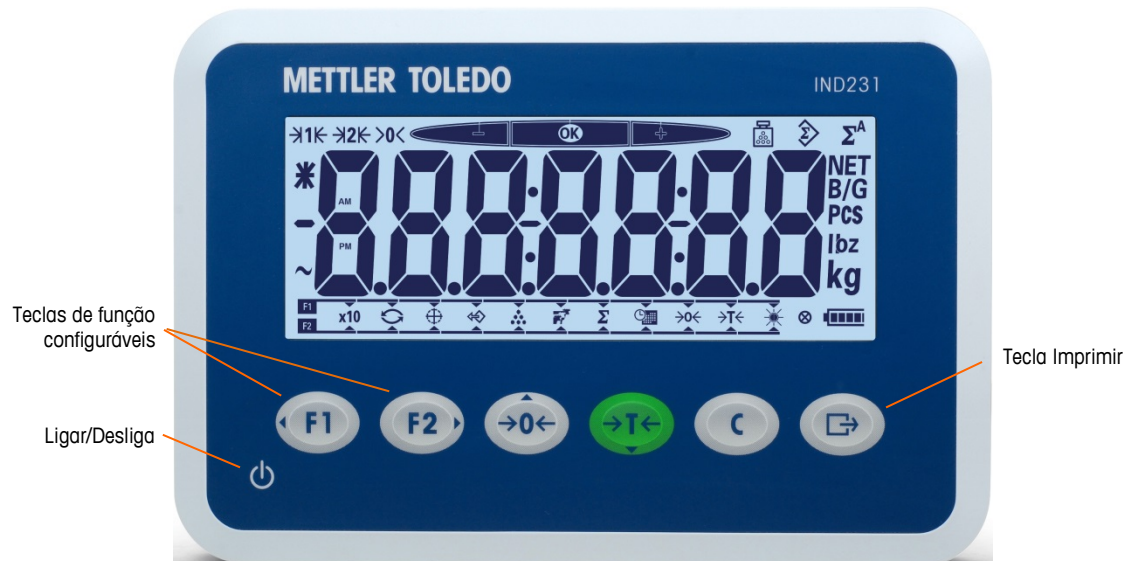


Figura 1-4: Layout de Painel Frontal do IND231

1.10.1. Layout do Display

No topo do display, uma linha de sistema única exibe status de terminal como um número de faixas, centro de zero, status de pesagem de verificação, contagem, acúmulo e acúmulo automático.

Abaixo da linha de sistema está o bloco de exibição de peso. Durante a operação de pesagem normal e básica, o display do terminal mostra o peso bruto ou líquido em tamanho maior de 40 mm (1,57 pol.). Quando uma das aplicações estiver em execução, mensagens ou caracteres de índice de menu também são mostrados em uma altura de 40 mm (1,57 pol.). À direita do display de peso, temos uma coluna vertical exibindo os símbolos bruto e líquido, um símbolo de peça média e unidades de peso. O símbolo de estrela, símbolo de menos e símbolo dinâmico aparecem em uma coluna à esquerda do bloco de exibição de peso.

Na base do display de peso básico normal, temos um bloco usado para as funções de atribuição para **F1** e **F2**. Para operação de display e teclado durante configuração, consulte o Capítulo 3 do Guia do Usuário, Configuração.

1.10.2. Teclas do Painel Frontal

A interface do operador de terminal IND231/IND236 fornece um total de sete teclas de membranas. A tecla de impressão e cinco teclas de função de balança (três funções fixas, duas com funções configuráveis) são posicionadas sob o display.

As setas nas primeiras quatro teclas indicam seu uso na navegação de menus.

A tecla LIGAR/DESLIGAR está localizada no canto inferior esquerdo do display. Essas teclas são usadas para entrar no menu de configuração, navegar e selecionar elementos de configuração conforme descrito no Capítulo 2 do **Guia do Usuário, Operação**.

2 Instalação

Este capítulo cobre

- Como Abrir o Gabinete
- Proteção Ambiental
- Montagem do Terminal
- Instalação de Cabos e Conectores
- Instruções para a Etiqueta de Capacidade
- Fechamento do Gabinete
- Lacre do Gabinete

Este capítulo fornece instruções de instalação para o terminal IND231/IND236. Leia esses procedimentos na íntegra antes de iniciar a instalação.

Essa seção inclui detalhes sobre como abrir e montar o gabinete, e explica como instalar cabos e a placa. Também são fornecidas as instruções para etiquetagem, fechamento e lacre do gabinete.

2.1. Como Abrir o Gabinete

ATENÇÃO

ANTES DE CONECTAR/DESCONECTAR QUALQUER COMPONENTE ELETRÔNICO INTERNO OU FIAÇÃO DE INTERCONEXÃO ENTRE EQUIPAMENTOS ELETRÔNICOS SEMPRE DESLIGUE A ALIMENTAÇÃO E ESPERE PELO MENOS TRINTA (30) SEGUNDOS ANTES DE FAZER QUALQUER CONEXÃO OU DESCONEXÃO. SE ISTO NÃO FOR FEITO, PODEM OCORRER LESÕES CORPORAIS. SE ESTAS PRECAUÇÕES NÃO FOREM SEGUIDAS, PODEM OCORRER DANOS OU DESTRUIÇÃO DO EQUIPAMENTO E/OU LESÕES CORPORAIS.

O painel frontal do terminal IND231/IND236 é fixado no local por quatro parafusos que o prendem à parte posterior do gabinete. Para acessar a placa do terminal para instalar opcionais, conectar a fiação interna e configurar as chaves, separe o painel frontal do gabinete da seguinte forma:

1. Para o IND231, use uma chave de fenda T-20 para prender três dos parafusos. Use uma chave de fenda para soltar o parafuso de lacre, indicado na Figura 2-1.



Figura 2-1: Parafusos do IND231 (esquerda) e Parafuso de Lacre do IND236 (direita)

2. Para o IND236, use uma chave de caixa de 10 mm para soltar três dos parafusos. Use uma chave de fenda para parafuso Allen de 5 mm para soltar o parafuso de lacre, como indicado

na Figura 2-2. Observe que os parafusos são prisioneiros e permanecem conectados à tampa posterior do IND236.



Figura 2-2: Abertura dos Gabinetes – IND231 (esquerda) e IND236 (direita)

3. Separe o gabinete frontal do gabinete posterior, como mostrado na Figura 2-3.

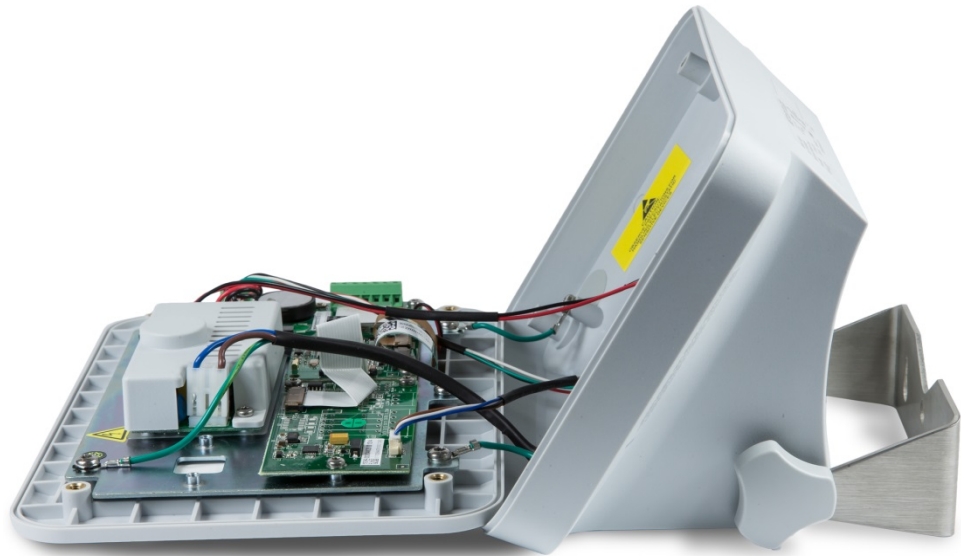


Figura 2-3: Remoção da Tampa

2.2. Proteção Ambiental



ADVERTÊNCIA!

O TERMINAL IND231/IND236 NÃO FOI PROJETADO PARA USO EM ÁREAS CLASSIFICADAS COMO PERIGOSAS DEVIDO A ATMOSFERAS COMBUSTÍVEIS OU EXPLOSIVAS. NÃO INSTALE UM IND231/IND236 EM UM AMBIENTE EXPLOSIVO.

O terminal IND231/IND236 foi projetado para uso industrial padrão. O IND231 foi testado e atendeu aos padrões IP54. O IND236 atende aos requisitos de IP66/IP67.

2.3. Montagem do Terminal

O terminal pode ser posicionado em uma mesa, conectado a uma superfície vertical ou preso a uma coluna. Monte o terminal onde seja possível ter uma boa visualização, e o teclado do terminal fique facilmente acessível.

2.3.1. Montagem do IND231

2.3.1.1. Montagem em Mesa

O IND231 tem dois pés de borracha autoaderentes (Figura 2-4) conectados a uma base do gabinete para evitar deslizamento.



Figura 2-4: IND231 – pés de borracha

2.3.1.2. Montagem em Parede ou Montagem em Coluna

Um suporte de montagem e dois puxadores de aperto estão incluídos no IND231. Eles podem ser utilizados para montar o terminal em uma coluna ou uma superfície vertical.

1. Use dois puxadores manuais de suporte para conectar o suporte à base do terminal, como mostrado na Figura 2-5.



Figura 2-5: Suporte e Puxadores de Aperto

2. O suporte permite uma ampla variedade de ajustes, como mostrado na Figura 2-6.

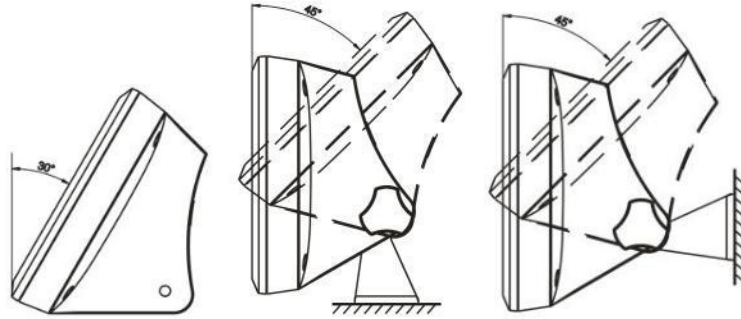


Figura 2-6: Ajuste do Suporte para Montar em Parede ou Coluna

3. Marque a posição dos orifícios de montagem do suporte na superfície em que o terminal será montado usando as dimensões mostradas na Figura 2-7, ou elevando o terminal até a superfície e marcando orifícios de suporte.

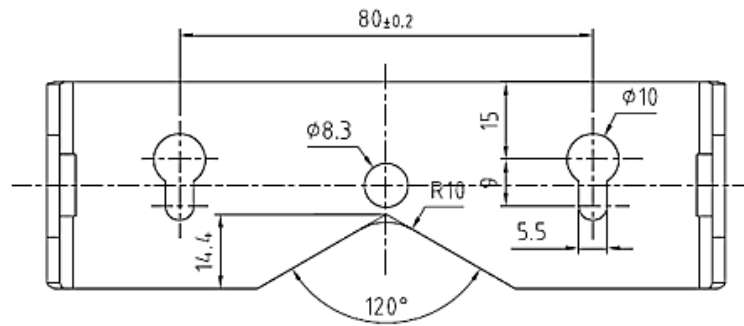


Figura 2-7: Modelo de Padrão de Orifício para os Suportes de Montagem

4. O material para montar o suporte terminal não está incluído com o terminal, ele deve ser obtido localmente. Garanta que o material de montagem seja capaz de sustentar o peso do terminal, que é de aproximadamente 2,0 kg (4,4 lb.). Usando o material obtido localmente, prenda o suporte de terminal à superfície.

2.3.2. Montagem do IND236

2.3.2.1. Montagem em Mesa

Quando o terminal IND236 for ser montado em uma superfície plana, um suporte de montagem em mesa opcional (PN: 22021070) está disponível para compra.

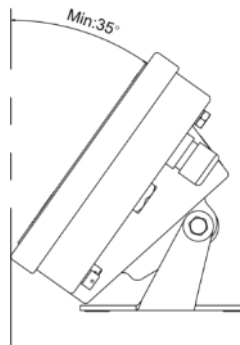


Figura 2-8: O IND236 com Suportes de Montagem em Mesa

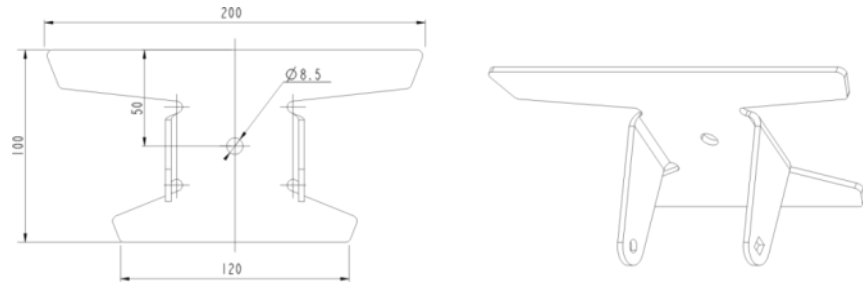


Figura 2-9: Dimensões de Suporte em Mesa do IND236

2.3.2.2. Montagem em Parede ou Montagem em Coluna

Um suporte de montagem está incluído no IND236. Ele pode ser utilizado para montar o terminal em uma coluna ou superfície vertical. O suporte permite uma ampla variedade de ajustes, como mostrado na Figura 2-10.

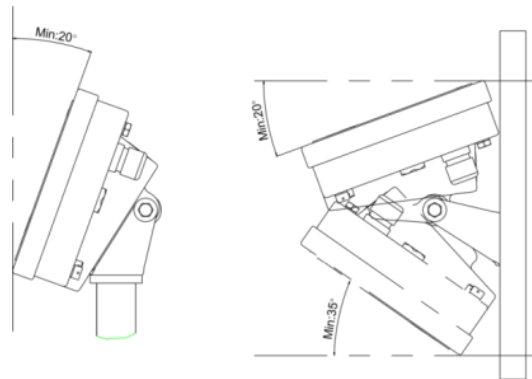


Figura 2-10: IND236 Montado em Coluna (Esquerda) e Parede (Direita)

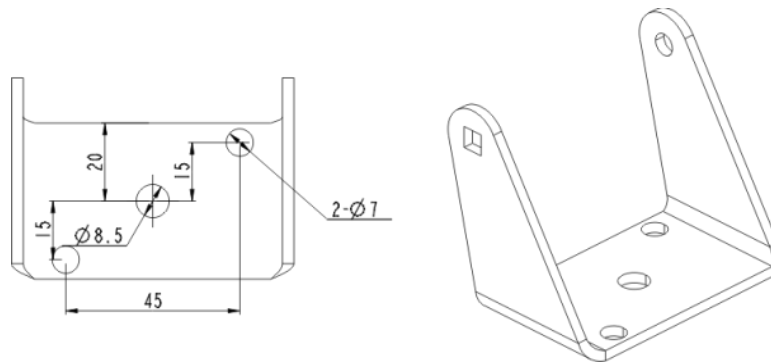


Figura 2-11: Dimensões de Suporte de Coluna e Parede do IND236

2.4. Instalação de Cabos e Conectores

Informações para instalar cabos e conectores no terminal IND231/IND236 são fornecidas nesta seção, incluindo o seguinte:

- Conectores e prensa-cabos
- Atribuições de abertura do gabinete

- Identificação da placa principal
- Conexões elétricas da placa principal
- Conexão de energia CA
- Conexões da placa de carga e pacote de baterias recarregáveis
- Conexão analógica da célula de carga
- Conexão de porta serial COM1
- Conexões elétricas para opcionais

2.4.1. Conectores e Prensa-Cabos

O IND231 utiliza o soquete de energia padrão (IEC320 C14) e os conectores DSUB-9 para comunicação RS-232. Prensa-cabos são utilizados para conexões de célula de carga e opcionais.

O terminal IND236 foi projetado para suportar ambientes altamente úmidos. No entanto, é necessário ter cuidado ao instalar cabos e/ou conectores que entrem no gabinete do terminal. Para garantir uma vedação impermeável:

- Antes de conectar fios, passe os cabos através de um prensa-cabo de tamanho apropriado. A Figura 2-12 mostra um prensa-cabo com seu grampo removido.

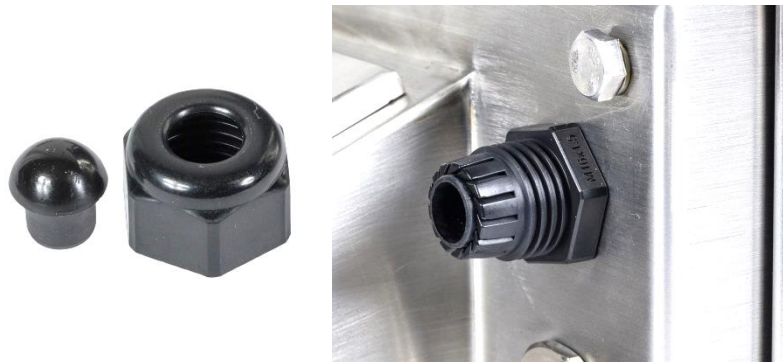


Figura 2-12: Prensa-Cabos

- Dependendo do diâmetro do cabo a ser instalado, selecione (Tabela 2-1) um dos anéis de borracha (se necessário) para vedar corretamente em torno do cabo.

Tabela 2-1: Tamanhos de Prensa-cabos, Anéis e Cabos

Anel	Diâmetro do cabo	
	Prensa-cabos da célula de carga IND231	Prensa-cabos e opções do IND236
Nenhum	4-8 mm	5-10 mm
Pequeno anel	3-6,5 mm	4,5-6,8 mm

- Ao fazer terminações de cabo dentro do gabinete, certifique-se de que o tamanho do cabo flat de terminais/conector até o gabinete do terminal seja suficiente para que não haja nenhuma tensão no conjunto do conector quando o gabinete estiver em uma posição totalmente aberta.

- Depois de fazer conexões de fiação descritas na próxima seção, certifique-se de que a porca no prensa-cabo esteja bem apertada para vedar em torno do cabo. A vedação deve ser impermeável.

2.4.1.1. Atribuições de Abertura do Gabinete

A Figura 2-13 mostra as aberturas no gabinete IND231.

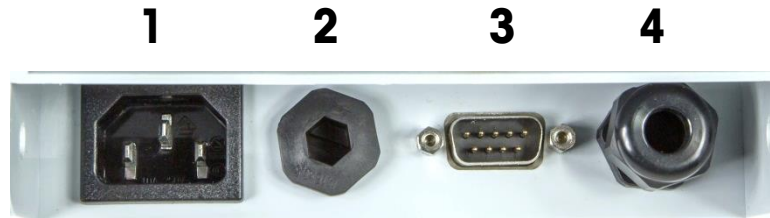


Figura 2-13: Aberturas no Gabinete IND231

A Figura 2-14 mostra as aberturas no gabinete IND236, e a Tabela 2-2 indica a atribuição de cada abertura.



Figura 2-14: Aberturas no Gabinete IND236

Tabela 2-2: Atribuições de Conectores e Prensa-Cabos

Posição	Atribuição			
	Conexão padrão	Conexão opcional		
1	Cabo de energia CA	-		
2	Nenhum (porta opcional)	RS-232/422/485 isolada	USB	E/S discreta
3	COM1 (RS-232)	-		
4	Cabo da célula de carga	-		

2.4.2. Identificação da Placa Principal

As placas de circuito terminal IND231/IND236 são todas montadas no conjunto de suporte da placa principal. A placa de conexão CA só é necessária para o IND236. A placa de carga só é utilizada para terminais alimentados por um pacote de baterias recarregáveis. As placas opcionais são todas montadas no mesmo local. A Figura 2-15 mostra a localização de cada tipo de placa.

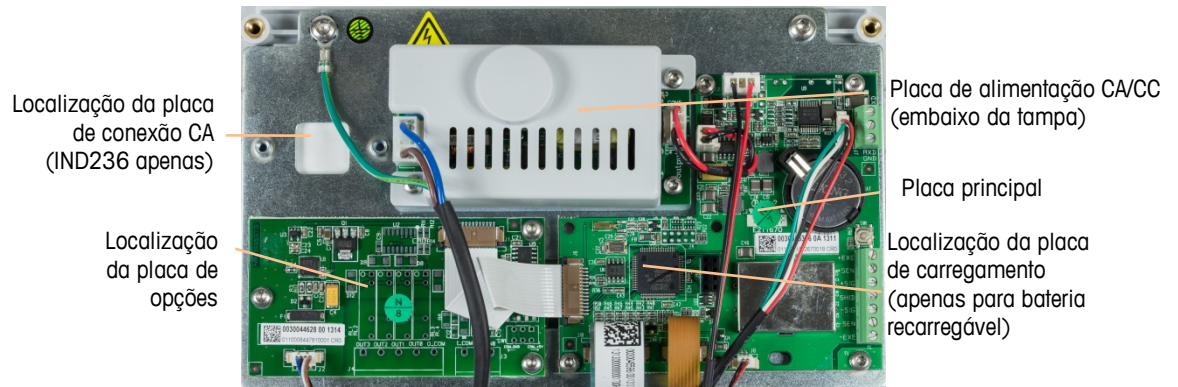


Figura 2-15: Localizações das Placas

2.4.3. Conexões Elétricas da Placa Principal

A Figura 2-16 mostra a atribuição dos conectores na placa principal. Conecte os cabos aos soquetes corretos.

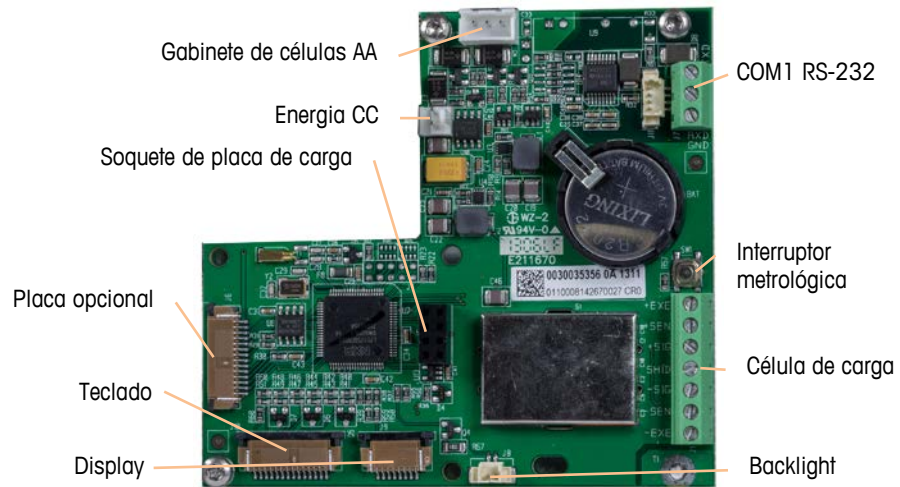


Figura 2-16: Conexões de Placa Principal

A interruptor metrológica é uma chave de contato momentâneo. Quando pressionado, o terminal insere a configuração no menu de configurações da Balança F1, onde os parâmetros da balança podem ser configurados. **Esse é o único método para alterar os parâmetros da balança em um terminal aprovado.** Consulte as seções **Entrar no Modo de Configuração** e **Balança | Aprovação de Tipo** no Capítulo 3 no **Manual do usuário, Configuração**, para mais detalhes.

2.4.5. Conexão Analógica da Célula de Carga

AVISO

PARA EVITAR DANOS À PLACA DE CIRCUITO IMPRESSO OU À CÉLULA DE CARGA, DESLIGUE A ALIMENTAÇÃO DO TERMINAL IND231/IND236 E AGUARDE PELO MENOS 30 SEGUNDOS ANTES DE CONECTAR OU DESCONECTAR QUALQUER CHICOTE ELÉTRICO.

As conexões da célula de carga são efetuadas no conector de célula de carga na placa principal, indicada na Figura 2-16.

O terminal IND231/236 é projetado para alimentar até quatro células de carga de 350 ohms (ou uma resistência mínima de aproximadamente 87 ohms). Para confirmar que a carga da célula de carga desta instalação esteja dentro dos limites, a resistência total da balança (TSR) deve ser calculada da seguinte forma:

$$TSR = \frac{\text{Resistência de entrada da célula de carga (Ohms)}}{\text{Número de células de carga}}$$

Antes de conectar as células de carga, certifique-se de que a TSR da rede de células de carga a ser conectada ao IND231/IND236 tenha uma resistência superior ao mínimo mencionado acima. Se a resistência estiver abaixo do mínimo, o IND231/IND236 não operará devidamente.

Além disso, a distância máxima do cabo deve ser revisada. A Tabela 2-3 fornece comprimentos de cabos recomendados baseados na TSR e na bitola do cabo.

Tabela 2-3: Os Comprimentos Máximo Recomendado de Cabos

TSR (Ohms)	Bitola 24 (metros/pés)	Bitola 20 (metros/pés)	Bitola 16 (metros/pés)
350	243/800	610/2000	1219/4000
87 (células 4-350 Ω)	60/200	182/600	304/1000

O terminal IND231/IND236 é projetado para oferecer suporte a células de carga de 2 mV/V e 3 mV/V no mesmo circuito. Não é preciso ter um jumper de seleção da potência nominal de saída da célula de carga.

A Tabela 2-4 e a Figura 2-19 mostram as definições de terminais para o cabo flat de terminais da célula de carga analógica. Observe que ao usar as células de carga de quatro fios, os jumpers devem ser colocados entre os terminais +Excitação e +Sensor –Excitação e –Sensor.

Tabela 2-4: Atribuição de pinos de terminação da célula de carga

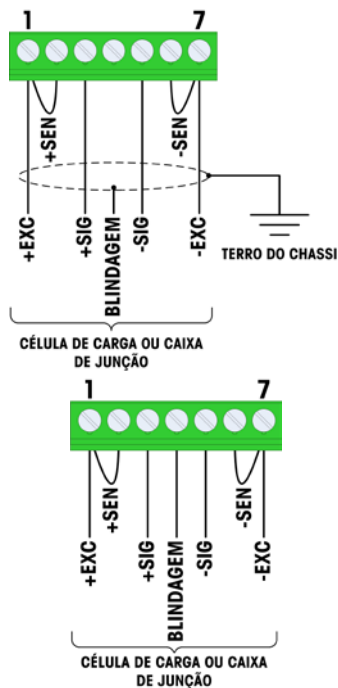
Pino	Sinal
1	+EXC
2	+SEN
3	+SIG
4	Blindado
5	-SIG
6	-SEN

Pino	Sinal
7	-EXC

Células de quatro fios

NOTAS

1. USE SEIS FIOS BLINDADOS CONDUTORES PARA O CABO DE CONEXÃO DIRETA
2. CÉLULAS DE QUATRO FIOS ÚNICOS: JUMPER +EXC PARA +SEN E JUMPER -EXC PARA -SEN EM TERMINAIS IND231/IND236
3. CÉLULAS DE CARGA DE QUATRO FIOS MÚLTIPLOS: JUMPER +EXC PARA +SEN E JUMPER -EXC PARA -SEN EM TERMINAIS DE ENTRADA DA CAIXA DE JUNÇÃO
4. TAMANHO DO FIO: 18 AWG (0,823 mm²) MÁX. 24 AWG (0,205 mm²) MÍN.



Células de seis fios

NOTAS

1. USE SEIS FIOS BLINDADOS CONDUTORES PARA O CABO DE CONEXÃO DIRETA
2. TAMANHO DO FIO: 18 AWG (0,823 mm²) MÁX. 4 AWG (0,205 mm²) MÍN.

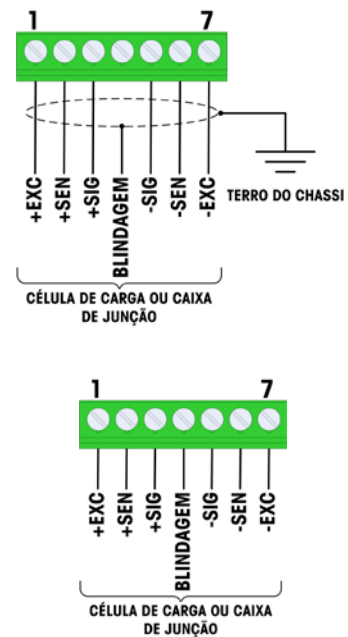


Figura 2-19: Terminação da célula de carga, terra do chassi (topo) e pino terra (base)

- Ao usar o cabo padrão de quatro fios, se um aumento na carga resultar em uma diminuição no display de peso, reverta os fios de sinal (+SIG e -SIG).

2.4.5.1. Instalação de ferrite e blindagem da célula de carga analógica

Existem dois métodos para finalizar a blindagem do cabo da Célula de Carga Analógica no aterramento do chassi ou no pino-terra do conector. Os dois métodos são ilustrados abaixo.

Nos dois métodos, para atender a determinados limites de emissão de ruído elétrico e para proteger o IND231/IND236 de influências externas, um núcleo de ferrite deve ser instalado no cabo da célula de carga conectado ao terminal. O núcleo de ferrite é incluído no terminal básico.

2.4.5.1.1. IND231 – Conexão ao Conector da Célula de Carga

Quando o cabo da célula de carga conectado tiver um fio conectado à blindagem, ele pode ser terminado no pino central do conector da célula de carga.

1. O cabo da célula de carga é direcionado para o gabinete como indicado na Figura 2-20.



Figura 2-20: Instalação de Ferrite e Pino Terra da Célula de Carga Analógica, IND231

- Note-se que o fio de blindagem não passar pelo ferrite.
2. Coloque a ferrite sobre o cabo da célula de carga como indicado.
 3. Conecte os fios da célula de carga ao conector na placa-mãe. Consulte o código de cores dos fios da célula de carga sendo conectados e a Figura 2-19.
 4. Use uma amarração de fios para prender os fios no fio da dobradiça de metal do gabinete.

2.4.5.1.2. IND231 – Conexão ao Terra do Chassi

Quando o cabo da célula de carga sendo conectado não tiver um fio conectado à blindagem, a blindagem deve ser terminada no terra do chassi, usando o procedimento a seguir.

1. O cabo da célula de carga entra no gabinete através do prensa-cabo indicado na Figura 2-23.
2. Prepare o cabo da célula de carga removendo a capa externa e aparando o fio de blindagem externo como mostrado na Figura 2-21.



Figura 2-21: Cabo da Célula de Carga com a Blindagem Externa Removida, Fio Blindado Cortado

3. Dobre o fio de blindagem para trás sobre a capa externa do cabo.



Figura 2-22: Cabo da Célula de Carga com Fio de Blindagem Dobrado para Trás

4. O clipe de aterramento fornecido com o terminal é utilizado para conectar a blindagem exposta (Figura 2-22) a uma placa de montagem de metal usando o parafuso de fixação da dobradiça de metal do gabinete, como mostrado na Figura 2-23.
5. A ferrite fornecida com o terminal é colocada sobre a extremidade final do cabo e os fios conectados ao conector de célula de carga. Consulte o código de cores dos fios da célula de carga sendo conectados e a Figura 2-19.

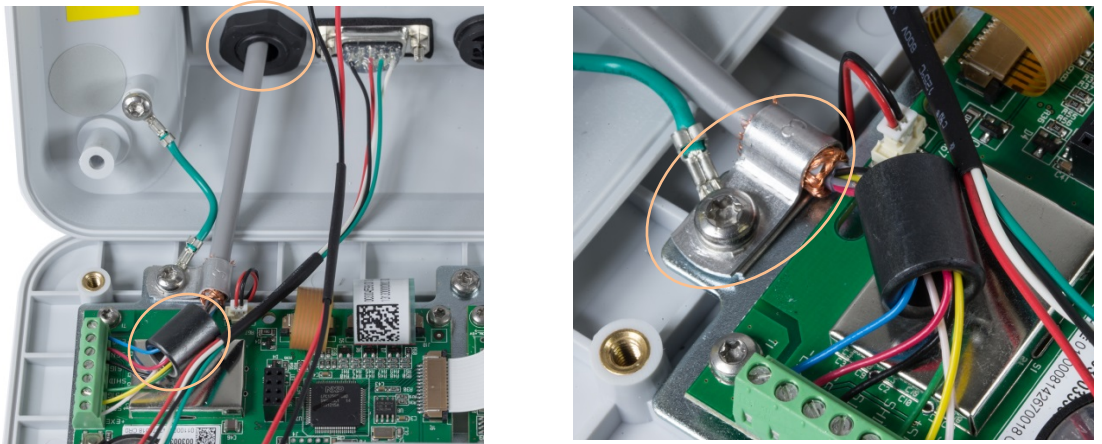


Figura 2-23: Instalação da Ferrite do Cabo da Célula de Carga Analógica e do Terra do Chassi, IND231

2.4.5.1.3. IND236 – Conexão ao Conector da Célula de Carga

Quando o cabo da célula de carga conectado tiver um fio conectado à blindagem, ele pode ser terminado no pino central do conector da célula de carga.

1. O cabo da célula de carga passa pelo gabinete através do prensa-cabo como indicado na Figura 2-24.



Figura 2-24: Instalação de Ferrite e Pino Terra da Célula de Carga Analógica, IND236

- Note-se que o fio de blindagem não passar pelo ferrite.
2. Coloque a ferrite sobre a extremidade do cabo da célula de carga e conecte os fios da célula de carga ao conector na placa-mãe. Consulte o código de cores dos fios da célula de carga sendo conectados e a Figura 2-19.
 3. Use duas amarrações de fios para prender juntos os fios do cabo da célula de carga aos fios de dobradiças do gabinete.

2.4.5.1.4. IND236 – Conexão ao Terra do Chassi

Quando o cabo da célula de carga sendo conectado não tiver um fio conectado à blindagem, a blindagem deve ser terminada no terra do chassi, usando o procedimento a seguir.

1. O cabo da célula de carga passa pelo gabinete através do prensa-cabo como indicado na Figura 2-27.
2. Prepare o cabo da célula de carga removendo a capa externa e aparando o fio de blindagem externo como mostrado na Figura 2-25.



Figura 2-25: Cabo da Célula de Carga com a Blindagem Externa Removida, Fio Blindado Cortado

3. Dobre o fio de blindagem para trás sobre a capa externa do cabo.



Figura 2-26: Cabo da Célula de Carga com Fio de Blindagem Dobrado para Trás

4. Coloque o clipe de aterramento fornecido com o terminal sobre o fio de blindagem exposto (veja a Figura 2-26).

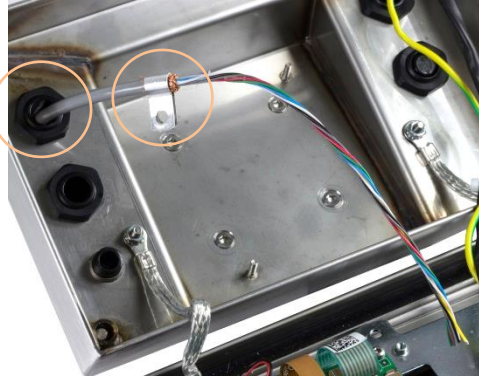


Figura 2-27: Cabo da Célula de Carga do Gabinete do IND236, com Clipe de Aterramento do Chassi

5. Conecte o clipe de aterramento usando o parafuso de fixação da dobradiça do gabinete, como mostrado na Figura 2-28 (esquerda).

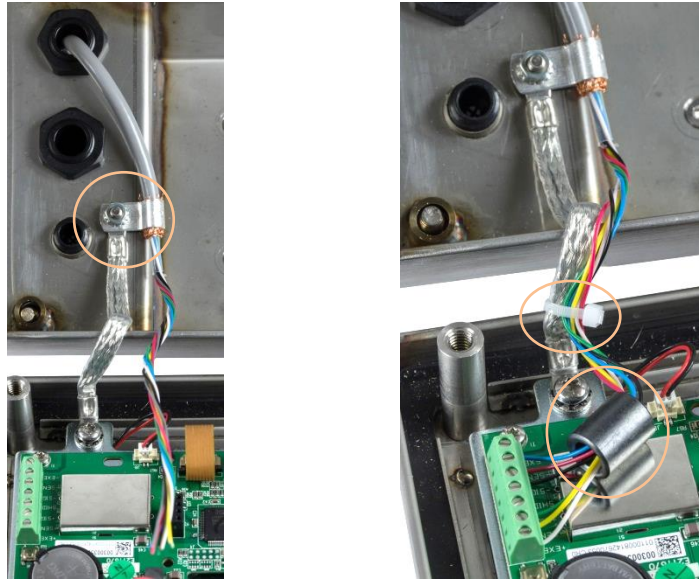


Figura 2-28: Instalação da Ferrite do Cabo da Célula de Carga Analógica e do Terra do Chassi, IND236.

6. Coloque a ferrite sobre o cabo da célula de carga como indicado.
7. Conecte os fios da célula de carga ao conector na placa-mãe. Consulte o código de cores dos fios da célula de carga sendo conectada, e a Figura 2-19.

8. Use uma amarração de fios para prender os fios no fio da dobradiça do gabinete.

2.4.6. Conexão de Porta Serial COM1

A porta COM1 (REF) fornece uma conexão RS-232 para dispositivos seriais externos. A Figura 2-29 e a Tabela 2-5 indicam que terminal transmite que sinais na porta COM1 (DSUB-9) do IND231.

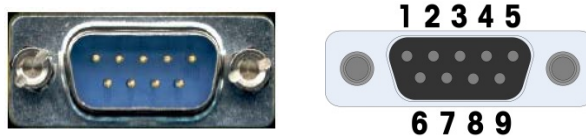


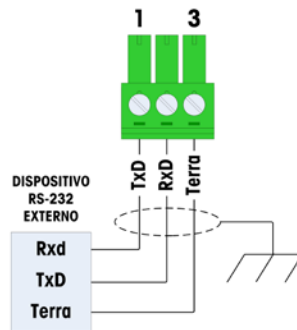
Figura 2-29: Porta COM1 do IND231

Tabela 2-5: Sinais da Porta COM1 do IND231

Terminal	Sinal	
Pino 2	RxD	Recepção da RS-232
Pino 3	TxD	Transmissão da RS-232
Pino 5	TER	Terra lógico

No IND236, o conector RS-232 está na placa-mãe (veja a Figura 2-16). O cabo de comunicação é inserido no gabinete através de um prensa-cabos (veja a Figura 2-14) e se conecta à porta COM1 na placa-mãe.

Um exemplo de conexão via RS-232 para equipamento externo é mostrado na Figura 2-30. Faça as conexões conforme necessário.



NOTAS:

1. COMPRIMENTO MÁXIMO DE CABO: 15 METROS (50 PÉS).
2. TAMANHO DO FIO: 18 AWG (0,823 mm²) MÁX. 24 AWG (0,205 mm²) MÍN.

Figura 2-30: Exemplo de Conexão COM1 do IND236

2.4.7. Conexões Elétricas para Opcionais

As opções para IND231/IND236 que requerem conexões externas incluem o seguinte:

- COM2 com RS-232/422/485 isolada
- Interface USB
- Interface de E/S discreta

2.4.7.1. COM2 com Opção RS-232/422/485 Isolada

A COM2 com a placa de opção RS-232/422/485 (Figura 2-31) fornece uma única porta serial isolada.

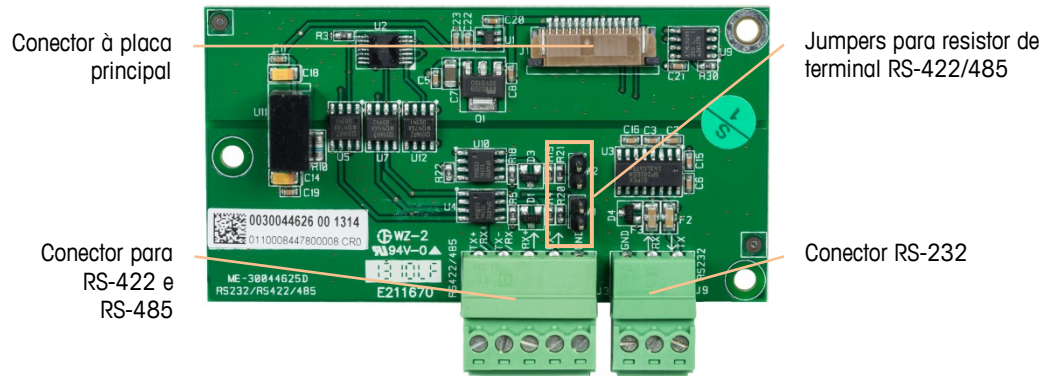


Figura 2-31: COM2 com RS-232/422/485

A porta COM2 fornece as conexões RS-232, RS-422 e RS-485. A conexão de hardware deve ser configurada na seção Comunicação da estrutura do menu de configuração – consulte o Capítulo 3 no **Manual do usuário, Configuração**. A Figura 2-33 e a Tabela 2-6 mostram os detalhes da conexão.

Os jumpers na placa (W1 e W2, indicados na Figura 2-31) são abertos por padrão. Eles permitem a conexão de um resistor de terminal de 120 ohm aos sinais RS-422 e RS-485 A/B. Se for necessário ativar o resistor do terminal, faça o curto-circuito dos jumpers como mostrado na Figura 2-32.

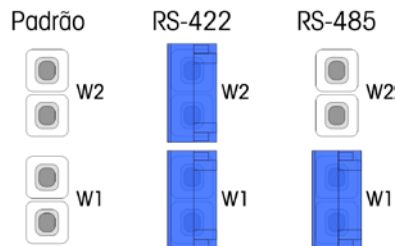


Figura 2-32: Posições de jumpers de COM2

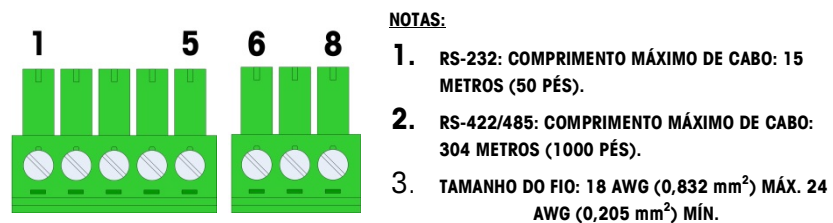


Figura 2-33: Sinais de porta COM2

Tabela 2-6: Atribuições de Pino de Porta Serial Isoladas

Terminal	Sinais	Descrição
Pino 1	TX/RX+	Dados de RS-485 A ou dados de transmissão RS-422 A
Pino 2	TX/RX-	Dados de RS-485 B ou dados de transmissão RS-422 B

Terminal	Sinais	Descrição
Pino 3	RX+	Dados de recepção RS-422 A
Pino 4	RX-	Dados de recepção RS-422 B
Pino 5	TER	Aterramento lógico para RS-422/485
Pino 6	TER	Aterramento lógico para RS-232
Pino 7	RX	Recepção de RS-232
Pino 8	TX	Transmissão RS-232

2.4.7.2. Opção de Dispositivo USB

Esta placa de opção fornece uma única porta de conector tipo B de mini-USB, mostrada na Figura 2-35. A porta de mini-USB é uma interface de tipo de dispositivo (não um host) e opera basicamente como uma porta serial. Um cabo mini-USB tipo B de combinação externa é necessário ao conectar a esta porta.

A porta é equipada com uma tampa que é aparafusada quando a porta ainda estiver em uso.

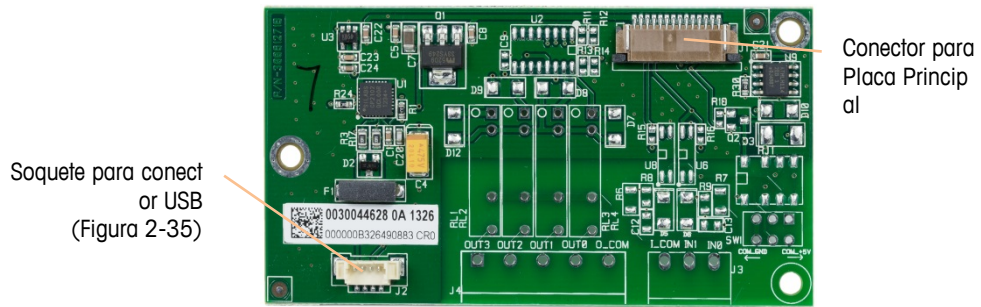


Figura 2-34: Placa de Opção USB

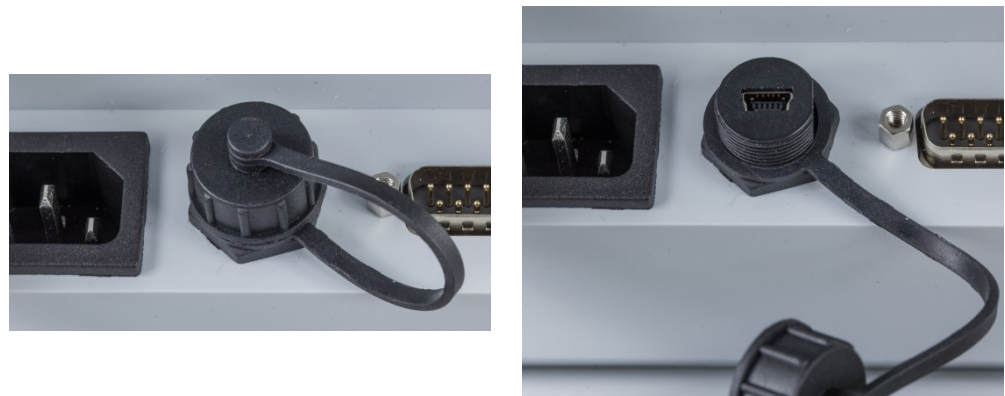


Figura 2-35: Tampa e Soquete de Mini USB

2.4.7.3. Opção de E/S Discreta

Esta placa de opção fornece duas entradas isoladas e quatro contatos secos, normalmente abertos, saídas de relé. As entradas podem ser seleccionadas como ativas ou passivas, dependendo da posição da chave deslizante indicada na Figura 2-36.



Figura 2-36: Placa de Opção de E/S Discreta

2.4.7.3.1. Chave de E/S Discreta

Uma chave na placa de E/S discreta é seleccionada se as entradas estiverem ativas ou passivas. Certifique-se de que a chave seja adequadamente definida antes de fazer a fiação para as entradas. A localização da chave e o posicionamento ativo/passivo foram mostrados na Figura 2-37.

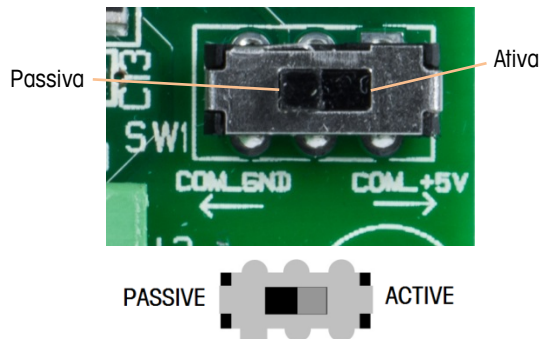
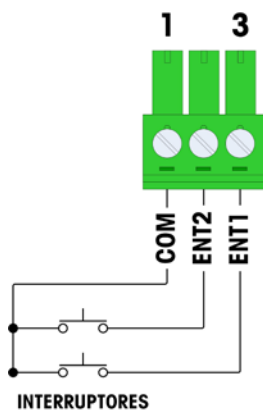


Figura 2-37: Chave de E/S Discreta

2.4.7.3.2. Entrada Ativa

Selecionar as entradas como ativas habilita a conexão das chaves ou outros dispositivos simples para disparar uma entrada. Nenhuma tensão é fornecida pelo dispositivo simples externo.

Um exemplo de como cabear para as entradas ativas é mostrado na Figura 2-38.



NOTAS:

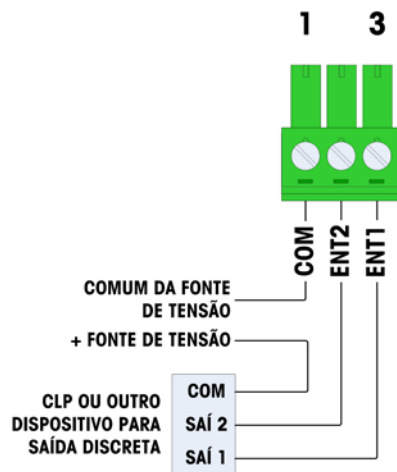
1. A TENSÃO É O NÍVEL LÓGICO DE 5 V CC. CONTATOS DE BAIXA RESISTÊNCIA SÃO RECOMENDADOS. COMPRIMENTO MÁXIMO DE CABO: 6 METROS /20 PÉS
2. NÃO PRENDA JUNTAS A FIAÇÃO DE ENTRADA COM A FIAÇÃO DE ENERGIA OU QUALQUER OUTRO CABO DE ALTA TENSÃO.
3. CHAVES PODEM SER SUBSTITUÍDAS POR CONTATOS SECOS DE RELÉ.
4. TAMANHO DO FIO:
18 AWG (0,832 mm²) MÁX.
24 AWG (0,205 mm²) MÍN.

Figura 2-38: Conexões de Entrada Ativa

2.4.7.3.3. Entrada Passiva

Selecionar as entradas como passivas permite que outros dispositivos, como CLPs forneçam, a tensão do acionador (normalmente de 12 V CC ou 24 V CC, máximo de 30 V CC) para ativar as entradas do IND231/236.

Um exemplo de cabeamento para as entradas passivas com o +V para o comum é mostrado na Figura 2-39.



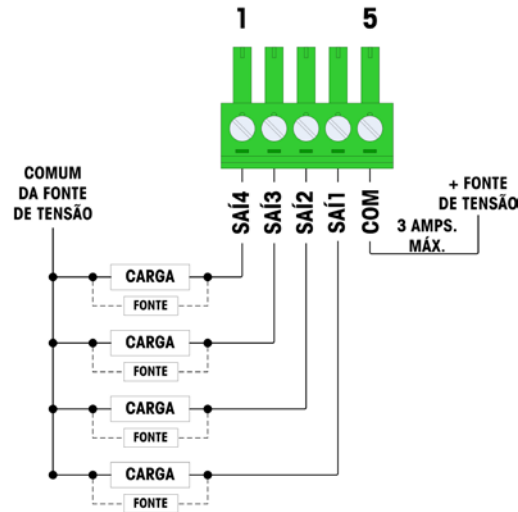
NOTAS:

1. TENSÃO: CORRENTE MÁXIMA DE 5-30 V CC, 10 mA. POLARIDADE DE TENSÃO NÃO PODE SER INVERTIDA.
2. NÃO PRENDA JUNTAS A FIAÇÃO DE ENTRADA COM A FIAÇÃO DE ENERGIA OU QUALQUER OUTRO CABO DE ALTA TENSÃO.
3. TAMANHO DO FIO:
18 AWG (0,832 mm²) MÁX.
24 AWG (0,205 mm²) MÍN.

Figura 2-39: Conexões de Entrada Passiva

2.4.7.3.4. Saídas de Relés

As saídas de relés podem chegar até 250 V CA ou 30 V CC a um máximo de 1 A. As saídas de relés não são sensíveis à polaridade visto que são saídas de contato seco. Um exemplo de fiação para as saídas é fornecido na Figura 2-40.



NOTAS:

1. RELÉS DE CONTATO SECO.
2. CLASSIFICAÇÃO DE CONTATO DE RELÉ:
CA: 24-250 V CA , 1,0 AMP. NO CC DE CARGA RESISTIVA: 5-30 V CC , 1,0 AMP. NA CARGA RESISTIVA.
POTÊNCIA MÁXIMA DE COMUTAÇÃO: 250VA, 30 W.
3. CORRENTE DE CIRCUITO MÁXIMO DE SAÍDA = 3 A.
4. TODAS AS CARGAS INDUTIVAS DEVEM SER SUPRIMIDAS.
5. TAMANHO DO FIO:
18 AWG (0,832 mm²) MÁX.
24 AWG (0,205 mm²) MÍN.

Figura 2-40: Saídas de Relés

2.5. Instruções para a Etiqueta de Capacidade

As regulamentações em alguns locais exigem que a capacidade da balança e o incremento sejam exibidos na frente do terminal, próximos do display. Para atender a este requisito, uma etiqueta de capacidade azul é incluída no terminal, que deve ser preenchida e colada na cobertura.

A etiqueta de capacidade (mostrada na Figura 2-41) fornece espaço para máx., mín. e informações de cada faixa para a qual a balança foi programada. A parte não utilizada da etiqueta pode ser cortada com tesouras. As informações escritas devem ser legíveis e ter um mínimo de 2 mm ou 0,008 pol. de altura. Um marcador permanente pode ser utilizado.



Figura 2-41: Etiqueta de Capacidade

Limpe qualquer óleo ou outros contaminantes da área onde a etiqueta de capacidade será adicionada. Retire a parte de trás da etiqueta e cole-a na estrutura ou em outro local aceitável conforme as regulamentações locais.

2.6. Fechamento do Gabinete

Depois que todos os trabalhos forem concluídos dentro do terminal, o gabinete deve ser fechado. Aperte os parafuso para fixar a tampa – consulte a Abertura do Gabinete na página A-1.

2.6.1. Especificações de Torque para Fixadores de Gabinete

Os fixadores de gabinete devem ser apertados conforme a especificação a seguir:

IND231:	1,5 Nm
IND236:	5,5 Nm

2.7. Lacre do Gabinete

Quando o terminal IND231/IND236 for utilizado em uma aplicação metrologicamente “aprovada”, ele deve ser protegido de adulteração por um lacre. Os gabinetes usam apenas um lacre de segurança de metal, que está incluído no terminal.

Os seguintes itens devem ser confirmados no terminal a ser lacrado:

- Uma base de balança deve ser conectada ao terminal através do prensa-cabo da célula de carga e o gabinete e os prensa-cabos devem ser devidamente fixados.
- O lacre deve evitar a remoção do terminal de mídia contendo dados de calibração.
- O lacre deve evitar o acesso à configuração de todos os recursos metrológicos significativos.

Para detalhes de lacre do terminal IND231/IND236, consulte a Figura 2-42 e siga essas etapas:

1. Garanta que a região de aprovação apropriada tenha sido selecionada na configuração em **F1.1.2 Aprovação**.
2. Com o painel frontal instalado no gabinete e os parafusos de fixação instalados, passe a ponta livre do lacre de fios através dos parafusos de lacre do IND231/IND236, e através do orifício no ponto de lacre do gabinete (Figura 2-42).



Figura 2-42: Instalação de Lacre – IND231 (esquerda) e IND236 (direita)

3. Passe a ponta do fio metálico através do orifício do lacre de plástico (Figura 2-43, esquerda), remova qualquer folga restante no fio e feche o lacre (Figura 2-43, direita). Corte o fio excedente.



Figura 2-43: Fechamento do Lacre

To protect your METTLER TOLEDO product's future:

METTLER TOLEDO Service

Congratulations on choosing the quality and precision of METTLER TOLEDO. Proper use according to these instructions and regular calibration and maintenance by our factory-trained service team ensure dependable and accurate operation, protecting your investment. Contact us about a METTLER TOLEDO service agreement tailored to your needs and budget.

We invite you to register your product at www.mt.com/productregistration so we can contact you about enhancements, updates and important notifications concerning your product.

www.mt.com/IND231-IND236

For more information

Mettler-Toledo, LLC
1900 Polaris Parkway
Columbus, OH 43240
Phone 800 438 4511
Fax 614 438 4900

© 2013 Mettler-Toledo, LLC
30094803 Rev. 00, 08/2013



30094803