

BTA231 Pallet Truck Scale

Precise and Simple Pallet Weighing

Rugged, Fast and Easy to Use



Ergonomic Full Function Handle

- Easy to Lift
- Easy to Move
- Easy to Weigh



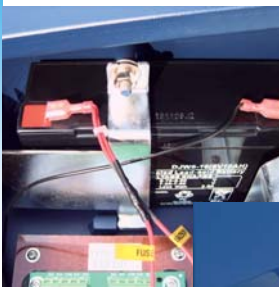
Turning Wheel

- Effortless steering
- Easy ride over uneven surfaces



Terminal

- Large 7-digit LCD display
- Low power consumption and automatic shut off
- Five standard keys plus two free definable function keys



Battery

- 6V DC, 10Ah
- Operating time: 95 hours
- Charging time: 8-12h



BTA231 Pallet Truck Scale

Precise and Simple Pallet Weighing

The mobile battery-powered solution for pallet weighing in one easy step. The BTA231 Pallet Truck Scale is the ideal solution for fast and precise mobile weighing in industrial and warehousing applications.

Technical data

BTA231 Pallet Truck Scale

Display

7 digit bright LCD 40mm high

Capacity

2,000 kg

Precision

0.1% maximum deviation from measuring range

Readability (approved)

2 kg

Key Pad

6 function tactile keypad

Battery with Charger

- 6VDC, 10Ah
- 95 hours operating time
- 8~12 hours charging time

Pallet Truck Construction

Mild steel

Load Cell Capacity

1 ton x 4, 2mV/V

Lifting Height

115 mm

Fork Height

- Lowered: 75 mm
- Raised: 190 mm

Fork Length

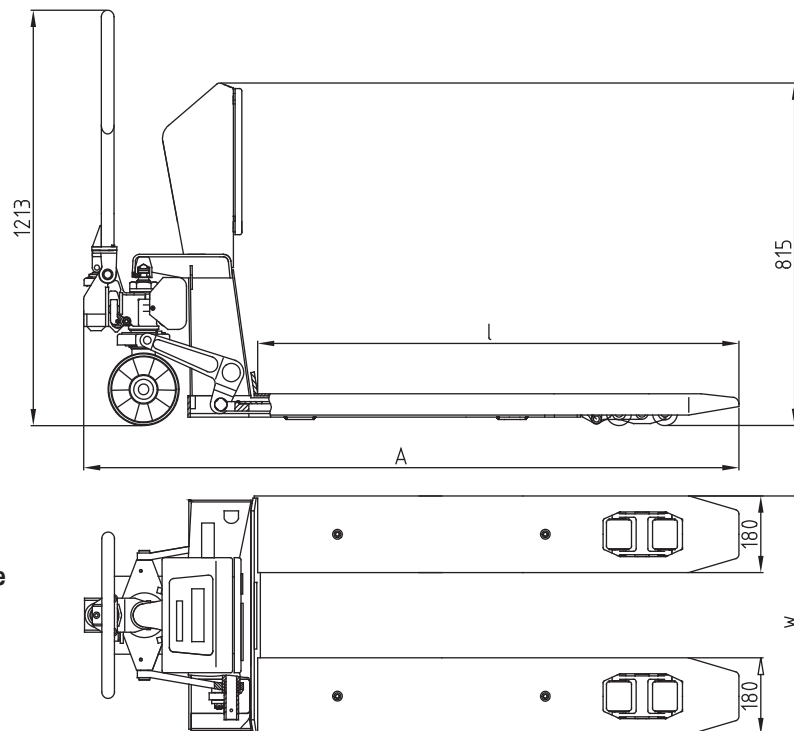
1,150 mm

Single Fork Width

180 mm

Operating Temperature

- -10°C to +40°C
- <85% humidity



Pallet Truck Scale

Item	Model	Capacity [t]	Resolution [kg]	Fork Size(w x l) [mm]	Length A [mm]	Shipping Information		
						Length[mm]	Width[mm]	Height[mm]
30084520	BTA231-555A	2	2	555 x 1150	1570	1620	600	1000
30084521	BTA231-690A	2	2	690 x 1220	1640	1700	730	1000



METTLER TOLEDO

Industry/Retail

Add: 111 West Tai Hu Road, Xinbei District,
Changzhou, Jiangsu
Tel: 0519-86642040
Fax: 0519-86641991
E-mail: ad@mt.com

Laboratory/Process/Packaging Industry

Add: 589 Gui Ping Road, Shanghai
Tel: 021-64850435
Fax: 021-64853351
E-mail: ad@mt.com

Subject to technical changes
Printed in P. R. China 2014/08

www.mt.com

For more information