

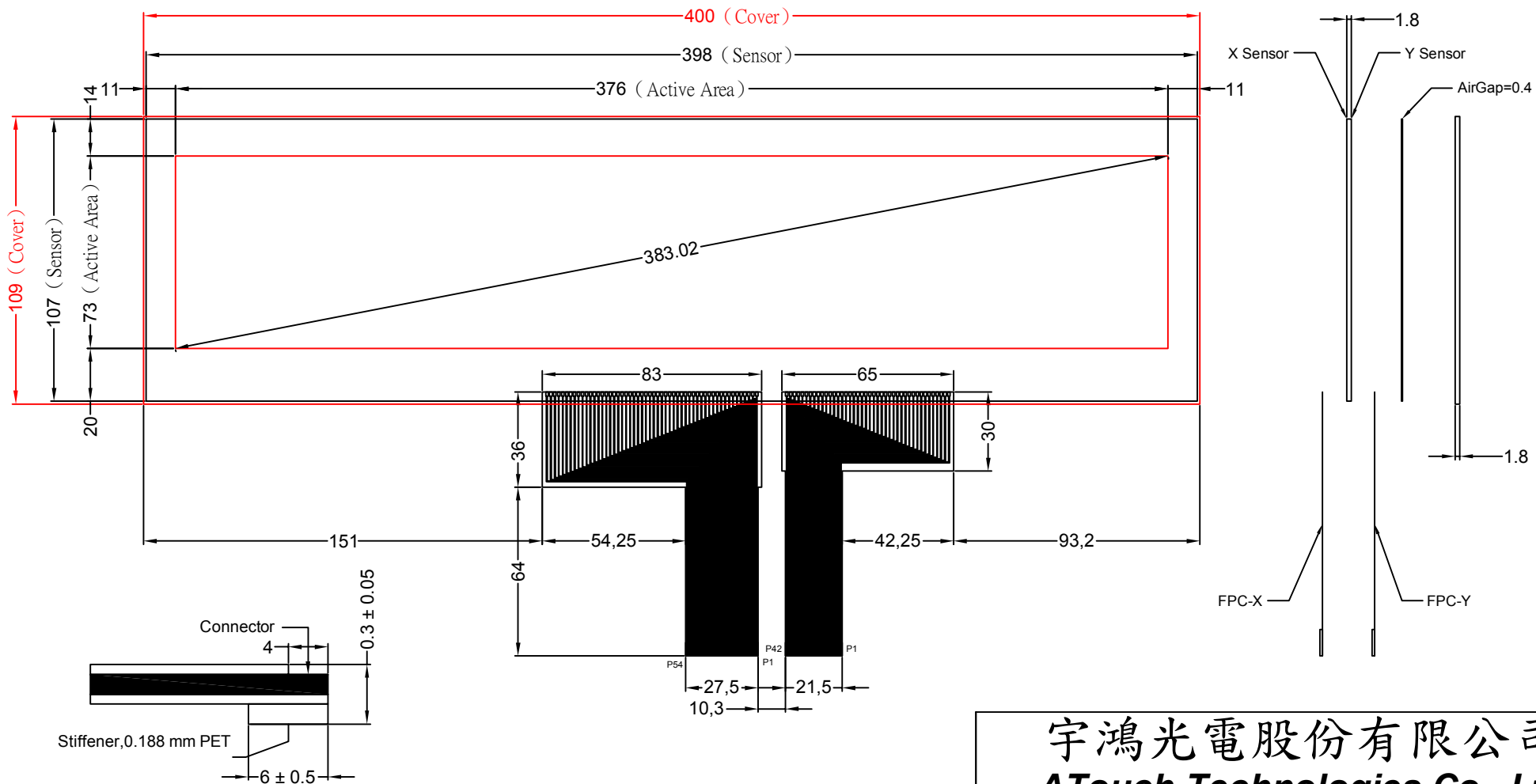
VICPAS®
NOTE: .com

Touch Keypad Display
© 1996-1997 6525384

1.X Sensor : Glass 1.8mm 、Pin1~Pin54.

2.Y Sensor : Glass 1.8mm 、Pin1~Pin42.

3.Black : 376*73~400*109.



宇鴻光電股份有限公司
ATouch Technologies Co., Ltd.

MODEL NUMBER		PCT1904FG3	
DRAWN BY	DIMENSION UNIT	ISSUE DATE	
KEN JHUANG	mm	04 / 22 / 16	
CHECKED BY	SCALE	REV	
KAYA HO	NOT TO SCALE	1	

P/N	COVERSHEET TYPE	GLASS THICKNESS	FINISHED PART THICKNESS
PCT1904FG3	CLEAR	1.8+0.4+1.8	4 ± 0.3