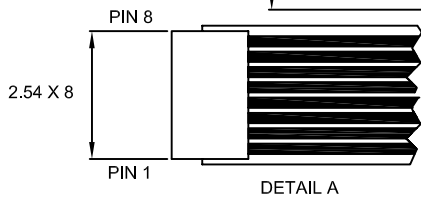
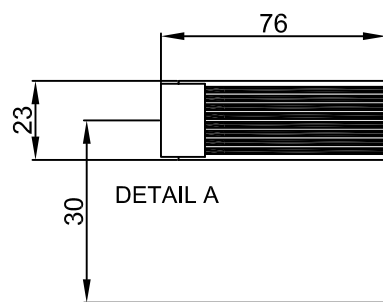
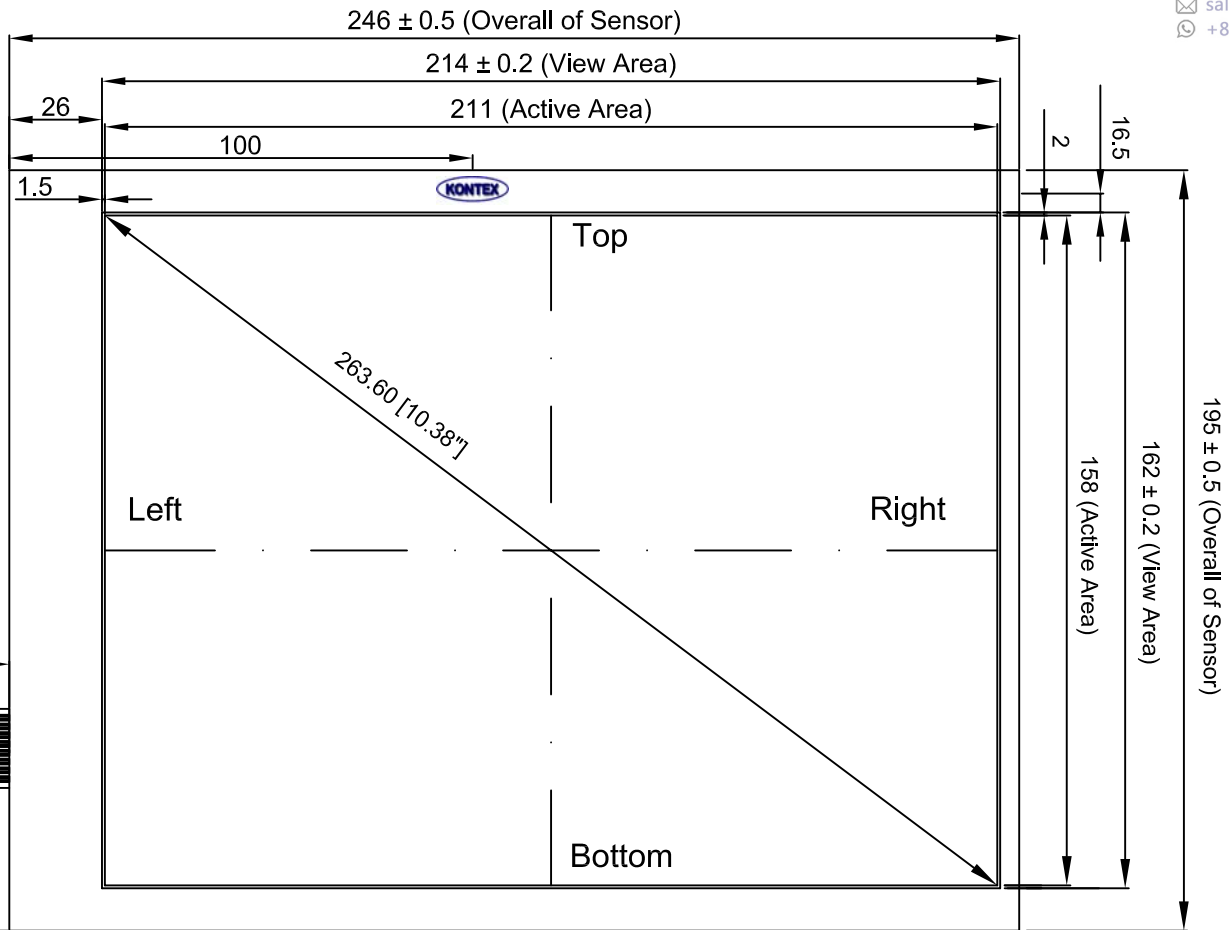


NOTE:  
 1.CABLE IS ATTACHED TO THE LEFT  
 SIDE OF TOUCH PANEL AS SHOWN.  
 2.TAIL CONNECTOR:PITCH 2.54mm



P/N	COVERSHEET TYPE	GLASS THICKNESS	FINISHED PART THICKNESS
8WR10421G1	CLEAR	1.8	2.1 ± 0.2
8WR10421N1	ANTI-GLARE		

CONNECTOR PINOUT	
PIN NO	ASSIGNMENT
1	Right excite
2	Right sense
3	Left sense
4	Left excite
5	Bottom excite
6	Bottom sense
7	Top sense
8	Top excite

宇鴻光電股份有限公司 <b>ATouch Technologies Co., Ltd.</b>		
MODEL NUMBER		8WR104-1
DRAWN BY	DIMENSION UNIT	ISSUE DATE
KEN JHUANG	mm	12 / 20 / 07
CHECKED BY	SCALE	REV
MELISSA WEI	NOT TO SCALE	E