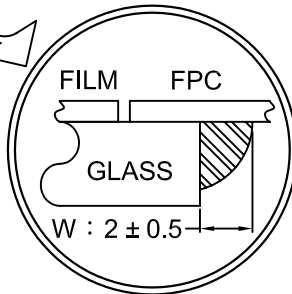
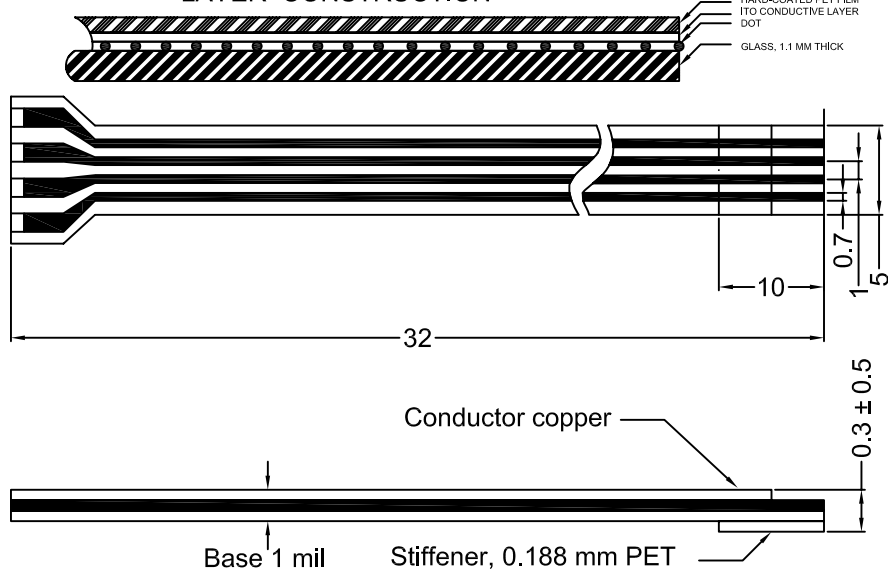


NOTE:

- 1.CABLE IS ATTACHED TO THE DOWN SIDE OF TOUCH PANEL AS SHOWN.
- 2.FPC TAIL CONNECTOR:PITCH 1.00mm
- 3.ITO FILM IS ANTI-GLARE AND ANTI-NEWTON RING TYPE.
- 4.SURFACE HARDNESS 3H.
- 5.PALM REJECTION.
- 6.4 WIRE RESITIVE.
- 7.W/O CONTROL BOARD.
- 8.TRANSPARENCY 81%.
- 9.FPC TAIL IS UP CONTACT.

LAYER CONSTRUCTION



CONNECTOR PINOUT	
PIN NO	ASSIGNMENT
1	Y up
2	X right
3	Y down
4	X left

P/N	COVERSHEET TYPE	GLASS THICKNESS	FINISHED PART THICKNESS
4WR1041FB7	ANTI-NEWTON RING	1.1	1.4 ± 0.2

宇鴻光電股份有限公司 ATouch Technologies Co., Ltd.		
MODEL NUMBER		4WR1041FB7
DRAWN BY	DIMENSION UNIT	ISSUE DATE
KEN JHUANG	mm	01 / 04 / 10
CHECKED BY	SCALE	REV
MELISSA WEI	NOT TO SCALE	E