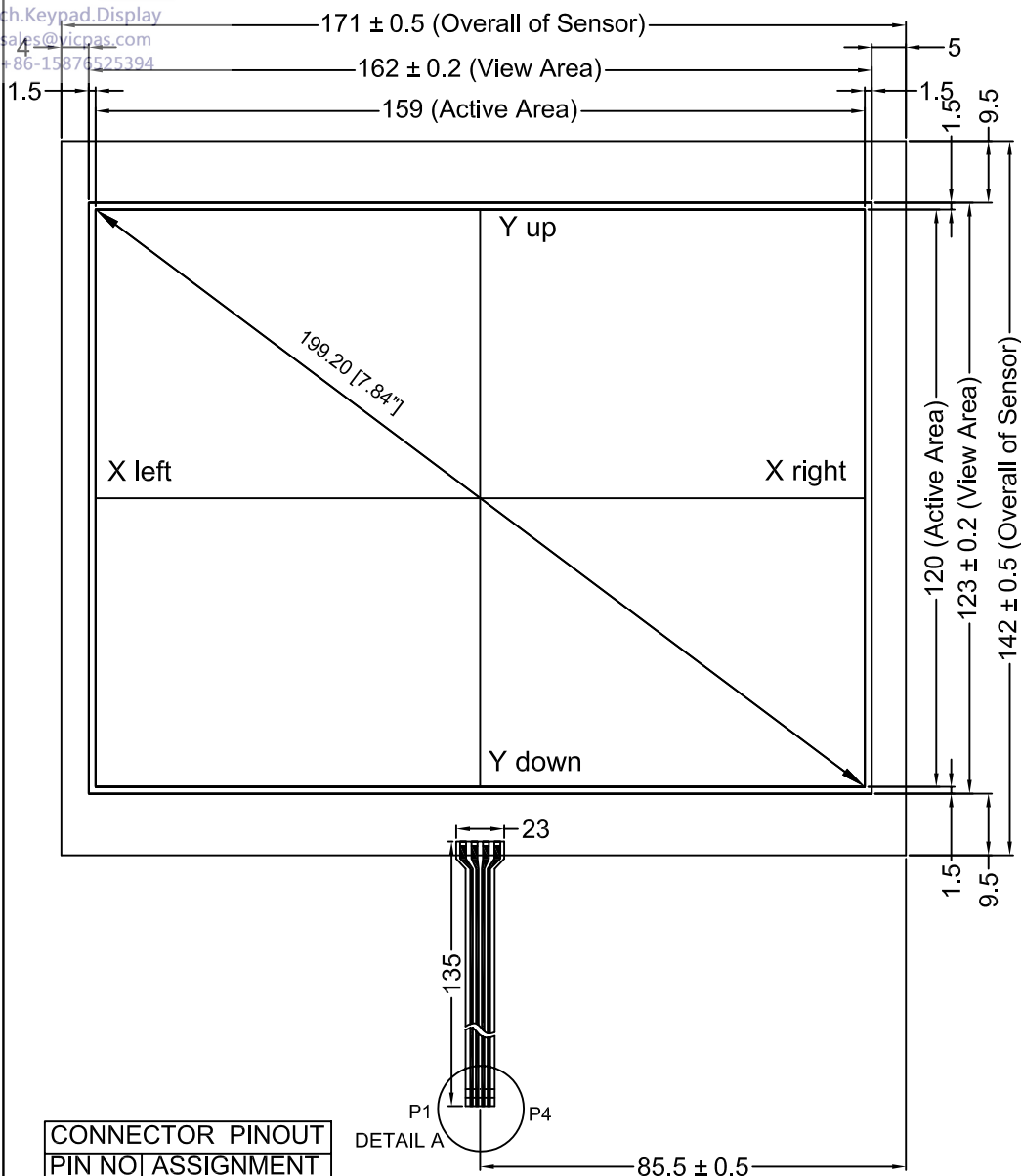
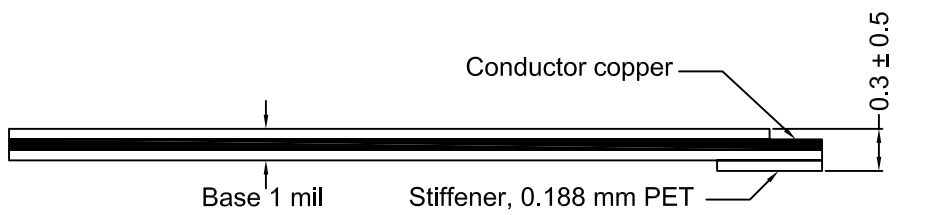
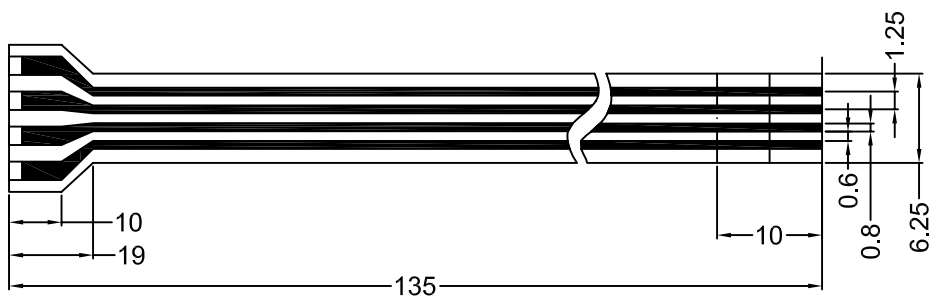
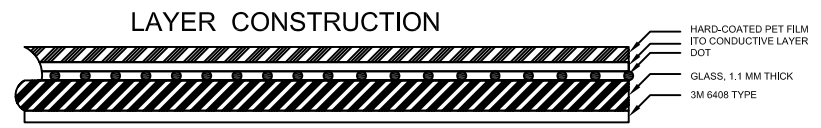


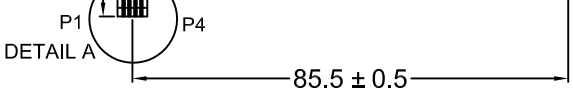
Touch.Keypad.Display
 ✉ sales@vicpas.com
 ☎ +86-15876525394



- NOTE:**
- 1.CABLE IS ATTACHED TO THE DOWN SIDE OF TOUCH POINT AS SHOWN.
 - 2.FPC TAIL CONNECTOR:PITCH 1.25 mm.
 - 3.ITO FILM IS ANTI-NEWTON RING TYPE.
 - 4.USE 3M 6408 TYPE.



| CONNECTOR PINOUT | |
|------------------|------------|
| PIN NO | ASSIGNMENT |
| 1 | X left |
| 2 | Y down |
| 3 | X right |
| 4 | Y up |



| P/N | COVERSHEET TYPE | GLASS THICKNESS | FINISHED PART THICKNESS |
|------------|------------------|-----------------|-------------------------|
| 4WR0801FB3 | ANTI-NEWTON RING | 1.1 | 1.7 ± 0.2 |

宇鴻光電股份有限公司
ATouch Technologies Co., Ltd.

| | | |
|--------------|----------------|--------------|
| MODEL NUMBER | | 4WR0801FB3 |
| DRAWN BY | DIMENSION UNIT | ISSUE DATE |
| KEN JHUANG | mm | 01 / 04 / 10 |
| CHECKED BY | SCALE | REV |
| MELISSA WEI | NOT TO SCALE | E |