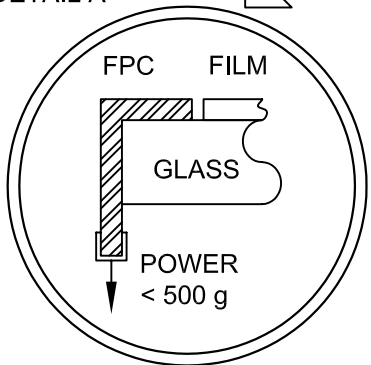
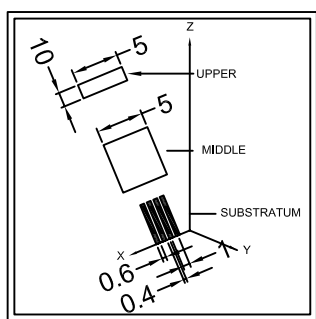
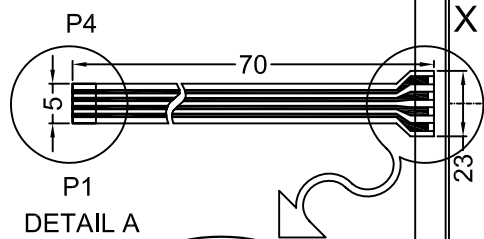
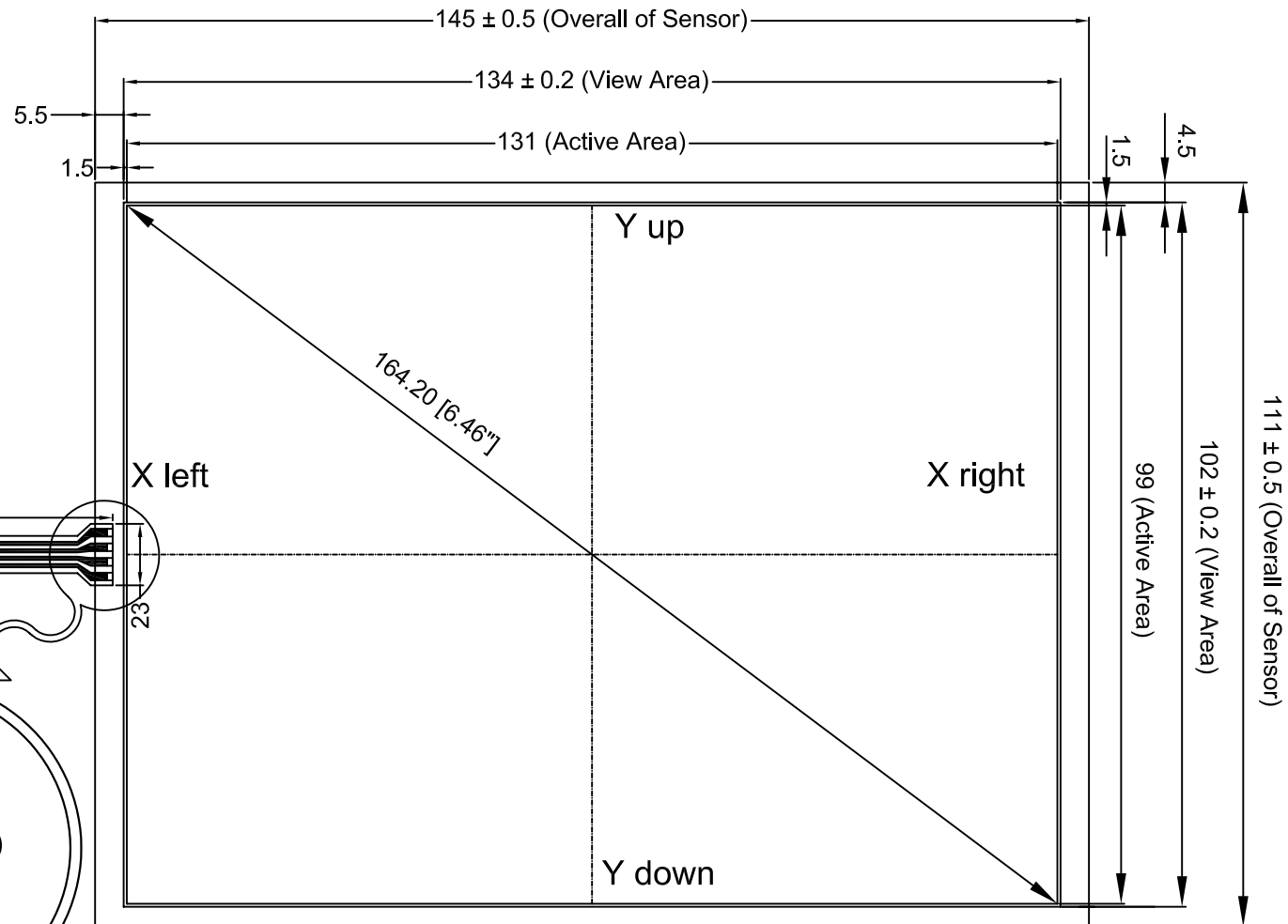


NOTE:

- 1.CABLE IS ATTACHED TO THE LEFT SIDE OF TOUCH PANEL AT CENTER POINT AS SHOWN.
- 2.FPC TAIL CONNECTOR:PITCH 1.00mm
- 3.ITO FILM IS ANTI-NEWTON RING TYPE.
- 4.DOT IS 3 mm * 3 mm MATRIX.
- 5.DOT DIMENSION : 0.06 mm
- 6.ACTIVE AREA EXTEND OVERALL AMBIT IS DIAPHANOUS.



P/N	COVERSHEET TYPE	GLASS THICKNESS	FINISHED PART THICKNESS
4WR0641FB3	ANTI-NEWTON RING	1.1	1.4 ± 0.2

CONNECTOR PINOUT	
PIN NO	ASSIGNMENT
1	X right
2	Y down
3	X left
4	Y up

宇鴻光電股份有限公司
ATouch Technologies Co., Ltd.

MODEL NUMBER		4WR0641FB3
DRAWN BY	DIMENSION UNIT	ISSUE DATE
KEN JHUANG	mm	01 / 04 / 10
CHECKED BY	SCALE	REV
MELISSA WEI	NOT TO SCALE	F