

12.1" Industrial Flat Panel Display - FP-5600T



Features:

- XGA Display TFT Touch Panel
- 16 Million colors
- Multi-touch gesture operation
- Automatic brightness adjustment sensor
- Supports Windows XP to Windows 8.1
- Automatic resolution adjustment

Performance Specifications

Model	PFXFP5600TPD
Display Type	12.1" TFT Color LCD *2
Touch Panel	Multi touch (analog resistive)
Display Colors	16 Million Colors
Display Area	W245.76 x H184.32 mm (W9.68 x H7.26 in.)
Video	DVI-D *3 Interface Connector
Graphics Display Resolution	1024 x 768
Backlight	White LED (Not user replaceable. When replacement is required, contact your local distributor.)
Backlight service life	50,000 hours or more (continuous operation at 25°C [77°F] before backlight brightness decreases to 50%)
Video interface *1	DVI-D input, DVI-D 24 pin (socket) x 1, 5 m
USB (Type A)	Front side: USB 2.0 (Type A) x 1
USB (Type B)	USB 2.0 (Type B) x 1

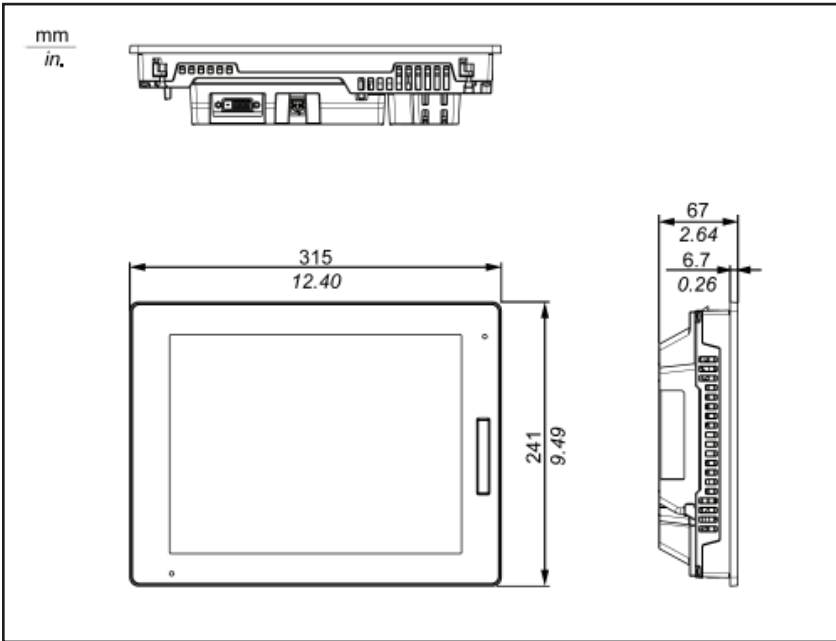
*1 Different formats can be used by using conversion adapters and cables. *2 Panel cutout dimensions are the same as those for the FP3000 series 10" and 12" models. XGA resolution can be used without the need for adjustment thanks to automatic resolution adjustment function. *3 Different formats can be used by using conversion adapters and cables.

General Specifications

Model	PFXFP5600TPD
Input Voltage	12 to 24Vdc
Power Consumption	17W or less (Backlight ON: 100% (Power is supplied to external devices)), 14W or less (Backlight ON: 100%, (Power is not supplied to external devices)), 9W or less (Backlight adjusted: 20% (Power is not supplied to external devices))m 7W or less (Backlight OFF, (Power is not supplied to external devices))0
Allowable Voltage Drop	12 Vdc: 2.5 ms or less, 24 Vdc: 10 ms or less
Voltage Endurance	1,000 Vac, 20 mA for 1 minute (between charging and FG terminals)
Insulation Resistance	500 Vdc, 10 MΩ or more (between charging and FG terminals)
Certifications	RoHS, UL508, CE, CSA-C22.2 No.142-M1987, EN55011 Class A, EN61000-6-2
Surrounding air and storage temperature	32° to 140 °F (0 to 60°C), -4 to 140°F (-20 to 60°C)
Surrounding air and storage humidity	10% to 90% RH (non-condensing, wet bulb temperature 39 °F, [102.2 °F or less])
Dust	0.1mg/m ³ (10 ⁻⁷ oz/ft ³) or less (non-conductive levels)
Noise Immunity	Noise voltage: 1,000 Vp-p, Pulse duration: 1 μs, Rise time: 1 ns, (via noise simulator)
Grounding	Functional grounding: Grounding resistance of 100Ω, 2 mm2 (AWG 14) or thicker wire, or your country's applicable standard (same for FG and SG terminals).
Electrostatic Discharge Immunity	Contact discharge method: 6 kV (IEC/EN 61000-4-2 Level 3)
Vibration Resistance	IEC/EN 61131-2 compliant, 5 to 9 Hz single amplitude 3.5 mm (0.14 in), 9 to 150 Hz fixed acceleration: 9.8 m/s2, X, Y, Z directions for 10 cycles (approx. 100 min.)
Weight	Approx. 3.9 kg (8.6 lb) or less
External Dimensions	W315 x H241 x D67 mm (W12.4 x H9.49 x D2.64 in.)
Panel Cut-Out Dimensions	W301.5 x H227.5 mm (W11.87 x H8.96 in.) *4 Panel thickness area: 1.6 to 5 mm (0.06 to 0.2 in) *5
Warranty	Two (2) year

*4 For dimensional tolerance, everything +1/-0 mm (+0.04/-0 in.) and R in angle are below R3 (R0.12 in). *5 Even if the installation wall thickness is within the recommended range for the panel cut dimensions, depending on wall's material, size, and installation location of this product and other devices, the installation wall could warp. To prevent warping, the installation surface may need to be strengthened.

FP-5600T - External Dimensions



Ordering Information

Part Number	Description
PFXFP5600TPD	12.1" TFT Color LCD, 24 Vdc

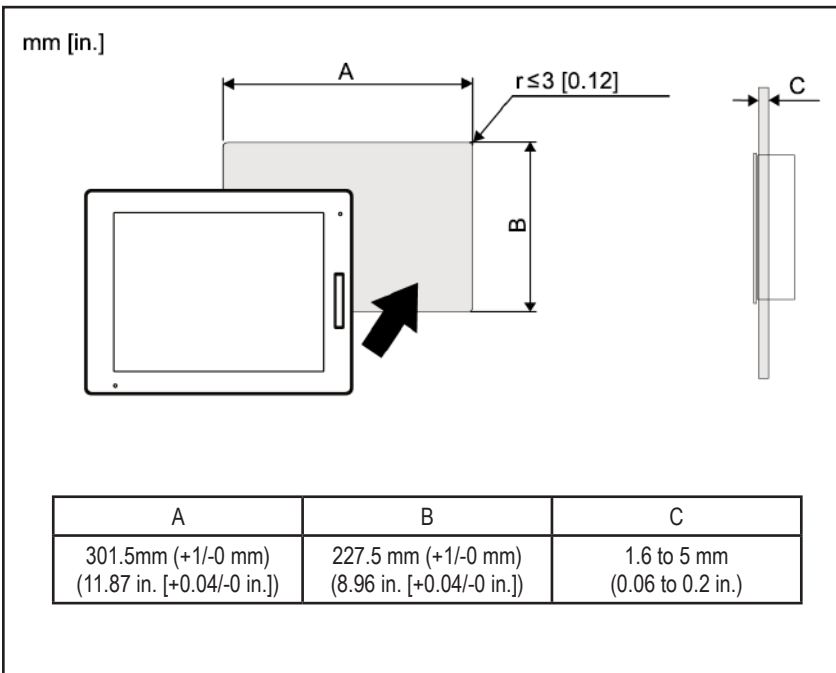
Accessories or Replacement Components

Product Name	Part Number
USB Cable	5m FP-US00
DVI-D Cable	5m FP-DV01-50
12-inch Installation Gasket	PFXZCDWG121
12-inch Environment Cover	PFXZCDOP121
12-inch Screen Protection Sheet(5 sheets/set)	CA7-DFS12-01
DC Power Supply Connector (Straight)	PFXZCBCNDC1

Caution: Before operating any of these products, please be sure to read all related manuals thoroughly.

- All product names used in this document are trademarks or registered trademarks of their respective companies.
- All information contained in this document is subject to change without notice.

FP-5600T - Cut-Out Dimensions



Pro-face America
Phone: 734.477.0600
Fax: 734.864.7347
www.profaceamerica.com

Customer Service Hotline: 734.944.0482

For more information
ACCESS www.profaceamerica.com