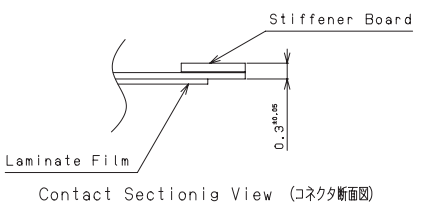
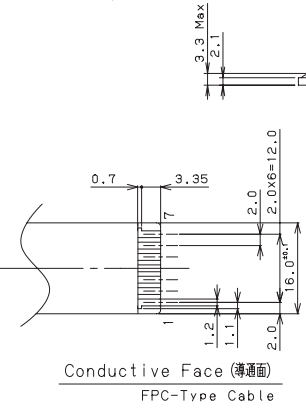
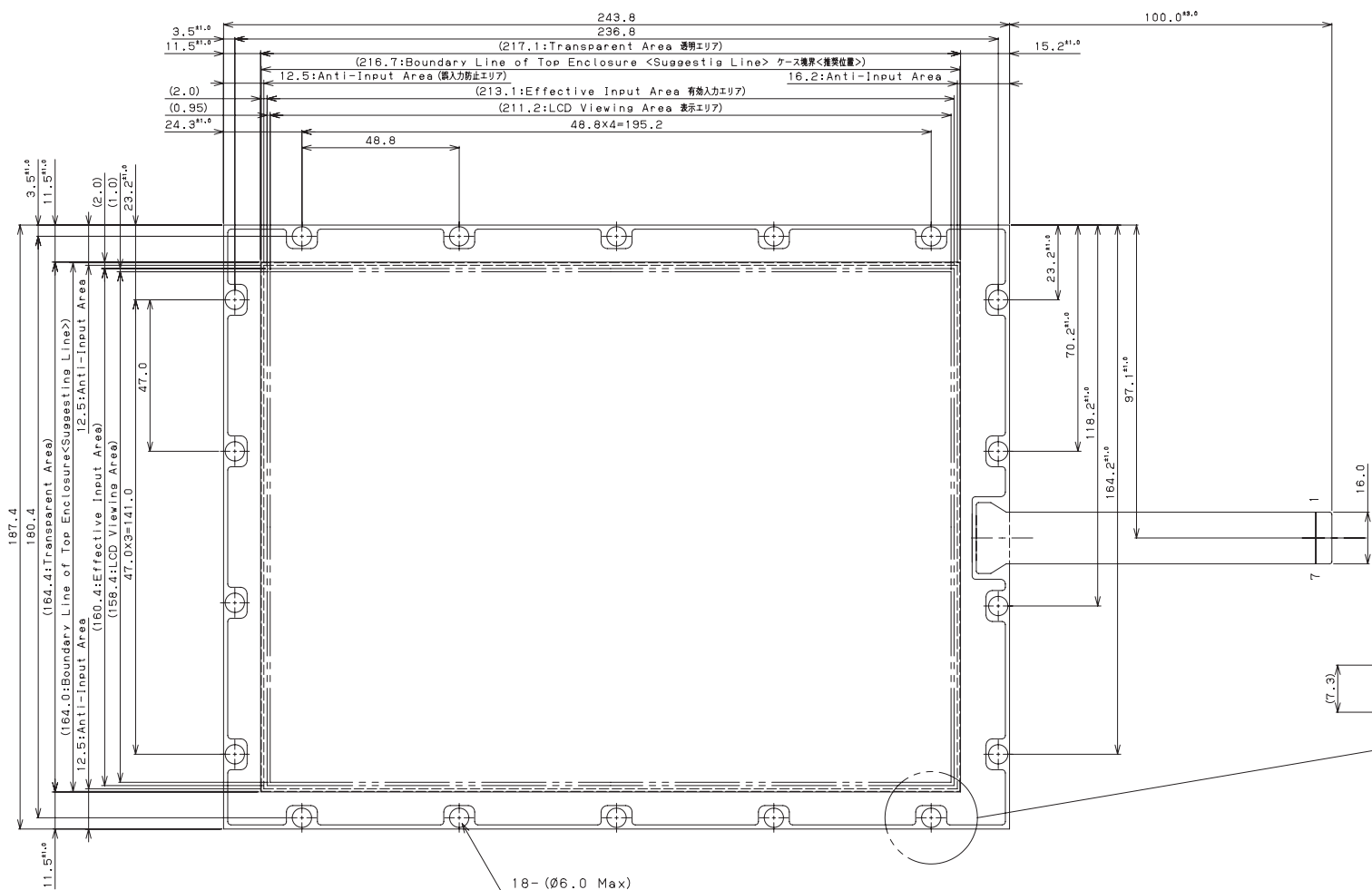


DATE DOCUMENT CONTROL SECTION



18- (Ø6.0 Max)

Thickness of Glass t=1.8 (ガラス板厚)

Stiffenser Board (補強板)

Conductive Face (導通面)
Gold Plating (金メッキ)

Note
1.No specified Tolerance is ±0.5.
指定なき寸法公差は、±0.5とする。

Outline Drawing (外形図)
RoHS compliant Scale 1:1

Part Number: N010-0551-T642

				TITLE タッチパネル個別製品仕様書 Touch Panel Individual Spec.	
				DRAW. NO.	CUST.
				Tech Bes F&T-10508	
DATE	DESIGN	CHECK	DESCRIPTION	FUJITSU COMPONENT LIMITED	
DESIGN	CHECK	APPR.		6/6	