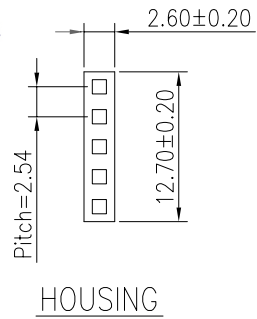
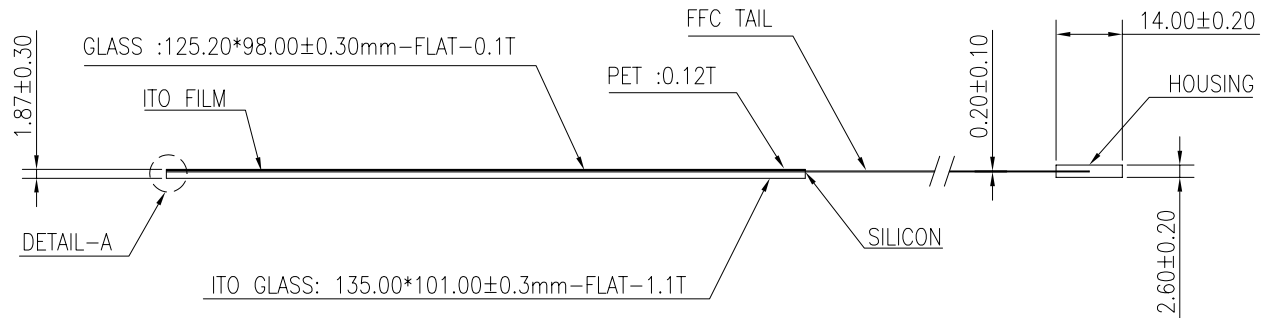
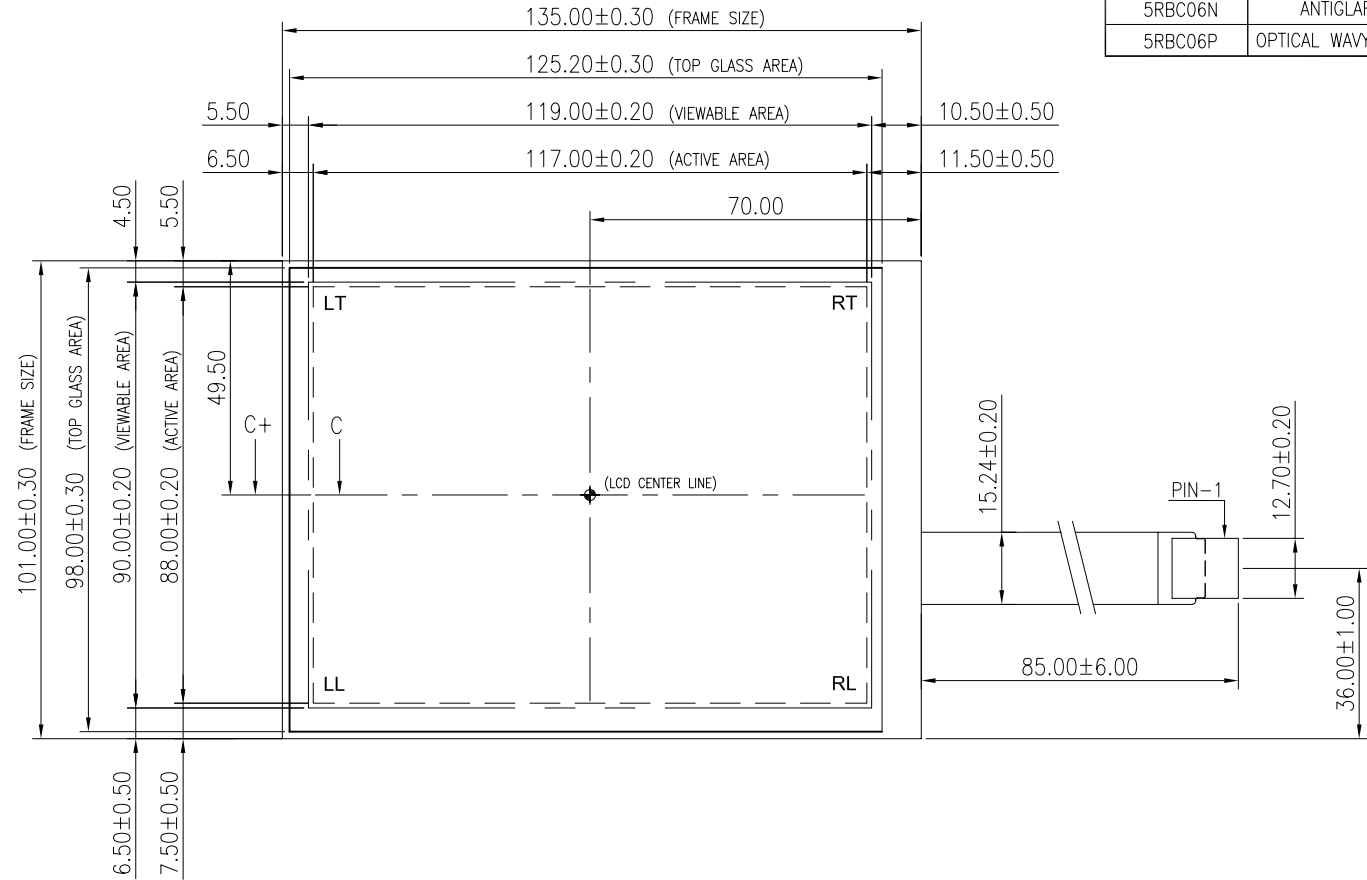
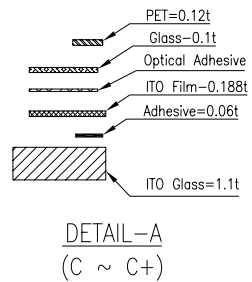
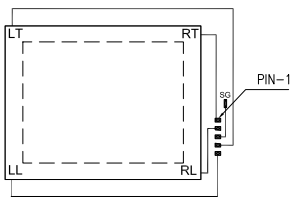


TOUCHSCREEN TABULATION		
PART NUMBER	TYPE	PART NO.
5RBC06G	CLEAR	
5RBC06N	ANTI GLARE	
5RBC06P	OPTICAL WAVY-FREE	



CONNECTOR PINOUT	
PIN NO.	DESIGNATION
1	RT
2	RL
3	SG
4	LT
5	LL



DESCRIPTION	WD-TR5-C248	DATE	OCT.24 ,2008	APPROVED		Rev.	A
MODEL	T057S-5RBC06X-3A11R4-080FH	SCALE	-/-	DESIGN	Andy	Page	of
PART NO.		UNIT	mm.	DRAWING	Carol	B-Page	of