



### Main

Range of product	Magelis iPC
Product or component type	Multi-touch screen
Number of touch point	5
Terminal type	Touchscreen display
Integrated connection type	1 RS232 with connector male SUB-D 9 (rate: <= 115.2 kbits/s) 1 RS485/RS422 with connector male SUB-D 9 (rate: <= 115.2 kbits/s) 2 Ethernet port with connector RJ45 (rate: 10/100/1000 Mbit/s) HDMI 2 USB 3.0 type A (rate: 1.5/12/480 Mbit/s, 5 Gbit/s)

### Complementary

Processor name	Intel Core i3 4010U @ 1.7 GHz
Chipset type	Intel QM87
Memory type	RAM DDR3, 8 GB (internal)
Free slots	1 Internal SATA HDD/SSD 1 CFAST
Data storage equipment	SSD 80 GB on back side 2000000 h
Display size	15.6 inch
Aspect ratio	16:9
Display type	LED Colour TFT LCD
Display resolution	1366 x 768 pixels WXGA
Display colour	16777216 colors
Luminance	300 cd/m <sup>2</sup>
Backlight lifespan	50000 hours
View angle horizontal x vertical	150 x 140°
Touch screen resolution	4096 x 4096
Touch panel	Projected capacitive
Video controller type	Intel HD Graphics 4400
Type of cooling	Fanless Passive
Watchdog timer	1...255 ms
Electrical connection	3 SMA connector
Number of slots	1 mini PCI Express full-size
Operating system	Windows 7 64 bits Ultimate
Software package	Vijeo XD demo Vijeo Citect on DVD
[Us] rated supply voltage	24 V DC (+/- 20 %) 110...240 V by AC/DC adapter
Power consumption	18...60 W
Local signalling	Buzzer LED green on LED orange stand-by
Width	419.7 mm
Height	269 mm
Depth	56.7 mm
Cut-out dimensions	412.4 (+/- 0.7) x 261.7 (+/- 0.4)

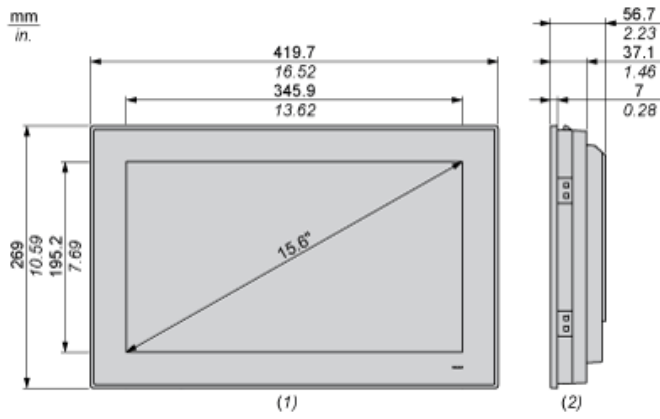
The information provided in this documentation contains general descriptions and/or technical characteristics of the performance of the products contained herein. This documentation is not intended as a substitute for and is not to be used for determining suitability or reliability of these products for specific user applications. It is the duty of any such user or integrator to perform the appropriate and complete risk analysis, evaluation and testing of the products with respect to the relevant specific application or use thereof. Neither Schneider Electric Industries SAS nor any of its affiliates or subsidiaries shall be responsible or liable for misuse of the information contained herein.

Product weight	6 kg
Main type	Performance

## Environment

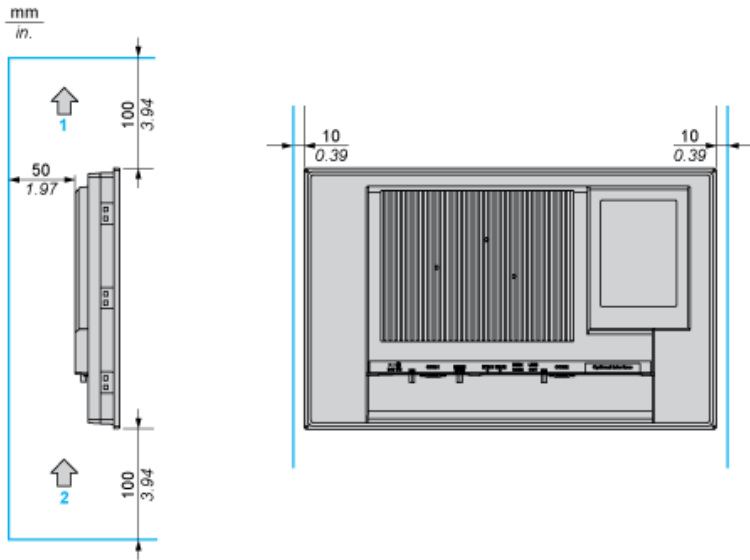
IP degree of protection	IP66 (front panel)
Product certifications	AS/NZS CCC CE C-Tick RCM EAC
Standards	CISPR 11 IEC 60950 IEC 61000-6-2 IEC 61000-6-4 UL 60950 FCC part 15 class A CSA C22.2 No 60950
Directives	2004/108/EC - electromagnetic compatibility 2006/95/EC - low voltage directive 2011/65/EU - RoHS directive 1907/2006/EC - REACH directive 2012/19/EU - WEEE directive
Pollution degree	2
Ambient air temperature for operation	0...55 °C with SSD 0...55 °C with Cfast card 0...45 °C with HDD 0...45 °C with Mini PCIe
Ambient air temperature for storage	-20...60 °C
Relative humidity	10...95 % (non-condensing)
Operating altitude	2000 m
Vibration resistance	1 gn with HDD (f = 5...500 Hz) 2 gn with SSD (f = 5...500 Hz) 2 gn with Cfast card (f = 5...500 Hz)
Mechanical robustness	7H hardness anti-scratch

Dimensions



- (1) Front view
- (2) Right view

Spacing Requirements

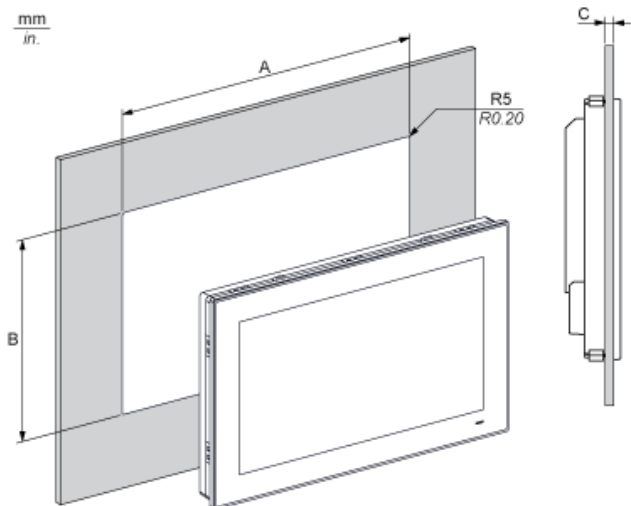


- 1 : Air out
- 2 : Air in

Mounting Orientation



Panel Cut Dimensions



A		B		C		R	
mm	in.	mm	in.	mm	in.	mm	in.
412.4	16.24	261.7	10.30	2...6	0.08...0.23	5	0.20