



## Main

|                           |   |
|---------------------------|---|
| Range of product          | Harmony iPC   |
| Product or component type | Multi-touch screen  |
| Processor name            | Intel Atom E3827 dual core at 1.75 GHz  |
| Chipset type              | Intel Atom SoC  |
| Free slots                | 1 CFast   |
| Display size              | 10.1 inch   |
| Display colour            | 267000 colours  |
| Luminance                 | 300 cd/m <sup>2</sup>   |
| Pixel resolution          | 4096 x 4096   |
| Video controller type     | Intel HD Graphics   |
| Software package          | EcoStruxure secure connect advisor annual subscription cyber security license not included<br>EcoStruxure Operator Terminal Expert run time HMI license not included<br>EcoStruxure Machine SCADA Expert run time HMI/SCADA on configured offer only<br>EcoStruxure augmented operator advisor server augmented operator license not included |

## Complementary

|                                  |  |
|----------------------------------|--|
| Number of points                 | 5  |
| Terminal type                    | Touchscreen display  |
| Memory type                      | 4 GB RAM DDR3 internal   |
| Data storage equipment           | CFast card   |
| Aspect ratio                     | 16:9   |
| Display type                     | Colour TFT LCD<br>LED  |
| Display resolution               | 1280 x 800 pixels WSVGA  |
| Backlight lifespan               | 50000 hours  |
| View angle horizontal x vertical | 160 x 160°   |
| Touch panel                      | Projected capacitive technology (PCT)                                  |
| Type of cooling                  | Fanless<br>Passive   |
| Watchdog timer                   | 1...255 ms   |
| [Us] rated supply voltage        | 24 V DC +/- 20 %<br>100...240 V AC with additional adaptor HMIYPSOMAC1 |

Disclaimer: This documentation is not intended as a substitute for and is not to be used for determining suitability or reliability of these products for specific user applications

|                       |   |
|-----------------------|---|
| [In] rated current    | 1.9 A   |
| Mechanical robustness | Hardness anti-scratch 7H                                  |
| Local signalling      | Buzzer<br>LED (green) for on<br>LED (orange) for stand-by |
| Function available    | Operate with water on screen                              |
| Width                 | 283.1 mm  |
| Height                | 202.3 mm  |
| Depth                 | 61.3 mm   |
| Cut-out dimensions    | 274.6 (+/- 0.7) x 193.8 (+/- 0.4)                         |
| Net weight            | 2.5 kg  |
| Display size          | 10" wide multi-touch                                      |
| Main type             | Optimised   |

## Environment

|                                       |  |
|---------------------------------------|--|
| IP degree of protection               | IP66 front panel:  |
| Product certifications                | RCM<br>AS/NZS<br>CCC<br>EAC<br>CE<br>C-Tick  |
| Standards                             | FCC part 15 class A<br>UL 60950<br>CISPR 11<br>IEC 61000-6-2<br>IEC 60950<br>IEC 61000-6-4<br>CSA C22.2 No 60950 |
| Directives                            | 2006/95/EC - low voltage directive<br>2004/108/EC - electromagnetic compatibility                                |
| Pollution degree                      | 2  |
| Ambient air temperature for operation | 0...55 °C SSD<br>0...55 °C Cfast card<br>0...45 °C HDD<br>0...45 °C Mini PCIe                                    |
| Ambient air temperature for storage   | -20...60 °C  |
| Relative humidity                     | 10...95 % non-condensing   |
| Operating altitude                    | 2000   |
| Vibration resistance                  | 1 gn (f = 5...500 Hz)HDD<br>2 gn (f = 5...500 Hz)SSD<br>2 gn (f = 5...500 Hz)Cfast card                          |

## Packing Units

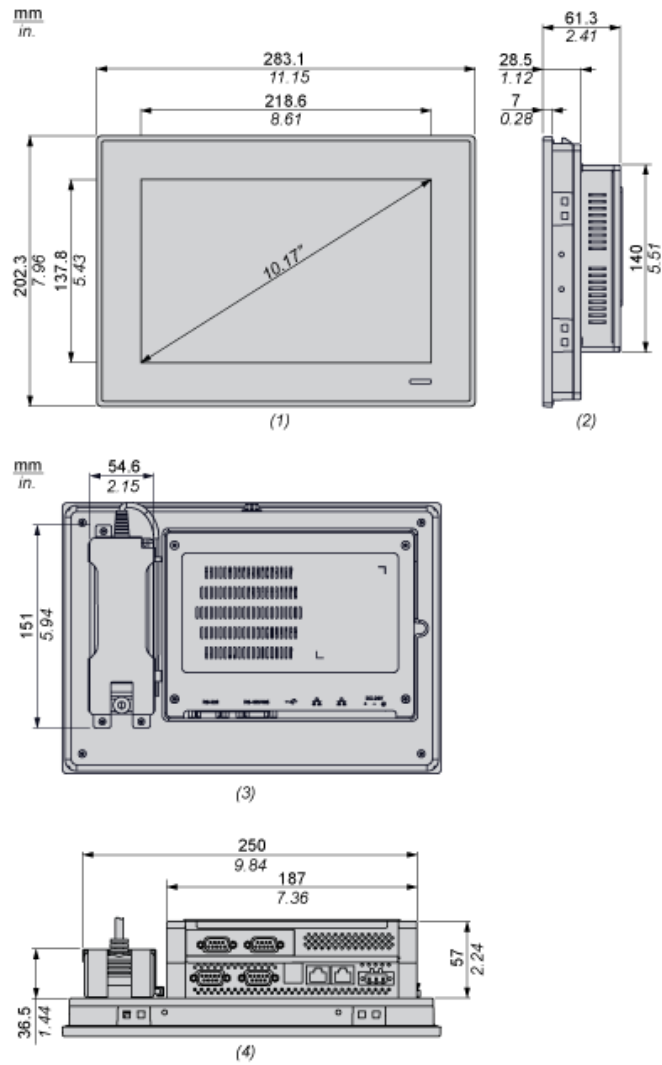
|                  |            |
|------------------|------------|
| Package 1 Weight | 2.500 kg   |
| Package 1 Height | 61.000 mm  |
| Package 1 width  | 202.000 mm |
| Package 1 Length | 283.000 mm |

## Offer Sustainability

|                            |   |
|----------------------------|---|
| EU RoHS Directive          | Pro-active compliance (Product out of EU RoHS legal scope)<br><a href="#">EU RoHS Declaration</a>                           |
| Mercury free               | Yes   |
| RoHS exemption information | <a href="#">Yes</a>   |
| China RoHS Regulation      | <a href="#">China RoHS declaration</a>  |
| WEEE                       | The product must be disposed on European Union markets following specific waste collection and never end up in rubbish bins |

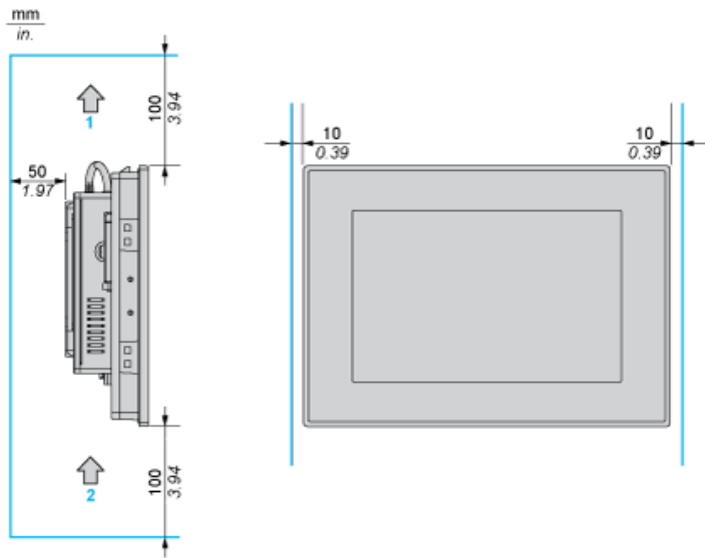


Dimensions



- (1) Front view
- (2) Right view
- (3) Back view
- (4) Bottom view

Spacing Requirements

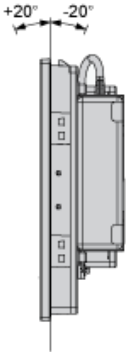


- 1 : Air out
- 2 : Air in

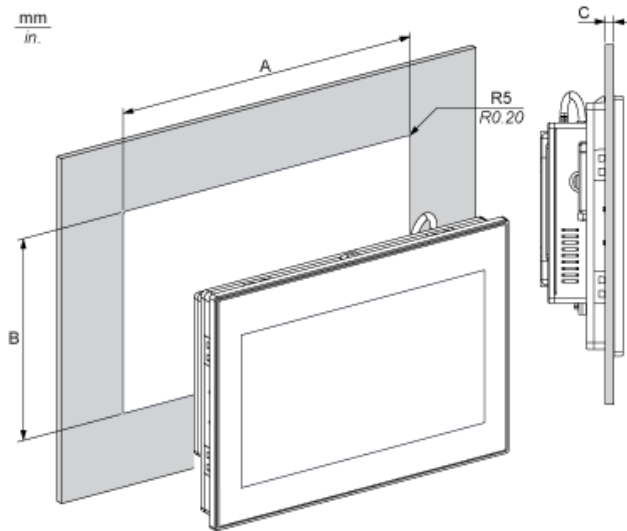
---

Mounting Orientation

---



Panel Cut Dimensions



| A     |       | B     |      | C     |             | R  |      |
|-------|-------|-------|------|-------|-------------|----|------|
| mm    | in.   | mm    | in.  | mm    | in.         | mm | in.  |
| 274.6 | 10.81 | 193.8 | 7.63 | 2...6 | 0.08...0.23 | 5  | 0.20 |