

Product data sheet

Characteristics

HMIPSPS752D180L

Multi touch screen, Harmony iPC, S Panel PC
Perf. SSD W15â€ DC Win 10 IoT Enterprise

Product availability : Non-Stock - Not normally stocked in distribution facility

Price* : 5,260.00 USD



Commercial status

To be discontinued on: 30 June 2022

To be end-of-service on: 30 June 2026

⚠ To be discontinued

Main

Range of product	Harmony iPC
Product or Component Type	Multi-touch screen
Processor Name	Intel Core i3 4010U 1.7 GHz
Chipset type	Intel QM87
Free slots	1 Internal SATA HDD/SSD 1 CFast
Display size	15.6 inch
Display colour	16777216 colors
Luminance	27.87 fc (300 cd/m²)
Pixel resolution	4096 x 4096
Video controller type	Intel HD Graphics 4400
Operating system	Windows 10 IoT Enterprise 64 bit multi-language
Software package	EcoStruxure secure connect advisor annual subscription cyber security license not included EcoStruxure Operator Terminal Expert run time HMI license not included EcoStruxure Machine SCADA Expert run time HMI/SCADA on configured offer only EcoStruxure augmented operator advisor server augmented operator license not included Vijeo Citect DVD SCADA license not included

Complementary

Number of points	5
Terminal type	Touchscreen display
Memory type	8 GB RAM DDR3 internal
Data storage equipment	256 GB back side SSD 1500000 h
Aspect ratio	16:9
Display Type	LED Colour TFT LCD
Display Resolution	1366 x 768 pixels WXGA
Backlight lifespan	50000 hours
View angle horizontal x vertical	150 x 140°
Touch panel	Projected capacitive technology (PCT)
Type of cooling	Fanless

* Price is "List Price" and may be subject to a trade discount – check with your local distributor or retailer for actual price.

	Passive
Watchdog timer	1...255 ms
Electrical connection	Connector SMA, 3 ways
Number of slots	1 mini PCI Express full-size
[Us] rated supply voltage	24 V DC +/- 20 % 100...240 V AC with additional adaptor HMIYPSPMAC1
Power Consumption in W	18...60 W
Mechanical robustness	Hardness anti-scratch 7H
Local signalling	buzzer for on LED (green) for stand-by LED (orange)
Function Available	Operate with water on screen
Width	16.52 in (419.7 mm)
Height	10.59 in (269 mm)
Depth	2.23 in (56.7 mm)
Cut-out dimensions	412.4 (+/- 0.7) x 261.7 (+/- 0.4)
Product Weight	13.23 lb(US) (6 kg)
Display size	15" wide multi-touch
Main type	Performance

Environment

IP degree of protection	Front panel IP66
Product Certifications	EAC CE AS/NZS C-tick CCC RCM
Standards	FCC Part 15 class A IEC 61000-6-4 IEC 61000-6-2 CISPR 11 IEC 60950 UL 60950 CSA C22.2 No. 60950
Directives	2004/108/EC - electromagnetic compatibility 2006/95/EC - low voltage directive
Pollution degree	2
Ambient air temperature for operation	32...131 °F (0...55 °C) SSD 32...131 °F (0...55 °C) Cfast card 32...113 °F (0...45 °C) HDD 32...113 °F (0...45 °C) Mini PCIe
Ambient air temperature for storage	-4...140 °F (-20...60 °C)
Relative Humidity	10...95 % non-condensing
Operating altitude	2000
Vibration resistance	1 gn 5...500 Hz)HDD 2 gn 5...500 Hz)SSD 2 gn 5...500 Hz)Cfast card

Ordering and shipping details

Category	22575 - MAGELIS MC3
Discount Schedule	MC3
GTIN	3606480929038
Nbr. of units in pkg.	1
Package weight(Lbs)	22.05 lb(US) (10 kg)
Returnability	No
Country of origin	US

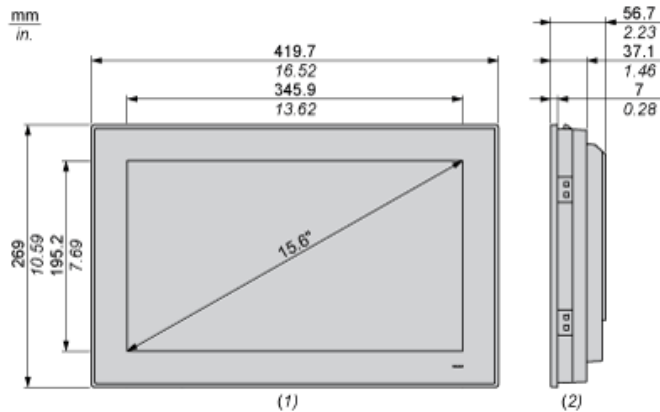
Packing Units

Unit Type of Package 1	PCE
Package 1 Height	6.89 in (17.5 cm)
Package 1 width	21.26 in (54 cm)
Package 1 Length	27.56 in (70 cm)

Offer Sustainability

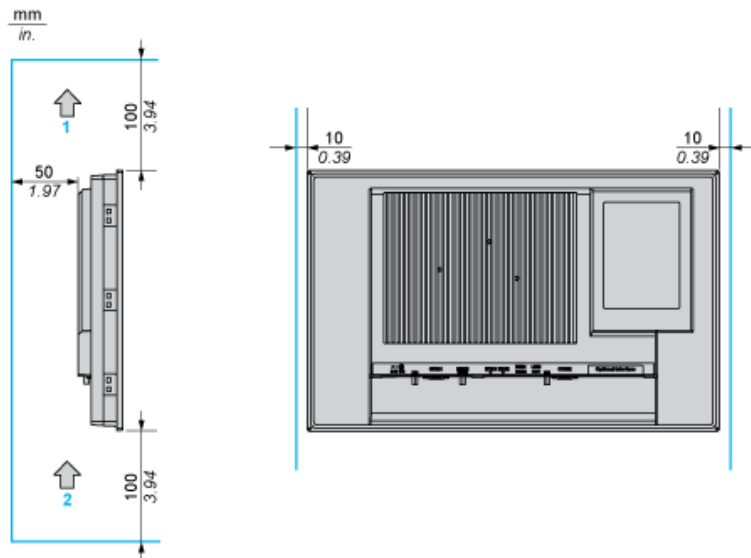
California proposition 65	WARNING: This product can expose you to chemicals including: Lead and lead compounds, which is known to the State of California to cause cancer and birth defects or other reproductive harm. For more information go to www.P65Warnings.ca.gov
REACH Regulation	REACH Declaration
REACH free of SVHC	Yes
EU RoHS Directive	Pro-active compliance (Product out of EU RoHS legal scope) EU RoHS Declaration
Mercury free	Yes
RoHS exemption information	Yes
China RoHS Regulation	China RoHS declaration
WEEE	The product must be disposed on European Union markets following specific waste collection and never end up in rubbish bins.

Dimensions



- (1) Front view
- (2) Right view

Spacing Requirements

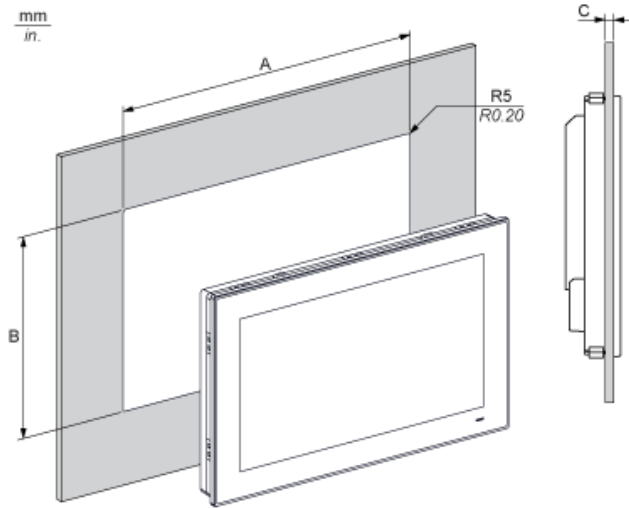


- 1 : Air out
- 2 : Air in

Mounting Orientation



Panel Cut Dimensions



A		B		C		R	
mm	in.	mm	in.	mm	in.	mm	in.
412.4	16.24	261.7	10.30	2...6	0.08...0.23	5	0.20