

HMIDT75X

EXtreme touchscreen panel, Harmony GTUX,
Series Display 15"W, Outdoor use, Rugged,
Coated



Main

Range of product	Harmony GTUX
Product or component type	EXtreme touchscreen panel
Terminal type	Touchscreen display

Complementary

Pixel resolution	1366 x 768
Touchscreen resolution	1024 x 1024
[Us] rated supply voltage	12...24 V DC power supply
Supply voltage limits	10.8...28.8 V
Power consumption in W	12.5 W
Display size	15.6 inch
Display type	Colour TFT LCD
Display resolution	1366 x 768 pixels FWXGA
Display colour	262144 colors
Luminance	1000 cd/m ²
Backlight lifespan	50000 hours
Touch panel	Single touch analogue resistive
Type of installation	Outdoor
Type of cooling	Natural convection
Inrush current	30 A
Environmental characteristic	Corrosive gas free UV resistant
Cut-out dimensions	394 (+ 1/- 0) x 250 (+ 1/- 0) mm
Width	408 mm
Height	264 mm
Depth	68 mm
Net weight	4.8 kg

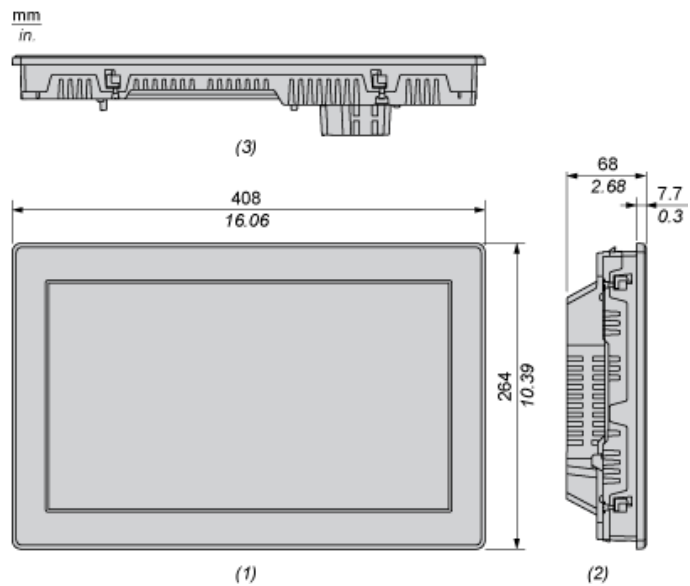
Disclaimer: This documentation is not intended as a substitute for and is not to be used for determining suitability or reliability of these products for specific user applications

Environment

IP degree of protection	IP66f IP67f Front panel: Type 4X
Standards	UL 508 ANSI/ISA 12-12-01 Class I division 2 CSA C22.2 No 213 CSA C22.2 No 142 IEC 61132-2
Product certifications	KC CE RCM CULus
Ambient air temperature for operation	-20...60 °C conforming to EN 61131-2
Ambient air temperature for storage	-20...60 °C
Pollution degree	2
Relative humidity	10...90 % non-condensing
Operating altitude	2000 m
Vibration resistance	7 mm constant amplitude (f = 5...9 Hz) conforming to EN/IEC 61131-2 9.8 m/s ² (f = 9...150 Hz) conforming to EN/IEC 61131-2
Shock resistance	147 m/s ² conforming to EN/IEC 61131-2
Electromagnetic compatibility	Electrostatic discharge immunity test level 3 conforming to EN/IEC 61000-4-2
Environmental characteristic	Corrosive gas free UV resistant

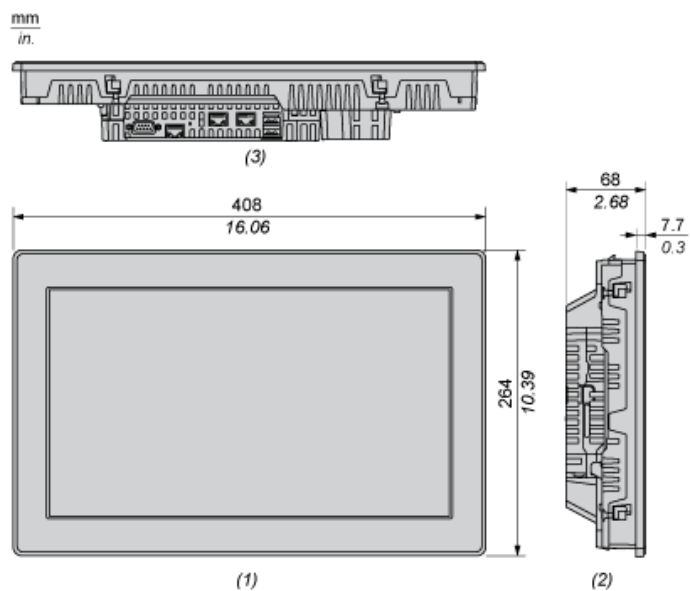
External Dimensions

Display Unit



- 1 : Front
- 2 : Left
- 3 : Bottom

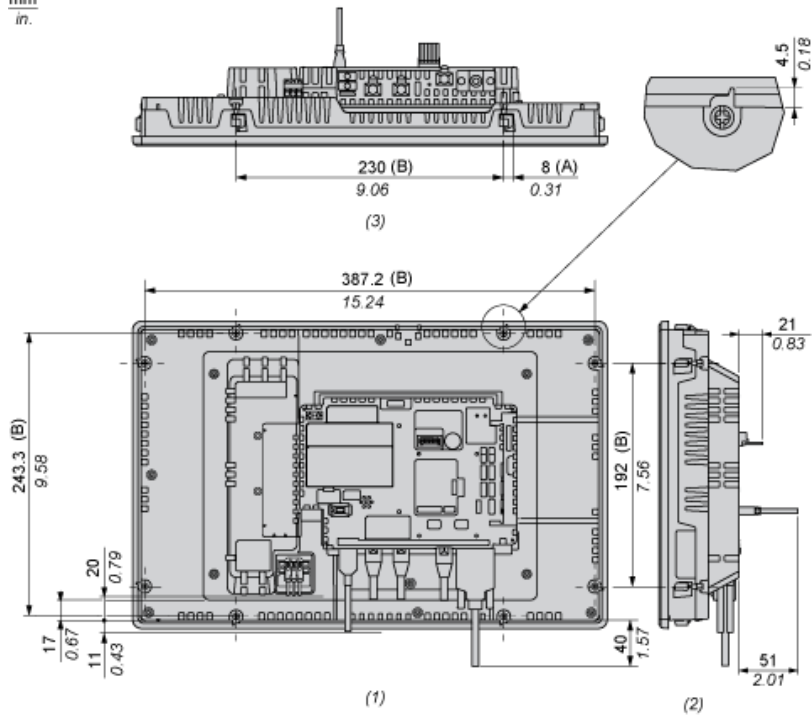
Display Unit with Box Module



- 1 : Front
- 2 : Left
- 3 : Bottom

Dimensions with Cables

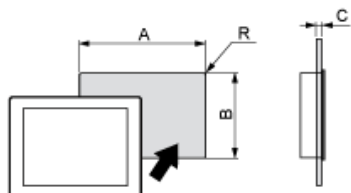
mm
in.



- (A) : Rotation area of the fastener
- (B) : Pitch of the enter of installation fastener screws
- 1 : Rear
- 2 : Right
- 3 : Bottom

Mounting and Clearance

Panel Cut Dimensions



Dimensions in mm

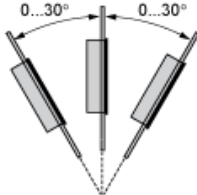
A	B	C	R
394 (+1/-0)	250 (+1/-0)	1.6...5	3 max.

Dimensions in in.

A	B	C	R
15.51 (+0.04/-0)	9.84 (+0.04/-0)	0.06...0.2	0.12 max.

Installation Requirements

Mounting Angle



When installing this product in a slanted position, the product face should not incline more than 30°.

Clearance

