

# HMIDT35X

EXtreme touchscreen panel, Harmony GTUX,  
Series Display 7"W, Outdoor use, Rugged,  
Coated



## Main

Range of product	Harmony GTUX
Product or component type	EXtreme touchscreen panel
Terminal type	Touchscreen display

## Complementary

Pixel resolution	800 x 480
Touchscreen resolution	1024 x 1024
[Us] rated supply voltage	12...24 V DC power supply
Supply voltage limits	10.8...28.8 V
Power consumption in W	12.5 W
Display size	7 inch
Display type	Colour TFT LCD
Display resolution	800 x 480 pixels WVGA
Display colour	262144 colors
Luminance	1000 cd/m <sup>2</sup>
Backlight lifespan	50000 hours
Touch panel	Single touch analogue resistive
Type of installation	Outdoor
Type of cooling	Natural convection
Inrush current	30 A
Environmental characteristic	Corrosive gas free UV resistant
Cut-out dimensions	394 (+ 1/- 0) x 250 (+ 1/- 0) mm
Width	203.6 mm
Height	148.6 mm
Depth	37 mm
Net weight	1.3 kg

Disclaimer: This documentation is not intended as a substitute for and is not to be used for determining suitability or reliability of these products for specific user applications

## Environment

IP degree of protection	IP66f IP67f Front panel: Type 4X
Standards	UL 508 ANSI/ISA 12-12-01 Class 1 division 2 CSA C22.2 No 213 CSA C22.2 No 142 IEC 61132-2
Product certifications	CULus RCM CE KC
Ambient air temperature for operation	-30...65 °C conforming to EN 61131-2
Ambient air temperature for storage	-30...70 °C
Pollution degree	2
Relative humidity	10...90 % non-condensing
Operating altitude	2000 m
Vibration resistance	7 mm constant amplitude (f = 5...9 Hz) conforming to EN/IEC 61131-2 19.6 m/s <sup>2</sup> (f = 9...150 Hz) conforming to EN/IEC 61131-2
Shock resistance	392 m/s <sup>2</sup> conforming to EN/IEC 61131-2
Electromagnetic compatibility	Electrostatic discharge immunity test level 3 conforming to EN/IEC 61000-4-2
Environmental characteristic	Corrosive gas free UV resistant

## Packing Units

Unit Type of Package 1	PCE
Number of Units in Package 1	1
Package 1 Weight	1.626 kg
Package 1 Height	13.5 cm
Package 1 width	21 cm
Package 1 Length	26 cm
Unit Type of Package 2	S04
Number of Units in Package 2	4
Package 2 Weight	6.9 kg
Package 2 Height	30 cm
Package 2 width	40 cm
Package 2 Length	60 cm
Unit Type of Package 3	P12
Number of Units in Package 3	32
Package 3 Weight	69.892 kg
Package 3 Height	135 cm
Package 3 width	80 cm
Package 3 Length	120 cm

## Offer Sustainability

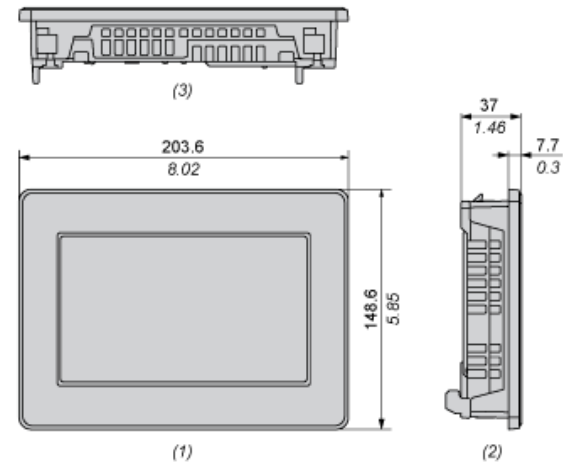
RECh Regulation	<a href="#">RECh Declaration</a>
RECh free of SVHC	Yes
EU RoHS Directive	Pro-active compliance (Product out of EU RoHS legal scope) <a href="#">EU RoHS Declaration</a>
Mercury free	Yes
RoHS exemption information	<a href="#">Yes</a>
China RoHS Regulation	<a href="#">China RoHS declaration</a>



## External Dimensions

### Display Unit

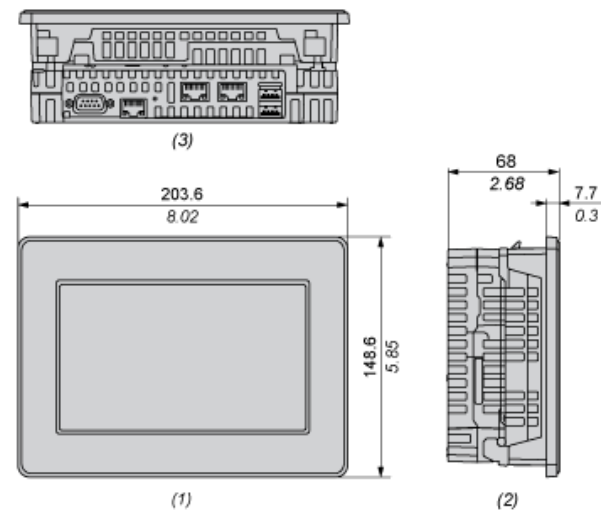
mm  
in.



- 1: Front
- 2: Left
- 3: Bottom

### Display Unit with Box Module

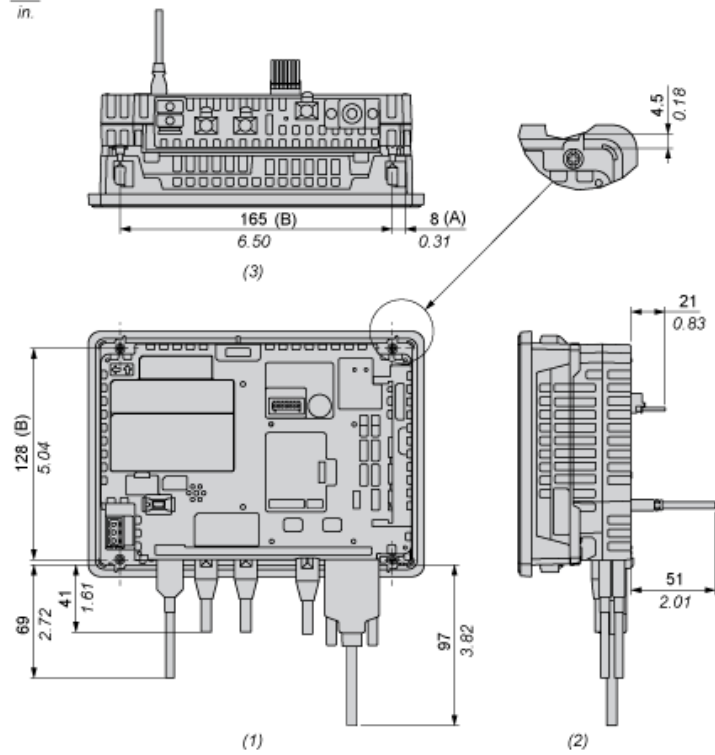
mm  
in.



- 1: Front
- 2: Left
- 3: Bottom

## Dimensions with Cables

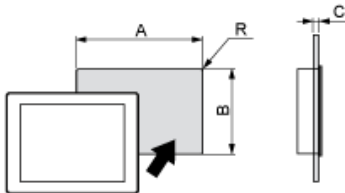
mm  
in.



- (A) : Rotation area of the fastener
- (B) : Pitch of the enter of installation fastener screws
- 1 : Rear
- 2 : Right
- 3 : Bottom

Mounting and Clearance

Panel Cut Dimensions



Dimensions in mm

A	B	C	R
190 (+1/-0)	135 (+1/-0)	1.6...5	3 max.

Dimensions in in.

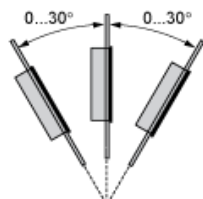
A	B	C	R
7.48 (+0.04/-0)	5.31 (+0.04/-0)	0.06...0.2	0.12 max.

---

## Installation Requirements

---

### Mounting Angle



When installing this product in a slanted position, the product face should not incline more than 30°.

## Clearance

