



## Main

Range of product	Magelis XBTN
Product or component type	Small panel with keypad
Display resolution	122 x 32 pixels
Software type	Configuration software
Software designation	Vijeo Designer Lite
Operating system	Magelis

## Complementary

Display type	Extra-bright matrix backlit LCD
Display colour	Green
Character font	ASCII Katakana Cyrillic Greek Chinese (simplified Chinese)
[Us] rated supply voltage	24 V DC
Supply	External source
Supply voltage limits	18...30 V
Residual ripple	1200 mV
Maximum power consumption in W	5 W
Number of key	8
Number of fixed keys	4
Number of customisable keys	4
Number of pages	256 alarm pages 200 application pages
Memory type	Flash
Memory capacity	512 kB
Integrated connection type	Power supply: removable screw terminal block Serial link: female SUB-D 25, asynchronous transmission mode (RS232C/ RS485) multidrop topology
Realtime clock	Access to the PLC real-time clock
Product mounting	Flush mounting
Fixing mode	By 2 spring clips
Display material	Polyester
Front material	PPT
Keypad material	Polyester
Marking	CE
Width	132 mm
Height	74 mm
Depth	43 mm
Cut-out dimensions	119.4 (+/- 0.5) x 63 (+/- 0.4) mm



## Environment

Messages display capacity	1 line of 5 characters minimum 4 lines of 20 characters maximum
Downloadable protocols	Modbus
Standards	IEC 60068-2-27 IEC 61131-2 CSA C22.2 No 14 IEC 60068-2-6 UL 508
Product certifications	UL 1604 UL Class 1 Division 2 CSA Class 1 Division 2 ATEX zone 2/22
Ambient air temperature for operation	0...55 °C
Ambient air temperature for storage	-20...60 °C
Relative humidity	0...85 % without condensation
IP degree of protection	IP20 (rear panel) conforming to IEC 60529 IP65 (front panel) conforming to IEC 60529
NEMA degree of protection	NEMA 4X front panel (outdoor use)
Shock resistance	15 gn for 11 ms

## Packing Units

Unit Type of Package 1	PCE
Number of Units in Package 1	1
Package 1 Weight	422 g
Package 1 Height	16 cm
Package 1 width	23 cm
Package 1 Length	4.5 cm

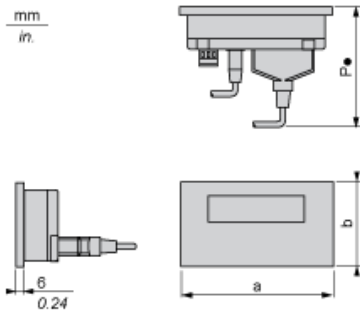
## Offer Sustainability

REACH Regulation	 <a href="#">REACH Declaration</a>
REACH free of SVHC	Yes
EU RoHS Directive	Pro-active compliance (Product out of EU RoHS legal scope)  <a href="#">EU RoHS Declaration</a>
Mercury free	Yes
RoHS exemption information	 <a href="#">Yes</a>
China RoHS Regulation	 <a href="#">China RoHS Declaration</a>
WEEE	The product must be disposed on European Union markets following specific waste collection and never end up in rubbish bins
California proposition 65	WARNING: This product can expose you to chemicals including: Lead and lead compounds, which is known to the State of California to cause cancer and birth defects or other reproductive harm. For more information go to <a href="http://www.P65Warnings.ca.gov">www.P65Warnings.ca.gov</a>

## Contractual warranty

Warranty	18 months
----------	-----------

Dimensions

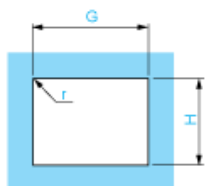


a		b		b1 (1)		P2 (2)	
mm	in.	mm	in.	mm	in.	mm	in.
132	5.19	74	3	104	4.09	104	4.09

(1) With fixing clips (included with product)

(2) P2: depth with 25-way SUB-D cable XBTZ938 (for TeSys model U and ATV 61/71 drives)

Cut-out for Flush Mounting



Panel thickness = 1.5...6 mm / 0.05...0.23 in.

H		G		r max.	
±0.4 mm	±0.02 in.	±0.5 mm	±0.02 in.	mm	in.
63	2.48	119.4	5	1.5	0.05