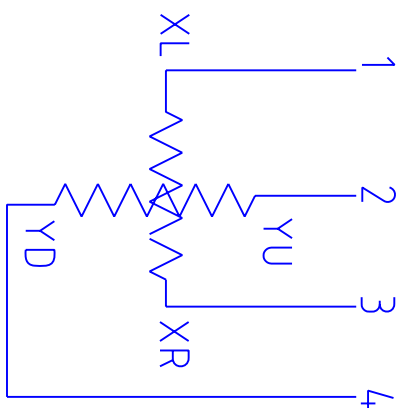


PIN ASSIGNMENT



TOLERANCE = ± 0.5mm (0.02in)  
EXCEPT WHERE INDICATED  
UNIT = mm (inch)

PART No.	DATE
AST-062A070A	July 9, 2007
TYPE	
STANDARD TOUCHSCREEN	
DIMENSIONAL DRAWING	DMC Co., Ltd.