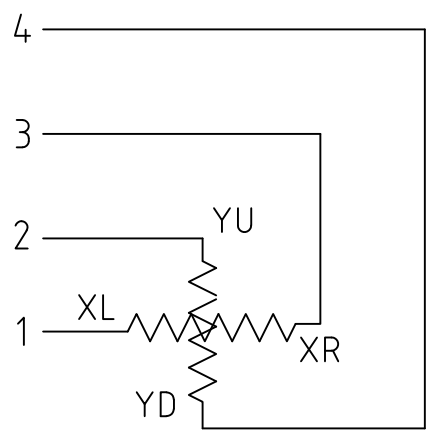


8 [0.315]
(INSULATION AREA)

SECTION A

PART No.
AST-057A

AST-057A



PIN ASSIGNMENT

LOT LABEL

PROTECTION TAPE

AIR VENT

TRACE EXPOSE

LOT LABEL

1	ITO FILM (ANTI GLARE)
2	ITO GLASS
3	TAIL
4	REINFORCEMENT FILM
5	STIFFENER
6	PROTECTION TAPE

Everything for your HMI running

TOLERANCE = ±0.5mm[0.02in]
Unit: mm[inch]

PART No.	AST-057A070A
TYPE	STANDARD TOUCHSCREEN
DIMENSIONAL DRAWING	



Touch.Keypad.Display
sales@vicpas.com
+86-15876525394