

eTOP510 Tech-Note

The UniOP eTOP Series 500 HMI products combine state-of-the-art features and top performance with an outstanding design. They are the ideal choice for all demanding HMI applications including factory and building automation.

The eTOP510 features a bright 10"4 TFT display with a fully dimmable LED backlight.

The JMobile software offers full vector graphic capabilities and plenty of connectivity options.



- 10"4 SVGA TFT color display, LED backlight
- 800x600 pixel (SVGA) resolution, 64K colors
- Resistive touchscreen
- 2 Ethernet ports with switch function
- 2 USB Host ports
- SD Card Slot
- Connection to fieldbus systems and I/O using optional plug-in modules
- Slim design. Mounting depth less than 50mm

Highlights

The eTOP Series 500 HMI panels have been designed to run the JMobile software.

- JMobile runtime included. Full compatibility with JMobile Studio.
- Full vector graphic support. Native support of SVG graphic objects. Transparency and alpha blending.
- Full object dynamics: control visibility and transparency, move, resize, rotate any object on screen. Change properties of basic and complex objects.
- TrueType fonts
- Multilanguage applications. Easily create and manage your applications in multiple languages to meet global requirements. Far East languages are supported. Tools available in JMobile Studio support easy third-party translations and help reducing development and maintenance costs of the application
- Data display in numerical, text, bargraph, analog gauges and graphic image formats.
- Rich set of state-of-the-art HMI features: data acquisition, alarm handling, scheduler and timed actions (daily and weekly schedulers, exception dates) recipes, users and passwords, e-mail and rotating menus
- Includes support for a wide range of communication drivers for Factory and Building Automation systems.
- Multiple drivers communication capability.
- Remote monitoring and control. Client-Server functionality. Mobile clients supported.
- Remote maintenance and support with VNC-based functionality.
- Off-line simulation of the HMI application with JMobile Studio.
- Powerful scripting language for automating HMI applications. Script debugging improves efficiency in application development.
- Rich gallery of symbols and objects
- Project templates
- Optional plug-in modules for fieldbus systems, I/O and controllers.
- Display backlight dimmable to 0%

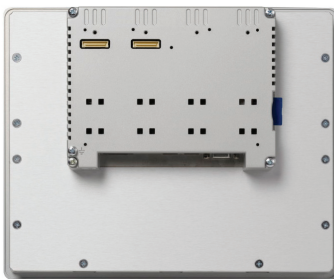
VICPAS.com

Everything for your HMI running

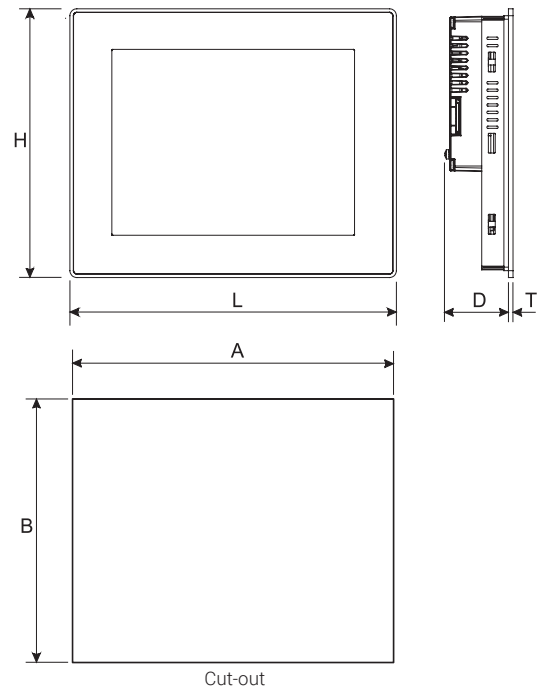
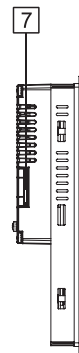
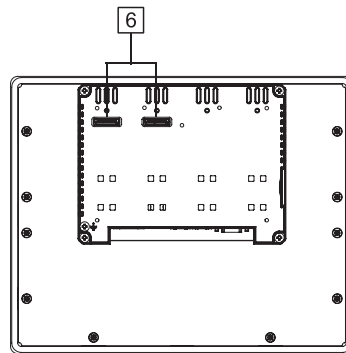
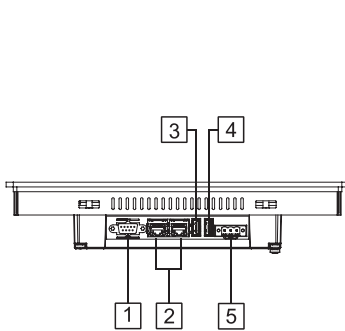
✉ sales@vicpas.com

☎ +86-15876525394

eTOP510 - Technical Data



| System Resources | |
|--------------------------------------|---|
| Display - Colors | 10'4 TFT LED - 64K |
| Resolution | 800x600, SVGA |
| Brightness | 300 Cd/m ² typ. |
| Dimming | to 0% |
| Touchscreen | Resistive |
| CPU | ARM Cortex-A8 - 1 GHz |
| Operating System | Microsoft Windows CE 6.0 |
| Flash | 256 MB |
| RAM | 256 MB DDR |
| Real Time Clock, RTC Back-up, Buzzer | Yes, Yes, Yes |
| Interface | |
| Ethernet port | 2 (port 0 - 10/100, port 1 - 10/100) with integrated Switch |
| USB port | 2 (port 1 - Host V2.0, port 2 - Host V2.0/1.1) |
| Serial port | 1 (RS-232, RS-485, RS-422, MPI software configurable) |
| SD card | Yes |
| Expansion | 2 slot for plug in modules |
| Ratings | |
| Power supply | 24 Vdc (10 to 32 Vdc) |
| Current Consumption | 1 A at 24 Vdc (max.) |
| Input Protection | Automatic |
| Battery | Rechargeable Lithium battery, not user-replaceable |
| Environment Conditions | |
| Operating Temp | -0 to +50 °C |
| Storage Temp | -20 to +70 °C |
| Operating / Storage Humidity | 5-85% RH, non condensing |
| Protection Class | IP66 (front), IP20 (rear) |
| Dimensions and Weights | |
| Faceplate LxH | 287x232 mm (11.3x9.13") |
| Cutout AxB | 276x221 mm (10.86x8.70") |
| Depth D+T | 56+4 mm (2.20+0.16") |
| Weight | Approx. 2.1 Kg |
| Approvals | |
| CE | Emission EN 61000-6-4 Immunity EN 61000-6-2 for installation in industrial environments |
| UL | cULus: UL508 |
| UL | cULus: Class I Div. 2 |
| DNV-GL | Yes |
| RCM | Yes |



- 1 Serial Port
- 2 2x Ethernet Port
- 3 USB port (version 2.0 - 1.1)
- 4 USB port (version 2.0 High speed only)
- 5 Power Supply
- 6 2x Expansion slot for Plugin module
- 7 SD Card Slot

Ordering Information

| Model | Part Number | Description |
|----------------|--------------|---|
| eTOP510-White | +ETOP510U1P1 | 10'4 TFT touch panel with Ethernet and USB interfaces. White front panel. JMobile runtime. |
| eTOP510-Silver | +ETOP510U2P1 | 10'4 TFT touch panel with Ethernet and USB interfaces. Silver front panel. JMobile runtime. |
| eTOP510-Black | +ETOP510U3P1 | 10'4 TFT touch panel with Ethernet and USB interfaces. Black front panel. JMobile runtime. |
| PROTFOIL-10-GL | R-PROT14 | Disposable protection foil for 10'4 eTOP touch panels (10 pieces). |
| PROTFOIL-10-UV | R-PROT20 | Disposable protection foil for 10'4 eTOP touch panels (10 pieces). UV resistant. |