



Main

Range of product	Magelis iPC
Product or component type	PC panel
Processor name	Intel i3 dual core 3rd generation 3217UE cache 3 MB
Chipset type	Intel BD82QM77
Display size	12 inch
Display colour	16 million colours
Luminance	375 cd/m ²
Drive type	DVD-RW
Video controller type	Intel HD Graphics 4000
Operating system	Windows 7 64 bits Ultimate multi-language
Software package	Vijeo Designer run time demo
Bezel material	Aluminium alloy

Complementary

Terminal type	Touchscreen display
Data storage equipment	>= 60 GB Flash disk SSD MLC for 2000000 h
Display type	Active matrix colour TFT LCD with LED backlight
Display resolution	1024 x 768 pixels XGA
Backlight lifespan	50000 hours at 25 °C
View angle horizontal x vertical	80 x 80°
Touch panel	Analogue resistive
Memory type	4 GB, expandable to 16 GB RAM DDR3
Type of cooling	Fanless
Integrated connection type	DVI video port bottom Ethernet port with 2 RJ45 COM1 serial link male SUB-D 9 RS232C, transmission rate: 115 kbit/s bottom COM2 serial link male SUB-D 9 RS232C, transmission rate: 115 kbit/s bottom USB 2.0 type A, transmission rate: 480 Mbit/s front panel USB 3.0 type A with 4, transmission rate: 5 Gbit/s bottom Audio output mini-jack
Port Ethernet	10BASE-T/100BASE-T/1000BASE-T
Number of slots	1 PCI 33 MHz 1 PCI express 2 Gbit/s

Disclaimer: This documentation is not intended as a substitute for and is not to be used for determining suitability or reliability of these products for specific user applications

[Us] rated supply voltage	100...240 V AC power supply
Network frequency	45...65 Hz
[In] rated current	0.6...2 A
Inrush current	20 A
Material	Die cast aluminium
Display material	Polyethylene sheet
Fixing mode	By fixing kit with enclosure door (fasteners included)
Type of installation	Indoor
Control type	ON/OFF push-button (equipment ON and OFF) Push-button (reset)
Local signalling	LED for link status LED for RUN Multi-colour LED for power Orange LED for accessing Flash disk SSD (DISK)
Function available	RAID (Redundant Array of Independent Disks)
Width	313 mm
Height	239 mm
Depth	135 mm
Cut-out dimensions	301.5 (+ 1/- 0) x 227.5 (+ 1/- 0) x 1.6...9 mm
Product weight	4.2 kg
Main type	Performance

Environment

IP degree of protection	IP65 front panel conforming to EN/IEC 60529
NEMA degree of protection	NEMA 4X front panel
Product certifications	CE C-Tick GOST CULus 508 CULus CSA 22-2 No 142 CULus HazLoc Class I Division 2 UL 1604 CULus HazLoc Class I Division 2 ANSI/ISA 12-12-01 CULus HazLoc Class I Division 2 CSA 22-2 No 213
Pollution degree	2 EN/IEC 61131-2
Electromagnetic compatibility	Immunity to electromagnetic emissions class A EN 55022 Immunity to electromagnetic emissions class A EN 55011 Immunity to high frequency interference EN/IEC 61131-2 Immunity to high frequency interference EN/IEC 61000-4-x
Ambient air temperature for operation	0...50 °C vertical installation conforming to UL 508 0...45 °C vertical installation when using Gigabit Ethernet with HDD storage device conforming to UL 508 0...50 °C vertical installation conforming to IEC 61132-2 0...45 °C vertical installation when using Gigabit Ethernet with HDD storage device conforming to IEC 61132-2
Ambient air temperature for storage	-20...60 °C conforming to IEC 60068-2-14 test Na -20...60 °C conforming to IEC 60068-2-2 test Bb
Relative humidity	10...85 % non-condensing conforming to EN/IEC 60068-2-78 10...85 % non-condensing conforming to EN/IEC 60068-2-30
Operating altitude	2000 m conforming to EN/IEC 61131-2
Vibration resistance	1.75 mm 2...9 Hz continuous conforming to EN/IEC 60068-2-6 Fc 3.5 mm 2...9 Hz intermittently conforming to EN/IEC 60068-2-6 Fc 0.5 gn 9...200 Hz continuous conforming to EN/IEC 60068-2-6 Fc 1 gn 9...200 Hz intermittently conforming to EN/IEC 60068-2-6 Fc 1 mm 3...13.2 Hz continuous conforming to EN/IEC 60068-2-6 Fc 0.7 gn 13.2...100 Hz continuous conforming to EN/IEC 60068-2-6 Fc
Shock resistance	15 gn 11 ms conforming to IEC 60068-2-27, Ea tests

Offer Sustainability

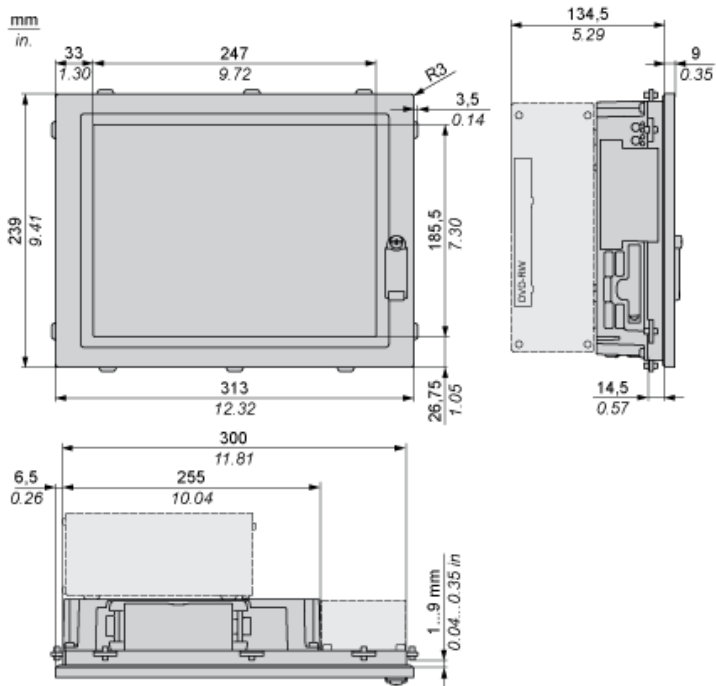
RoHS (date code: YYWW)	Compliant - since 1426 - Schneider Electric declaration of conformity Schneider Electric declaration of conformity
------------------------	---

REACH

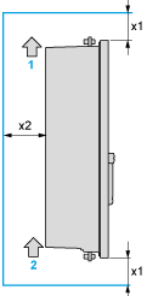
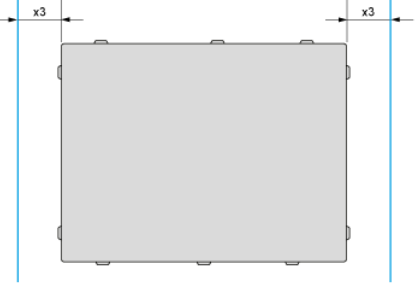
Reference not containing SVHC above the threshold

Reference not containing SVHC above the threshold

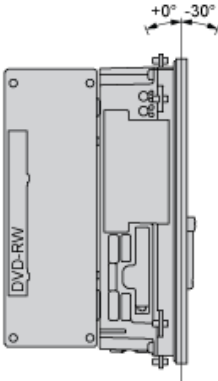
Dimensions



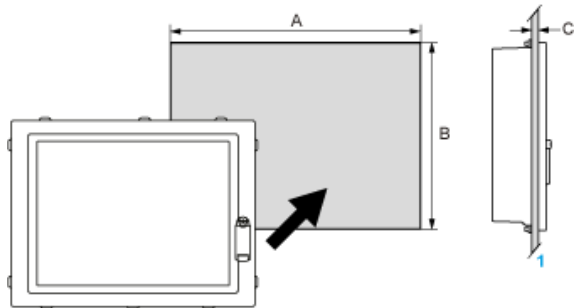
Spacing Requirement

Top, Bottom and Rear Sides	Left and Right Sides
 <p>1 Air out 2 Air in</p>	

Mounting Orientation



Panel Cut Dimensions



1 Installation panel

A	B	C
301.5 +1/0 mm (11.87 +0.04/0 in.)	227.5 +1/0 mm (8.96 +0.04/0 in.)	1.6...9 mm (0.06...0.35 in.)