

HMIS85

5in7 small touchscreen display front module Backlight LED Color TFT LCD

Product availability : Stock - Normally stocked in distribution facility

Price* : 503.00 USD



Main

Range of product	Magelis SCU
Product or component type	Small touchscreen display HMI
Display size	5.7 inch
Pixel resolution	320 x 240 pixels QVGA

Complementary

Display type	Colour TFT LCD backlit LED
Touch panel	Analogue
Backlight lifespan	50000 hours with 65536 colours
Brightness	16 levels via touch panel
View angle horiz x vert	60° left 60° right 40° top 60° bottom
Character font	ASCII Chinese (simplified Chinese) Japanese (ANK, Kanji) Korean Taiwanese (traditional Chinese)
Width	6.42 in (163 mm)
Depth	5.09 in (129.4 mm)
Product weight	0.89 lb(US) (0.405 kg)

Ordering and shipping details

Category	22569 - MAGELIS XBT-GT (AND XBT-G)
Discount Schedule	MC2
GTIN	00785901152996
Nbr. of units in pkg.	1
Package weight(Lbs)	1.53
Returnability	Y
Country of origin	CN

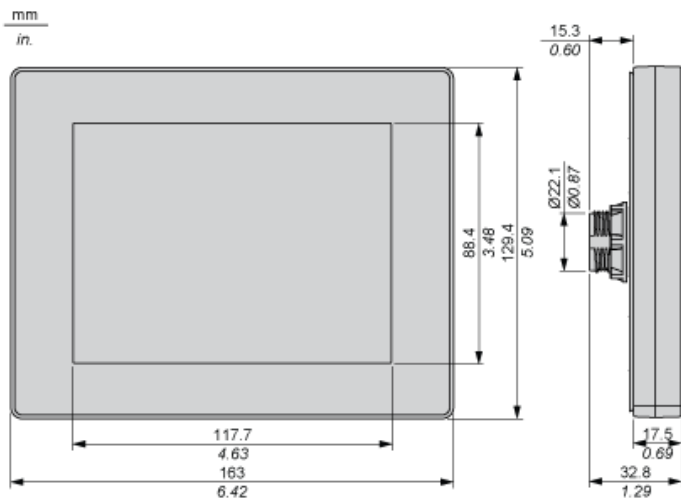
Offer Sustainability

RoHS (date code: YYWW)	Compliant - since 1350 - Schneider Electric declaration of conformity Schneider Electric declaration of conformity
REACH	Reference not containing SVHC above the threshold Reference not containing SVHC above the threshold
California proposition 65	WARNING: This product can expose you to chemicals including:
----- Substance 1	Lead and lead compounds, which is known to the State of California to cause cancer and birth defects or other reproductive harm.
----- More information	For more information go to www.p65warnings.ca.gov

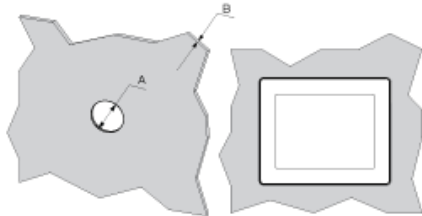
Contractual warranty

Warranty period	18 months
-----------------	-----------

Dimensions of 5.7-inches Display Module

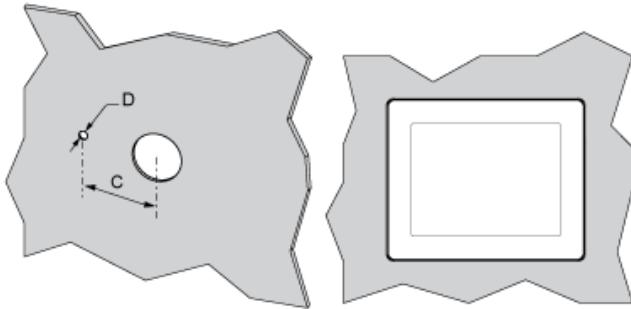


Mounting Without an Anti-Rotation Tee



A	B (1)	B (2)
$22.50^{0/-0.30}$ mm $(0.88^{0/-0.01}$ in.)	1.5...6 mm (0.06...0.23 in.)	3...6 mm (0.11...0.23 in.)

Mounting With an Anti-Rotation Tee



C	D
$30^{0/-0.20}$ mm ($1.18^{0/-0.0007}$ in.)	$4^{0/-0.20}$ mm ($0.15^{0/-0.0007}$ in.)