



### Main

Range of product	Magelis STO & STU
Product or component type	Touch panel screen
Software designation	Vijeo XD
Operating system	Magelis

### Complementary

Display size	4.3 inch
Display type	Colour TFT LCD
Display colour	65536 colours
Display resolution	480 x 272 pixels
Touch panel	Analogue
Backlight lifespan	50000 hours with white
Brightness	16 levels via touch panel
Character font	Taiwanese (traditional Chinese) Japanese (ANK, Kanji) Korean Cyrillic ASCII (European characters) Chinese (simplified Chinese)
[Us] rated supply voltage	12...24 V DC - 10...20 %
Power consumption in W	7.5 W
Number of pages	8999
Memory description	Application memory, 26 MB Back up of data, 512 kB
Integrated connection type	1 USB 2.0 type mini B 1 USB 2.0 type A 1 RJ45 connector serial link with RS232C/RS485 interface at 2400...115200 bps
Supply	External source
Realtime clock	With RTC-battery set (optional)
Downloadable protocols	Third party protocols Modbus

Disclaimer: This documentation is not intended as a substitute for and is not to be used for determining suitability or reliability of these products for specific user applications

Range compatibility	Mitsubishi Siemens Allen-Bradley Omron
Fixing mode	By 2 installation fasteners on 1.5 to 6 mm thick panel
Enclosure material	PPT
Front material	Plastic
Cut-out dimensions	77.5 x 112.5 mm 66 x 105 mm (with mounting adaptor)
Product weight	0.22 kg

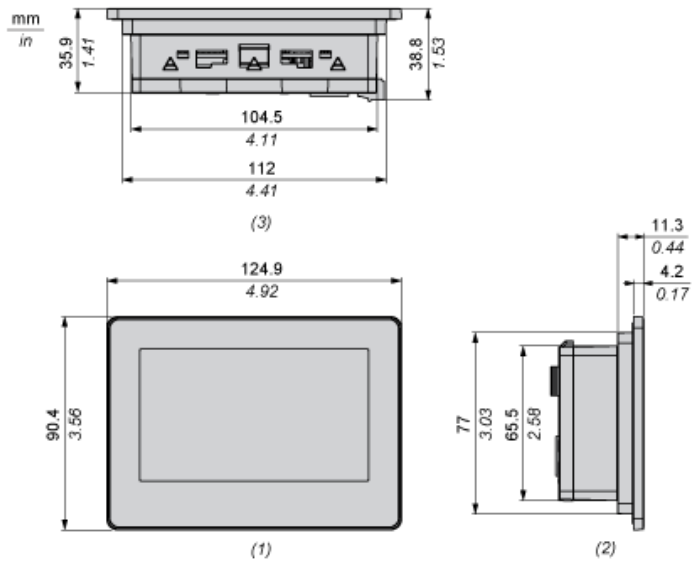
## Environment

Standards	EN 61000-6-4 CSA C22.2 No 142 ANSI/ISA 12.12.01 CSA C22.2 No 213 EN 61000-6-2 EN 61131-2 UL 61010-1 UL 61010-2-201
Product certifications	UL KCC CUL C-Tick CE ATEX zone 2/22
Directives	2002/96/EC - WEEE directive 2002/95/EC - RoHS directive 1907/2006/EC - REACH directive
Ambient air temperature for operation	0...50 °C
Ambient air temperature for storage	-20...60 °C
Relative humidity	10...90 % without condensation
Operating altitude	2000 m
IP degree of protection	IP20 (rear panel) IP65f (front panel)
NEMA degree of protection	NEMA 4X/13 front panel (indoor use)
Shock resistance	15 gn for 11 ms conforming to IEC 61131-2
Vibration resistance	1 gn (f = 5...150 Hz) conforming to IEC 61131-2 3.5 mm constant amplitude (f = 5...150 Hz) conforming to IEC 61131-2
Electromagnetic compatibility	Resistance to radiated electromagnetic fields : 10 V/m 80 MHz...2.7 GHz Resistance to electrostatic discharge : 8 kV air discharge conforming to EN 61000-4-2 level 3 Resistance to electrostatic discharge : 6 kV direct contact conforming to EN 61000-4-2 level 3

## Offer Sustainability

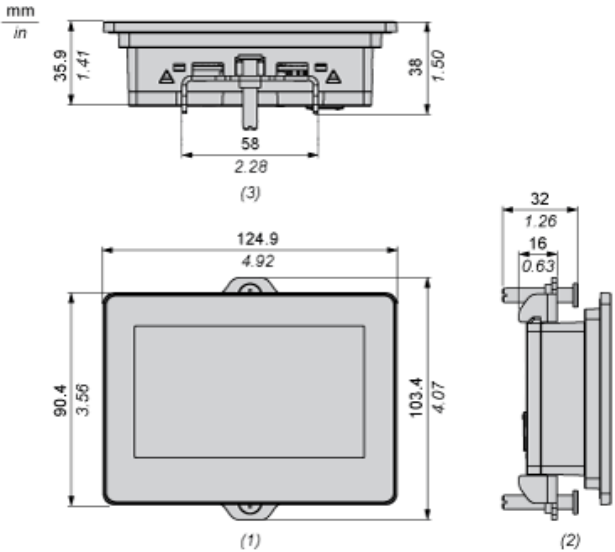
Sustainable offer status	Green Premium product
RoHS (date code: YYWW)	Compliant - since 1601 - Schneider Electric declaration of conformity <a href="#">Schneider Electric declaration of conformity</a>
REACH	Reference not containing SVHC above the threshold <a href="#">Reference not containing SVHC above the threshold</a>
Product environmental profile	Available <a href="#">Product Environmental Profile</a>
Product end of life instructions	Available <a href="#">End of Life Information</a>

## External Dimensions



- 1 Front
- 2 Left
- 3 Bottom

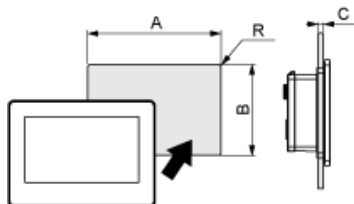
Dimensions with Installation Fasteners



- 1 Front
- 2 Left
- 3 Bottom

Mounting

Panel Cut-out Dimensions



Dimensions in mm

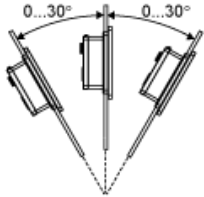
Description	A	B	C	R
Without adapter	112.5	77.5	1.5...6	3 max.
With adapter	105	66	1.5...6	3 max.

Dimensions in in.

Description	A	B	C	R
Without adapter	4.43	3.05	0.06...0.24	0.12 max.
With adapter	4.13	2.6	0.06...0.24	0.12 max.

## Installation Requirements

### Mounting Angle



When installing this product in a slanted position with an incline more than 30°, the ambient temperature must not exceed 40 °C (104 °F). You may need to use forced air cooling (fan, A/C) to ensure the ambient operating temperature is 40 °C or less (104 °F or less).

### Clearance

