



Main

Range of product	Magelis Easy GXU
Product or component type	Advanced touchscreen panel
Display type	LCD touch screen
Display colour	65536 colours
Display resolution	800 x 480 pixels WVGA
Display size	10.1 inch

Complementary

Backlight lifespan	20000 hours
[Us] rated supply voltage	24 V DC
Software designation	Vijeo Designer Basic (configuration software)
Memory description	Internal, 32 MB for application Internal DDR, 128 MB Internal, 128 kB for backup
Integrated connection type	USB type mini B COM1 serial link : 9-way male SUB-D, RS422/RS485 protocol
Cut-out dimensions	255 x 185 mm

Environment

Quality labels	CE
Ambient air temperature for operation	0...50 °C
Ambient air temperature for storage	-20...60 °C
IP degree of protection	IP65 (front panel)

Offer Sustainability

Sustainable offer status	Green Premium product
RoHS (date code: YYWW)	Compliant - since 1501 - Schneider Electric declaration of conformity

 [Schneider Electric declaration of conformity](#)

REACH

Reference not containing SVHC above the threshold
[Reference not containing SVHC above the threshold](#)

Product environmental profile

Available
 [Product Environmental Profile](#)

Product end of life instructions

Available
 [End of Life Information](#)

Dimensions

External Dimensions

- (1) Front
- (2) Right
- (3) Bottom

Installation with Installation Fasteners

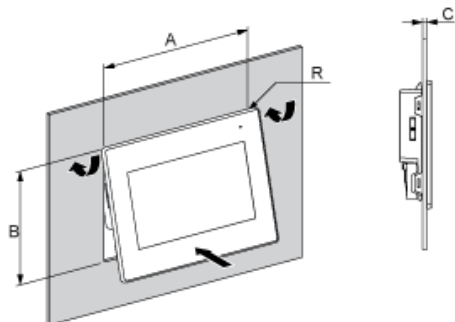
- (1) Rear
- (2) Right
- (3) Left
- (4) Top
- (5) Bottom

Dimensions with Cables

- (1) Rear
- (2) Right
- (3) Left

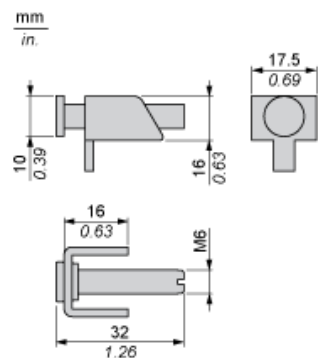
Mounting

Panel Cut Dimensions



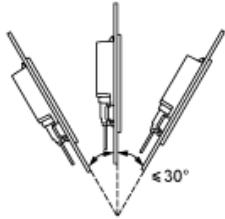
A		B		C		R	
mm	in.	mm	in.	mm	in.	mm	in.
255 ^{±1}	10.04 ^{±0.04}	185 ⁺¹	7.28 ^{+0.04}	1...5	0.04...0.19	3 max	0.12 max.

Installation Fasteners Dimensions



Installation Requirements

Mounting Angle



When installing the panel in a slanted position, and the panel face inclines more than 30°, the ambient temperature must not exceed 40 °C (104 °F).

Clearance

mm
in.

