



### Main

Range of product	Magelis GXO
Product or component type	Touch panel screen
Display size	7 inch
Display type	Colour TFT LCD
Display colour	65536 colours
Pixel resolution	800 x 480
Brightness	8 levels via touch panel
Memory description	Flash (NAND) 16 MB Application run (SDRAM) 64 MB Back up of data (Non-Volatile SRAM (NVSRAM)) 128 kB
Type of cooling	Natural

### Complementary

Integrated connection type	COM1 serial link - 1 port(s) - male SUB-D 9 - RS232C - 2400...115200 bps COM2 serial link - 1 port(s) - male SUB-D 9 - RS422/RS485 - 2400...187500 bps USB type A - 1 port(s) - USB type A USB type mini B - 1 port(s) - USB type B
Software package	Vijeo Designer software 6.0
[Us] rated supply voltage	24 V DC +/- 20%
Inrush current	<= 50 A
Power consumption in W	<= 7 W
Height	153.2 mm
Width	207.8 mm
Depth	59.8 mm

### Environment

IP degree of protection	IP65 for front panel conforming to IEC 60529 IP20 for rear panel conforming to IEC 60529
Pollution degree	2
Electromagnetic compatibility	Radiated radio-frequency electromagnetic field immunity test 10 V/m, 80 MHz...1 GHz

Radiated radio-frequency electromagnetic field immunity test 3 V/m, 1.4 MHz...2 GHz  
 Radiated radio-frequency electromagnetic field immunity test 1 V/m, 2...3 GHz  
 Electrical fast transient 2 kV for power ports conforming to EN/IEC 61131-2 zone B  
 Electrical fast transient 1 kV for other ports conforming to EN/IEC 61131-2 zone B  
 High-energy surges 1 kV for differential mode conforming to IEC 61000-4-5  
 High-energy surges 2 kV for common mode conforming to IEC 61000-4-5

Ambient air temperature for operation	0...50 °C
Ambient air temperature for storage	-20...60 °C
Maximum pressure	800...1114 hPa
Relative humidity	85 %
Vibration resistance	1 gn (f=5...150 Hz) on the 3 axes conforming to IEC 60068-2-6
Shock resistance	15 gn (duration=11 ms) conforming to IEC 60068-2-27
Resistance to electrostatic discharge	4 kV on contact conforming to EN/IEC 61131-2 8 kV on air conforming to EN/IEC 61131-2

## Offer Sustainability

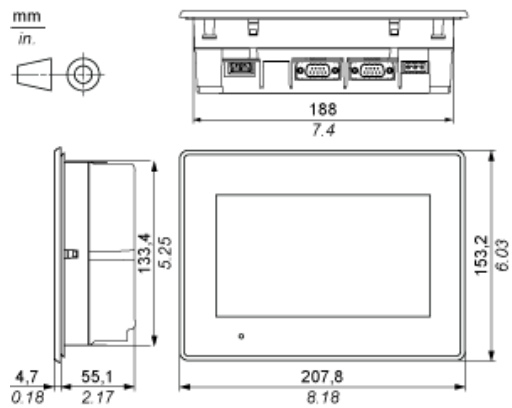
Sustainable offer status	Green Premium product
RoHS (date code: YYWW)	Compliant - since 1143 - Schneider Electric declaration of conformity <a href="#">Schneider Electric declaration of conformity</a>
REACH	Reference not containing SVHC above the threshold <a href="#">Reference not containing SVHC above the threshold</a>
Product environmental profile	Available <a href="#">Product Environmental Profile</a>
Product end of life instructions	Available <a href="#">End of Life Information</a>

## Contractual warranty

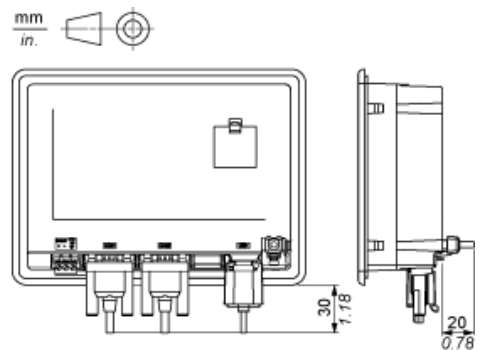
Warranty period	18 months
-----------------	-----------

Dimensions

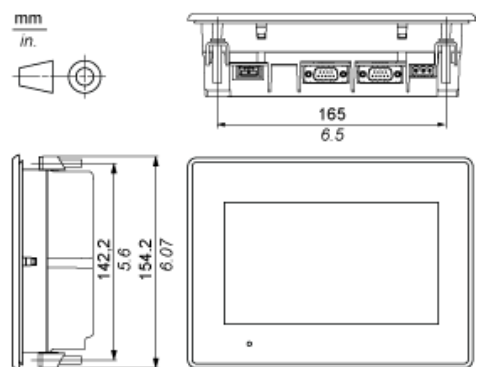
Panel Dimensions



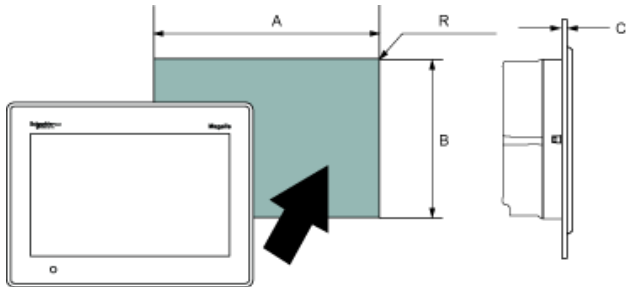
Dimensions with Cables



Dimensions with Screw Fasteners



## Panel Cut-out



A	B	C (Panel Thickness)	R
190 mm (7.48 in) ± 1 mm (0.04 in)	135 mm (5.31 in) ±0.7 mm (0.03 in)	1.5...10 mm (0.06...0.39 in)	3 mm (0.12 in) max.

---

Air Circulation

---

---

Installation in a Slanted Panel

---

