



## Main

Range of product	Magelis XBT GC, GT/GK with control
Product or component type	Small touch HMI controller
Display size	3.8 inch
Display type	Backlit monochrome STN LCD
Display colour	8 levels of grey Amber or red
Pixel resolution	320 x 240 pixels QVGA
Touch panel	Analogue
[Us] rated supply voltage	24 V DC
Supply	External source
Supply voltage limits	19.2...28.8 V
Enclosure material	PPT

## Complementary

Backlight lifespan	10000 hours (red) 50000 hours (amber)
Brightness	8 levels
Contrast	8 levels via touch panel
Character font	ASCII Chinese (simplified Chinese) Japanese (ANK, Kanji) Korean Taiwanese (traditional Chinese)
Inrush current	<= 30 A
Power consumption in W	18 W
Local signalling	1 LED (green) for normal operation
Number of pages	Limited by internal memory capacity
Software designation	SoMachine
Operating system	Magelis

Processor name	CPU RISC
Processor frequency	131 MHz
Memory description	Application memory, 16 MB Back up of data, 512 kB
Integrated connection type	1 USB port (V1.1) USB type A Power supply removable screw terminal block
I/O expansion capacity	2 M238 modules
Realtime clock	Built-in
Fixing mode	By 4 screw clips (1.6...5 mm thick panel)
Marking	CE
Discrete input number	12
Discrete input voltage	24 V
Discrete input voltage type	DC
Number of common point	11/10
Input voltage limits	20.4...28.8 V
Discrete input logic	Sink
Discrete input current	5 mA on other I0.i 6.5 mA on I0.0, I0.2, I0.4, I0.6
Input impedance	3.7 kOhm on I0.0, I0.2, I0.4, I0.6 4.7 kOhm on other I0.i
Filter time	0.5...20 ms at state 0 0.5...20 ms at state 1
Isolation between channels	None
Discrete output number	6
Discrete output type	Transistor
Discrete output voltage	24 V
Output voltage limits	20.4...28.8 V
Discrete output logic	Sink
Discrete output current	0.2 A
Current per output common	1.2 A
Response time	5 µs at state 0 Q0.0...Q0.3 5 µs at state 1 Q0.0...Q0.3 500 µs at state 0 other Q0.i 500 µs at state 1 other Q0.i
[Ures] residual voltage	<= 0.5 V at state 1
Leakage current	0.1 mA
Short-circuit protection	2.5 A fuse
Height	104 mm
Width	130 mm
Depth	76.5 mm
Product weight	0.4 kg

## Environment

Immunity to microbreaks	<= 10 ms
Standards	EN 61131-2 FCC Class A IEC 61000-6-2 UL 1604 UL 508 CSA C22.2 No 14
Product certifications	CSA C-Tick cULus UL class 1 Div2 T4A ou T5
Ambient air temperature for operation	0...50 °C
Ambient air temperature for storage	-20...60 °C
Relative humidity	10...90 % without condensation

Operating altitude	<= 2000 m
IP degree of protection	IP20 (rear panel) conforming to IEC 60529 IP65 (front panel) conforming to IEC 60529
NEMA degree of protection	NEMA 4X (front panel)
Shock resistance	147 m/s <sup>2</sup> conforming to IEC 60068-2-27
Vibration resistance	+/- 3.5 mm (f = 5...9 Hz conforming to IEC 60068-2-6 1 gn (f = 9...150 Hz conforming to IEC 60068-2-6
Resistance to electromagnetic fields	Conforming to IEC 61000-4-3

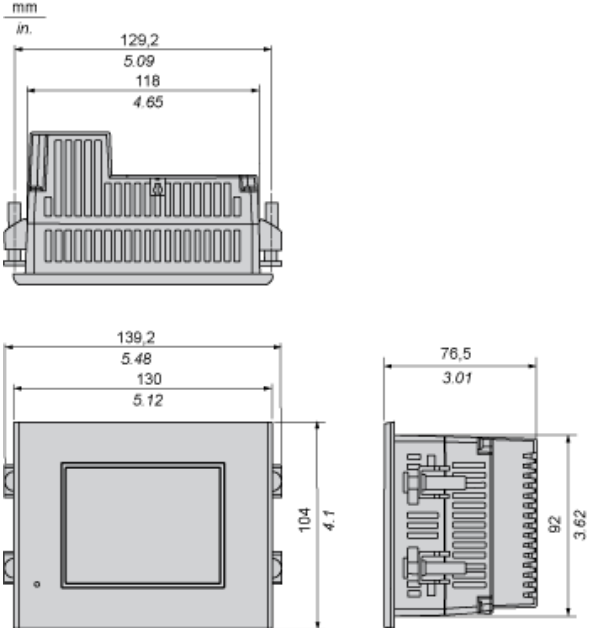
### Offer Sustainability

Sustainable offer status	Green Premium product
RoHS (date code: YYWW)	Compliant - since 0836 - Schneider Electric declaration of conformity <a href="#">Schneider Electric declaration of conformity</a>
REACH	Reference not containing SVHC above the threshold <a href="#">Reference not containing SVHC above the threshold</a>
Product environmental profile	Available
Product end of life instructions	Need no specific recycling operations

### Contractual warranty

Warranty period	18 months
-----------------	-----------

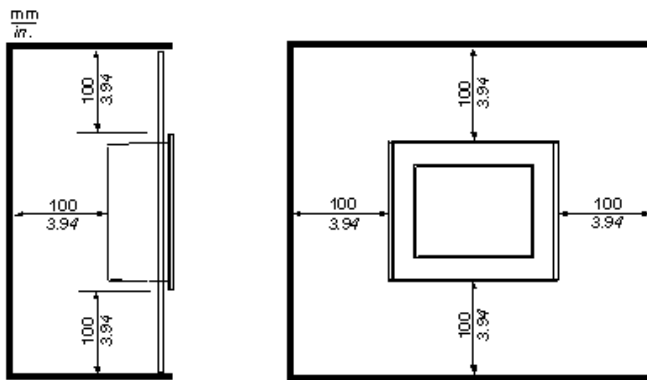
Dimensions



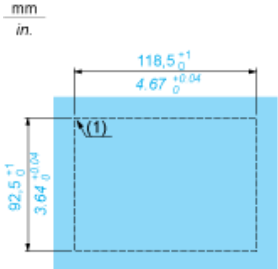
## Clearance

### Installation Requirements

For easier maintenance, operation and improved ventilation, be sure to install the unit at least 100 mm (3.94 in) away from adjacent structures and other equipment.



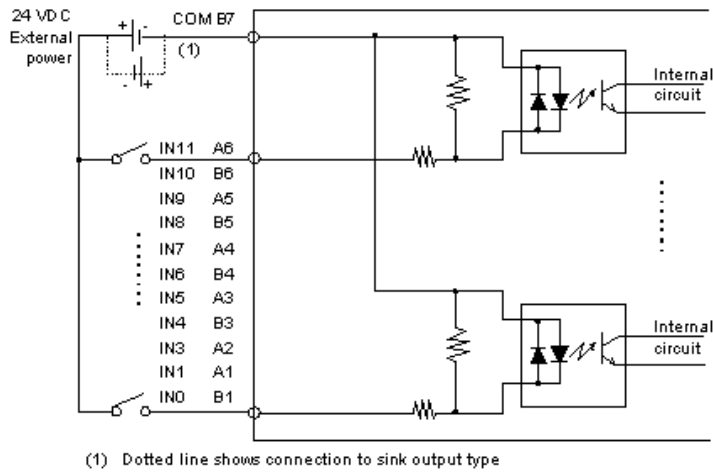
Panel Cut-out Dimensions



(1) r<3

Wiring Diagrams

Input Circuit



Output Circuit (Sink)

