

# MAGELiS™ XBT-HM Message Displays

## MAGELiS XBT-HM features also include:

- 4 line by 20 character or 8 line by 40 character display
- high visibility fluorescent or cost-effective LCD technology
- keypad versions available with or without data entry keys and up to 4 function keys
- LEDs on function keys to guide and prompt operator
- customizable front panel design
- FLASH-EEPROM capability for remote loading of application programs and protocols
- approximately 600 application pages
- 256 possible alarm pages
- terminal simulation tool in software for verifying application programs with PC prior to PLC/terminal installation
- 3 message languages and 5 system languages resident for international users
- UL listed, CSA certified and with CE marking
- conformance to European Health and Safety Directive (89/655/EEC)
- worldwide availability and fast delivery
- import bit maps
- library of objects



## Compact, Easy-to-Use, Low-Cost Solutions

MAGELiS XBT-HM message displays are an excellent match for your PLC, providing optimal functionality in a matrix level product.

Combining up-to-date features with simple set-up and ease of use design techniques, the XBT-HM will communicate with automation products from a variety of manufacturers. The MAGELiS display offers a compact and economical solution in allowing data access and operator input meeting requirements for various applications.

MAGELiS display units connect directly to a PLC reducing programming within the PLC. A variety of PLC protocols are available and can be downloaded from your PC to the MAGELiS unit.

The Windows™-based configuration software allows you to easily create and modify messages and alarms. An historic alarm event feature enables you to retrieve alarms in the order recorded for display viewing or printing.

Fluorescent and LCD screens are available with a resolution of 240x60 pixels. Message display is available without keys, with 5 service keys, or with 4 function keys and LEDs. The XBT-HM can provide animated objects, alphanumerics, bar graphs, gauges, enumerated lists, and imported bitmaps.

Designed to go wherever a push button or graphic display is needed, the XBT-HM displays are rugged and dependable, providing an economical, multifunctional, and compact matrix interface.

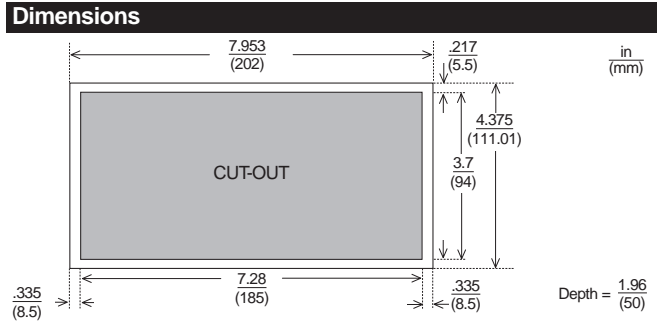
# Specifications

Environment	
<b>Temperature</b>	
Operating	32°F to 113°F (0°C to 45°C)
Storage	-4°F to 140°F (-20°C to 60°C)
<b>Degree of Protection</b>	UL Type 4, NEMA Type 4 and IP 65 conforming to UL 508 and IEC 529
<b>Electromagnetic Disturbance</b>	Conforming to IEC 1132-2/EN 61131-2


Mechanical Specifications	
<b>Mounting</b>	Flush-mounted, by 4 or 6 pressure-type fasteners (supplied) on .04 to .24 in (1.6 to 6 mm) thick panel
<b>Enclosure</b>	Polyphenylene oxide 10% glass fiber impregnated (PPO GFN1 SE1)
<b>Front Panel</b>	Hardened polyester anti-UV treated (Autoflex EB AG)
<b>Weight</b>	1.3 lbs/0.6 kg

Electrical Specifications	
<b>Display</b>	LCD monochrome matrix backlit (240x64 pixels) height 5.3 or 10.6 mm
<b>Power Supply</b>	
Voltage	24 VDC
Voltage Limits	18-30 V
Ripple	5% maximum
<b>Consumption</b>	15 W

Operating Characteristics	
<b>Signaling LEDs</b>	
Communication	1
Key Actuation	1
Function Keys	4 optional
Service Keys	2 optional
<b>Memory</b>	
Flash EEPROM	384 kb
Application Pages	600 approximately
Alarm Pages	256
<b>Transmission Medium</b>	Asynchronous serial link RS232/RS485/RS422
<b>Real-Time Clock</b>	Access to programmable controller real-time clock
<b>Printer Port</b>	Asynchronous serial link RS232
<b>Power Supply Connection</b>	3-pin plug-in terminal block
<b>Data Connection</b>	
Serial Port	SUB-D 25-pin female connector
Printer Port	SUB-D 9-pin male connector
<b>Configuration Software</b>	Windows™-compatible program XBT-L100_U (sold separately)
<b>Downloadable Protocols</b>	Popular communication protocols available (sold separately)



Product Selection							
XBT-HM Matrix Screen Terminals							
Func	Number of keys		With printer link	# of lines # of characters	Type of display	Power supply --- V	Part #
	Serv	Num					
0	0	0	no	8 X 40	LCD Backlit	24	XBT-HM007010
4	1	0	no	8 X 40	LCD Backlit	24	XBT-HM027010
0	5	0	no	8 X 40	LCD Backlit	24	XBT-HM017010
0	5	0	yes	8 X 40	LCD Backlit	24	XBT-HM017110

Square D and  are registered trademarks of Square D Company.

MAGELIS is a trademark of Schneider Electric, S.A.

Windows is a registered trademark of Microsoft Corporation.

Bulletin No. 9001HO9901



**SQUARE D**  
Schneider Electric

©1999 Square D Company. All rights reserved.